

Cino XS PB E2 (Standard) Water flow diagram

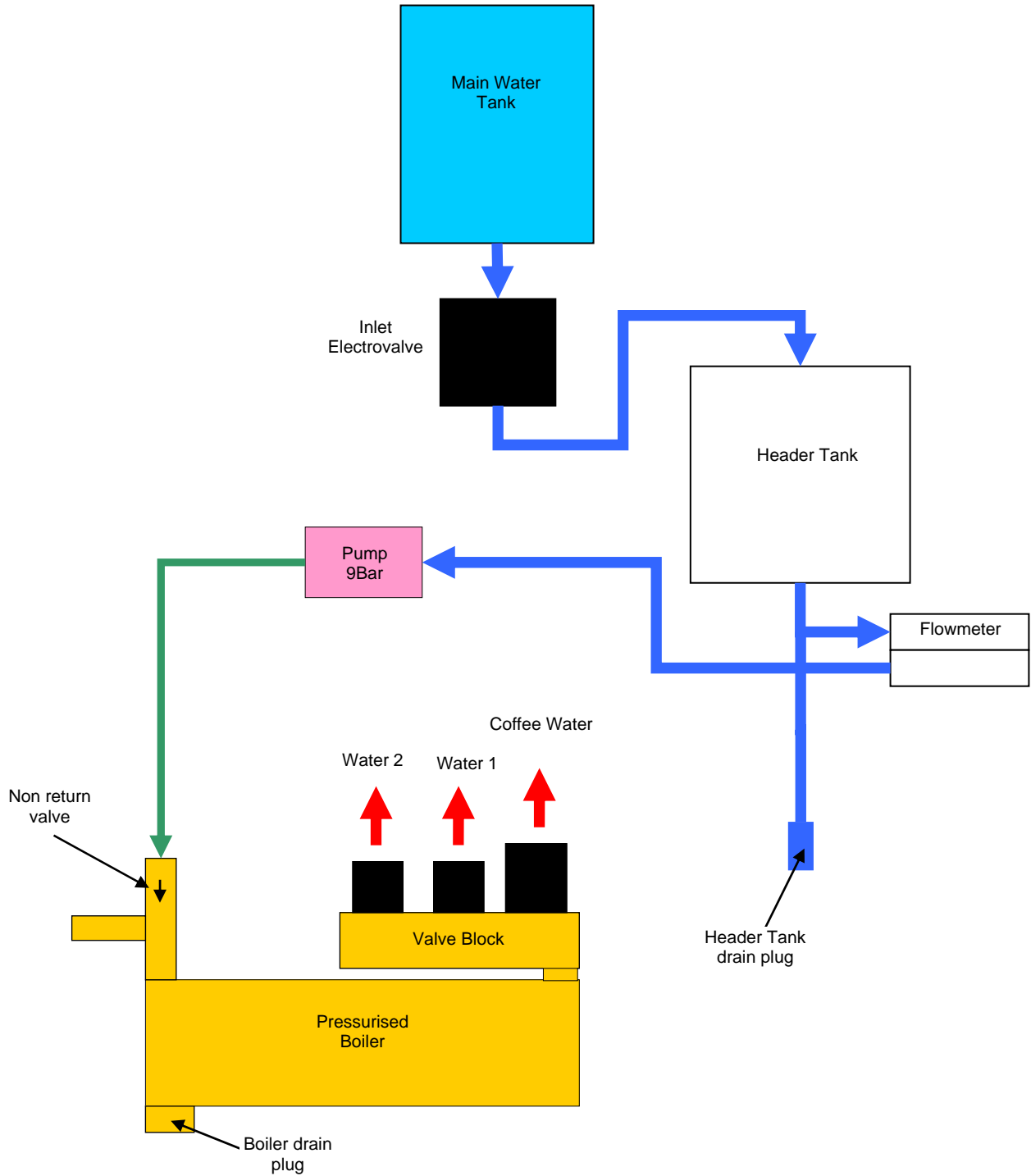


Fig. 1 Fresh Water

TECHNICAL INFORMATION SHEET

No. 0604-01
7-April-06

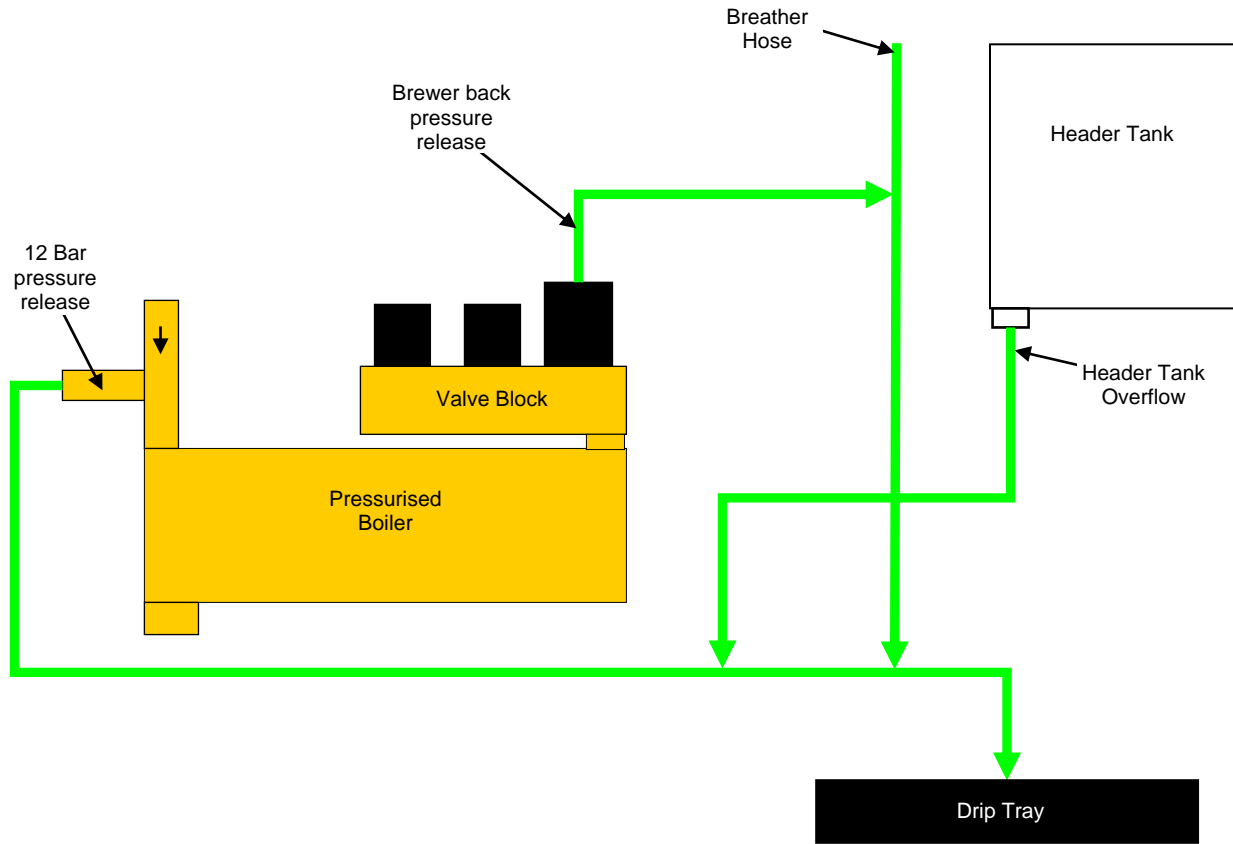


Fig.2 Waste Water