

# TECHNICAL INFORMATION SHEET

No. 0604-02

7-April-06

## Cino XS PB E3 (Plus) Water flow diagram

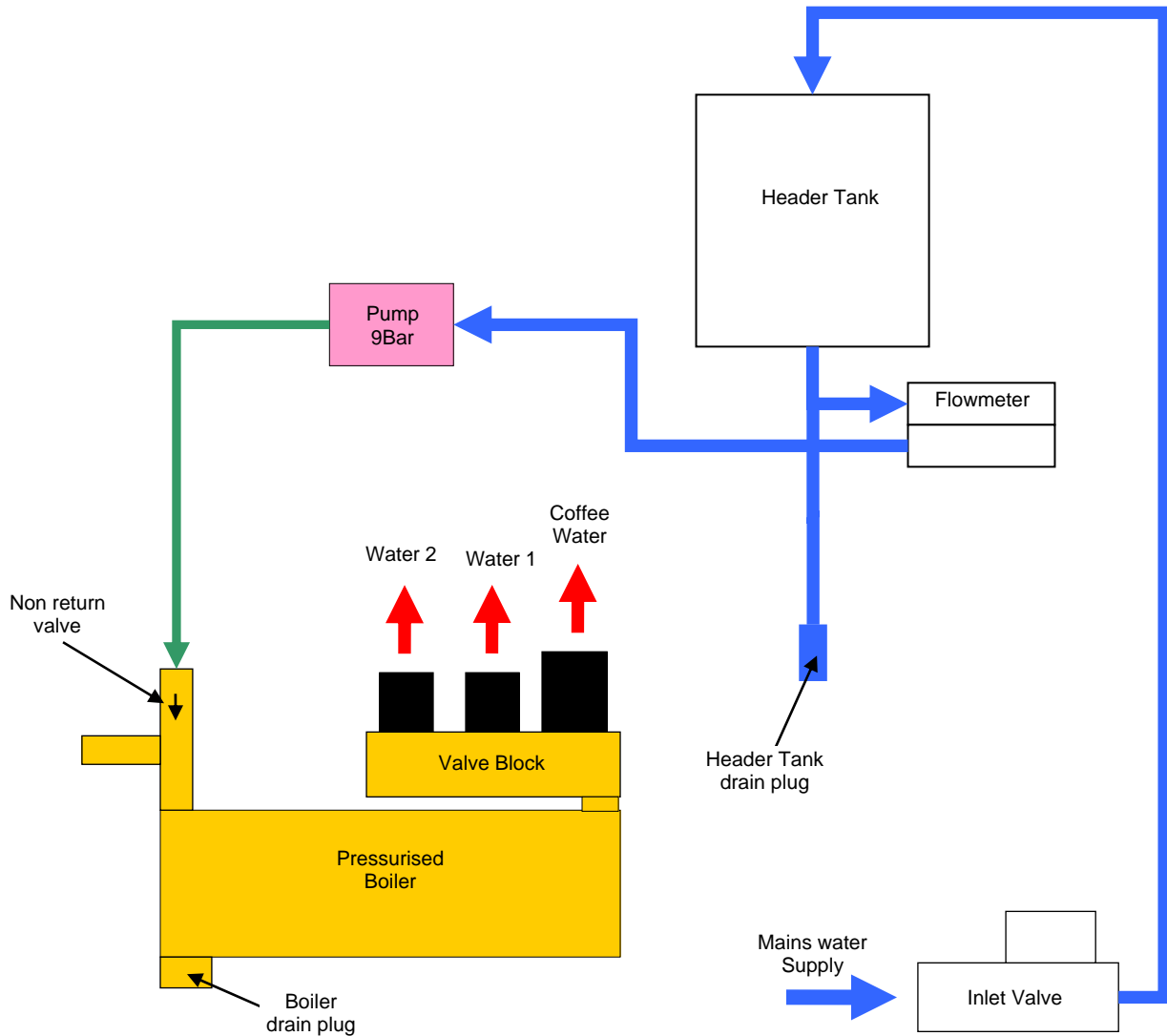


Fig. 1 Fresh Water

# TECHNICAL INFORMATION SHEET

No. 0604-02

7-April-06

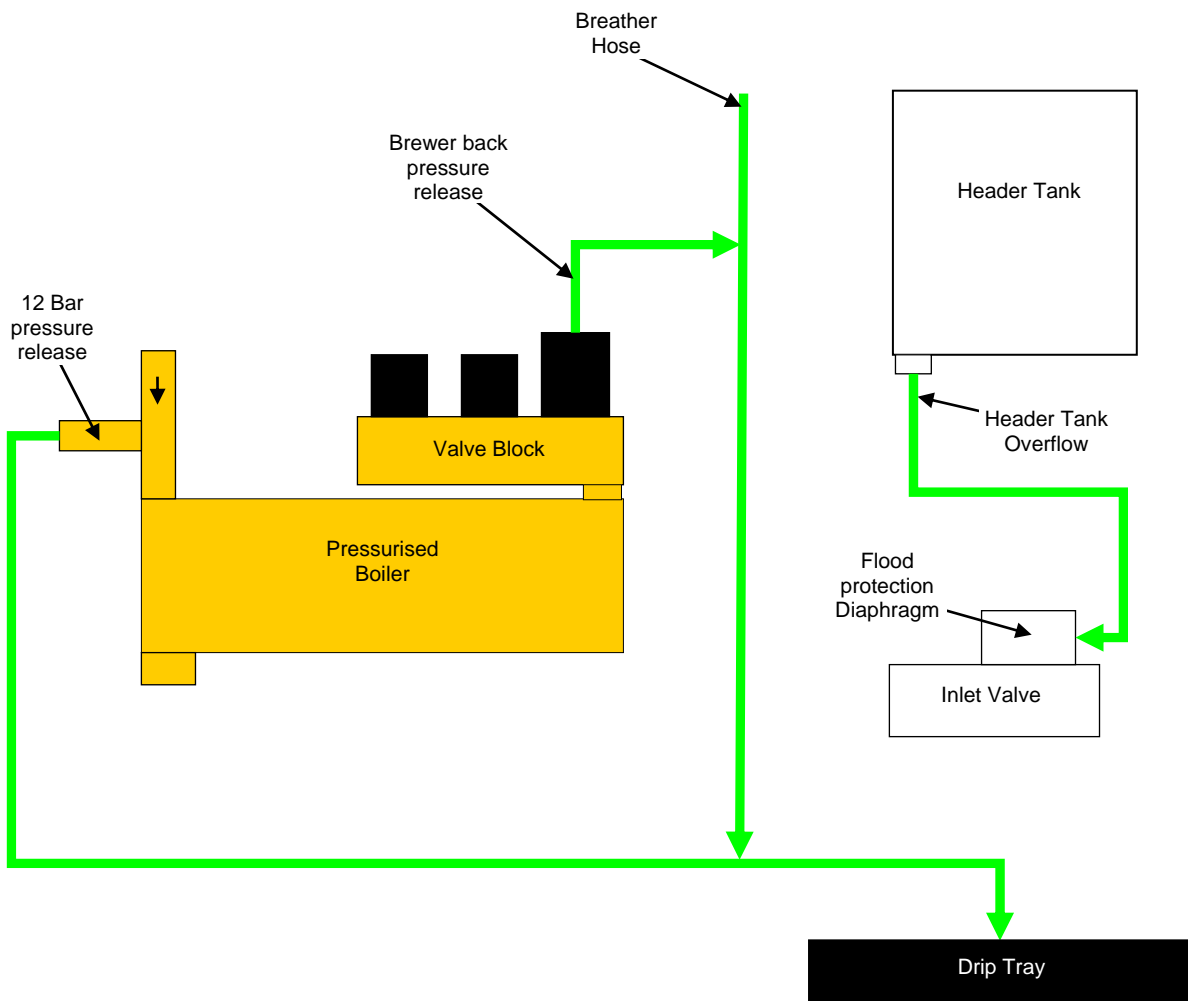


Fig.2 Waste Water