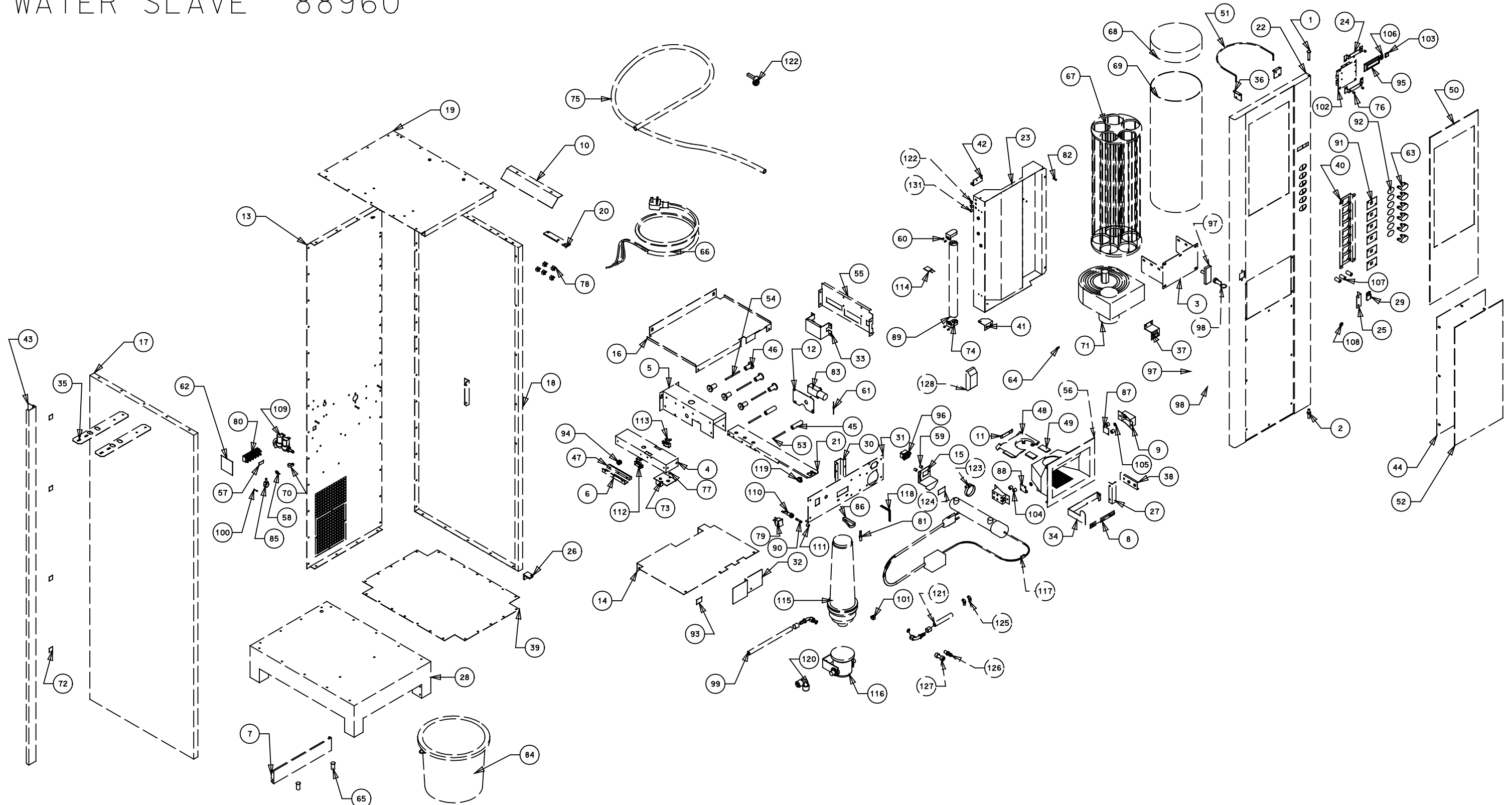


# WATER SLAVE 88960

| NO. | QTY. | DESCRIPTION                  | PART NUMBER |
|-----|------|------------------------------|-------------|
| 1   | 1    | Top hinge pin                | 66616       |
| 2   | 1    | Bottom hinge pin             | 66617       |
| 3   | 1    | Cup turret bracket           | 66621       |
| 4   | 1    | Motor drive base             | 67662A      |
| 5   | 1    | Motor drive cover            | 67662B_9    |
| 6   | 1    | Rack mount                   | 68310       |
| 7   | 1    | Kick plate                   | 67688       |
| 8   | 1    | Drip tray hinge              | 67813       |
| 9   | 2    | Eye sensor bracket           | 67785       |
| 10  | 1    | Loom cover                   | 67806       |
| 11  | 1    | Cup holder plate             | 67807       |
| 12  | 1    | Motor mount                  | 68333       |
| 13  | 1    | Back panel                   | 68961       |
| 14  | 1    | Electrics cover slave        | 68962       |
| 15  | 1    | Safety bracket slave carb    | 68963       |
| 16  | 1    | Shelf slave carb             | 68964       |
| 17  | 1    | L/h side panel slave carb    | 68965       |
| 18  | 1    | R/h side panel slave carb    | 68966       |
| 19  | 1    | Top panel                    | 68986       |
| 20  | 1    | Hinge plate                  | 68987       |
| 21  | 1    | Dispense arm                 | 68989       |
| 22  | 1    | Door carb slave              | 68990       |
| 23  | 1    | Light box                    | 68992       |
| 24  | 2    | Pcb bracket                  | 68993       |
| 25  | 1    | Lock bracket                 | 68994       |
| 26  | 1    | Hinge bracket                | 68995       |
| 27  | 1    | Drip tray lever bracket      | 68999       |
| 28  | 1    | Cab base slave carb          | 69093       |
| 29  | 1    | Lock plate slave carb        | 69101       |
| 30  | 1    | Channel water slave          | 69126       |
| 31  | 1    | Front panel water slave      | 69179       |
| 32  | 1    | Switch cover water slave     | 69192       |
| 33  | 1    | Control gear support         | 69229       |
| 34  | 1    | Drip tray lever water slave  | 69230       |
| 35  | 2    | Connecting plate water slave | 69231       |
| 36  | 2    | Carousel support bracket     | 69262       |
| 37  | 1    | Connector bracket            | 69411       |
| 38  | 1    | Fixing bracket               | 69414       |
| 39  | 1    | Cab base bottom plate        | 68372       |
| 40  | 1    | Key board mount              | 68382       |
| 41  | 1    | Bottom light box bracket     | 68453       |
| 42  | 1    | Top light box bracket        | 68454       |
| 43  | 1    | Joint plate                  | 68997       |
| 44  | 1    | Infill panel (option)        | 68988       |
| 45  | 2    | Dispense head roller         | 55723       |
| 46  | 6    | Dispense cover roller        | 55724       |
| 47  | 1    | Drive bar                    | 55725       |
| 48  | 1    | Cup holder soup              | 55730       |
| 49  | 2    | Cup holder runner            | 55732       |
| 50  | 1    | Upper display panel          | 57181       |
| 51  | 1    | Carousel support wire        | 69263       |
| 52  | 1    | Lower display panel          | 57182       |
| 53  | 2    | Arm roller bar               | 67882       |
| 54  | 3    | Cover roller bar             | 67883       |
| 55  | 1    | Stereo bracket slave carb    | 68967       |
| 56  | 1    | Cup station soup slave       | 86071       |
| 57  | 1    | Danger label warning disc    | 10064       |
| 58  | 1    | Crimp terminal piggy back    | 22003       |
| 59  | 2    | Spacer nylon 10.0mm high     | 22015       |
| 60  | 4    | Spacer nylon 7.5 high        | 22068       |
| 61  | 1    | Capacitor ceramic 1uf F/V    | 22447       |
| 62  | 1    | Rating plate general         | 23456       |
| 63  | 6    | Button cap                   | 54041A      |
| 64  | 1    | Keyboard spacer verona       | 54047       |
| 65  | 2    | Bucket stop cover            | 54169       |
| 66  | 1    | UK mains lead with 13A plug  | 54416       |
| 67  | 1    | Cup turret                   | 54671       |
| 68  | 1    | Cup turret lid               | 54671_L     |
| 69  | 1    | Cup turret celluloid sleeve  | 54671_S     |
| 70  | 1    | P clip NX5                   | 54789       |

| NO. | QTY. | DESCRIPTION                     | PART NUMBER |
|-----|------|---------------------------------|-------------|
| 71  | 1    | Cup mech lev c/w micro sw       | 54921       |
| 72  | 4    | Velcro pads                     | 54989       |
| 73  | 1    | Dispence head pcb               | 54990       |
| 74  | 2    | Bernlight 28501 lampholder      | 55143       |
| 75  | 1    | 1m aqua vend 10                 | 54110       |
| 76  | 4    | Spacer 4.3x8.0x3.0mm            | 22118       |
| 77  | 2    | Spacer nylon 3.2mm high         | 22017       |
| 78  | 5    | Tie wrap holder snap lock       | 55217       |
| 79  | 1    | Switch rocker on/off verona     | 55458       |
| 80  | 1    | Terminal block strip 32A        | 55517       |
| 81  | 1    | Front bucket sensor             | 55620       |
| 82  | 1    | 4mm pin bullet                  | 55639       |
| 83  | 1    | Dispense head motorxxx          | 55721       |
| 84  | 1    | Bucket 10Ltr                    | 55854       |
| 85  | 1    | Unex clip no 17 ml              | 55868       |
| 86  | 1    | Hook simplex spring             | 55883       |
| 87  | 1    | Cup sensor sender               | 56023       |
| 88  | 1    | Cup sensor receiver             | 56022       |
| 89  | 1    | Lamp                            | 56070       |
| 90  | 1    | Fuse 7A 240V                    | 56156       |
| 91  | 6    | Ultra 3 pcb                     | 56358       |
| 92  | 1    | AP cold menu decals             | 56367       |
| 93  | 1    | Warning label                   | 56399       |
| 94  | 1    | Gear motor pinion               | 56679       |
| 95  | 1    | Lcd blue                        | 56680       |
| 96  | 1    | IEC outlet socket 10a           | 56906       |
| 97  | 1    | Door handle                     | 56945B      |
| 98  | 1    | Lock barrel and key             | 56945C      |
| 99  | 1    | Brita filter pipe water slave   | 57246       |
| 100 | 1    | Crimp female 18-24 awg          | 58017       |
| 101 | 1    | Cobra clip 15mm normal          | 54012       |
| 102 | 1    | Rmcu dc control board           | 59011       |
| 103 | 1    | Eprom psd 312b-15j (State type) | 59014       |
| 104 | 4    | Plastic spacers -11.11m         | 59055       |
| 105 | 2    | Eye sensor lens small           | 59065       |
| 106 | 1    | Standoff 14 way (lcd)           | 59077       |
| 107 | 3    | Plastic spacers -0485068        | 59134       |
| 108 | 1    | Spacer plastic m4X13X           | 59145       |
| 109 | 1    | 24DC inlet valve                | 59255       |
| 110 | 1    | 16 amp fuseholder bussman       | 71101       |
| 111 | 1    | Cap for fuse holder 71101       | 71101C      |
| 112 | 2    | Micro switch                    | 71124       |
| 113 | 2    | Actuator arm long brewer        | 71124A      |
| 114 | 1    | Snubber assembly                | 86630       |
| 115 | 1    | Pressure hose and cartridge     | 57175       |
| 116 | 1    | Brita 1.5L filter head          | 57174       |
| 117 | 1    | Uv filter kit mk2 slave         | 57444       |
| 118 | 1    | 1/2x15g steel oval chain        | 55105       |
| 119 | 1    | Carb chiller bush               | 56395       |
| 120 | 1    | Reducing elbow connector        | 57251       |
| 121 | 1    | Britta filter pipe 2m           | 57336       |
| 122 | 1    | Switch cap red shut off         | 54382       |
| 123 | 1    | Jubilee clip 45-60mm            | 57448       |
| 124 | 1    | Uv light warning label          | 57391       |
| 125 | 2    | Angled nozzle                   | 57364       |
| 126 | 1    | Tube to hose stem               | 57250       |
| 127 | 1    | Reducing straight conector      | 57249       |
| 128 | 1    | Electronic balast 15w           | 57451       |
| 129 | 1    | Cable cleat size 1              | 55240       |
| 130 | 2    | Mains lead device               | 55767       |
| 131 | 2    | Flush switch cap in green       | 54379       |
| 132 | 0.5m | Silicone tube 5x 1.5 blk        | 54820       |
| 133 | 1    | Dispense head loom              | 55728       |
| 134 | 1    | Soup slave interface loom       | 56507       |
| 135 | 1    | Main loom water slave           | 57190       |
| 136 | 1    | Water slave button loom         | 57225       |
| 137 | 1    | Nylon tube 6mmx4mm id           | 57248       |
| 138 | 1    | Tube to hose stem               | 57250       |
| 139 | 1    | Dispense head internal loom     | 57315       |

# WATER SLAVE 88960



ISSUE 2

24-02-06