

# Technical manual Nova freshbrew FZ





Technical manual Nova freshbrew FZ

Manufacturer: ETNA Coffee Technologies b.v.  
P.O. Box 200  
7130 AE Lichtenvoorde  
The Netherlands

Distributor:

© ETNA Coffee Technologies b.v.

Articlecode: 000868662001  
Status: Publish  
Revision: 1

# CONTENTS

<b>1</b>	<b>INTRODUCTION</b>	<b>6</b>
1.1	This user manual	6
1.2	Pictograms and safety symbols on the machine	6
1.3	Pictograms and safety symbols in the manual	7
1.4	Conventions and definitions	7
1.5	Service and technical support.	7
1.6	Machine identification on the exterior of the machine	8
1.7	Machine identification inside the machine.	8
1.8	Used machines and the environment.	9
1.9	General safety instructions and restrictions	9
1.9.1	Operating and cleaning instructions	9
1.9.2	Icons and instructions	9
1.9.3	Users	10
1.9.4	Technical specifications	10
1.9.5	Modifications	10
1.9.6	Intended use	10
1.10	Available documentation	10
<b>2</b>	<b>DESCRIPTION OF MACHINE</b>	<b>11</b>
2.1	General description	11
2.2	Main components	11
2.2.1	Front view	11
2.2.2	Interior view	12
2.3	Container lay-out	13
2.4	Principle of operation.	14
2.5	Switching ON and OFF.	14
2.6	Service key	14
2.7	Operating the machine.	15
2.7.1	Strength control	15
2.7.2	Selecting jug function	15
2.7.3	Stand by	15
<b>3</b>	<b>USE</b>	<b>16</b>
3.1	Safety instructions - use	16
3.2	Refilling containers	17
3.2.1	Filling the container inside the machine	17
3.2.2	Filling the ingredient containers outside the machine	17
3.3	Digital photo frame.	18

<b>4</b>	<b>MAINTENANCE AND CLEANING</b>	<b>19</b>
4.1	Safety instructions - maintenance and cleaning	19
4.2	Perishables	19
4.3	Service panel	20
4.4	Maintenance	20
4.5	Daily maintenance	20
4.5.1	Checking the ingredient containers	21
4.5.2	Empty waste bucket	21
4.5.3	Cleaning drip tray	21
4.5.4	Cleaning mixers and brewer	22
4.5.5	Cleaning the brewing group automatically	22
4.5.6	Cleaning valves	22
4.5.7	Clean the exterior	23
4.6	Weekly maintenance	23
4.6.1	Cleaning mixer components	24
4.6.2	Cleaning the brewing group	26
4.6.3	Cleaning the espresso mixer	28
4.7	Monthly maintenance	29
4.7.1	Cleaning the brewing group monthly	29
4.8	Maintenance overview	29
<b>5</b>	<b>RESOLVING PROBLEMS</b>	<b>31</b>
5.1	LCD display on the selection panel	31
5.1.1	Fault messages	31
5.1.2	Selection panel in programming mode	32
5.1.3	User menu (Operator)	32
5.1.4	Diagram of user menu	33
5.2	Service engineer menu	33
5.3	Electrical diagram	34
5.4	Water flow diagram	35
<b>6</b>	<b>TECHNICAL SPECIFICATIONS</b>	<b>36</b>
6.1	Electrical system	36
6.2	Water system	36
6.3	Sound level	36
6.4	Ambient conditions	37
6.5	Dimensions and weight	37
<b>7</b>	<b>SOFTWARE</b>	<b>38</b>
7.1	Software versions	38
7.2	Levels	38
7.3	User menu (Operator)	38
7.4	Service engineer menu	39
7.5	Drink settings	40
7.5.1	Setting drink recipes	42
7.6	Drink counters	43
7.7	Machine counters	44
7.8	Cleaning counters	44
7.9	Time & date	45
7.10	Timer functions	46
7.11	Temperature	47
7.12	Error settings	48
7.13	Installation	49
7.14	Payment system	51
7.15	Pin code	52
7.16	Adjusting brewing group cycles	53
7.17	Calibrate the valves	54

<b>8</b>	<b>INSTALLATION</b>	<b>55</b>
8.1	Connecting the machine	55
8.2	Adjusting the wiper on the filter	55
8.3	Adjusting the valve	57
8.4	Test the buttons	57
<b>9</b>	<b>REPLACEMENT OF PARTS</b>	<b>58</b>
9.1	Safety requirements - replacing parts	58
9.2	Repairs	58
9.2.1	Access to the machine	58
9.2.2	Removing the plating	59
9.3	Emptying the boiler	60
9.4	Restarting	60
9.5	Drink selection labels	61
9.6	Replacing the inlet valve	61
9.7	Replacing the boiler	62
9.8	Replacing the boiler sensor	64
9.9	Replacing the heating element	65
9.10	Replacing the valve	66
9.11	Replacing the brewing group engine	67
9.12	Replacing the extraction fan	68
9.13	Replacing the microswitch for the brewing group engine	69
9.14	Replacing the mixer engine	70
9.15	Replacing the ingredient engine	70
9.16	Replacing the espresso mixer	71
9.17	Replacing the drip tray sensor	72
9.18	Door plate	72
9.19	Replacing the cup sensor	73
9.20	LCD display and display PCB	74
9.21	Replacing the selection panel print	75
9.22	Replacing the illumination panel	76
9.23	Digital photo frame (optional)	77
9.24	Replacing the control PCB	80
9.25	Replacing the level sensor PCB	80
9.26	Replacing the power supply	81

## 1 INTRODUCTION

### 1.1 This user manual

Congratulations on the purchase of your Nova freshbrew FZ. This machine has been developed and produced using state-of-the-art technology. This, combined with the ISO 9001 certification that applies to all our products, means you can rest assured that you are the owner of a high quality product.

This manual is intended for authorised and trained users and contains all the information required to operate the machine safely and to carry out regular maintenance and cleaning tasks. Read the relevant user manual carefully before using your machine.



Ensure that the user manual is kept with the machine to ensure that all procedures are carried out correctly.

### 1.2 Pictograms and safety symbols on the machine

The following pictograms are used on the Nova freshbrew FZ:

- Electrical hazard
- Risk of fingers being trapped



Figure 1-1



Figure 1-2



Figure 1-3

## 1.3 Pictograms and safety symbols in the manual

These pictograms are used in the manual:



General warning or caution. Damage to the machine or personal injury can occur.



Electrical hazard



Burning hazard



Remarks, suggestions and advice

## 1.4 Conventions and definitions

Throughout the document, reference is made to the "left", "right", "front" and "rear" of the machine. Where a component or specific part of the machine is referred to, this is described from the user's viewpoint facing the selection panel.

## 1.5 Service and technical support

Please contact your dealer for further information on settings, maintenance and/or repair activities that are not dealt with in this manual. Your dealer will be pleased to assist you.

If you contact your dealer, always have the following information at hand:

- model number
- serial number
- software versions

## 1.6 Machine identification on the exterior of the machine

1. Model number
2. Voltage
3. Frequency
4. Power rating
5. Serial number
6. Water pressure

The identification plate is on the rear of the machine.

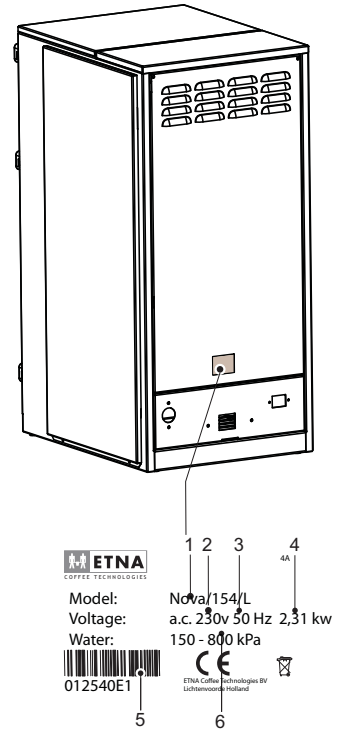


Figure 1-4

## 1.7 Machine identification inside the machine

1. Model number
2. Voltage
3. Frequency
4. Power rating
5. Serial number
6. Water pressure

The identification plate is on the inside on the left-hand frame plate.

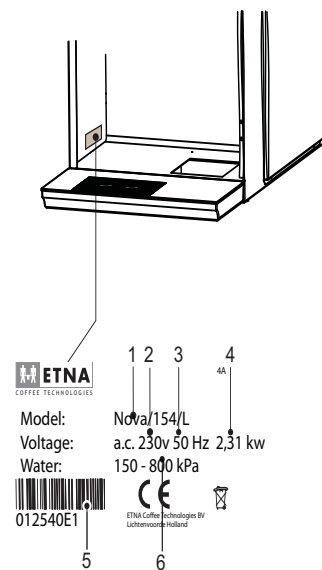


Figure 1-5



## 1.8 Used machines and the environment



Ask your local authority for information on ways to recycle materials safely and in an environmentally friendly manner.



Ask your local authority for information on ways to dispose of materials safely and in an environmentally friendly manner.

## 1.9 General safety instructions and restrictions

The manufacturer does not accept liability for any damage caused by not (strictly) observing the safety instructions or by carelessness during use and cleaning of the machine and any accessories.

Depending on the specific operating conditions or accessories used, additional safety instructions may apply. Please contact your dealer immediately if you encounter any hazards when using the machine.



The user of the machine is fully responsible at all times for observing locally applicable safety regulations and guidelines.

### 1.9.1 Operating and cleaning instructions

- All those using and/or cleaning the machine must be familiar with and follow the operating and cleaning instructions closely. The owner must ensure that personnel are informed of the operating and cleaning instructions contained in this manual and that they comply with these regulations and instructions.
- Never change the order in which activities are carried out.
- Always keep the operating and cleaning instructions in the vicinity of the machine.

### 1.9.2 Icons and instructions

The icons, symbols and instructions attached to the machine form part of the safety instructions. Therefore, they must not be covered or removed. They must be kept within reach and be clearly legible throughout the entire service life of the machine.

- If icons, symbols or instructions are illegible, ring your supplier straightaway to rectify this.

## 1.9.3 Users

The daily, weekly and monthly maintenance and cleaning activities may only be carried out by users who have received training from the installer or owner of the machine. These individuals will be familiar with the potential risks of opening the machine. Staff who are still in training must be supervised when carrying out cleaning activities. This must be under the responsibility of an authorised user.

## 1.9.4 Technical specifications

- The technical specifications may not be modified.

## 1.9.5 Modifications

- Modifications may not be made to the machine (or parts of the machine).

## 1.9.6 Intended use

The intended use<sup>1</sup> of the machine is designed exclusively for dispensing beverages as indicated on the selection panel. Use of the machine for any other purpose falls outside the terms of conditions of use. The manufacturer does not accept responsibility for any damage or injury that may result from improper use.

The machine meets current standards and directives.

- The machine may only be used in perfect technical condition for the purposes indicated above.

## 1.10 Available documentation

The following documentation is available for this machine:

- User manual
- Technical manual
- Parts book

---

1. "Intended use" as meant in EN 292-1 is the application for which this technical product has been made, as specified by the manufacturer – including references in sales brochures. In case of doubt, use can be derived from the construction, model and functions of the technical product the assumed normal use. Use of the product within the confines of the intended use also includes complying with the instructions in the user manual.

## 2 DESCRIPTION OF MACHINE

### 2.1 General description

This machine prepares and dispenses various hot drinks.

The drinks are dispensed in the cups intended for this purpose and that are placed on the machine cup stand. The cups must be placed on the cup stand manually.

The display on the machine indicates that:

- a drink can be selected
- a drink is being prepared
- a fault has occurred.

### 2.2 Main components

#### 2.2.1 Front view

1. Window (optional: photo frame)
2. Display
3. Selection panel
4. Cup sensor
5. Cup stand (two-sided)
6. Drip tray

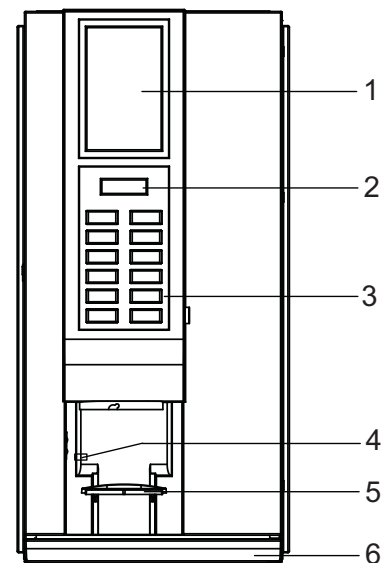


Figure 2-1

## 2.2.2 Interior view

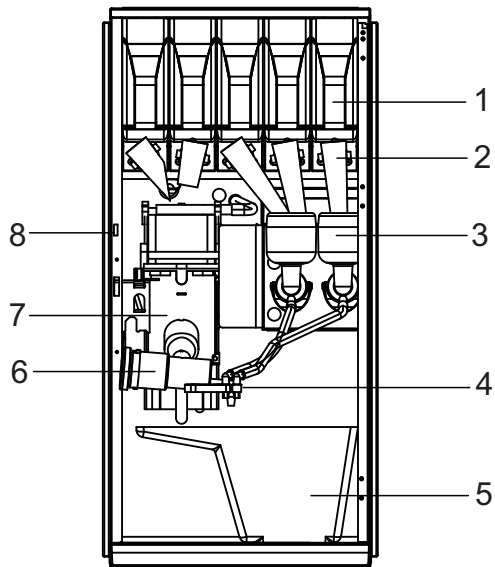


Figure 2-2

1. Ingredient containers
2. Dispenser nozzle
3. Mixer components
4. Dispensing holder
5. Waste bucket
6. Espresso mixer (optional)
7. Zuma brewer (brewing group)
8. Service switch

## 2.3 Container lay-out

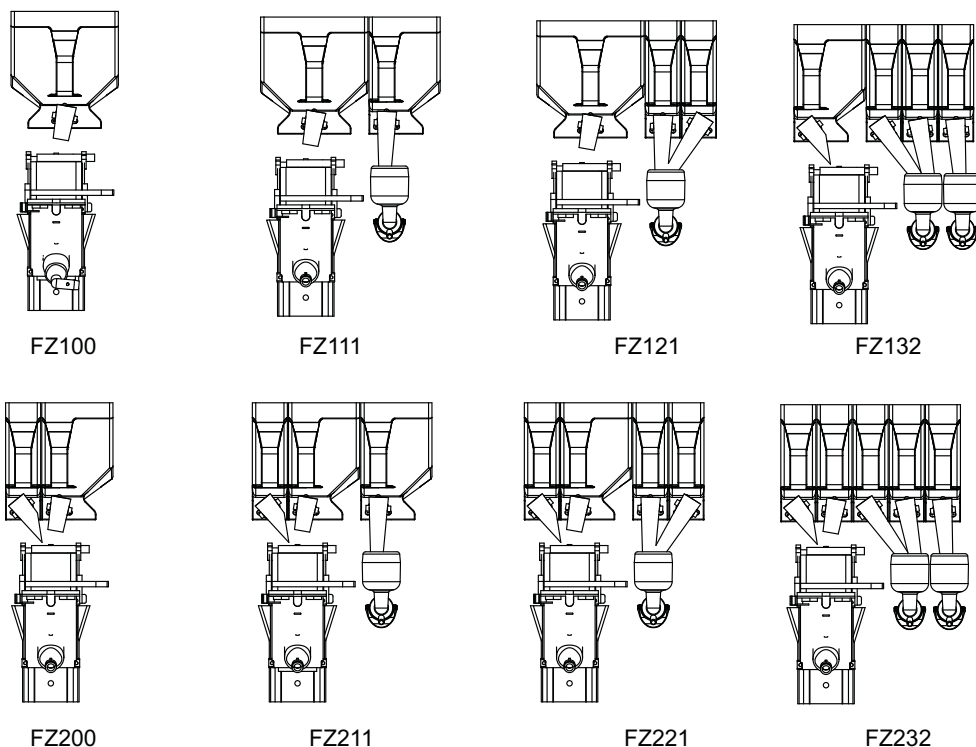


Figure 2-3

The different types are fitted with the following containers.

Machine	Freshbrew container	Instant container
Nova FZ100	1x 6 L	
Nova FZ200	1x 1.8 L 1x 3.9 L	
Nova FZ111	1x 6 L	1x 3.9 L
Nova FZ211	1x 1.8 L 1x 3.9 L	1x 3.9 L
Nova FZ121	1x 6 L	2x 1.8 L
Nova FZ221	1x 1.8 L 1x 3.9 L	2x 1.8 L
Nova FZ132	1x 3.9 L	3x 1.8 L
Nova FZ232	2x 1.8 L	3x 1.8 L

## 2.4 Principle of operation

After a selection is made, the drink is prepared and dispensed.

- The water is supplied via the boiler (heated).
- Instant products are dosed from the containers into the mixer and/or the ground coffee is dosed into the brewing group.
- The water and the ingredients are mixed in the mixer or compressed by the brewing group.
- The drink is dispensed through the dispensing pipe into the cup placed on the cup stand.
- The cup stand has two sides; hot water on the left, drinks on the right.
- The start button can be used when a drink has been selected and a cup has been placed.

## 2.5 Switching ON and OFF

The machine does not have a manual on/off switch. The key switch used to open the door incorporates the on/off switch:

- When the door is opened the machine switches itself off.
- When the door is closed the machine switches itself back on.

## 2.6 Service key

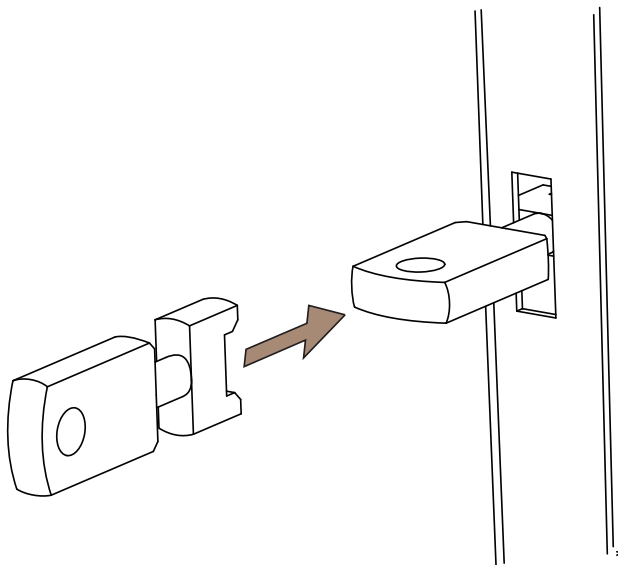


Figure 2-4

Once the service key has been inserted and turned a quarter turn, the machine is operational for repair and test purposes.



The machine contains rotating and moving parts. Ensure that your fingers do not become trapped when work is carried out.

### 2.7 Operating the machine

Although the standard model does not include a payment mechanism, the option exists for the machine to be equipped with a coin mechanism (for instructions on how to install the payment mechanism, see the operating instructions included with the mechanism).

#### 2.7.1 Strength control

Select the drink by pressing the button.

The strength can be changed by pressing the selected drink again.

This is also an option when adding items such as sugar and milk, if the machine allows for this.

#### 2.7.2 Selecting jug function



If the jug function is switched on the cup sensor is switched off.

The jug function allows you to select more than one cup at once. This button operates with all available drinks. The procedure for selecting more than one cup is described below.

1. Push the cup stand up and put a jug under the dispensing nozzle.
2. Use the **jug function** button and press the desired selection button several times.
3. Now operate the **MILK** and/or **SUGAR** buttons to obtain the required combination.
4. Press the **START** selection button for the required drink. The jug is filled. Ensure that the jug is large enough for the number of cups selected.

To reduce the number of cups while the machine is dispensing, press the **jug function** button several times until the required number appears. The machine will stop after the current cup is dispensed.

If the machine is equipped with a coin mechanism and key switch for the jug function, the free dispensing mode is activated by inserting the key in the lock (switch) and turning it to the right.

#### 2.7.3 Stand by

Stand by mode is indicated by the following:

- The buttons are not illuminated.
- The illumination panel or photo frame (optional) is on.
- The Shift button flashes green.

Press any button to bring the machine out of stand by.

## 3 USE

### 3.1 Safety instructions - use

- Inspect the machine before use and check for any damage and defects.  
Please contact your supplier if there is any damage to the machine.
- Please keep all packaging out of reach of children.
- Place the machine in a horizontal position.
- Place the machine somewhere where it can be supervised by trained personnel.
- The machine is not intended for use by people (including children) with a physical, mental or sensory handicap, or with insufficient knowledge and experience to use it without supervision or instruction, until they are monitored by someone who is responsible for their safety.
- Children must be supervised to ensure that they do not play with the machine.
- Protect the machine from water and/or moisture.
- Do not clean the machine using a high pressure water jet.
- Keep the buttons free from dirt and grease, clean them regularly.
- Only use the machine if the lids on the top are closed and all plating has been fitted.
- Never use sharp objects to operate the buttons.
- Only use the cups or jugs that are available at the counter.
- Ensure that the wall socket (with earth connection) and the water connection point remain accessible during use. In case of emergency, the mains plug can then be removed quickly and the water supply can be shut off immediately.
- If the machine is not going to be used for some time, remove the containers, clean the hoses, clean the machine manually, thoroughly clean the mixing chamber, empty the boiler, shut off the water supply and remove the plug from the wall socket. There must not be any water in the machine and components.
- To use the machine after a long period of non-use, first clean the mixing chamber and brewing group thoroughly. Replace the mixing chamber and run the cleaning programme at least three times and prime all the containers before operating the machine.



The drink dispensed by the machine is very hot. You may cause burns in the event of spillage.



Remove the plug from the wall socket in the event of any danger. Do not pull the plug from the wall socket using the cable.



Disregarding the above instructions can jeopardise the safe use of the machine.



## 3.2 Refilling containers

The containers hold the ingredients required to prepare drinks. The containers can be refilled as follows (2 methods):

- Open the upper lid and fill the container inside the machine
- Remove the container from the machine and fill.

### 3.2.1 Filling the container inside the machine

1. Open the door of the machine.
2. Open the lid on the container that needs refilling. Refill the container with the correct ingredients.
3. Close the upper lid.
4. If the container was completely empty, the supply will need refilling.
  - Hold the container above the waste bucket. Turn the spindle of the container until the ingredient runs out of it.

### 3.2.2 Filling the ingredient containers outside the machine

The containers hold the ingredients required to prepare drinks.



Ensure that no fingers are trapped when filling the containers.



Make sure that the right ingredient is put in the correct container.



See the label on the inside of the door for an overview of the maintenance functions.

1. Open the door of the machine.
2. Open the upper lid.
3. Lift the container to be filled off the holder and pull it towards you.
4. Fill with the desired ingredient.
5. Replace the container in the same place in the machine. Ensure that the container's coupling falls into the gear.
6. Repeat this procedure for the other ingredient containers.
7. Close the upper lid.
8. Place a 0.5 L cup under the dispensing nozzle.
9. Insert the service key and turn it a quarter turn.
10. Press button 0 on the service panel; clean valves, the valves are rinsed with water. Repeat this if necessary.
11. Press button 7 on the service panel; reset ingredient counters.
12. Turn the service key a quarter turn and remove it.
13. Close the machine door.

## 3.3 Digital photo frame



Please refer to the manuals enclosed for the correct use of the remote control and the digital photo frame.

The USB connection can be seen on the inside of the door on the door plate when the door is opened.

### Operating the photo frame



The photo display is operated with the remote control.

The photos can be stored on a memory card (SD, MS, MMC, XD). The photos must be in JPG format.

- 1 Select Photo in the main menu and press Enter or OK.

The photo browser is shown.

- 2 Select the directory with the photos that are to be shown.
- 3 Press Enter or OK.
- 4 The photos are shown automatically.

### Changing photos

- 1 Select Edit in the main menu and press Enter or OK.

- 2 The Edit menu is shown.

Select from Copy, Delete or Edit

- 3 Press the arrow to scroll through the menu.

Press Enter or OK to confirm your selection.

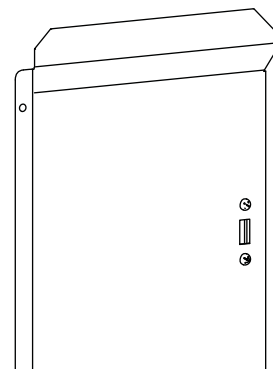


Figure 3-1

## 4 MAINTENANCE AND CLEANING

Accurate maintenance and in particular careful cleaning are basic conditions for good product quality and smooth operation.

This machine has been developed to enable the owner or licensee to thoroughly clean and maintain it in a relatively short time and at low cost.



First read par. 4.1 before carrying out any maintenance activities on the machine. The maintenance activities described may only be carried out by trained, authorised users under the supervision of trained personnel or the owner.

### 4.1 Safety instructions - maintenance and cleaning

- See also par. 3.1.
- Carry out the procedures taking into account the hygiene regulations.
- Repairs may only be carried out on the machine by trained service engineers.
- Maintenance work on the electrical system may only be carried out by trained service engineers with a background in electrical engineering.



Warning with respect to burns: parts within the machine can be very hot.

- After cleaning or maintenance activities, the machine must not be used until all the removed parts have been correctly reinstalled.

Then inspect and check the inside of the machine:

- The dispenser holder must be aimed at the middle of the cup.
- The ingredient containers must be correctly placed.
- The mixer components must be in the correct position.  
The waste container must be in the correct position.
- The brewer group must be in the correct position.

### 4.2 Perishables



The products have been supplied with a use by date. Therefore, the following should be taken into account:

- Comply with the use by date printed on the product packaging.
- Do not use products that are nearing their use by date.
- Replace products whose use by date is past.
- Do not use opened products for longer than the indicated use by date.
- Replace the products when the use by date is up.
- Only use the cleaning agents referred to in the cleaning schedule and follow the instructions on the packaging. See also par. 4.4.

## 4.3 Service panel

The service panel can be seen when the door is opened. From the service panel you can carry out the following maintenance tasks (if available):

Button	Function
1	Rinse brewing group
2	Rinse mixer 1
3	Rinse mixer 2
4	Rinse mixer 3
5	Open/close brewing group
6	Free/paid drink
7	Reset container counters
8	Read counters
9	Reset waste counter
0	Cleaning valves

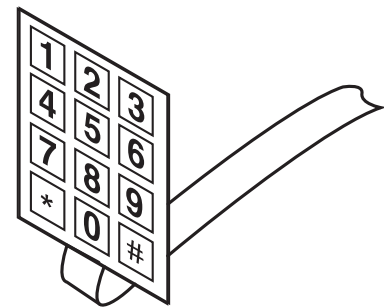


Figure 4-1

## 4.4 Maintenance

The quality of this product is only guaranteed if the machine receives thorough maintenance on a regular basis. A few vital machine parts are very sensitive to dirt. Use of this machine requires both daily and weekly maintenance.

## 4.5 Daily maintenance

Carry out the following operations on a daily basis:

- Check the contents of the ingredient containers and refill them if necessary.
- Clean and empty the waste bucket underneath the brewing group.
- Clean and empty the drip tray.
- Rinse the mixers, brewer and valves (at least twice a day).
- Clean the outside of the machine, including the selection panel.

When cleaning, pay attention to the following:

- Clean the machine and parts with a damp, clean cloth or paper tissue.
- Put the cleaned parts straight back in the machine.
- Clean the machine more frequently than specified if necessary; more frequent cleaning will be required when the machine is subject to heavy use.

### 4.5.1 Checking the ingredient containers

1. Open the door.
2. Check whether the ingredient containers still contain sufficient ingredients.
3. If necessary refill the containers as described in Chapter 3
4. Close the door.

### 4.5.2 Empty waste bucket

1. Open the door.
2. Remove the waste bucket from the machine and empty it.
3. Clean the waste bucket with water.
4. Put the waste bucket back again.
5. Insert the service key and turn it a quarter turn.
6. Press button 9 on the service panel to reset the waste counter to 0.
7. Turn the service key a quarter turn and remove it.
8. Close the machine door.



Use plastic bags in the waste bucket for hygiene reasons.

### 4.5.3 Cleaning drip tray



The drip tray must not be washed in a dishwasher.

1. Take the drip tray out of the machine carefully.
2. Empty the drip tray and clean it using water.
3. Put the drip tray back in the machine.

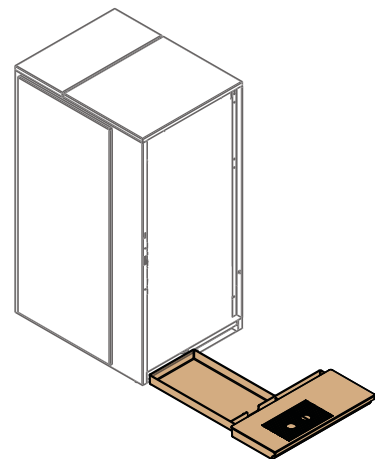


Figure 4-2

## 4.5.4 Cleaning mixers and brewer



The drink dispensed by the machine is very hot and may cause burns.

1. Open the door and insert the service key.
2. Place a cup or jug of at least 1.5 L under the dispensing nozzle.
3. Press button 1 on the service panel; rinse brewing group.
4. Select "Daily", press Start.
5. To only rinse the mixers, press button 2, 3 or 4.
6. To rinse the brewing group and/or the mixer(s) several times:
  - Press the jug button (selection panel) to set the number of rinses;
  - Press button 1 to rinse the brewing group or buttons 2, 3 or 4 to rinse the relevant mixer(s);
  - The brewing group or mixer(s) is/are now rinsed the required number of times.
7. Turn the service key a quarter turn and remove it.
8. Close the machine door.



Note: ensure that the jug or container is large enough to collect the rinsing water.

## 4.5.5 Cleaning the brewing group automatically



The drink dispensed by the machine is very hot and may cause burns.

1. Open the door and insert the service key.
2. Place a jug of at least 1.5 L under the dispensing holder.
3. Press button 1 on the service panel; rinse brewing group.
4. Select "Daily", press Start.
5. Turn the service key a quarter turn and remove it.
6. Close the machine door.

## 4.5.6 Cleaning valves



The drink dispensed by the machine is very hot and may cause burns.

1. Open the door and insert the service key.
2. Place a cup of at least 1.5 L under the dispensing holder.
3. Press button 0 on the service panel; clean valves.
4. All valves are cleaned.
5. Remove the cup.
6. Turn the service key a quarter turn and remove it.
7. Close the machine door.
8. Empty the cup.

### 4.5.7 Clean the exterior

Clean the outside of the machine. Pay special attention to:

- The selection panel
- The area around the drink dispenser unit.
- The bottom of the door.

### 4.6 Weekly maintenance

Carry out the following operations on a weekly basis:

- Clean the mixer components (take apart)
- Manually clean the brewer (take apart)
- Clean the espresso mixer (take apart), if available.

## 4.6.1 Cleaning mixer components

Clean the following components during weekly maintenance:

- Extractors
- Mixing bowls
- Hoses
- Extraction lid



Wash your hands before continuing with this procedure.

1. Open the door.
2. Remove the closed ingredient containers from the machine. Keep them in a clean and dry place.
3. Detach the hoses from the mixing chambers.
4. Detach the hoses from the dispensing pipes.
5. Remove the dispensing pipes from the dispensing holder.
6. Release the mixing chamber by pulling the green catch below it forwards.
7. Take the mixing chamber out of the machine by carefully pulling the bottom of the chamber towards you.
8. Remove the extraction lid from the machine.
9. Remove the mixer blade from the axle of the mixer motor. Use the mixing chamber as a hoist to do so.
10. Clean all parts in hot water and dry them carefully.
11. Clean the immediate vicinity of the mixer in the machine with a damp cloth.

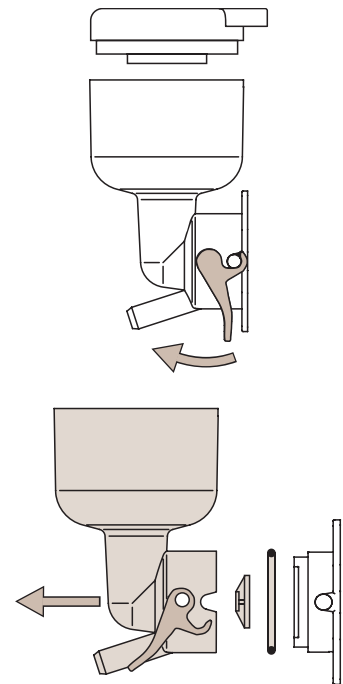


Figure 4-3

12. Put the mixer blade back. Ensure that the marking point on the mixer blade is lined up with the flat section on the engine axle.
13. Put the other cleaned parts back and connect the hoses.

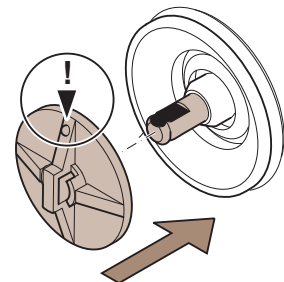


Figure 4-4





The mixing chamber must latch securely in place to prevent leaks. Ensure that the green catch snaps back into place.

14. Insert the service key and turn it a quarter turn.
15. Place a 1.5 L cup under the dispensing nozzle.
16. Press button 0 on the service panel; cleaning valves.
17. Check the system for leaks.
18. Turn the service key a quarter turn and remove it.
19. Close the machine door.

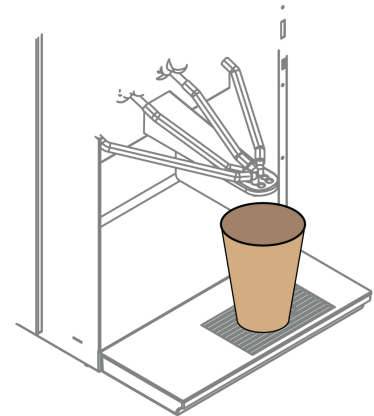


Figure 4-5

## 4.6.2 Cleaning the brewing group

Remove the brewing group from the machine:

1. Open the door.
2. Insert the service key.
3. Detach the water supply to the brewing group.
4. Press button 5 on the service panel; the brewing group opens.
5. Remove the service key.
6. Remove the dispensing holder.
7. Remove the espresso mixer holder (if available).
8. Remove the dispensing nozzle of the brewing group.
9. Pull and turn the lock pin downwards.
10. Lift the brewing group slightly and remove it from the suspension bracket.
11. Clean the brewing group.

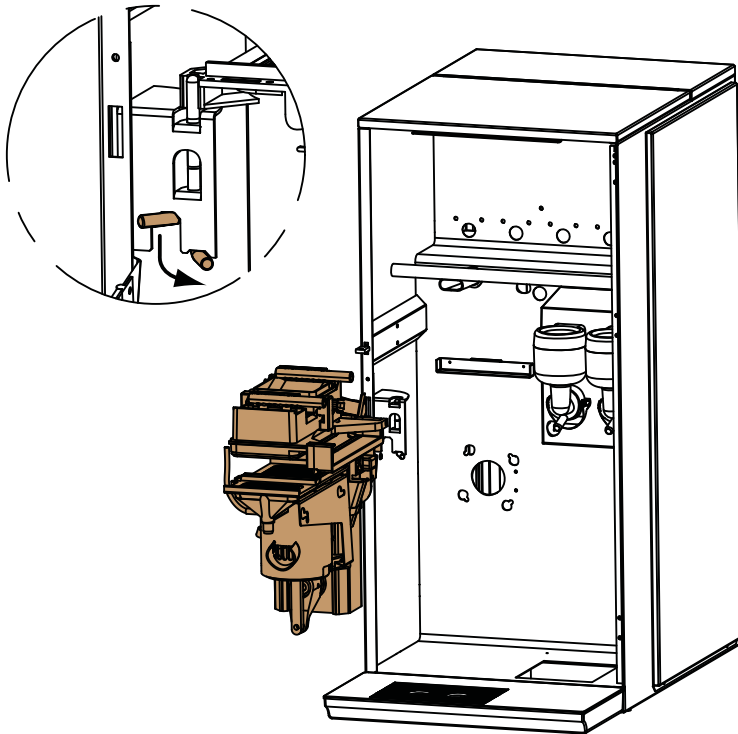


Figure 4-6 Removing the brewing group.

Cleaning the brewing group:



The brewing group must not be washed in a dishwasher.



The filter may be cleaned and re-used a maximum of three times. After that it must be thrown away. Mark the filter with a cross on the rear each time it is re-used.

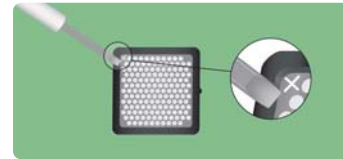


Figure 4-7 Cross (on the rear)

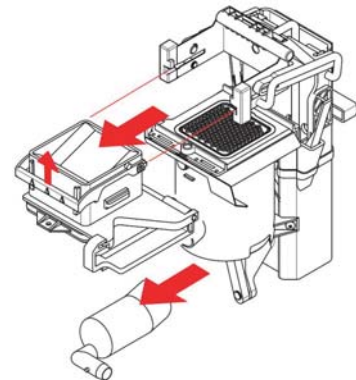


Figure 4-8

1. Remove the mixing funnel for coffee.
2. Clean the mixing funnel using hot water.
3. Remove the filter from the brewing group; put the tool in the cylinder and push the filter up.
4. Clean the filter with cleaning agent and hot water, this takes at least 30 min.
5. Clean the other parts of the brewing group with a damp cloth if they are dirty.
6. Put the filter back.
7. Put the brewing group back together again. Ensure that the wiper arm is between the drive arms. In doing so, pay attention to the marks on the brewing group.

Replace the brewing group in the machine:

1. Hang the brewing group in the suspension bracket.
2. Pull and turn the lock pin upwards so that the brewing group is disabled.
3. Fit the dispensing nozzle of the brewing group.
4. Insert the espresso mixer holder (if available).
5. Insert the dispensing holder.
6. Insert the service key.
7. Press button 5; repeat until the brewing group is completely closed.
8. Attach the water supply to the brewing group.
9. Remove the service key.
10. Close the door.

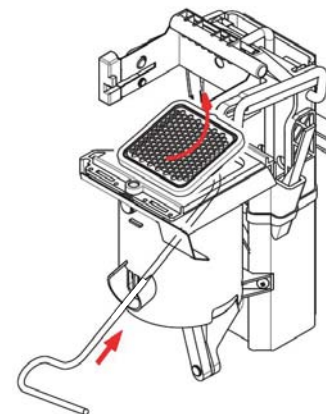


Figure 4-9



The brewing group will only be fully in position when the brewing group is closed.

## 4.6.3 Cleaning the espresso mixer

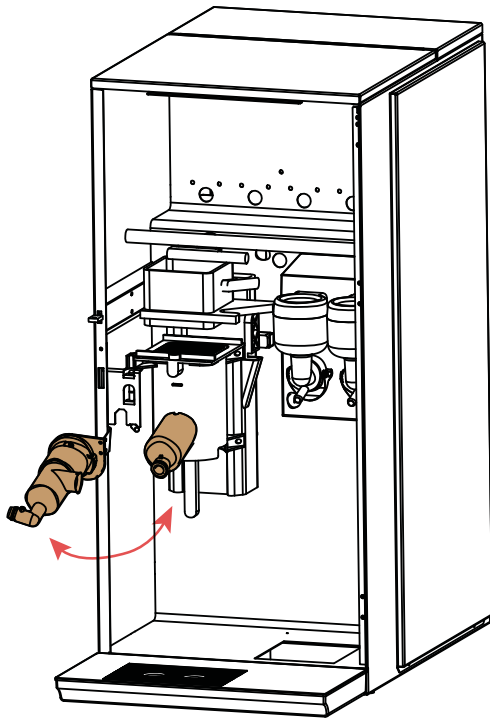


Figure 4-10 Removing the espresso mixer

1. Open the door.
2. Remove the dispensing holder from the espresso mixer.
3. Disconnect the espresso mixer from the brewing group outlet.
4. Detach the mixer chamber from the holder by rotating it towards you.
5. Clean the parts in hot water and dry them carefully.
6. Fit the cleaned parts and connect the hose.
7. Switch on the supply with the service key and rinse by pressing button 1 on the service panel. Check for leaks. (The funnel can be cleaned in a dishwasher.)

### 4.7 Monthly maintenance

Carry out the following operations on a monthly basis:

- Clean the brewer manually (with prescribed cleaning agent)

#### 4.7.1 Cleaning the brewing group monthly



Only use the sachets specified by ETNA. Other cleaning agents can affect the brewing group construction.

1. Open the door and insert the service key.
2. Place a jug (of at least 1.5 L) under the dispensing holder.
3. Press button 1 on the service panel; rinse brewing group.
4. Select "Monthly", press Start.
5. Empty a cleaning sachet into the mixing funnel, press Start.
6. Wait until the machine is ready.
7. Clean the brewing group, see para. 4.6.2.
8. Wait until the machine is ready.
9. Turn the service key a quarter turn and remove it.
10. Close the machine door.
11. Clean the mixer components; see para. 4.6.1.

### 4.8 Maintenance overview

The labels with an overview of the maintenance to be carried out have been stuck to the inside of the door.

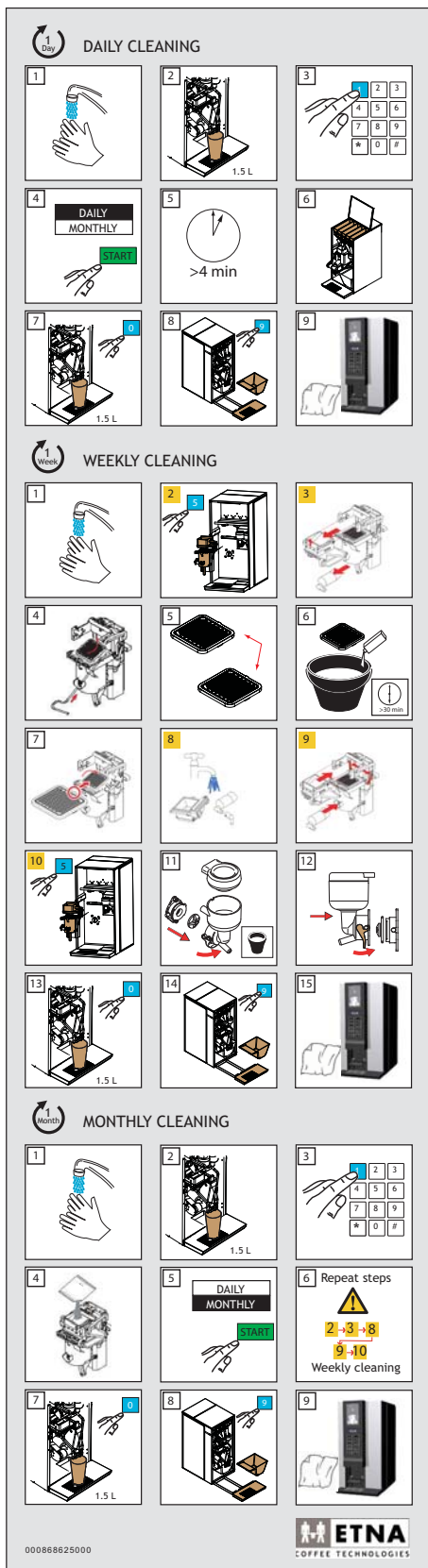


Figure 4-11

## 5 RESOLVING PROBLEMS

### 5.1 LCD display on the selection panel

If faults occur in the machine, the LCD display on the selection panel will display a fault message.

#### 5.1.1 Fault messages

Despite taking all precautionary measures, faults may occur in the machine. In this case, a fault message is displayed. The table below shows a number of faults that could occur and their causes and remedies.

Fault message	Cause	Remedy
Fill container x	Container x is empty	Fill the container and reset the fault message, see Filling containers
Empty waste bucket	The waste bucket is full	Empty waste bucket and clean it, see Emptying waste bucket
Rinse brewing group		Rinse the brewing group, see Cleaning the brewing group automatically
Cleaning the brewing group		Cleaning the brewing group manually, see Cleaning the brewing group
Empty drip tray	The drip tray is full	Empty drip tray, see Cleaning drip tray
Exact change	Not enough change in money changer	Pay with exact change
Drink switched off	Selected drink not available	Contact your supplier
Replace lime scale filter	Filter has exceeded its service life	Replace the filter
Boiler is heating up	Boiler temperature is too low	Wait until the boiler has heated up
No water	Water level too low	Check the machine's water supply

## 5.1.2 Selection panel in programming mode

When the programming mode is used, the selection panel has the following functions:

- **+ or -**, these buttons are used to navigate the menu, or to increase or decrease values.
- **START**, this button confirms the value that is set.
- **#**, (on the service panel) this button is used to navigate back through the menu.

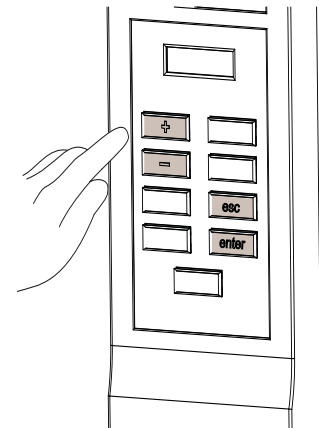


Figure 5-1

## 5.1.3 User menu (Operator)

Press # on the service panel and enter the PIN code.

The standard PIN code for the user menu is **4321**.

Menu subject	Description
Beverage counters	- reading the counter settings per drink - resetting the counter settings
Time & date	- changing time - changing date - changing day - switching on/off on display - setting time adjustment
Temperature	- changing the temperature (set water default 100°C, coffee water default 90°C, range 80-100°C) - setting the sensor

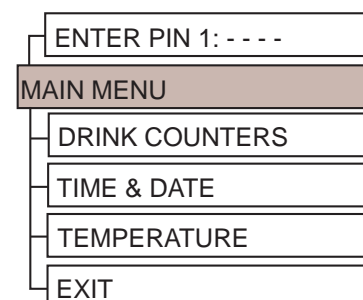


Figure 5-2



## 5.1.4 Diagram of user menu

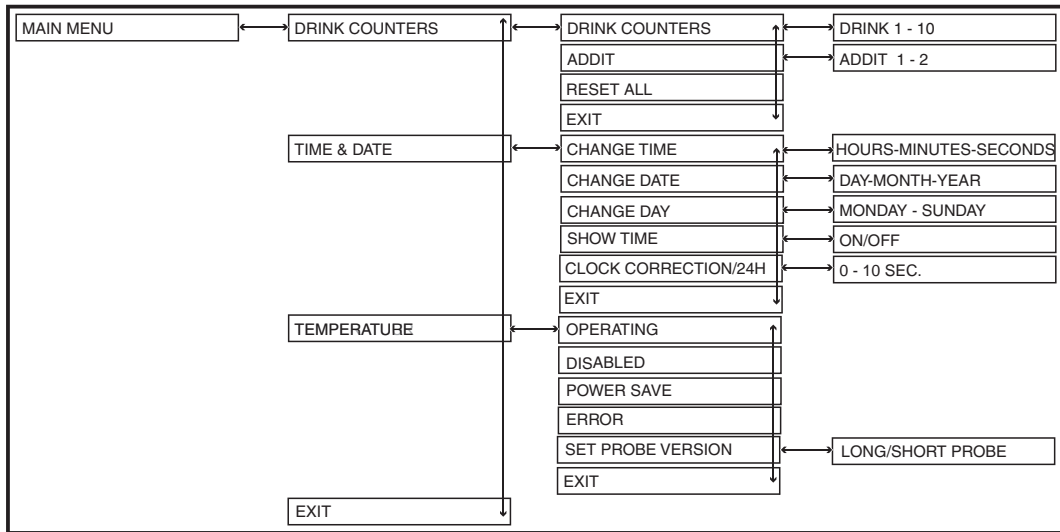


Figure 5-3

## 5.2 Service engineer menu

Press # on the service panel and enter the PIN code.

The standard pin code for the service engineer menu is **4231**.

Menu subject	Description
Drink settings	- changing the drink settings
Drink counters	- reading the drink counters
Machine counters	- reading the machine counters
Cleaning counters	- reading the cleaning counters for the mixers
Time & date	- changing the time and date settings
Timer functions	- changing the settings for the time function
Temperature	- changing the temperature settings
Error settings	- setting the machine warnings
Settings	- setting the machine parameters
Payment system	- setting the payment system
Pin code	- changing the pin codes

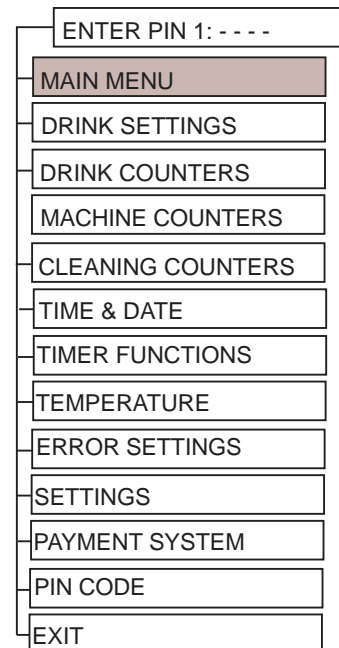


Figure 5-4

## 5.3 Electrical diagram

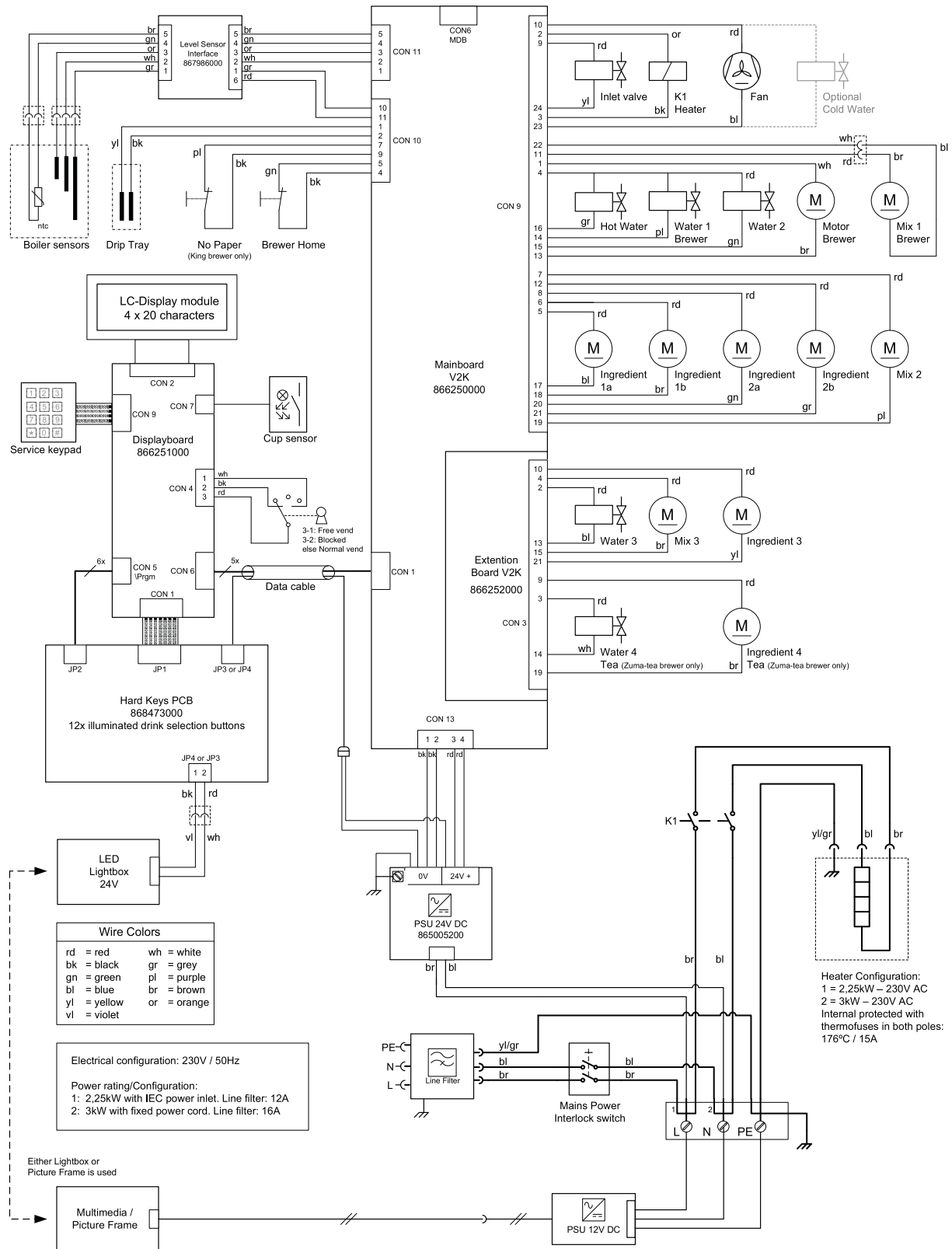


Figure 5-5

5.4 Water flow diagram

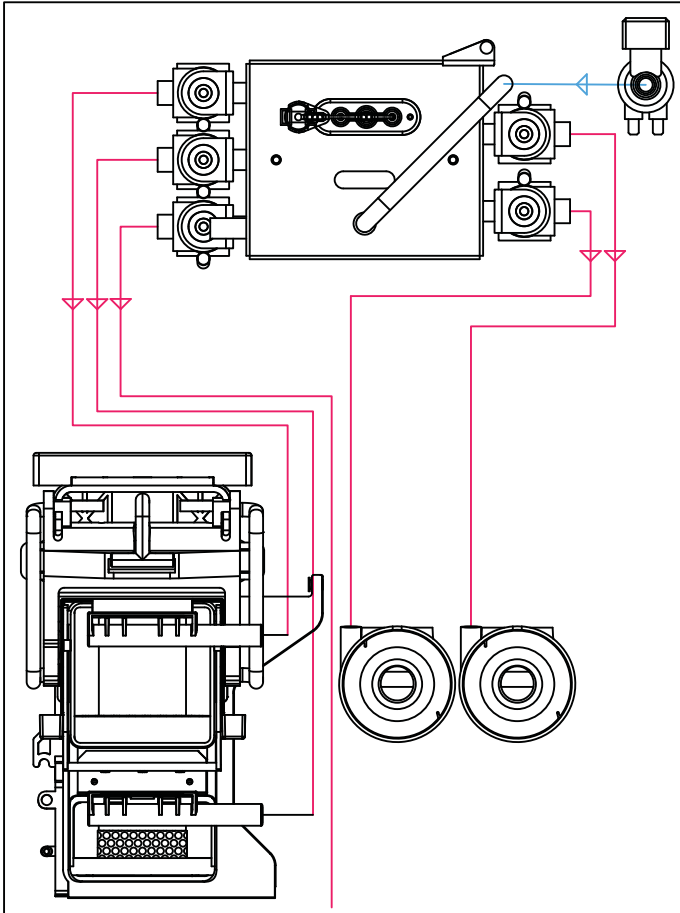


Figure 5-6

## 6 TECHNICAL SPECIFICATIONS

### 6.1 Electrical system



Refer to the machine type place for the correct configuration of your machine, see Chapter 1: Machine Identification.

Description	Value
Main voltage	230 V
Frequency	50 Hz
Capacity	2.31 kW
Fuse	16 A

### 6.2 Water system

Description	Value
Water connection	G 3/4" - outer ring
Minimum water pressure	1.5 bar (150 kPa)
Maximum permitted water pressure	8 bar (800 kPa) <sup>1</sup>

1. If the pressure is higher, a pressure reducer must be installed.

### 6.3 Sound level

Description	Value
In operation	max. 70 dB(A)



Measurements according to DIN 45635, with normal use.

## 6.4 Ambient conditions

Description	Value
Ambient temperature	5 - 40 °C



Never place the machine in a room in which the temperature may drop below 0 °C. This is to keep the water in the machine from freezing.

## 6.5 Dimensions and weight

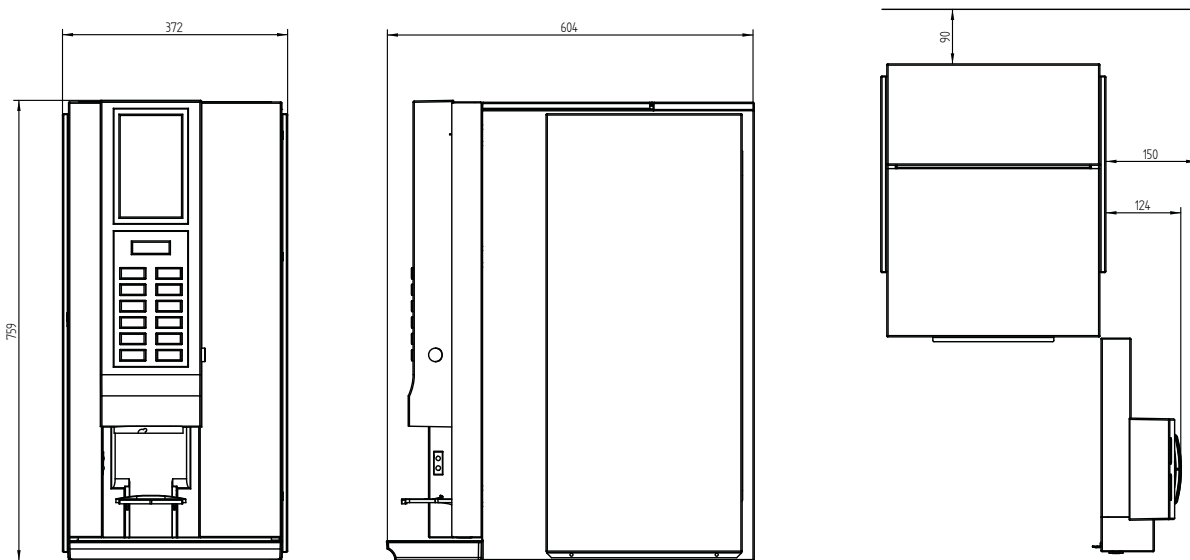


Figure 6-1

Description	Value
Height	759 mm
Width	372 mm
Depth	604 mm
Weight when empty	38 kg
Weight when full	42.5 kg

## 7 SOFTWARE

### 7.1 Software versions

<b>Machine software</b>
Version 2.22, display version 1.19

### 7.2 Levels

The software in the machines has two levels:

- User
- Service engineer

Each level has its own specific options and possibilities. You can access the levels by pressing # on the service panel. The standard pin codes for the operator and service engineer are:

Level	Pin code
User	4321
Service engineer	4231

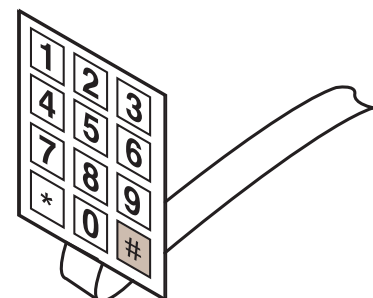


Figure 7-1

### 7.3 User menu (Operator)

Press # on the service panel and enter the PIN code.

The standard PIN code for the user menu is **4321**.

Menu subject	Description
Drink counters	- reading the counter settings per drink - resetting the counter settings
Time & date	- changing time - changing date - changing day - switching on/off on display - setting time adjustment
Temperature	- changing the temperature (set water default 100°C, coffee water default 90°C, range 80-100°C) - setting the sensor

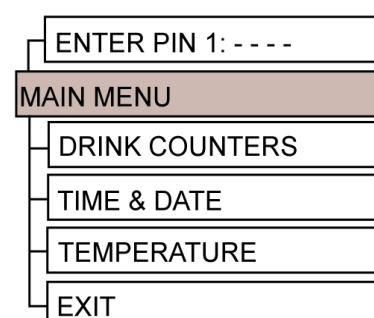


Figure 7-2

## 7.4 Service engineer menu

Press # on the service panel and enter the PIN code.

The standard pin code for the service engineer menu is **4231**.

Menu subject	Description
Drink settings	- changing the drink settings
Drink counters	- reading the drink counters
Machine counters	- reading the machine counters
Cleaning counters	- reading the cleaning counters for the mixers
Time & date	- changing the time and date settings
Timer functions	- changing the timer functions
Temperature	- changing the temperature settings
Error settings	- setting the machine warnings
Settings	- setting the machine parameters
Payment system	- setting the payment system
Pin code	- changing the pin codes

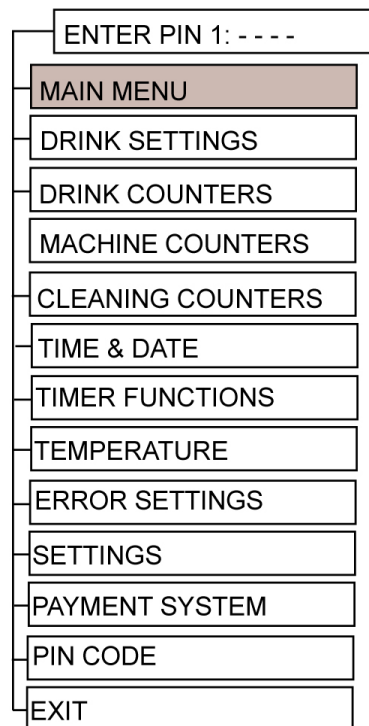


Figure 7-3

7.5 Drink settings

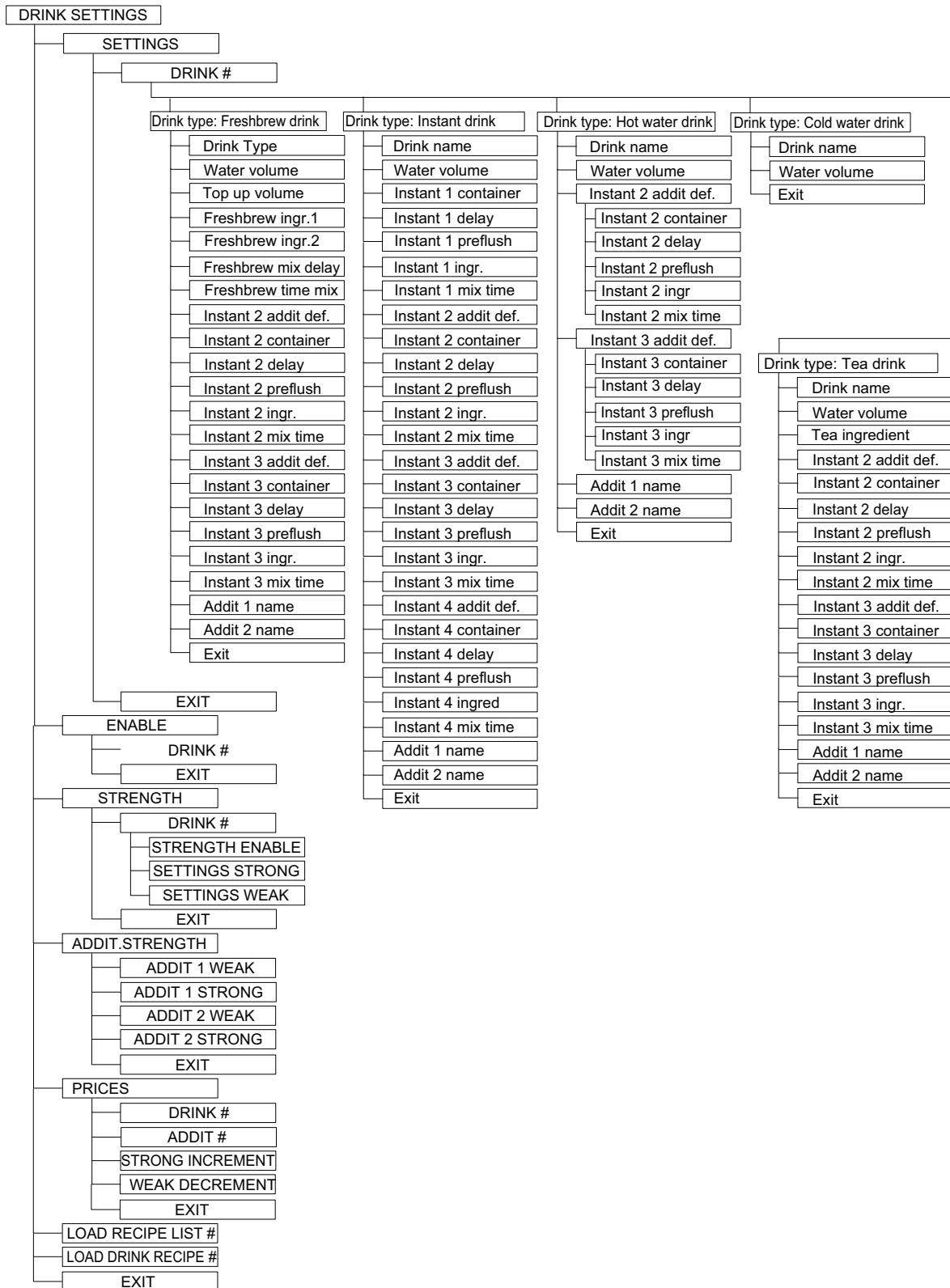


Figure 7-4



Menu subject	Description	Remarks
Settings	- changing the drink settings per drink; drinks 1-8	setting the recipe
Enable	- enabling/disabling drink; drinks 1-8	on/off
Strength	- changing the drink strength per drink; drinks 1-8	enable on/off strong 1-30% weak 1-30%
Additional strength	- changing the additional strength per drink; addition 1-2	weak 1-30% strong 1-30%
Prices	- changing the prices per drink/additions	- addition 1-2 - drink 1-8 - strong increment - weak decrement between 0 and 1000
Load recipe list	- load recipe list; 1-22	
Load drink recipe	- load drink recipe; drink 1-8	

## 7.5.1 Setting drink recipes



Figure 7-5

Menu subject	Description	Remarks
Drink type	- selecting drink type	Fresh brew drink Instant drink Hot water drink Cold water drink Tea drink
Drink name	- selecting name	
Water volume	- entering water volume in seconds	1 sec = ±25 ml water
Top up volume level		
1st ingredient	- select the 1st ingredient required to be dosed	Not for cold water drink
Instant container	- select the desired instant container	

Menu subject	Description	Remarks
Next ingredient	- select the next ingredients required to be dosed 2-5	Not for cold water drink
Delay	- entering delay in seconds	
Mix time	- entering mix time in seconds	
Preflush	- entering preflush time in seconds	
Instant x additive definition	- entering additives	Milk and/or sugar
Addit x name	- select the name of the additive desired	

## 7.6 Drink counters

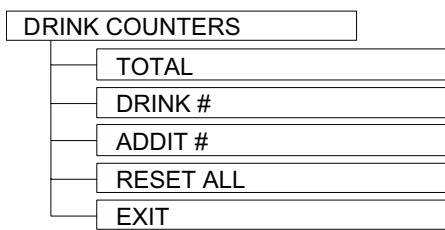


Figure 7-6

Menu subject	Description
Drink counters	- reading the counter settings per drink
Total	- reading total statuses
Drink	- reading counter per drink
Addit	- reading counter for additions
Reset all	- reset all counters

7.7 Machine counters

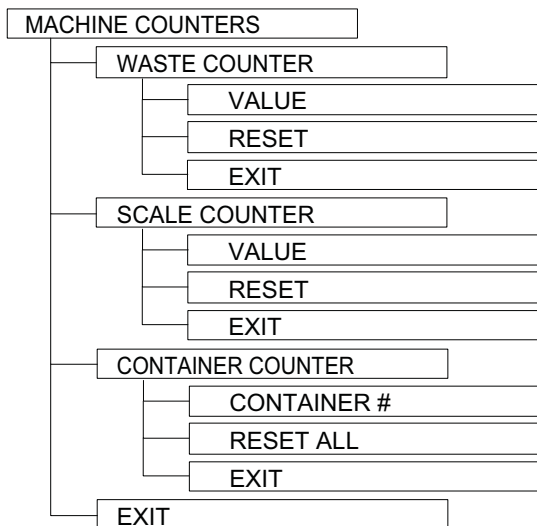


Figure 7-7

Menu subject	Description	Remarks
Machine counters	- reading the machine counters	
Waste counter	- reading/resetting waste counter	standard value 0
Scale counter	- reading/resetting scale counter	standard value 0
Container counter	- reading/resetting container	standard value 0

7.8 Cleaning counters



Figure 7-8

Menu subject	Description
Cleaning counters	- reading cleaning counter
Brewer	- reading/resetting brewer counter
Mixer	- reading/resetting mixer counter per mixer

## 7.9 Time & date

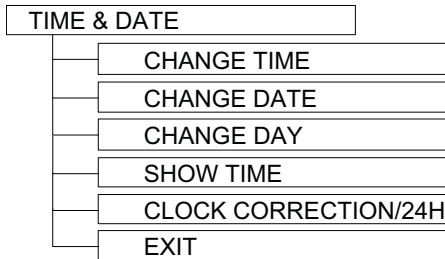


Figure 7-9

Menu subject	Description	Remarks
Time & date	- setting time and date	
Change time	- changing the time	Select item hours and minutes
Change date	- changing the date	Select item day, month and year
Change day	- changing day	Select item Monday-Sunday
Show time	- changing show time	on/off
Clock correction/24 hours	- time adjustment of clock per 24 hours	0-10 sec

7.10 Timer functions

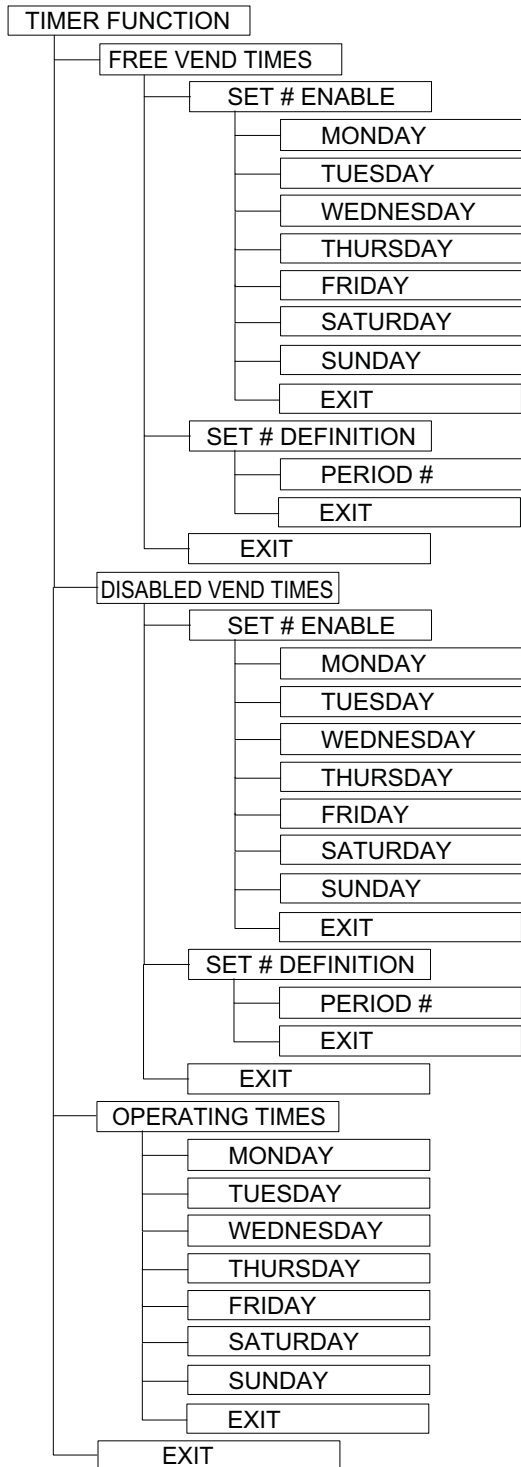


Figure 7-10

Menu subject	Description	Remarks
Timer functions	- setting time functions	

Menu subject	Description	Remarks
Free vend times	- Set the free vend days and times	Set 1-2 enable Monday-Sunday  Set 1-2 defining period 1-10 (00.00 - 23.59)
Disabled vend times	- set the disabled days and times	Set 1-2 enable Monday-Sunday  Set 1-2 defining period 1-10 (00.00 - 23.59)
Operating times	- set the working days	Monday-Sunday 07.00-19.00

## 7.11 Temperature

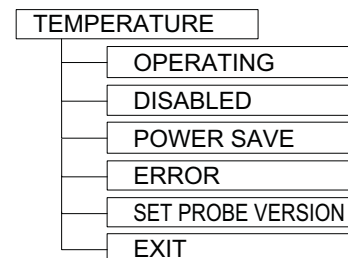


Figure 7-11

Menu subject	Description	Remarks
Temperature	- setting temperature	
Operating	- setting temperature in operation	standard 95°C
Disabled	- setting temperature for when disabled	standard 70°C
Power save	- setting temperature for power save	standard 60 °C
Error	- setting water temperature boiler too low	standard 81°C
Set Probe version	- setting probe version	long/short version

7.12 Error settings

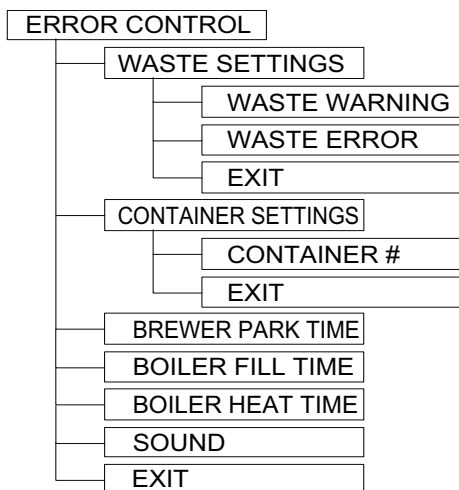


Figure 7-12

Menu subject	Description	Remarks
Error settings	- setting error messages	
Waste settings	- setting error message for waste bucket counter	Not for instant waste warning (0-60) waste error (0-60)
Container setting	- setting error message for container delivery	container 1-5 (0-2500 sec)
Brewer park time	- setting error message for brewer park time	1-150 (40 sec)
Boiler fill time	- setting error message for boiler fill time	0-150 (100 sec)
Boiler heat time	- setting error message for boiler heat time	0-150 (25 min.)
Sound	- setting sound for error message	on/off



## 7.13 Installation

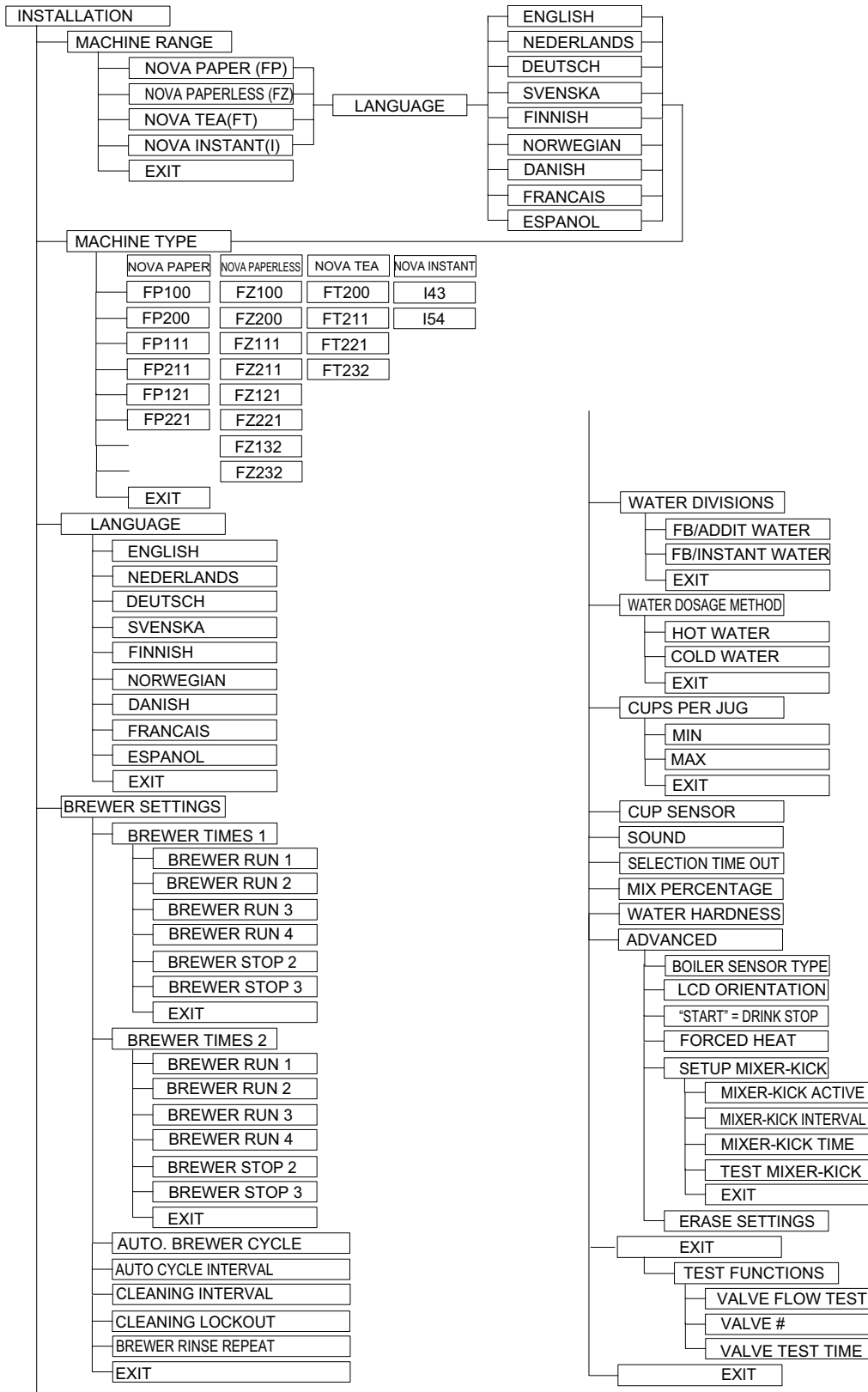


Figure 7-13

Menu subject	Description	Remarks
Installation	- settings for the machine	
Machine range	- setting machine type and language	
Machine type	- setting machine type	
Language	- setting language	
Brewer settings (where applicable)	- brewer times 1-2	brewer run 1-4 0.0 - 20.0 (0.4) brewer stop 2-4 0.0 - 20.0 (1.0)
	- auto brewer cycle	on/off
	- auto cycle interval	0 - 24 hours (6 hour)
	- cleaning interval	
	- cleaning lockout	
	- brewer repeat rinse	
Water division	- setting water division	FB/additional water 10% - 80% (30%) FB/instant water 10% - 80% (30%)
Water dosage method	- setting water dosage	hot water: dosed/maximised (dosed) cold water: dosed/maximised (dosed)
Cups per jug	- setting number of cups per jug	min. 1-12 (1) max. 1-12 (12)
Cup sensor	- setting cup sensor	on/off
Sound	- setting sound	on/off
Selection time out	- setting selection time out	0 - 200 sec (30 sec)
Mix percentage	- setting mix percentage	0 - 100% (80%)
Water hardness	- setting water hardness	0 - 50 (0)
Advanced	- boiler sensor type	resistive/float
	- LCD orientation	vertical/horizontal
	- "start" = drink stop	on/off
	- forced heat	0.0 - 3.0 sec (0.0)
	- setting mixer kick	mixer kick enabled on/off interval mixer kick 1 - 10 (4) time mixer kick 0.1 - 0.5 sec (0.1) testing mixer kick

Menu subject	Description	Remarks
Test functions	- setting test functions flaps	flap 1-5 flap test time 0.0 - 10.0 sec (4.0 sec)

## 7.14 Payment system

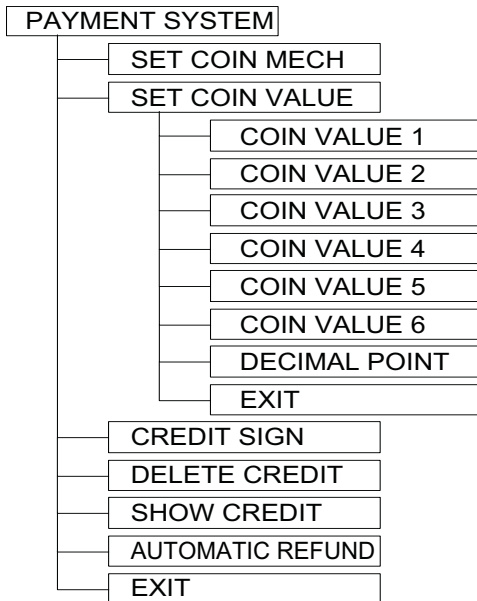


Figure 7-14

Menu subject	Description
Payment system	- setting the payment system
Coin mechanism type	- setting coin mechanism type
Coin values	- setting coin values
Credit sign	- setting credit sign
Delete credit	- setting delete credit
Show credit	- setting show credit
Automatic refund	- setting automatic refund

## 7.15 Pin code

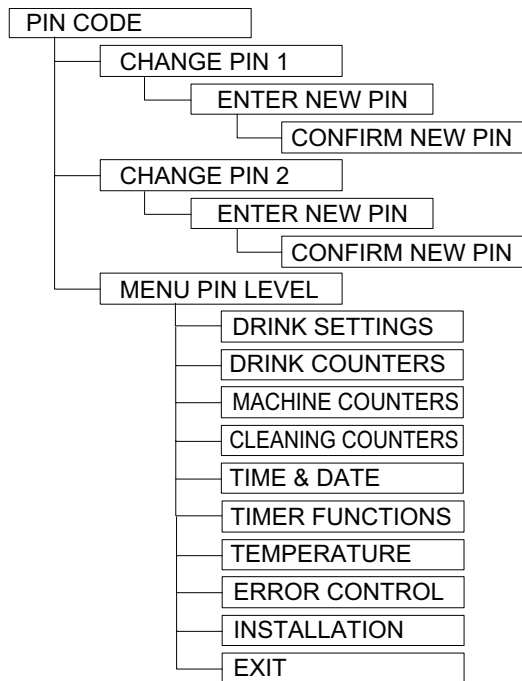


Figure 7-15

Menu subject	Description
Pin code	- setting pin code
Change pin 1	- changing pin code 1
Change pin 2	- changing pin code 2
Menu pin level	- setting which pin applies to which function

## 7.16 Adjusting brewing group cycles

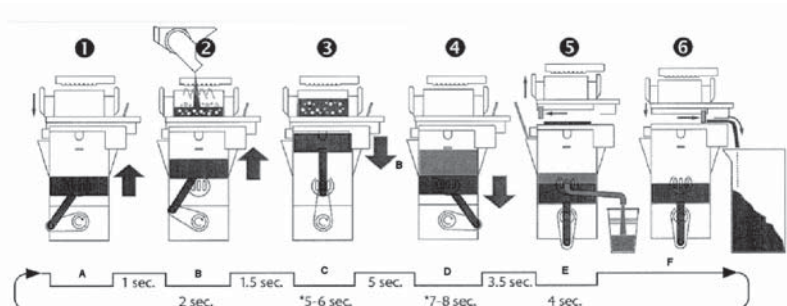


Figure 7-16 Brewer cycles

- A = Starting position (home)
- B = Pause step
- C = Pause top point
- D = Pause bottom point
- E = Pouring pause
- F = Return to starting position (home)

Two sets of brewer run times and brewer stop times can be created in the software menus.

- Set 1 is for normal coffee
- Set 2 is for decaf coffee.

Example recipe

- Water 5.0
- Ingredient 3.0 sec
- Dosage time 5.0 sec

Step	Time	Remarks
Begin	-	home position
run 1	0.4 sec	To fill position and close off the chamber
dosage time	0.5 sec	Dose ingredient and water; the duration is the longest time for water and ingredient
run 2	3.6 sec	Press air out of the brewer chamber using coffee with water to the highest cylinder position
stop2	4.5 sec	Wait a moment to ensure better coffee extraction
run 3	3.5 sec	Move the cylinder downwards and create a vacuum
stop 3	1.0 sec	Watch until the vacuum draws the coffee through the filter
run 4	3.0 sec	Increase the vacuum and move to the bottom position so that the coffee can ultimately run out of the brewer.
stop 4	3.0 sec	Wait until the coffee has run out of the cylinder
preparation time 1x coffee	20.5 sec	-

Step	Time	Remarks
Close the brewer	xx.x sec	Move the brewer to the home position Brush the coffee from the filter in the process



The completed step times are the standard set times (default).

## 7.17 Calibrate the valves



Calibrating the machine requires the following:

- 0.5 l measuring jug
- scales accurate to 0.1 g

- 1 Open the door and insert the service key.
- 2 Determine the weight of the empty measuring jug.
- 3 Place the measuring jug under the dispensing holder.
- 4 Press **#4231** on the service panel; this takes you to the Service engineer menu.
- 5 Go to Installation and press Start.
- 6 Go to Test functions and press Start.
- 7 Check the Valve test time; this must be 4.0 sec.
- 8 Scroll through the next items:
  - Select Start valve no.1 and press Start.
  - Select the valve to be calibrated and press Start.
  - Weigh the quantity delivered.
  - Check whether  $100 \pm 2$  ml water is delivered. If more or less water is delivered then the valve must be adjusted; see the adjustment procedure in par. 8.3.
  - Empty the cup.
  - Repeat these steps for each valve.
- 9 Press Exit and press Start.
- 10 Restart the machine; see the restart procedure in par. 9.4.

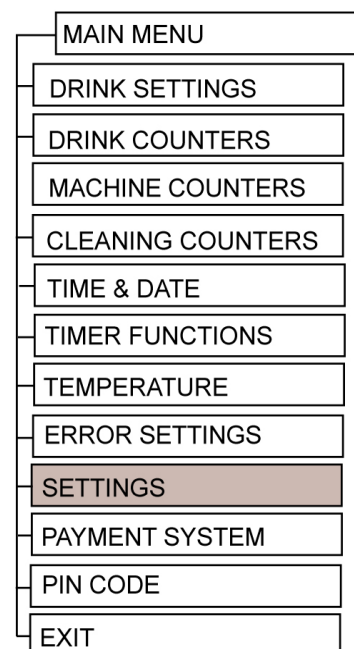


Figure 7-17

## 8 INSTALLATION

### 8.1 Connecting the machine

1. Place the machine on a stable and dry surface; see Section 6.
2. Connect to the tap using a water hose with the correct screw thread (3/4 inch BSP) and turn on the tap. Make sure there are no leaks.
3. Electronic safety can only be ensured if a correctly earthed wall socket is used, as prescribed in the requirements regarding electronic safety.
4. The supplier cannot be held responsible if the wall socket does not meet the set safety requirements.  
If in doubt as to whether a socket is correctly earthed, please contact a specialist.  
If the plug cannot be used with the wall socket, the wall socket must be replaced.
5. The machine must be installed. A password is required for this purpose. This will be provided by your supplier.
6. Close the door.
  - Wait until the software is ready.
  - The display shows the message when this status is reached.



The supplier cannot be held responsible for damage to the machine resulting from incorrect handling.

### 8.2 Adjusting the wiper on the filter

Check the pressure of the wiper on the filter:

1. Open the door and insert the service key.
2. Press button 5 on the service panel; the brewing group opens.
3. Press button 5 again; the brewing group closes and opens again.
4. Check the position of the wiper on the filter, the wiper must rest slightly curved on the filter surface (*see figure 8-1*)
  - In figure A, the wiper is positioned too loosely on the filter
  - In figure B, the wiper is positioned correctly on the filter
  - In figure C, the wiper is positioned too tightly on the filter
5. If the wiper pressure is not correct then it must be adjusted again; see "Adjusting wiper".
6. Remove the service key.
7. Close the door.

Adjusting wiper:

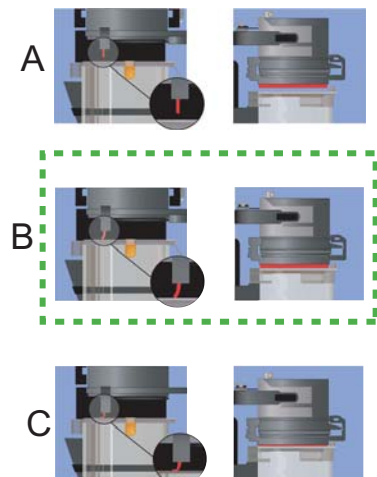


Figure 8-1

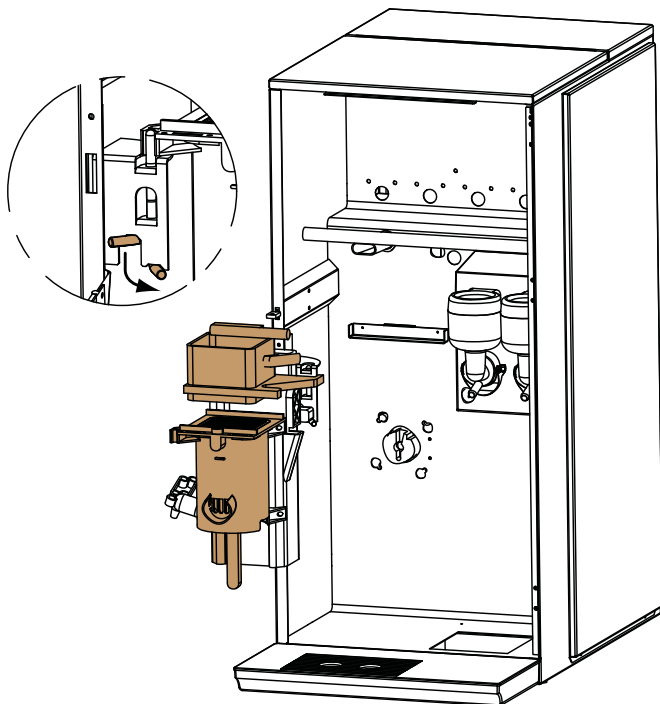


Figure 8-2 Removing the brewing group.

1. Open the door and insert the service key.
2. Detach the water supply to the brewing group.
3. Press button 5 on the service panel; the brewing group opens.
4. Remove the service key.
5. Remove the dispensing holder.
6. Remove the espresso mixer holder (optional).
7. Remove the dispensing nozzle of the brewing group.
8. Pull and turn the lock pin downwards (see figure 8-2)
9. Lift the brewing group slightly and remove it from the suspension bracket.
10. Place the brewing group on a flat and firm surface.
11. Remove the suspension bracket on the rear of the brewing group.
12. Remove the bracket (see figure 8-3)
13. Depending on the distance to be set, use:
  - Filler plates for distances < 1 mm
  - Twisting the T-bar; 1 rotation = 1 mm
14. Replace the bracket.
15. Fit the suspension bracket on the rear of the brewing group again.
16. Hang the brewing group in the suspension bracket.
17. Pull and turn the lock pin upwards so that the brewing group is disabled.
18. Fit the dispensing nozzle of the brewing group.
19. Insert the espresso mixer holder (optional).
20. Insert the dispensing holder.
21. Insert the service key.
22. Press button 5; repeat until the brewing group is completely closed.
23. Attach the water supply to the brewing group.
24. Remove the service key.
25. Close the door.

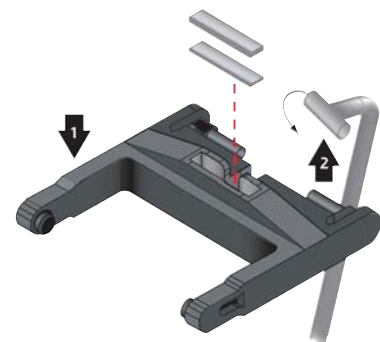


Figure 8-3



The brewing group will only be fully in position when the brewing group is closed.



## 8.3 Adjusting the valve



All boiler parts and the water from the boiler are hot.

- 1 Open the door.
- 2 Access the machine; see par. 9.2.2. Remove the rear panel.
- 3 Twist the adjusting screw on the valve using a 5 mm Allen key.
- 4 Close the rear panel.
- 5 Close the door.

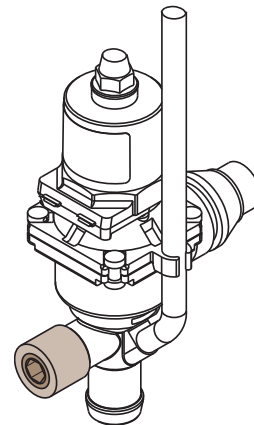


Figure 8-4

## 8.4 Test the buttons



The Shift button has a different test function.

1. Press # on the service panel and enter the PIN code.
2. Press 9.
  - All the lights under the buttons will light up.
  - The display will show: **BUTTON/LED TEST**  
Press any button  
Restart: "1"  
Exit: "0"
3. Press any button and the light underneath will go out.
4. Press the same button again and the light underneath will light up again.
5. The Shift button has a different test function: pressing it turns the lights in sequence to white/green/red/deliver left/delivery right. The light under the Shift button does not go out.
6. Press 1 on the service panel to restart.
7. Press 0 on the service panel to stop the test.

## 9 REPLACEMENT OF PARTS

### 9.1 Safety requirements - replacing parts



Remove the plug from the wall socket before repairing or replacing any part.

- See also par. 3.1.
- Check the wiring for damage before beginning the repair work.
- Do not re-use self-locking materials and hose clips.
- Ensure everything is clean and dry again after the repair work.

### 9.2 Repairs



Remove the plug from the socket before carrying out a repair.

Close the water tap and disconnect the water supply hose, where applicable.

Position the machine so that there is easy access to the left and right sides and the rear.

#### 9.2.1 Access to the machine



Be careful when moving the machine. The machine is heavy, see par. 6.5.

- 1 Read the safety instructions, see par. 9.1.
- 2 Remove the plug from the socket.

### 9.2.2 Removing the plating



Be careful when moving the machine. The machine is heavy, see par. 6.5.



All boiler parts and the water from the boiler are hot.

- 1 Access the machine; see par. 9.2.1.
- 2 Remove the drip tray.
- 3 Open the upper lid.

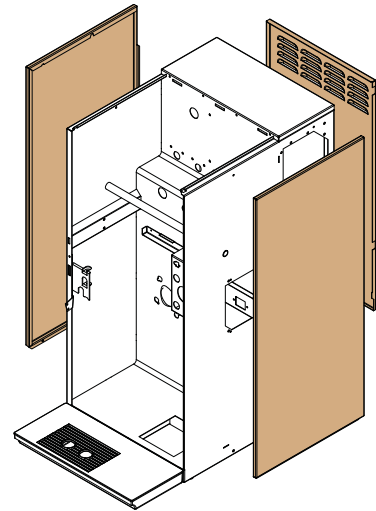


Figure 9-1

#### *Accessing the rear of the machine:*

- 1 Remove the two screws on the top.
- 2 Lift the rear plate and remove from the machine.

#### *Accessing the left side of the machine:*

- 1 Remove the two screws on the bottom.
- 2 Lift the left side plate approximately 40 mm.
- 3 Rotate the plate clockwise off the machine. Remove the plate from the machine.

#### *Accessing the right side of the machine:*

- 1 Remove the two screws on the bottom.
- 2 Lift the right side plate approximately 40 mm.
- 3 Rotate the plate anti-clockwise off the machine. Remove the plate from the machine.

## 9.3 Emptying the boiler



All boiler parts and the water from the boiler are hot.

- 1 Close the water tap.
- 2 Open the door.
- 3 Access the machine; see par. 9.2.2. Remove the rear panel.
- 4 Remove the discharge hose D from the holder and hang it safely in a bucket E (min. 10 litre).
- 5 Open the hose clip B and empty the boiler.
- 6 Replace the discharge hose in the holder.
- 7 Place the hose clip on the discharge hose.
- 8 Close the rear panel.
- 9 Close the door.

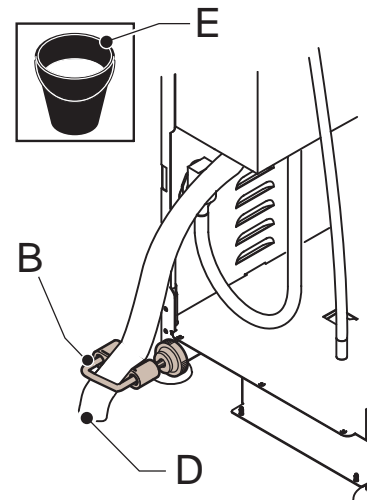


Figure 9-2

## 9.4 Restarting

- 1 Check that the wiring has been connected correctly.
- 2 Check that the hoses and flaps have been connected correctly.
- 3 Replace the plating on the machine.
- 4 Connect the water supply hose again (where applicable) and open the tap.
- 5 Reconnect the mains.
- 6 Carry out the daily maintenance; see par. 4.5.
- 7 Close the door.
  - Wait until the software is ready.
  - The display shows the message when this status is reached.
- 8 Check the machine for leaks.
- 9 The machine is ready for use again.

## 9.5 Drink selection labels

- 1 Remove the relevant button by gripping it between your thumb and index finger and pulling it backwards and to the right.

The drink label is loose inside the button.

- 2 Remove the existing drink label.
- 3 Apply the new label.

Make sure that the label is positioned correctly.

- 4 Replace the button by pressing it on the relevant position on the machine. Check that the button is positioned correctly, that it is correctly attached and that it can be pressed in.

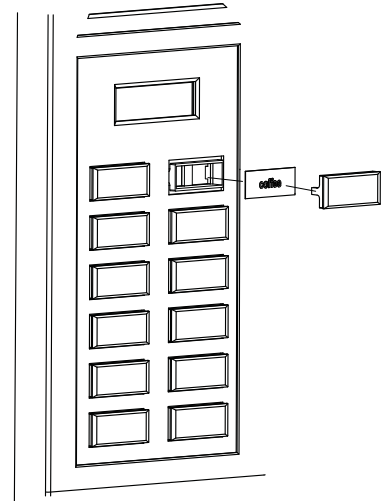


Figure 9-3

## 9.6 Replacing the inlet valve

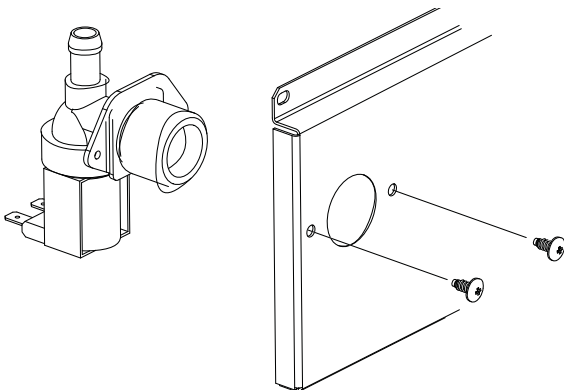


Figure 9-4

- 1 Empty the boiler, see par. 9.3.
- 2 Remove the plating on the right side, see par. 9.2.2.
- 3 Disconnect the wiring from the inlet valve.
- 4 Disconnect the water hoses from the inlet valve.
- 5 Unscrew the two screws from the inlet valve.
- 6 Replace the inlet valve.
- 7 Connect the water hose to the inlet valve.
- 8 Connect the wiring to the inlet valve.
- 9 Restart the machine; see the restart procedure in par. 9.4.

## 9.7 Replacing the boiler



All boiler parts can be hot and the water from the boiler is hot.

- 1 Empty the boiler, see par. 9.3
- 2 Remove the plug from the wall socket so that the machine carries no voltage.
- 3 Close the water tap.
- 4 Remove the right panel and the rear panel; see par. 9.2.2
- 5 Remove the valves from the boiler; leave the wiring and hoses in place.
- 6 Twist the boiler out of the machine.
- 7 Disconnect the wiring from the boiler sensor and the heating element.



Make a note of how the wiring is connected.

- 8 Disconnect the inlet pipe from the boiler.
- 9 Disconnect the overflow hose from the boiler.
- 10 Disconnect the discharge hose from the boiler.
- 11 Remove the cover insulation and the boiler lid.

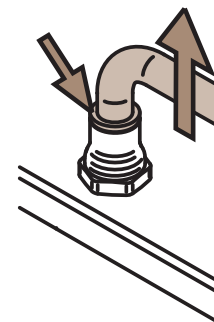


Figure 9-5

- 12 Remove the heating element.

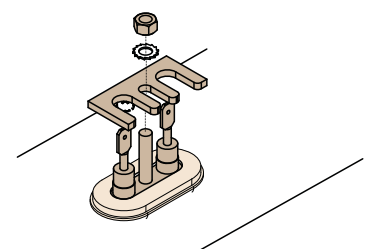


Figure 9-6

13 Remove the boiler sensor (1) and the sealing ring (2).

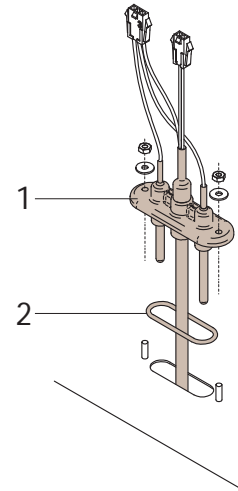


Figure 9-7

14 Remove the boiler by removing the bottom screw (3) and pushing the boiler upwards.

15 Position the new boiler and fit the bottom screw.

16 Fit the heating element on the lid.

17 Fit the boiler sensor (1) on the lid; pay attention to the sealing ring (2) during this process.

18 Position the boiler lid and the cover insulation.

19 Connect the discharge hose to the boiler.

20 Connect the overflow hose to the boiler.

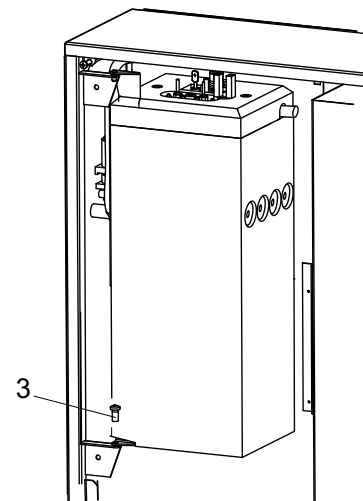


Figure 9-8

21 Connect the inlet pipe to the boiler.

22 Connect the wiring for the boiler sensor and the heating element.

23 Twist the boiler back into the machine.

24 Replace the valves in the boiler, ensuring that the wiring and hoses are securely attached and not kinked.

25 Restart the machine; see the restart procedure in par. 9.4

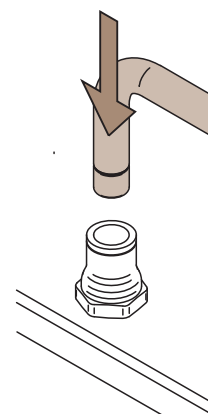


Figure 9-9

## 9.8 Replacing the boiler sensor



All boiler parts can be hot and the water from the boiler is hot.

- 1 Empty the boiler, see par. 9.3.
- 2 Remove the plug from the wall socket so that the machine carries no voltage.
- 3 Close the water tap.
- 4 Remove the right panel and the rear panel; see par. 9.2.2.
- 5 Remove the valves from the boiler; leave the wiring and hoses in place.
- 6 Twist the boiler out of the machine.
- 7 Disconnect the wiring from the boiler sensor and the heating element.



Make a note of how the wiring is connected.

- 8 Remove the boiler sensor.
- 9 Fit the new boiler sensor (1) on the lid; pay attention to the sealing ring (2) during this process.
- 10 Position the boiler lid and the cover insulation.
- 11 Connect the wiring for the boiler sensor and the heating element.
- 12 Twist the boiler back into the machine.
- 13 Replace the valves in the boiler, ensuring that the wiring and hoses are securely attached and not kinked.
- 14 Restart the machine; see the restart procedure in par. 9.4.

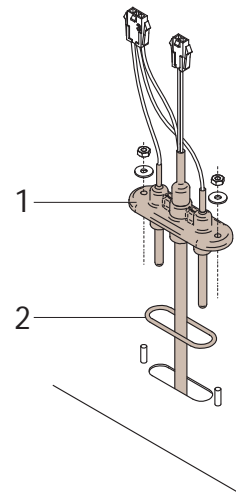


Figure 9-10



## 9.9 Replacing the heating element



All boiler parts can be hot and the water from the boiler is hot.

- 1 Empty the boiler, see par. 9.3.
- 2 Remove the plug from the wall socket so that the machine carries no voltage.
- 3 Close the water tap.
- 4 Remove the right panel and the rear panel; see par. 9.2.2.
- 5 Remove the valves from the boiler; leave the wiring and hoses in place.
- 6 Twist the boiler out of the machine.
- 7 Disconnect the wiring from the boiler sensor and the heating element.



Make a note of how the wiring is connected.

- 8 Disconnect the inlet pipe from the boiler.
- 9 Disconnect the overflow hose from the boiler.
- 10 Disconnect the discharge hose from the boiler.
- 11 Remove the cover insulation and the boiler lid.

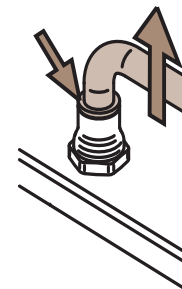


Figure 9-11

- 12 Remove the heating element.
- 13 Fit the new heating element on the lid.
- 14 Fit the boiler lid and the cover insulation.
- 15 Connect the discharge hose to the boiler.
- 16 Connect the overflow hose to the boiler.

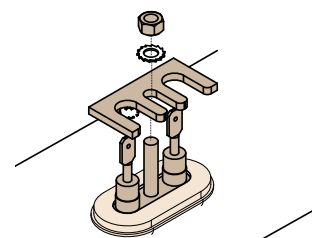


Figure 9-12

- 17 Connect the inlet pipe to the boiler.
- 18 Connect the wiring for the boiler sensor and the heating element.
- 19 Twist the boiler back into the machine.
- 20 Replace the valves in the boiler, ensuring that the wiring and hoses are securely attached and not kinked.
- 21 Restart the machine; see the restart procedure in par. 9.4.

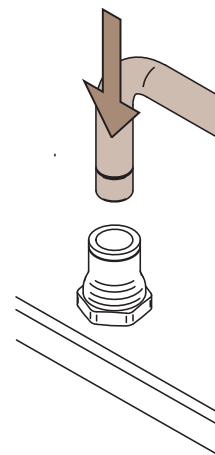


Figure 9-13

## 9.10 Replacing the valve



All boiler parts can be hot and the water from the boiler is hot.

- 1 Empty the boiler, see par. 9.3.
- 2 Remove the plug from the wall socket so that the machine carries no voltage.
- 3 Close the water tap.
- 4 Remove the rear panel; see par. 9.2.2.
- 5 Remove the valve from the boiler; leave the wiring and hoses in place.
- 6 Disconnect the wiring from the valve.



Make a note of how the wiring is connected.

- 7 Disconnect the hoses from the valve.
- 8 Connect the hoses for the valve.
- 9 Connect the wiring for the valve.
- 10 Position the valve on the boiler, ensuring that the wiring and hoses are securely attached and not kinked.
- 11 Calibrate the valves; see procedure par. 7.17.

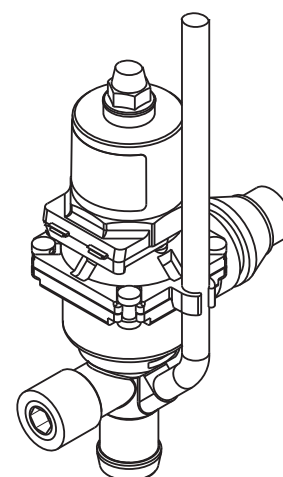


Figure 9-14

## 9.11 Replacing the brewing group engine

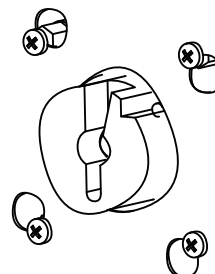


Figure 9-15 Brew-  
ing group front

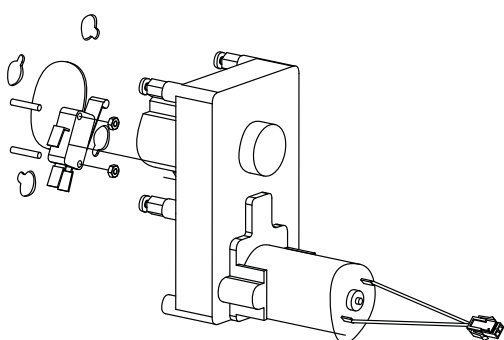


Figure 9-16 Brewing group rear

### Removing the brewing group engine

- 1 Remove the brewing group, see para. 4.6.2.
- 2 Access the machine; see par. 9.2.1.
- 3 Remove the plating on the left side, see par. 9.2.2.
- 4 Disconnect the wiring from the brewing group engine (rear of the machine).
- 5 Unscrew the two bolts from the microswitch on the brewing group engine (front of the machine).
- 6 Remove the microswitch from the brewing group engine.
- 7 Unscrew the four screws from the brewing group engine (front of the machine); do not remove the screws.
- 8 Twist the brewing group engine from the rear by 15° and remove the brewing group engine from the fixing.

### Fitting the brewing group engine

- 1 Loosen the four screws from the brewing group engine before positioning it; do not remove the screws.
- 2 Position the brewing group engine in the installation holes from the rear and twist it back by 15°.

- 3 Tighten the four screws for the brewing group engine (front of the machine).
- 4 Fit the microswitch with the two bolts on the brewing group engine.
- 5 Reconnect the wiring for the brewing group engine (rear of the machine).
- 6 Position the brewer, see par. 4.6.2.
- 7 Restart the machine; see the restart procedure in par. 9.4.

## 9.12 Replacing the extraction fan

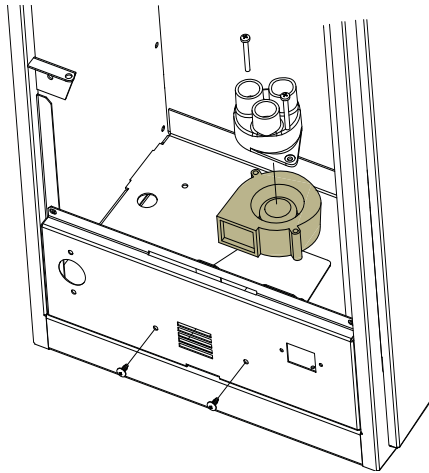


Figure 9-17

- 1 Access the machine; see par. 9.2.1.
- 2 Remove the plating on the rear, see par. 9.2.2.
- 3 Remove the exhaust hoses.
- 4 Remove the two screws from the manifold for the exhaust hoses.
- 5 Remove the manifold from the exhaust hoses.
- 6 Disconnect the wiring from the fan.
- 7 Remove the two screws from the fan fixing.
- 8 Replace the fan.
- 9 Fit the fan fixing with the two screws.
- 10 Connect the wiring.
- 11 Fit the manifold from the exhaust hoses.
- 12 Replace the exhaust hoses.
- 13 Restart the machine; see the restart procedure in par. 9.4.

### **9.13 Replacing the microswitch for the brewing group engine**

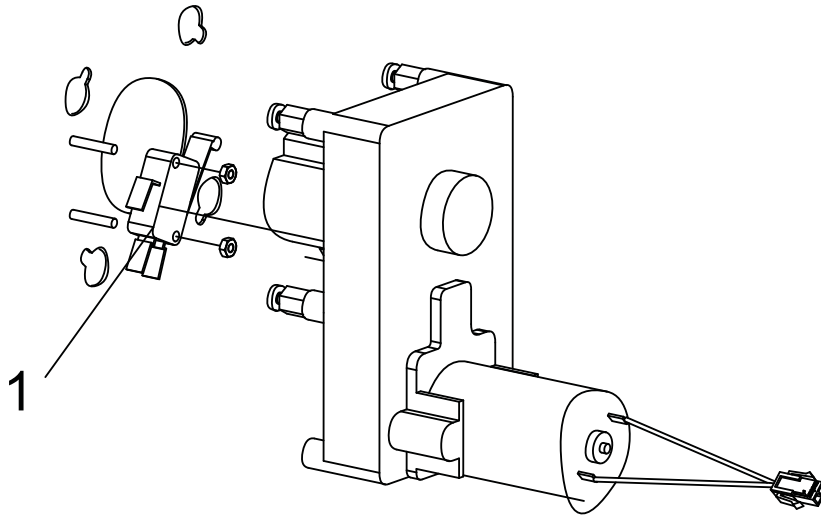


Figure 9-18 Image of sensor and engine unattached

#### **Removing the microswitch**

- 1 Access the machine; see par. 9.2.1.
- 2 Remove the plating on the left side, see par. 9.2.2.
- 3 Disconnect the wiring from the microswitch (1) (rear of the machine).
- 4 Unscrew the two bolts from the microswitch on the brewing group engine (front of the machine).
- 5 Remove the microswitch from the brewing group engine.

#### **Fitting the microswitch**

- 1 Fit the microswitch with the two bolts on the brewing group engine.
- 2 Reconnect the wiring for the microswitch (rear of the machine).
- 3 Restart the machine; see the restart procedure in par. 9.4.

## 9.14 Replacing the mixer engine

### Removing the mixer engine

- 1 Remove the mixer parts, see para. 4.6.1.
- 2 Access the machine; see par. 9.2.1.
- 3 Remove the plating on the rear, see par. 9.2.2.
- 4 Disconnect the wiring from the engine (rear of the machine).
- 5 Remove the two screws and supports that are used to fit the engine (front of the machine).
- 6 Remove the engine.

### Fitting the mixer engine

- 1 Position the engine in the installation holes from the rear.
- 2 Fit the supports and screw the engine in place (front of the machine).
- 3 Reconnect the wiring for the engine (rear of the machine).
- 4 Position the mixer parts, see para. 4.6.1.
- 5 Restart the machine; see the restart procedure in par. 9.4.

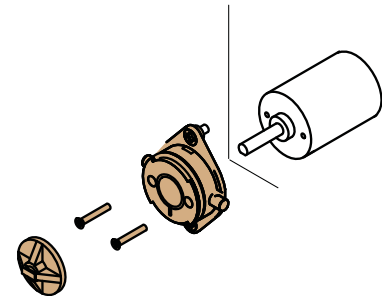


Figure 9-19

## 9.15 Replacing the ingredient engine

### Removing the ingredient engine

- 1 Access the machine; see par. 9.2.1.
- 2 Remove the plating on the rear, see par. 9.2.2.
- 3 Only remove the boiler if necessary; see par. 9.7.
- 4 Open the door of the machine.
- 5 Remove the containers.
- 6 Remove the gear wheel for the relevant engine axle.
- 7 Disconnect the connector from the engine (rear of the machine).
- 8 Remove the four screws that are used to fit the engine.
- 9 Remove the engine by sliding it to the right and downwards under the mounting bracket.

## Fitting the ingredient engine

- 1 Position the engine in the mounting bracket from below.
- 2 Screw the engine in place with the four screws.
- 3 Reconnect the connector for the engine.
- 4 Position the gear wheel on the engine axle.
- 5 Position the containers.
- 6 Restart the machine; see the restart procedure in par. 9.4.

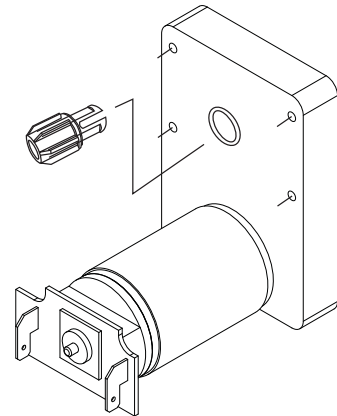


Figure 9-20

## 9.16 Replacing the espresso mixer

- 1 Access the machine; see par. 9.2.1.
- 2 Open the door of the machine.
- 3 Remove the dispensing holder.
- 4 Remove the mixing chamber.
- 5 Disconnect the connector from the engine.
- 6 Remove the 3 screws that are used to fit the engine.
- 7 Replace the engine including the housing.
- 8 Fit the engine with the 3 screws; pay attention to the position in relation to the hinge.
- 9 Reconnect the connector for the engine.
- 10 Position the mixing chamber.
- 11 Insert the dispensing holder.
- 12 Restart the machine; see the restart procedure in par. 9.4.

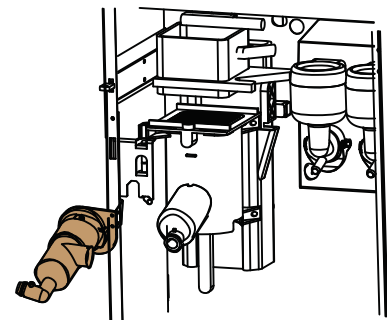


Figure 9-21

## 9.17 Replacing the drip tray sensor

- 1 Access the machine; see par. 9.2.1.
- 2 Remove the plating on the left side, see par. 9.2.2.
- 3 Disconnect the wiring from the sensor.
- 4 Unscrew the two screws (A) from the sensor fixing.
- 5 Replace the drip tray sensor (B).
- 6 Connect the wiring.
- 7 Restart the machine; see the restart procedure in par. 9.4.

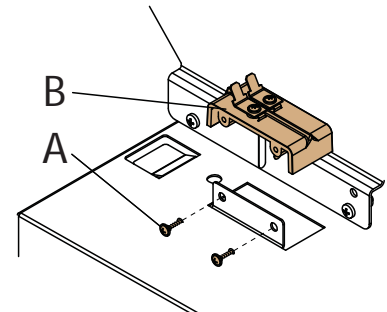


Figure 9-22

## 9.18 Door plate



Note : The printed circuit boards are ESD sensitive. Use ESD protection before working on these parts. Wear an ESD wristband and connect it to the machine frame.

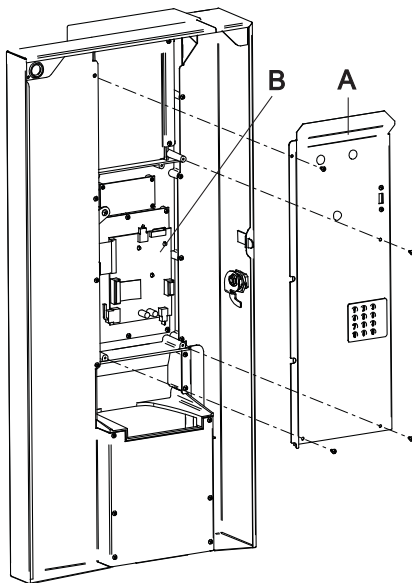


Figure 9-23

- A=Door plate
- B=Display PCB



## Removing the door plate

- 1 Access the machine; see par. 9.2.1.
- 2 Unscrew the plate (A).
- 3 Disconnect the flat cable for the service panel from the display PCB (B).
- 4 Remove the plate.

## Fitting the door plate

- 1 Connect the flat cable for the service panel to the display PCB (B).
- 2 Fit the plate (A).
- 3 Restart the machine; see the restart procedure in par. 9.4.

## 9.19 Replacing the cup sensor



Note : The printed circuit boards are ESD sensitive. Use ESD protection before working on these parts. Wear an ESD wristband and connect it to the machine frame.

- 1 Remove the door plate; see par. 9.18.
- 2 Disconnect the sensor connector from the display PCB.
- 3 Unscrew the 2 screws from the sensor fixing.
- 4 Replace the complete sensor.
- 5 Fit the sensor fixing with the 2 screws.
- 6 Connect the sensor connector to the display PCB.
- 7 Fit the door plate; see par. 9.18.

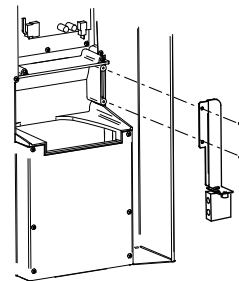


Figure 9-24

## 9.20 LCD display and display PCB



Note : The printed circuit boards are ESD sensitive. Use ESD protection before working on these parts. Wear an ESD wristband and connect it to the machine frame.

### Replacing the LCD display

- 1 Remove the door plate; see par. 9.18.
- 2 Remove the 4 screws from the LCD display (C).
- 3 Remove the LCD display.
- 4 Position the LCD display and align the display with the frame in the door. Position the 4 screws.
- 5 Fit the door plate; see par. 9.18.

### Replacing the display PCB

- 1 Remove the door plate; see par. 9.18.
- 2 Detach the display PCB (B) from the 3 clamping pins that are used to attach it.
- 3 Remove the display PCB.
- 4 Position the display PCB by pressing it onto the three clamping pins.
- 5 Connect the connectors to the display PCB (B).
- 6 Fit the door plate; see par. 9.18.

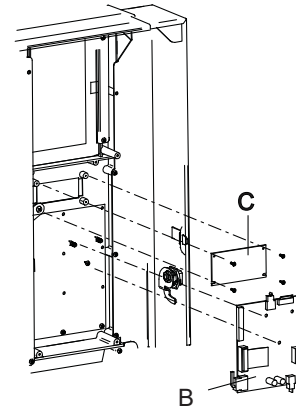


Figure 9-25

### 9.21 Replacing the selection panel print



Note : The printed circuit boards are ESD sensitive. Use ESD protection before working on these parts. Wear an ESD wristband and connect it to the machine frame.

- 1 Remove the door plate; see par. 9.18.
- 2 Disconnect the connectors from the display PCB (B).
- 3 Detach the display PCB from the 3 clamping pins that are used to attach it.
- 4 Remove the display PCB.
- 5 Disconnect the connector from the selection panel PCB (D).
- 6 Unscrew the 8 screws from the PCB fixing.
- 7 Replace the selection panel PCB.
- 8 Fit the selection panel PCB with the 8 screws.
- 9 Connect the connector to the selection panel PCB.
- 10 Position the display PCB (B) by pressing it onto the three clamping pins.
- 11 Connect the connectors to the display PCB.
- 12 Fit the door plate; see par. 9.18.

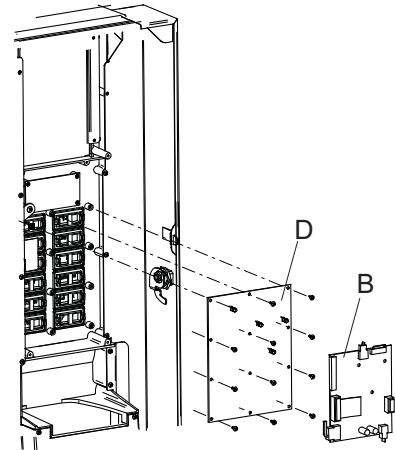


Figure 9-26

## 9.22 Replacing the illumination panel



Note : The printed circuit boards are ESD sensitive. Use ESD protection before working on these parts. Wear an ESD wristband and connect it to the machine frame.

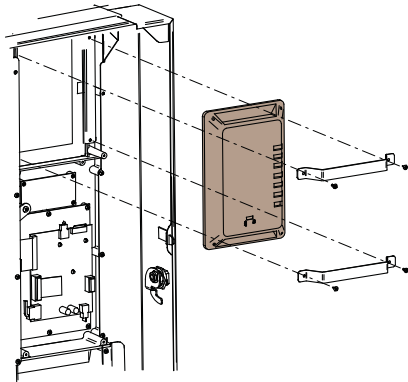


Figure 9-27

- 1 Remove the door plate; see par. 9.18.
- 2 Detach the illumination panel (E) from the 3 clamping pins that attach it to the door plate (A).
- 3 Disconnect the wiring from the illumination panel.
- 4 Replace the illumination panel.
- 5 Connect the wiring for the illumination panel.
- 6 Position the illumination panel by pressing it onto the three clamping pins on the door plate.
- 7 Fit the door plate; see par. 9.18.

### 9.23 Digital photo frame (optional)



A digital photo frame can also be fitted instead of the standard lighting panel.

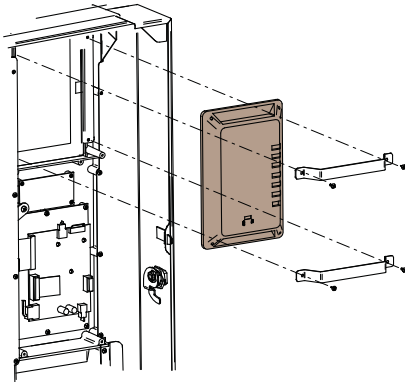


Figure 9-28

#### Replacing the photo frame

- 1 Remove the door plate; see par. 9.18.
- 2 Disconnect the connector from the photo frame.
- 3 Remove both the brackets that attach the photo frame.
- 4 Replace the photo frame; make sure that the display is positioned correctly.
- 5 Fit both brackets.
- 6 Reconnect the connector to the photo display.
- 7 Fit the door plate; see par. 9.18.

## Replacing the power supply for the digital photo frame

- 1 Remove the door plate; see par. 9.18.
- 2 Access the machine; see par. 9.2.1.
- 3 Remove the plating on the right side, see par. 9.2.2.
- 4 Isolate the connectors from the power supply.
- 5 Remove the tie wraps that attach the power supply.
- 6 Replace the power supply.
- 7 Attach the power supply tie wraps.
- 8 Connect the connectors to the power supply.
- 9 Fit the door plate; see par. 9.18.
- 10 Restart the machine; see the restart procedure in par. 9.4.

## Operating the photo frame



Please refer to the manuals enclosed for the correct use of the remote control and the digital photo frame.

The photo frame is operated with the remote control.

The photos can be stored on a memory card (SD, MS, MMC, XD). The photos must be in JPG format.

The computer files can be loaded via the USB connection on the door plate (inside of the door).

### Photo frame settings

- 1 Press the SETUP button on the remote control or select Setup in the main menu.
- 2 The following settings can be created in the Setup menu:
  - Interval: the time between the photos
  - Transition effect: the transition between the photos
  - Browse mode: searching with thumbnails or file names
- 3 The following settings can be created in the Photo setting menu:
  - Photo: switching the playback of photos on/off
  - Music: n/a
  - Movie: n/a
- 4 The following settings can be created in the Display setting menu:
  - TV standard: NTSC, PAL or Auto
  - Brightness
  - Contrast
  - TFT brightness
  - TFT contrast
  - TFT saturation: saturation of the colours
- 5 The following settings can be created in the Custom setup menu:
  - OSD language: the language setting on the screen
  - UI style: the style of the screen menus
  - Contrast
  - Repeat mode: the repeat setting
    - OFF: repeat off
    - On: repeat file
    - Leaflet: repeat folder
    - All: repeat all files
  - Default: exit to factory settings
  - Exit
- 6 Exit: exit to the main menu

## 9.24 Replacing the control PCB



Note : The printed circuit boards are ESD sensitive. Use ESD protection before working on these parts. Wear an ESD wristband and connect it to the machine frame.

- 1 Access the machine; see par. 9.2.1.
- 2 Remove the plating on the left side, see par. 9.2.2.
- 3 Disconnect the 5 connectors from the control PCB.
- 4 Detach the control PCB from the 5 clamping pins that attach it to the machine.
- 5 Replace the control PCB.
- 6 Position the control PCB by pressing it onto the 5 clamping pins.
- 7 Connect the 5 connectors to the control PCB.
- 8 Restart the machine; see the restart procedure in par. 9.4.

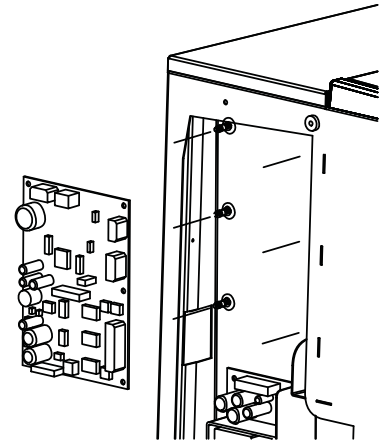


Figure 9-29

## 9.25 Replacing the level sensor PCB



Note : The printed circuit boards are ESD sensitive. Use ESD protection before working on these parts. Wear an ESD wristband and connect it to the machine frame.

- 1 Access the machine; see par. 9.2.1.
- 2 Remove the plating on the left side, see par. 9.2.2.
- 3 Disconnect the 2 connectors from the level sensor PCB.
- 4 Detach the level sensor PCB from the 2 clamping pins that attach it to the machine.
- 5 Replace the level sensor PCB.
- 6 Position the level sensor PCB by pressing it onto the 2 clamping pins.
- 7 Connect the 2 connectors to the level sensor PCB.
- 8 Restart the machine; see the restart procedure in par. 9.4.

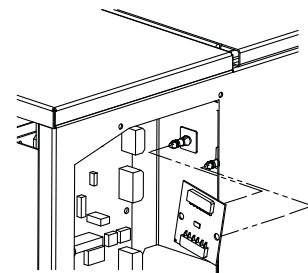


Figure 9-30



### 9.26 Replacing the power supply



Note : The printed circuit boards are ESD sensitive. Use ESD protection before working on these parts. Wear an ESD wristband and connect it to the machine frame.

- 1 Access the machine; see par. 9.2.1.
- 2 Remove the plating on the left side, see par. 9.2.2.
- 3 Disconnect the 2 connectors from the power supply.
- 4 Remove the 2 fixing screws.
- 5 Detach the power supply from the 2 clamping pins that attach it to the machine.
- 6 Replace the power supply.
- 7 Position the power supply by pressing it onto the 2 clamping pins.
- 8 Position the 2 fixing screws; fit the single wire using the screw at the top left.
- 9 Connect the 2 connectors to the power supply.
- 10 Restart the machine; see the restart procedure in par. 9.4.

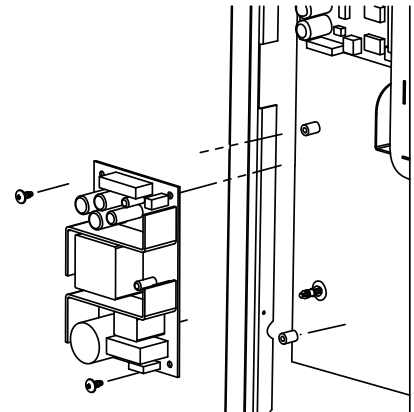


Figure 9-31