



# ● cafe

Barista PB

Sparepart book

Release: 31.07.2008

Automatically generated at 15.10.2008

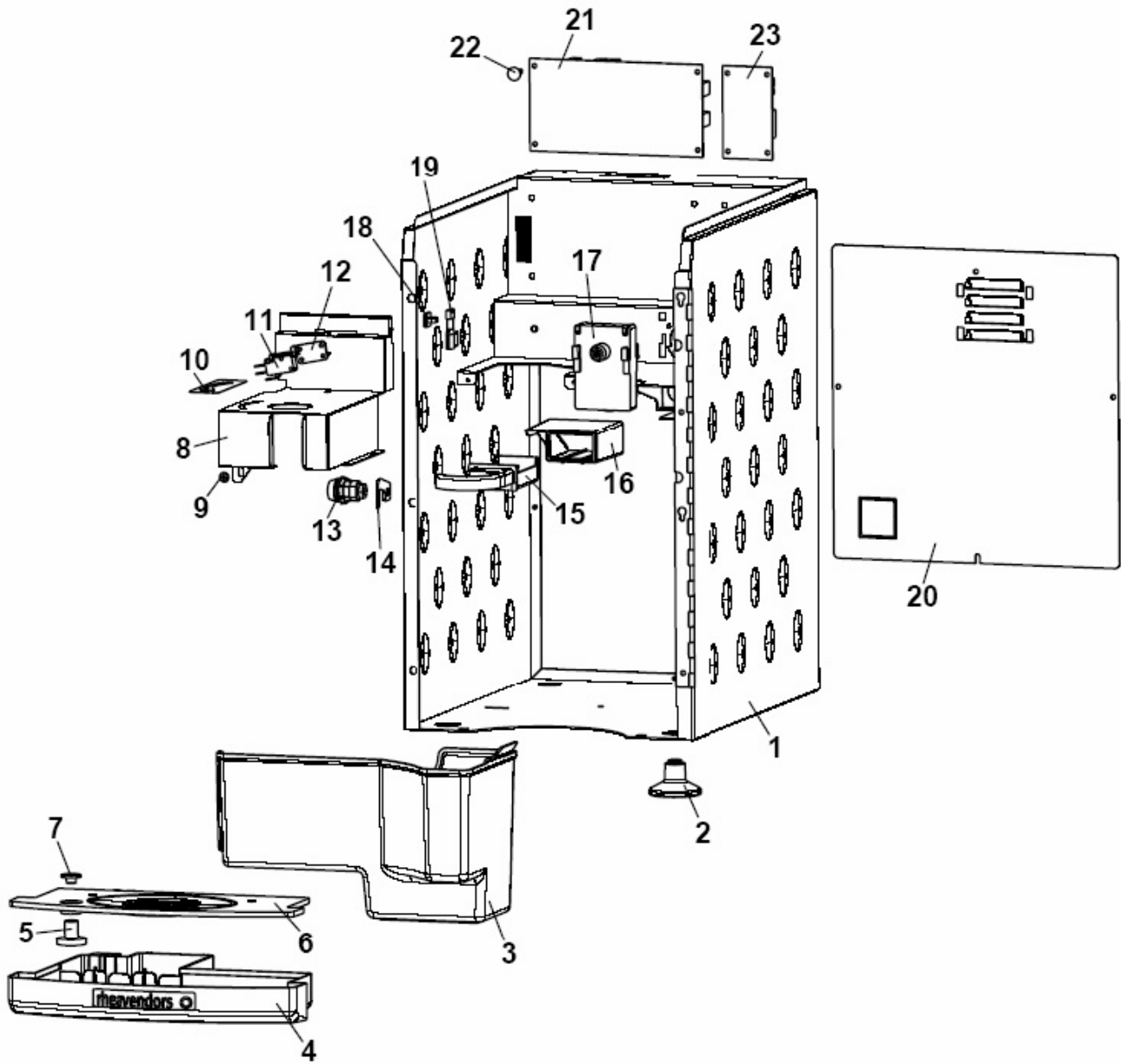




# Table of content

<b>1. Cabinet Front Inside View- exploded diagramm</b> .....	1
1. Cabinet Front Inside View- Article List .....	2
<b>2. Cabinet Rear View (Service Door)- exploded diagramm</b> .....	3
2. Cabinet Rear View (Service Door)- Article List .....	4
<b>3. Cabinet Cover- exploded diagramm</b> .....	5
3. Cabinet Cover- Article List .....	6
<b>4. Door- exploded diagramm</b> .....	7
4. Door- Article List .....	8
<b>5. Solubles Dispenser- exploded diagramm</b> .....	9
5. Solubles Dispenser- Article List .....	10
<b>6. Mixer Bowls- exploded diagramm</b> .....	11
6. Mixer Bowls- Article List.....	12
<b>7. Products Container- exploded diagramm</b> .....	13
7. Products Container- Article List .....	14
<b>8. Watertank- exploded diagramm</b> .....	15
8. Watertank- Article List.....	16
<b>9. Coffee Beans Container- exploded diagramm</b> .....	17
9. Coffee Beans Container- Article List.....	18
<b>10. Mill Group- exploded diagramm</b> .....	19
10. Mill Group- Article List.....	20
<b>11. Micro Brewer Motor Unit- exploded diagramm</b> .....	21
11. Micro Brewer Motor Unit- Article List .....	22
<b>12. Micro Brewer- exploded diagramm</b> .....	23
12. Micro Brewer- Article List .....	24
<b>13. Boiler Group E1- exploded diagramm</b> .....	27
13. Boiler Group E1- Article List.....	28
<b>14. Boiler Group E2- exploded diagramm</b> .....	29
14. Boiler Group E2- Article List.....	30
<b>15. Boiler Instant- exploded diagramm</b> .....	31
15. Boiler Instant- Article List .....	32
<b>16. Water Inlet Group E1- exploded diagramm</b> .....	33
16. Water Inlet Group E1- Article List .....	34
<b>17. Water Inlet Group E2- exploded diagramm</b> .....	35
17. Water Inlet Group E2- Article List .....	36
<b>18. Flash Heater- exploded diagramm</b> .....	37
18. Flash Heater- Article List.....	38
<b>19. CPU- exploded diagramm</b> .....	39
19. CPU- Article List.....	40
<b>Orderfax-Form</b> .....	41

# 1. Cabinet Front Inside View

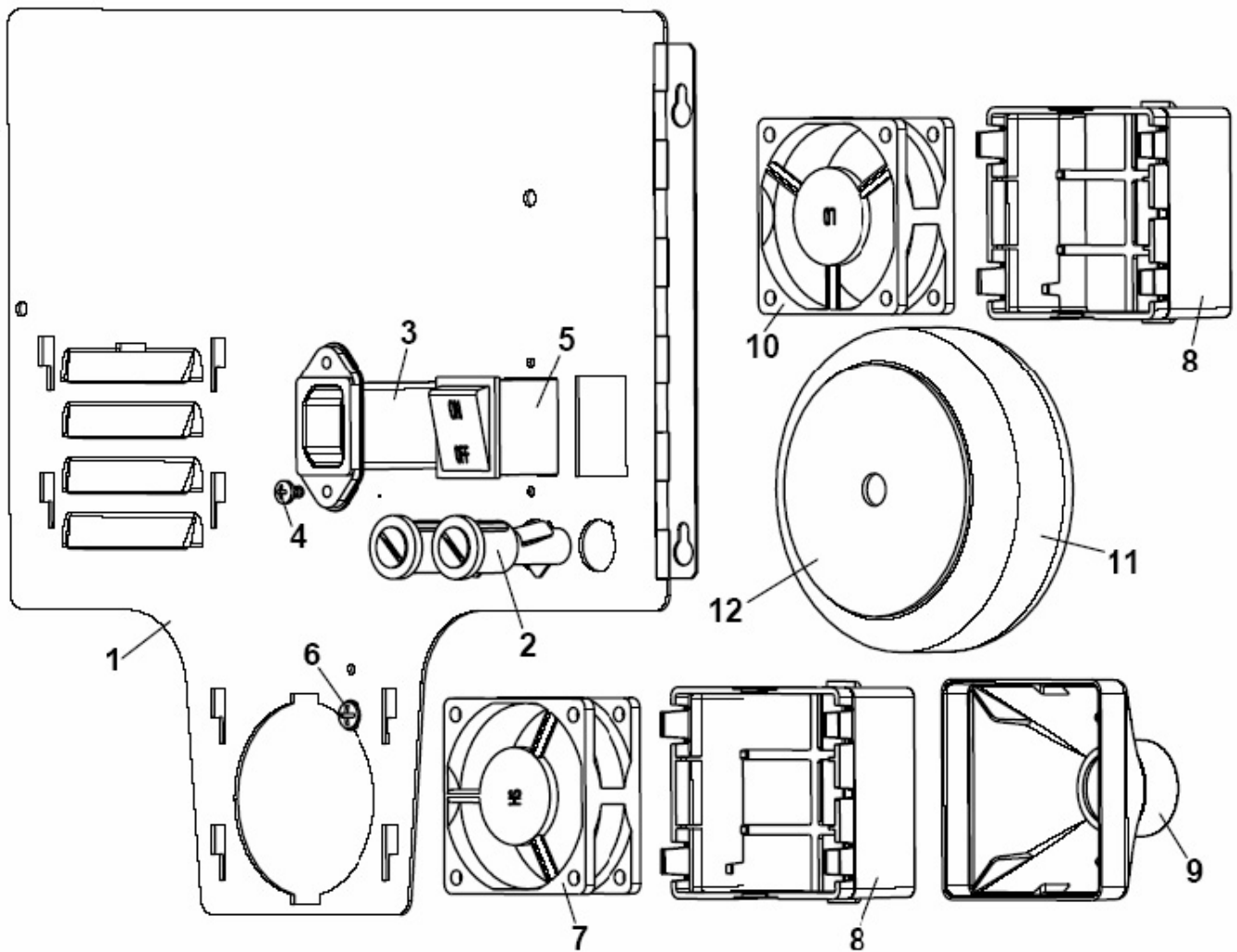


# 1. Cabinet Front Inside View

---

Pos.Nr.	Article description	Article Nr.
1	CABINET STRUCTURE E MERCEDES G	0010027605CM
2	FEET CHROMATE	0010027326
3	GROUND CONTAINER	0010027229
4	WATER TRAY EUROCOLOR BLACK 980	0020037116NC
5	Zoll RAL3020 XX	0020037046
6	WATER COLLECTION TRAY BARISTA	0020037117XC
7	Zoll RAL3020 XX	0020037045
8		0010027248
9	TAPPING SCREW TCB 3.5 x 9.5	VIT0002401
10		0010027249
11	1-WAY 16 A 250 V MICROSWITCH	ELE0001522
12	MICRO SPACER	4600010014
13	LOCK 154 BOX 5 DT mm 20 RAPID	SER0000024
14	LOCK BRACKET	0020035615
15	EXTERNAL EXHAUST DRAWER	0010027022
16		0010027214
17	MR NCJM2480-X 24VDC	0090002113
18	ADHESIVE CABLE STOP	ELE0062253
19	SERVICE KEY ASSEMBLY	0270011109CL
20	BACK COVER MERCEDES GREY RAL 9	0010027629CM
21	CPU POWER	SCH0006600
22	BOARD SUPPORT	ELE0062013
23	CPU EXPANSION ONLY FOR ESPRESS	SCH0006620

## 2. Cabinet Rear View (Service Door)

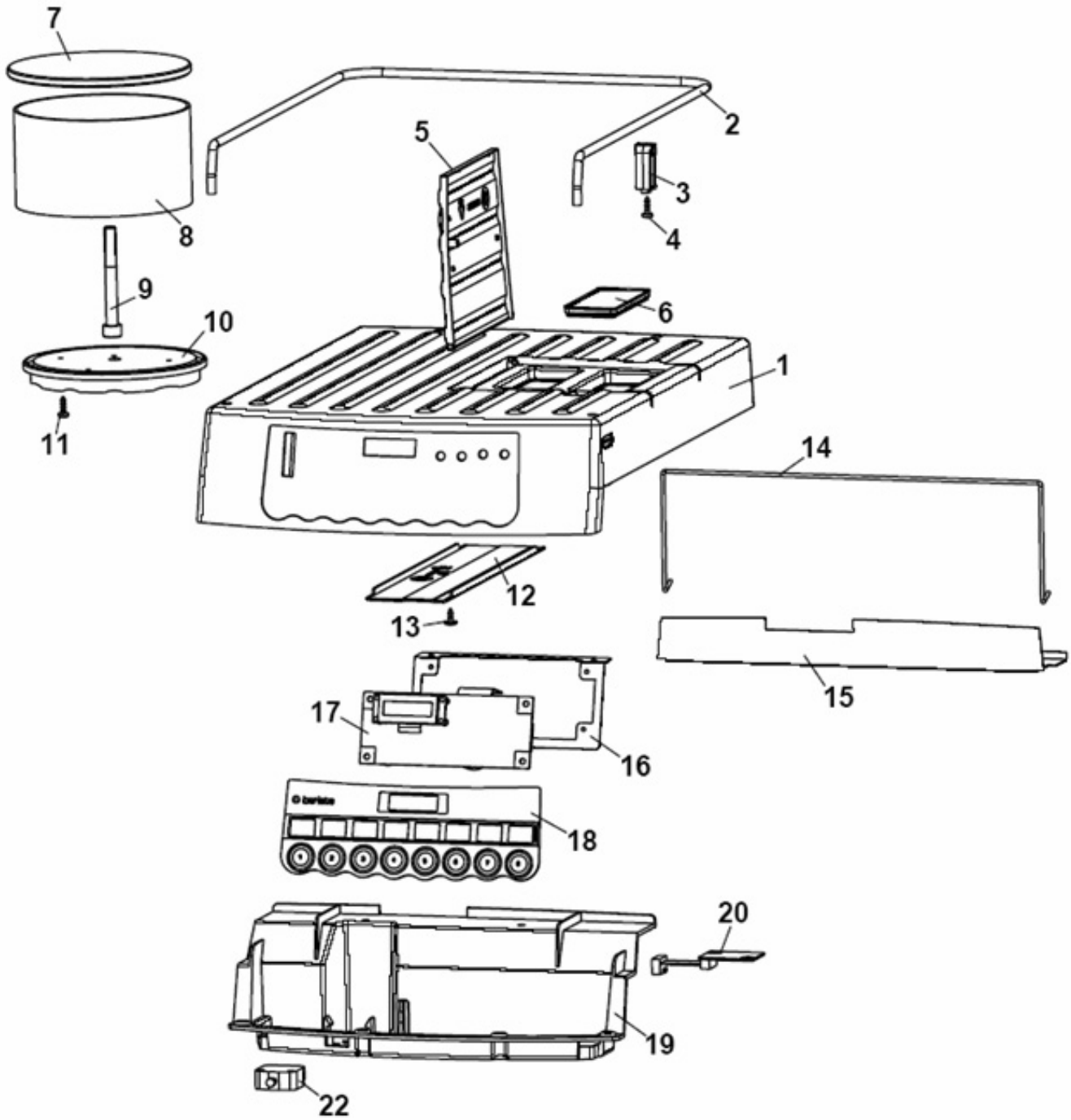


## 2. Cabinet Rear View (Service Door)

---

Pos.Nr.	Article description	Article Nr.
1	SERVICETÜRE SILBER BARISTA	0010027625CM
2	FUSES HOLDER FH-C0345+FUSE12A	ELE0003508CL
3	FILTER SOCKET 115/250V 10A	ELE0002315
4	TAPPING SCREW T.C.B. 3,5 x 6,5	VIT0002009
5	15A 250V ON/OFF UL/CSA BIPOLAR	ELE0002014
6	TAPPING SCREW TCB 3.5 x 9.5	VIT0002401
7	AXIAL FAN AD0624HS 24DC	ELE0000461
8	FAN TRAY	0010027064
9	CONNECTION CONDUIT	0010027065
10	AXIAL FAN FL0625LD 24DC	ELE0000462
11	150VA E.230V-U.26-8,6V TOROIDA	ELE0000565R
12	TRANSFORMER DISK	0010027319

### 3. Cabinet Cover



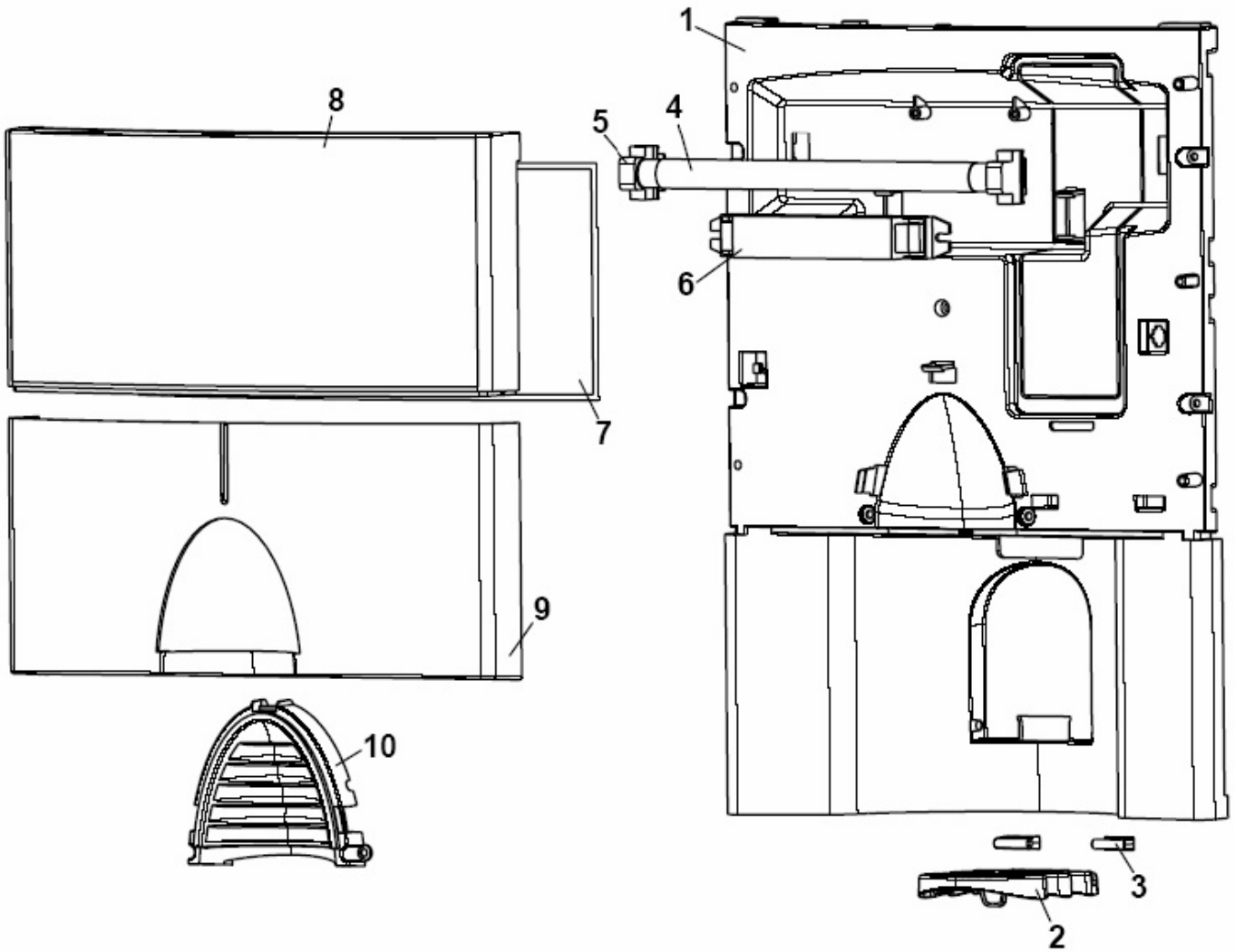


### 3. Cabinet Cover

---

Pos.Nr.	Article description	Article Nr.
*	COFFEE BEAN DUMMY FOR BARISTA	0010027265CL/1
1	UPPER COVER MERCEDES GREY RAL	0010027251CM
2	RING CUP	0010027271
3	RING SUPPORT TRASPARENT OPALIN	0010027272
4	SCREW TC 3.5 x 10 FOR PLASTIC	VIT0002469
5	H2O COVER MERCEDES GREY RAL 90	0010027252CM
6	H2O HOLE PLUG	0010027259
7	FRONT FLANGE TOP KP	0010020671
8	COFFEE BEAN DUMMY FOR BARISTA	0010027265CL/1
8	TRANSPARENT TUBE D. 125 H.69	0010020673
9		VIT0000244
10	FRONT FLANGE BOTTOM KP	0010020672
11	SCREW TC 3.5 x 10 FOR PLASTIC	VIT0002469
12	PLATE WIRING CLOSING	0010027049
13	TAPPING SCREW TCB 3.5 x 9.5	VIT0002401
14	UPPER COVER CONNECTION	0010027262
15	UPPER COVER HINGE	0010027045
16	DISPLAY BOARD SUPPORT	0010027268
17	DISPLAY BOARD	SCH0005840
18	BARISTA KEYBORD T8	0010027293
19	BLACK	0010027253NA
20	FLASH BOARD	SCH0005860
22	SWITCH 16A-250V UL	ELE0002019

# 4. Door

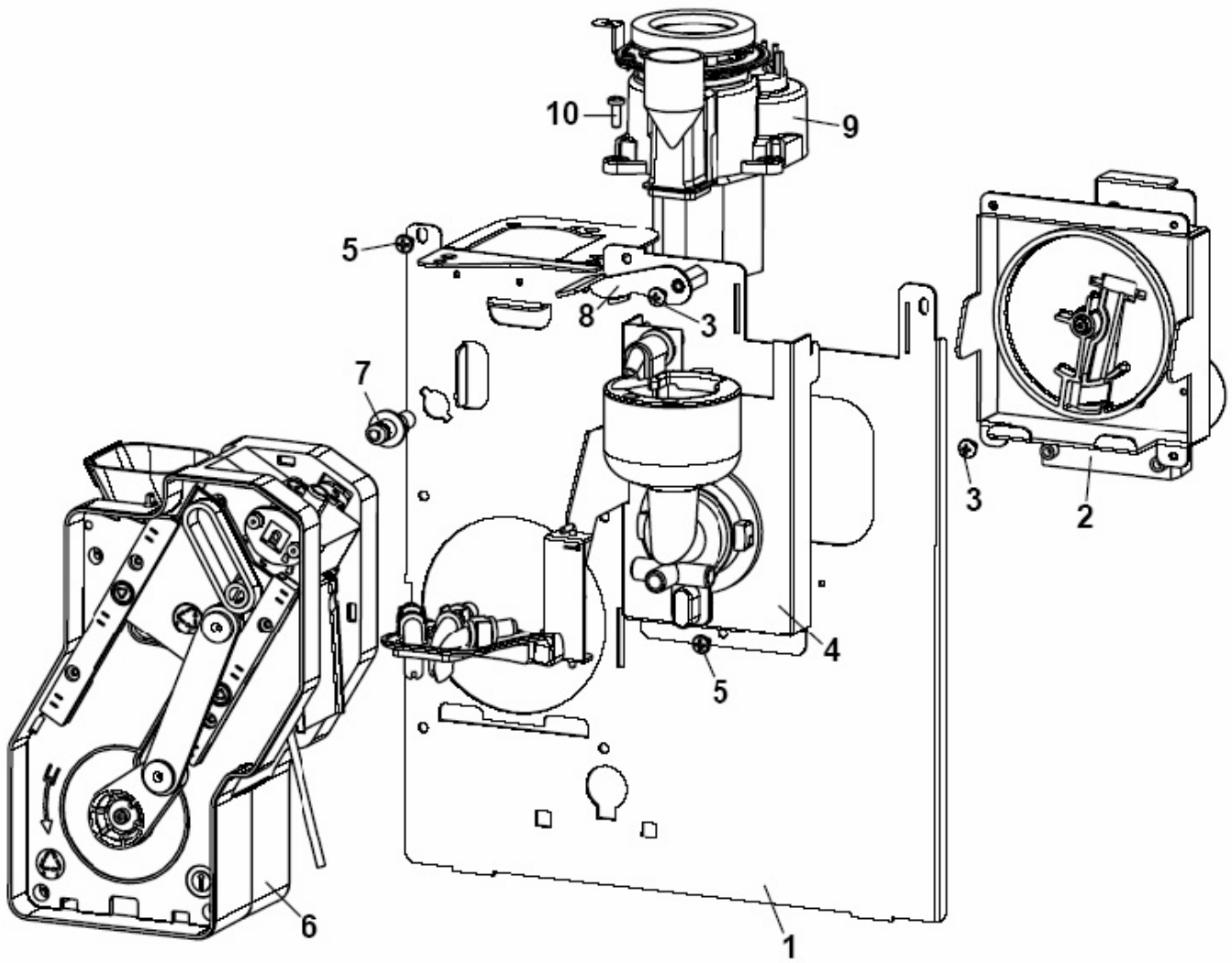


## 4. Door

---

<b>Pos.Nr.</b>	<b>Article description</b>	<b>Article Nr.</b>
1	DOOR STRUCTURE EUROCOLOR BLACK	0020037102NC
2	CUP SUPPORT TRAY TRASPARENT OP	0020037122
3	CUP SUPPORT PIN BLACK	0020037124
4	FLUORESCENT TUBE 6W 210mm	ELE0009029
5	lamp mounting	ELE0009121
6	BALLAST 220V 6-8W	ELE0009126
7	BARISTA ORANGE LABEL	0020037161
8	UPPER EXTERNAL DOOR TRANSPAREN	0020037106AG
9	BOTTOM EXTERNAL DOOR SILVER	0020037107CU
10	ORANGE SHINING SUPPLEMENT	0020037104CL1

# 5. Solubles Dispenser

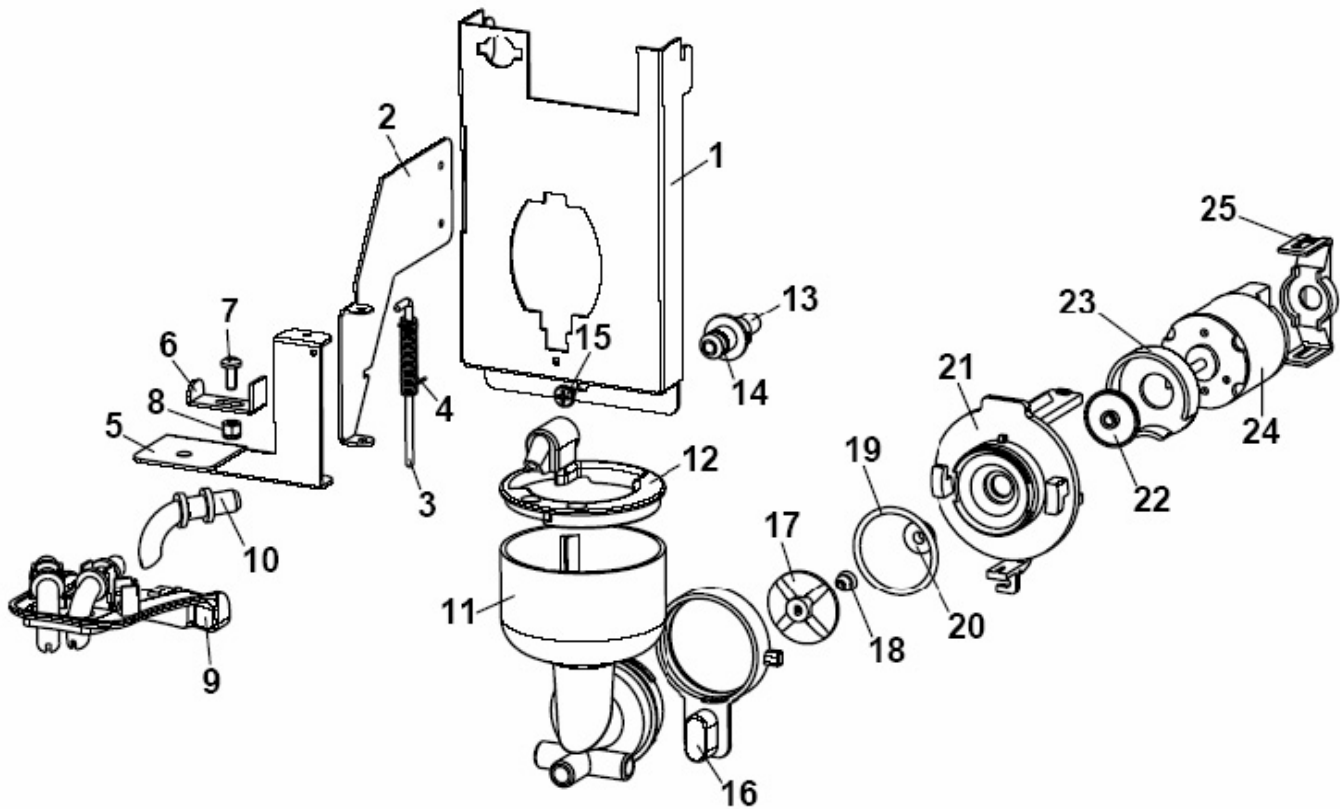


## 5. Solubles Dispenser

---

<b>Pos.Nr.</b>	<b>Article description</b>	<b>Article Nr.</b>
1	HALTEBLECH MIXERMOTOR XX	0010027215
2	MOTOR CRANK	0250008012
3	SCREW TCB M4 x 7	VIT0000030
4	MIXER BODY NO INLET OVERSEAS B	0080100041PL
5	TAPPING SCREW TCB 3.5 x 9.5	VIT0002401
6	MICRO COFFEE GROUP D.40	0250008201R
7	SHORT MIXER INSERT	0080100043
8	COFFEE BEANS GROUP FIXING LEVE	0010027226
9	GRINDER GROUP XL PB	0320004500CL
10	M 4x12 TCB SCREW	VIT0000013

## 6. Mixer Bowls

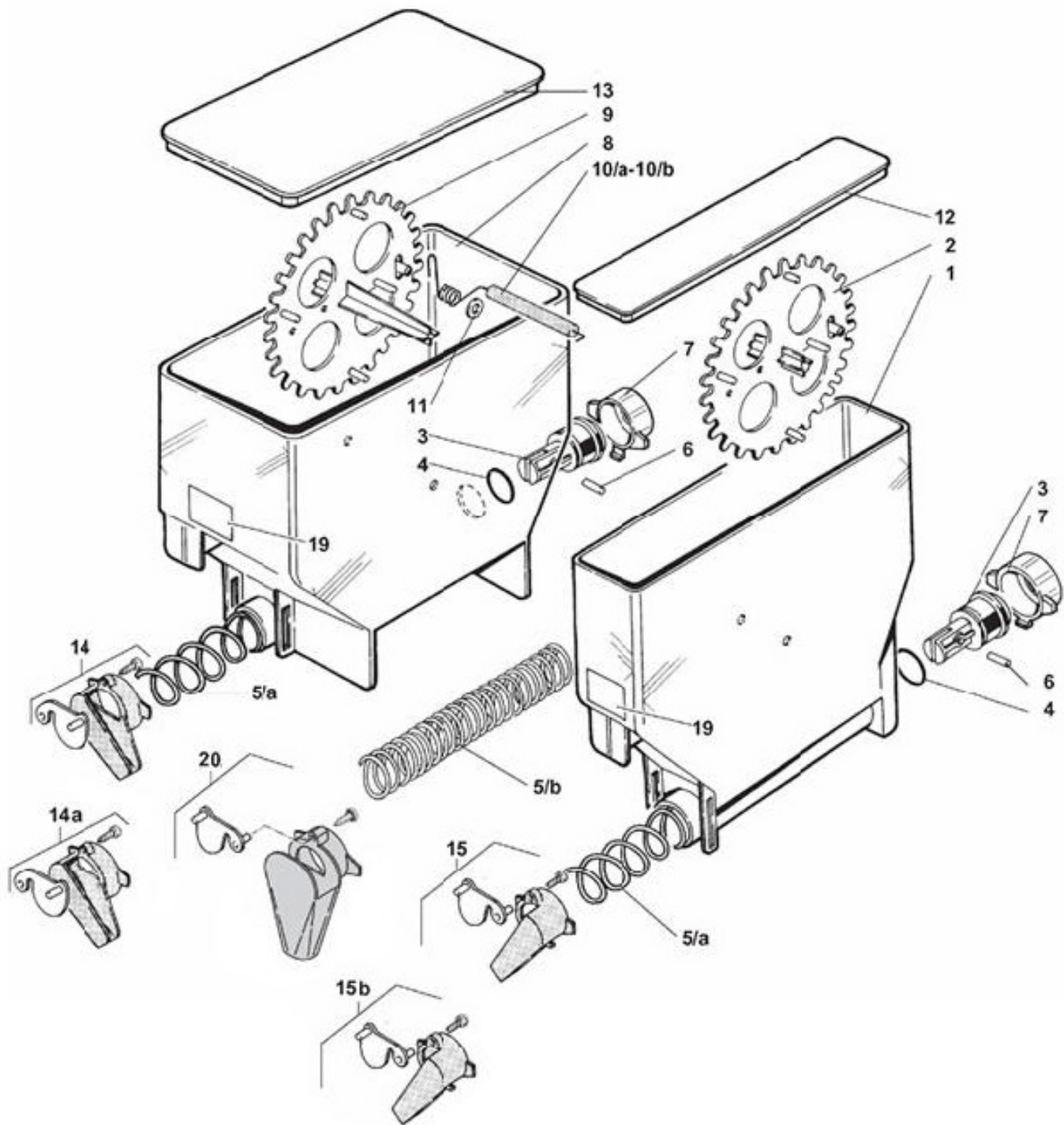


## 6. Mixer Bowls

---

Pos.Nr.	Article description	Article Nr.
*	MIXER BASE+MOTOR ASSEMBLY assi	0080100001R
1	HALTEBLECH MIXERMOTOR XX	0010027215
2	HALTEBLECH PRODUKTAUSL. XX PB	0010027246
3	JOIN PIN	0010020137
4	JOINT SPRING	0010020138
5	HALTEWINKEL PRODUKTAUSL. XX PB	0010027247
6	LEVER STOP JOIN	0010020737
7		VIT0000038
8	M 4 SELFLOCKING NUT	VIT0004810
9	PIPES SUPPORT BLACK	0020037123NA
10	INGREDIENT PIPE	0010020052
11	MIXER BODY NO INLET OVERSEAS B	0080100041PL
12	MIXER TRAP WITH INLET OVERSEAS	0080100042PL
13	SHORT MIXER INSERT	0080100043
14	SILICONE OR 106	GUA0000085
15	TAPPING SCREW TCB 3.5 x 9.5	VIT0002401
16	STOPPER RING ORANGE RAL 2011	0080100006
17	SMALL FAN MIXER SHAFT D.4 OVER	0080100011PL
18	MIXER SHAFT GASKET (V-RING)	0080100014
19	OR 3131	GUA0000084
20	MIXER BASE BUSH	0080100015
21	MIXER BASE	0080100005
22	DRIP TRAP FAN	0080100024
23	MIXER COVER ORANGE RAL 2011	0080100023
24	24 V DC MIXER MOTOR SHAFT D.4	0090003023
25	MOTOR HOUSING CONNECTION ORANG	0080100009

# 7. Products Container



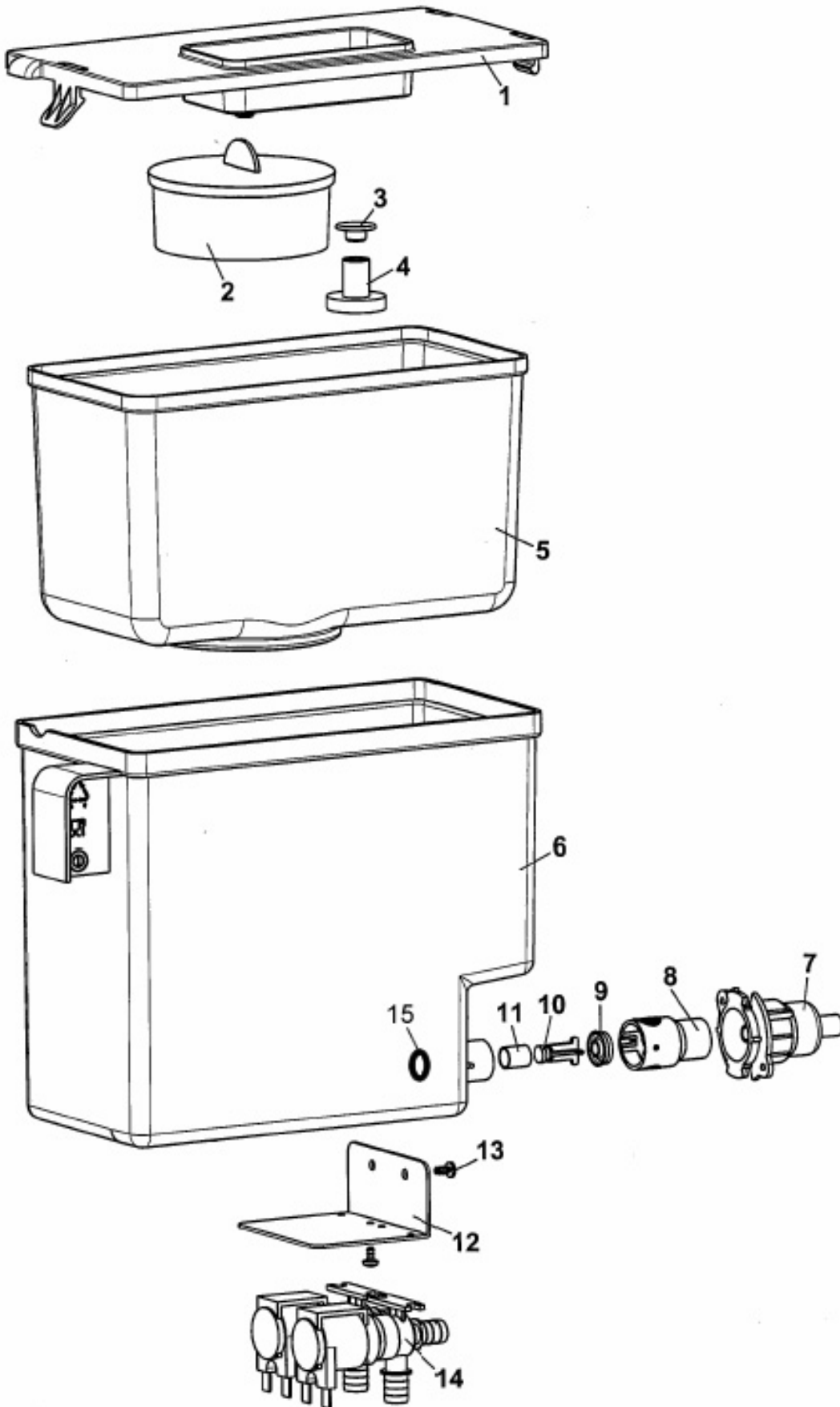


## 7. Products Container

---

Pos.Nr.	Article description	Article Nr.
*	INGREDIENT CONTAINER 54 mm WOR	0230030005R
*	PRODUCT CONTAINER 54 mm WORM S	0230030006R
*	PROD. CONT. 110 mm WORM SCREW	0230030007R
*	PROD. CONT. 110 mm WORM SCREW	0230030009R
1	PLASTIC INGREDIENT CONTAINER 5	0230030005
2	MIXER GEAR ORANGE RAL 2011	0230030016
3	WORM SCREW PIN	0230030012
4	OR 123	GUA0000083
5a	WORM SCREW P.18	0230030014
5b	WORM SCREW P. 9	0230030013
6	ELASTIC PIN D.2 x 14	VIT0005301
7	REAR BUSH	0230030011
8	PLASTIC INGREDIENT CONTAINER 1	0230030008
9	MIXER GEAR mm.110 ORANGE RAL 2	0230030015
10	INGREDIENT MIXER 112 mm. R.H.	0230030041
10	INGREDIENT MIXER 112 mm. L.H.	0230030042
11	STAINLESS STEEL FLAT WASHER D.	VIT0003210
12	CONTAINER COVER 54 mm. From se	0230030156
13	CONTAINER COVER 110 mm. From s	0230030158
14	RIGHT CONVEYOR INGREDIENT	0230030017R
14a	RIGHT CONVEYOR INGREDIENT	0230030044R
15	LEFT CONVEYOR INGREDIENT	0230030018R
15a	LEFT CONVEYOR INGREDIENT	0230030043R
19	SUGAR I-F-D- LABEL	1010150001
19	SHOKO I-F-D- LABEL	1010150006
19	SOUP I-F-D- LABEL	1010150005
19	TEA I-F-D- LABEL	1010150004
19	MILK I-F-D- LABEL	1010150003
19	COFFEE I-F-D- LABEL	1010150002
20	CONVEYOR INGREDIENT	0230030019R

# 8. Watertank

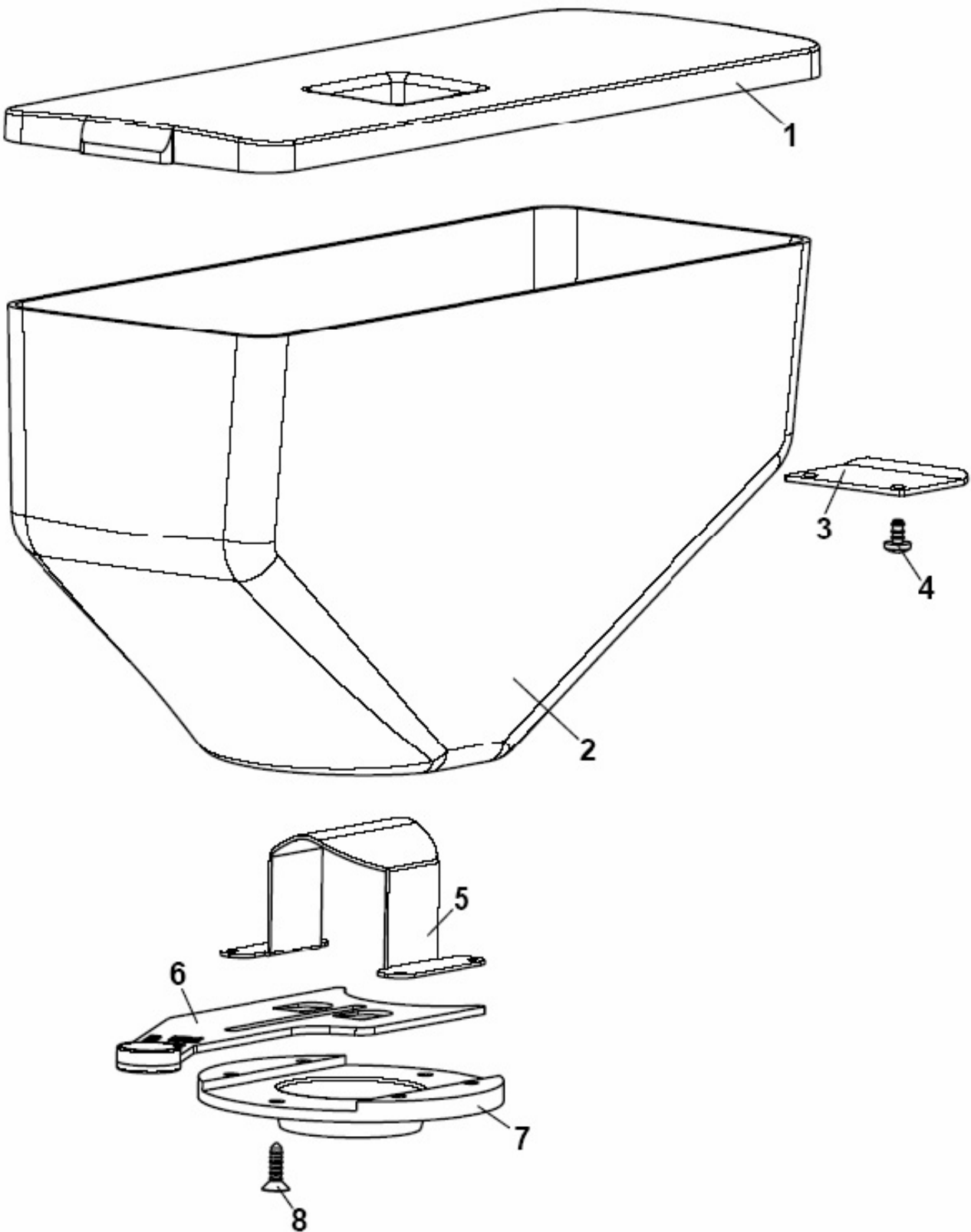


## 8. Watertank

---

<b>Pos.Nr.</b>	<b>Article description</b>	<b>Article Nr.</b>
1	COVER WATER TANK DUST GREY RAL	0800012025
2	Cino XS Filter cartridge (Tank in Tank)	799038
3	Zoll RAL3020 XX	0020037045
4	Zoll RAL3020 XX	0020037046
5	BRITA FILTER SUPPORT	0800012018
6	WATER TANK	0800012005PF
7	FIXED TANK CONNECTION	0800012015
8	TANK CLOSING GASKET SUPPORT	0800012008
9	SILICONE GASKET DE 062	GUA0002008
10	WATER TANK CLOSING PIN	0800012009
11	CLOSING PIN SPRING	0800012012
12	2EV SUPPORT RPE	0010027631
13	TAPPING SCREW T.C.B. 3,5 x 6,5	VIT0002009
14	EV NC.2VIE S/R 24DC D.7	0110001103
15	SILICONE GASKET D.6 CORD 3	GUA0000082

# 9. Coffee Beans Container

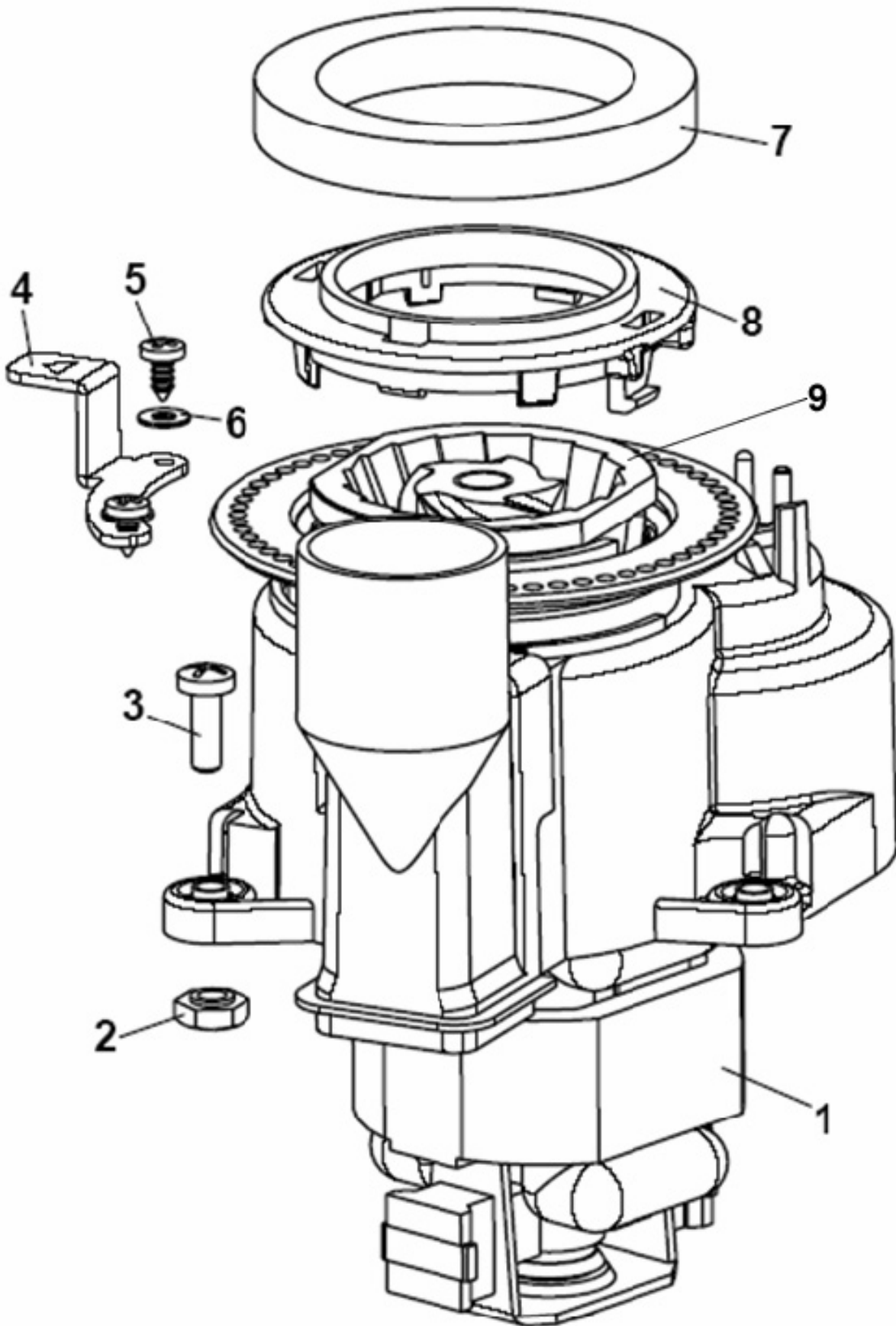


## 9. Coffee Beans Container

---

<b>Pos.Nr.</b>	<b>Article description</b>	<b>Article Nr.</b>
*	ASSEMBLED COFFEE CONTAINER	0230015210CL
1	COFFEE CONTAINER COVER	0230015217
2	COFFEE CONTAINER	0230015213
3		0230015212
4	TAPPING SCREW T.C.B. 3,5 x 6,5	VIT0002009
5		0230015218
6		0230015207
7		0230015215
8	3.9x 13 TAPPING TCB SCREW	VIT0002101

# 10. Mill Group

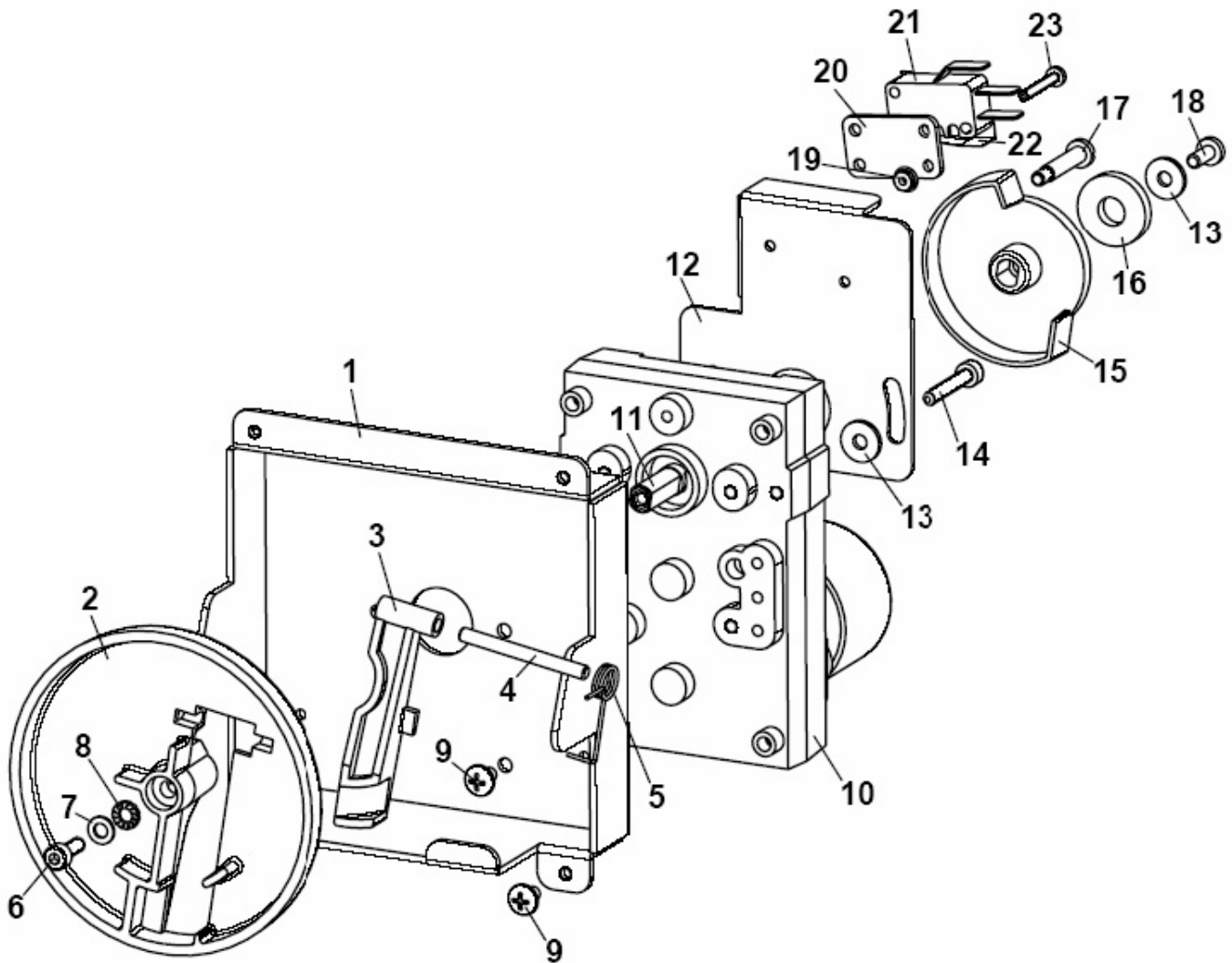


## 10. Mill Group

---

<b>Pos.Nr.</b>	<b>Article description</b>	<b>Article Nr.</b>
*	GRINDER GROUP XL PB	0320004500CL
1		0320004500
2		VIT0004806
3	M 4x12 TCB SCREW	VIT0000013
4	E MILL REGULATION LEVER	0010027202
5	2.9x 6.5 TAPPING TCB SCREW	VIT0002001
6	D.3.2x7x0.5 WASHER	VIT0003002
7	E-MILL GASKET	0230015219
8	GRINDER DIAL XX	0320004503
9	GRINDER COUPLE XXPB	0320004506

# 11. Micro Brewer Motor Unit



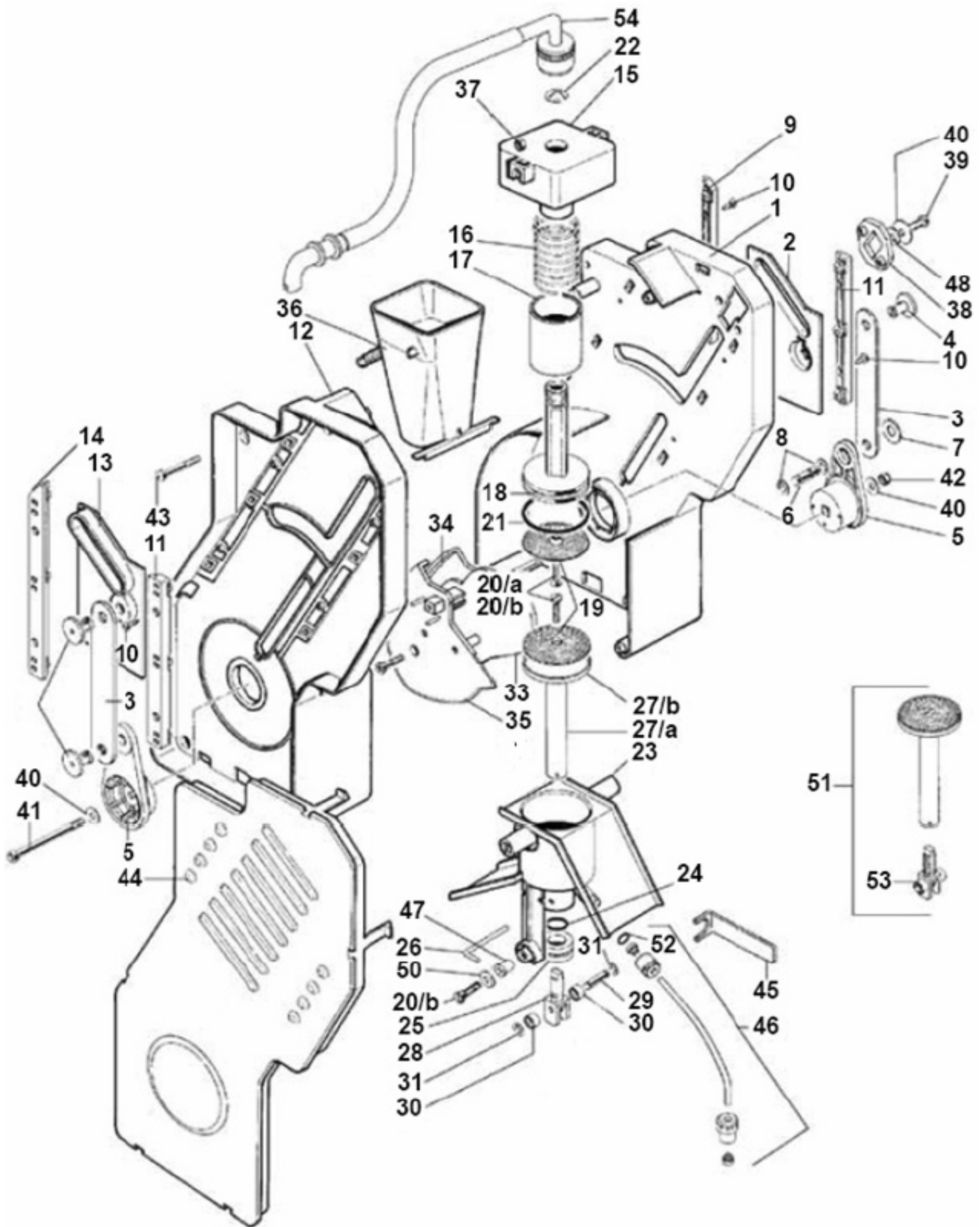


## 11. Micro Brewer Motor Unit

---

Pos.Nr.	Article description	Article Nr.
1		0260010128
2	MOTOR CRANK	0250008012
3	HOOKING LEVER	0250008034
4	4 x 40 CYLINDRICAL PIN	VIT0005205
5	SPRING FOR HOOKING LEVER	0250008059
6	4x12 TCEI SCREW	VIT0005508
7	WASHER D.8 x 4.3 x 0.8	VIT0003003
8	WASHER tab D. 4.3	VIT0003103
9	SCREW TCB M4 x 7	VIT0000030
10	11 RPM 24V DC MOTOR	0090002191
11	WELLE BRÜHERANTRIEB XX/BAR.	0090002181
12	MICRO PLATE	0250008093
13	WASHER D.12 x 4.3 x 1.5	VIT0003301
14	4x25 TCEI SCREW	VIT0005521
15	GROUP READER DISK	0250008043
16	MICRO SPACER	0250008091
17		0250008126
18	SCREW T.C.B. M 4 x 10	VIT0000012
19	M3 FR NUT	VIT0004701
20	MICRO SPACER	4600010014
21	MICRO 83.161.832	ELE0001528
22	MICRO LEVER	ELE0001904
23	M 3x20 TCB SCREW	VIT0000007

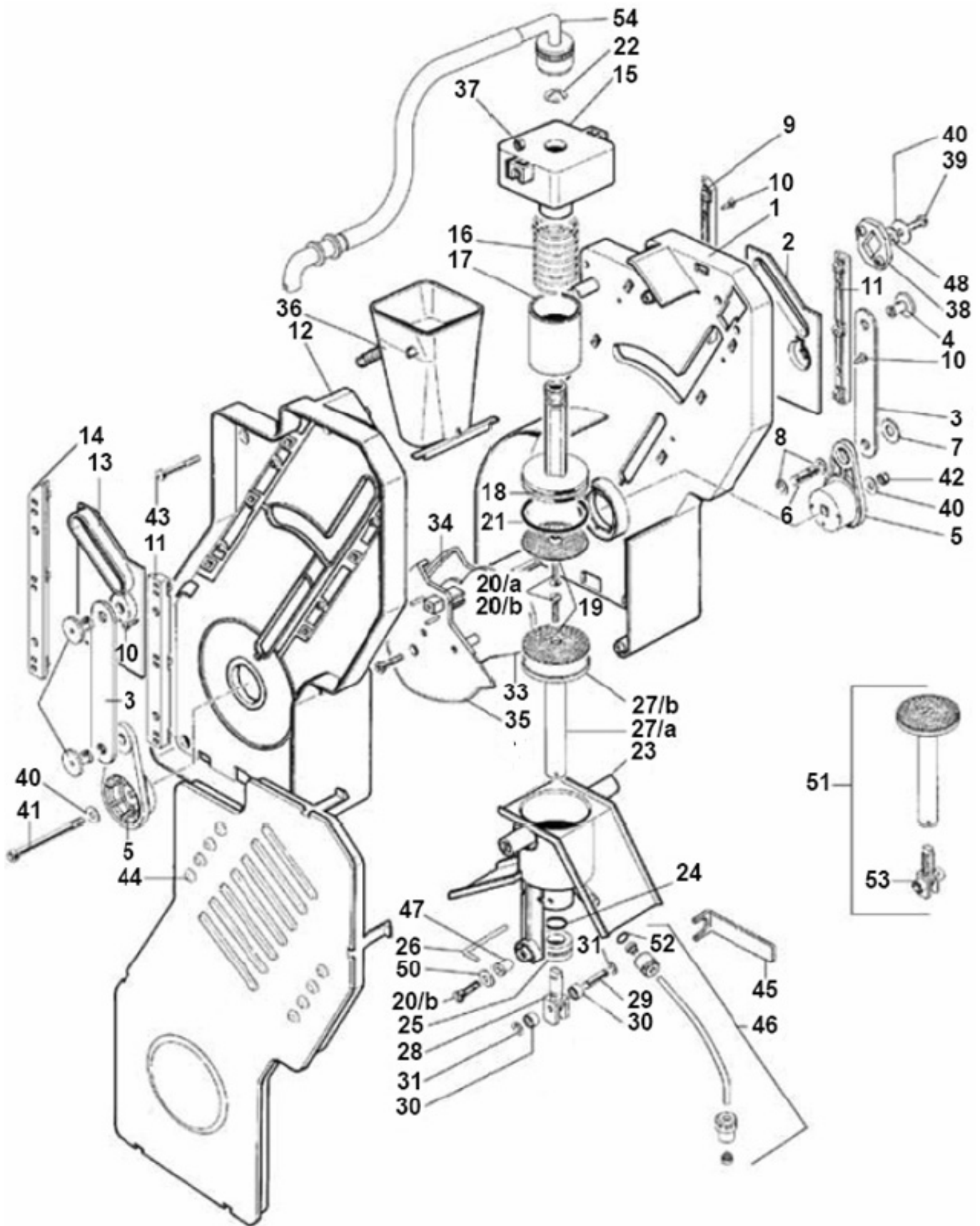
# 12. Micro Brewer



## 12. Micro Brewer

Pos.Nr.	Article description	Article Nr.
*	BREWER FILTER SUPPORT SHFT	0250008209R
*	D.40 UPPER FILTER ASSEMBLY 9gr	0250008208R
*	MICRO COFFEE GROUP D.40	0250008201R
1	BREWER HOUSING PB cplt.	0250008005r
2	NOCKE BRÜHKAMMER RECHTS	0250008084
3	CONNECTING ROD	0250008009
4	PIN FOR CONNECTING ROD	0250008028
5	R.H. CRANK	0250008011
6	MOTOR CRANK PIN	0250008014
7	ANTIVIBRATION WASHER	0250008042
8	D.5 RADIAL STOP RING	VIT0006515
9	R.H. REAR GUIDE	0250008031
10	TAPPING SCREW T.C.B. 3,5 x 6,5	VIT0002009
11	FRONT GUIDE	0250008033
12	BREWER HOUSING PB cplt.	0250008005r
13	L.H. INFUSION CHAMBER CAM	0250008085
14	L.H. REAR GUIDE	0250008032
15	UPPER FILTER SUPPORT	0250008086
16	UPPER FILTER SPRING	0250008024
17	SPRING COVER PIPE	0250008087
18	D.40 UPPER FILTER ASSEMBLY 9gr	0250008208R
19	FILTER D.40	0250008211
20a	M 3x14 TSP SCREW	VIT0001202
20b	M 3x8 TSP SCREW	VIT0000121
21	SILICONE 4131 OR	GUA0000097
22	D.8 STAINLESS STEEL INSIDE SEE	VIT0006513
23	INFUSION CHAMBER 9 gramm	0250008206R
24	SILICONE OR 112	GUA0000065
25	LOWER INLET CUP BUSH	0250008053
26	GLASS BUSH PIN	0250008029
27a		0250008108
27b	BREWER FILTER SUPPORT SHFT	0250008209R
28	LOWER FILTER ROLL SUPPORT	0250008106
29	ROLL SHAFT	0250008021
30	ROLL SHAFT	0250008022
31	D.3.2 RADIAL STOP RING	VIT0006516
33	FILTER EJECTION CAM	0250008083
34	R.H. FILTER RECOVERY CAM	0250008016
35	L.H. FILTER RECOVERY CAM	0250008017
36	COFFEE CONE	0250008036
37	STAINLESS STEEL NUT M4	VIT0004803
38	SETTING PLATE	0250008035
39	M 4x8 INOX TCB SCREW	VIT0000032
40	4.3x16x1.5 STAINLESS STEEL FLA	VIT0003309
41	4x60 STAINLESS STEEL TCEI SCRE	VIT0005523
42	M 4 SELFLOCKING NUT	VIT0004810
43	SCREW TCCCRT 4,2 x 26	VIT0002461
44	L.H. FRAME COVER FOR COFFEE BE	0250008039CM

# 12. Micro Brewer

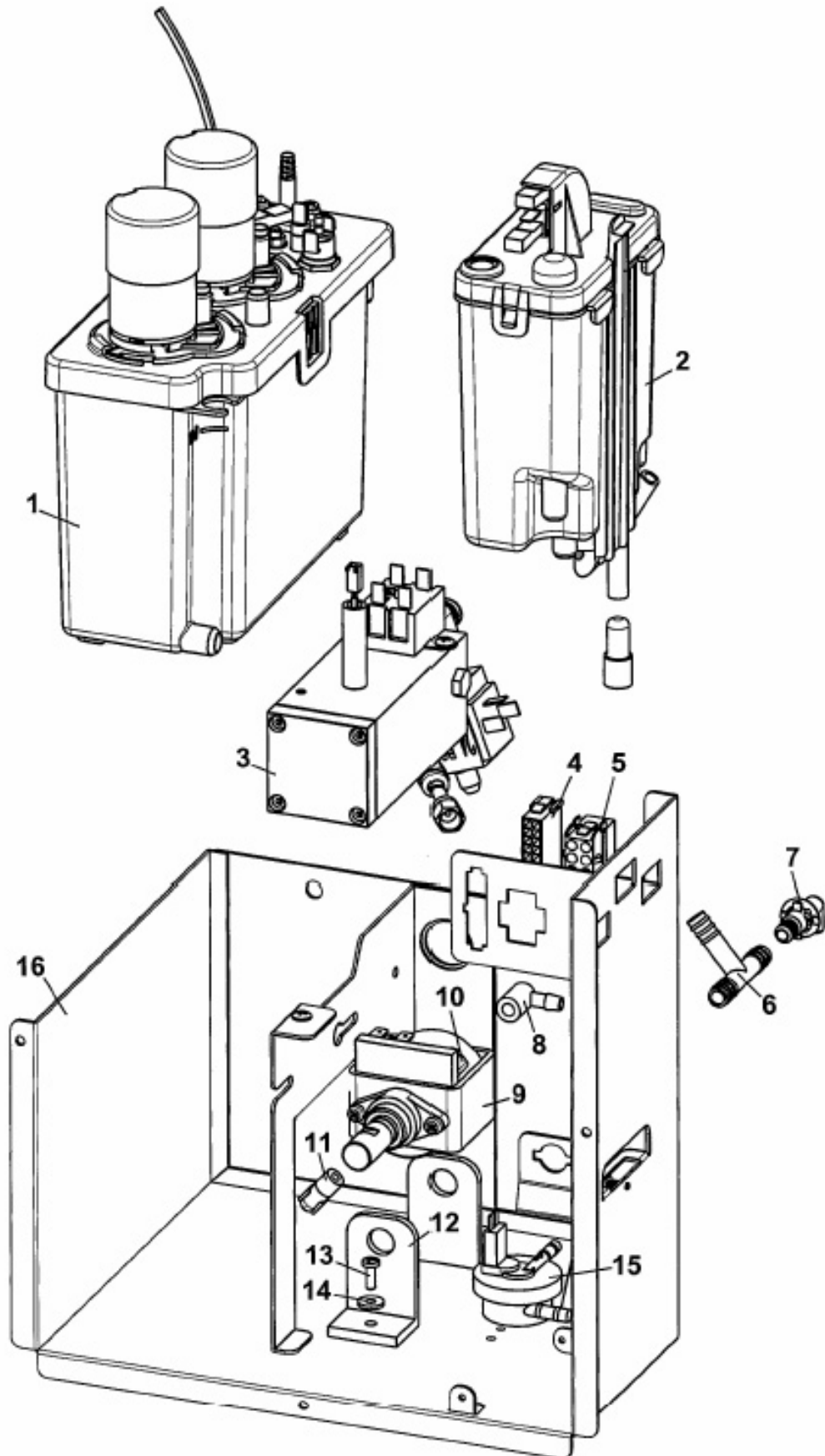


## 12. Micro Brewer

---

<b>Pos.Nr.</b>	<b>Article description</b>	<b>Article Nr.</b>
45	KEY FOR NUT	0250008048
46	WATER INLET PIPER ASSEMBLY	0250008110CL
47	M 3 CONNECTION FOR THERMOPLAST	VIT0009203
48	GROWER SPRING WASHER	VIT0003451
50	WASHER FOR CHAMBER CAM	0250008088
51		0250008210R
52	2010 VITON OR	GUA0000061
53	LOWER FILTER ROLL SUPPORT	0250008107R
54	COFFEE OUTLET PIPE ASSEMBLY	0250008076CL

# 13. Boiler Group E1

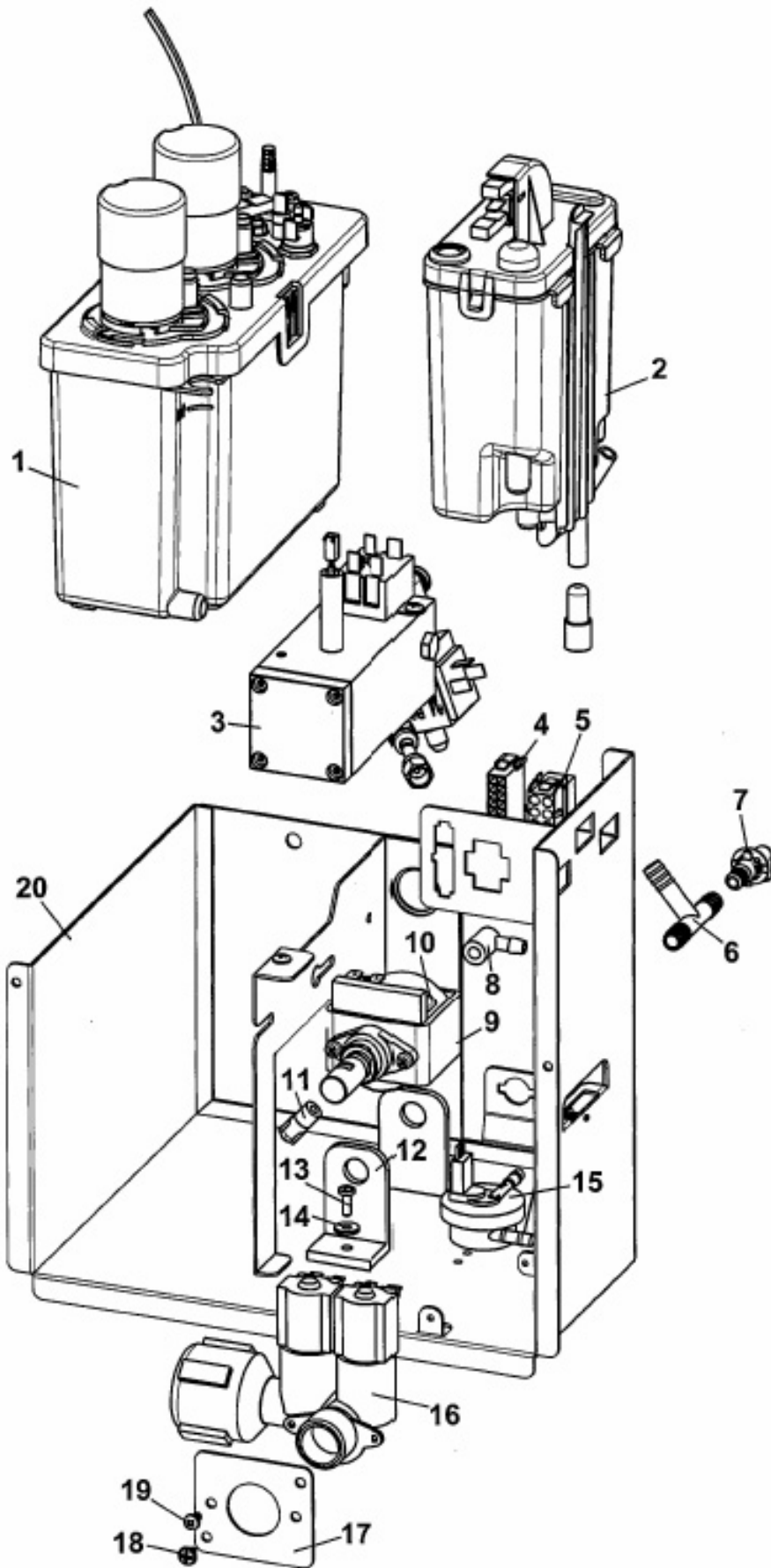


## 13. Boiler Group E1

---

<b>Pos.Nr.</b>	<b>Article description</b>	<b>Article Nr.</b>
*	ASSMEBLED BIGGER COFFEE BEANS	0010027616CL
1	2 PUMP BOILER ASSEMBLY 230V	0600016450R
2	TANK	0800013041
3	Flashheater cplt.	0600019160CL
4		CBLXX00044
5		CBLXX00045
6	TEE UNION	0100003003
7	90° CONNECTION	0080100084
8	PIPETTE	0110004023
9	EX5 230V 50 HZ PUMP	0110004041
10	THERMIC PROTECTION	ELE0000915
11	L FITTING D.6-1/8M CON.	0100001019
12	BRACKET SUPPORT	0110004022
13	M 4x12 TCB SCREW	VIT0000013
14	WASHER D.12 x 4.3 x 1.5	VIT0003301
15	VOLUME COUNTER W/RUBBERHOLDER	0110007003
16		0010027617CM

# 14. Boiler Group E2



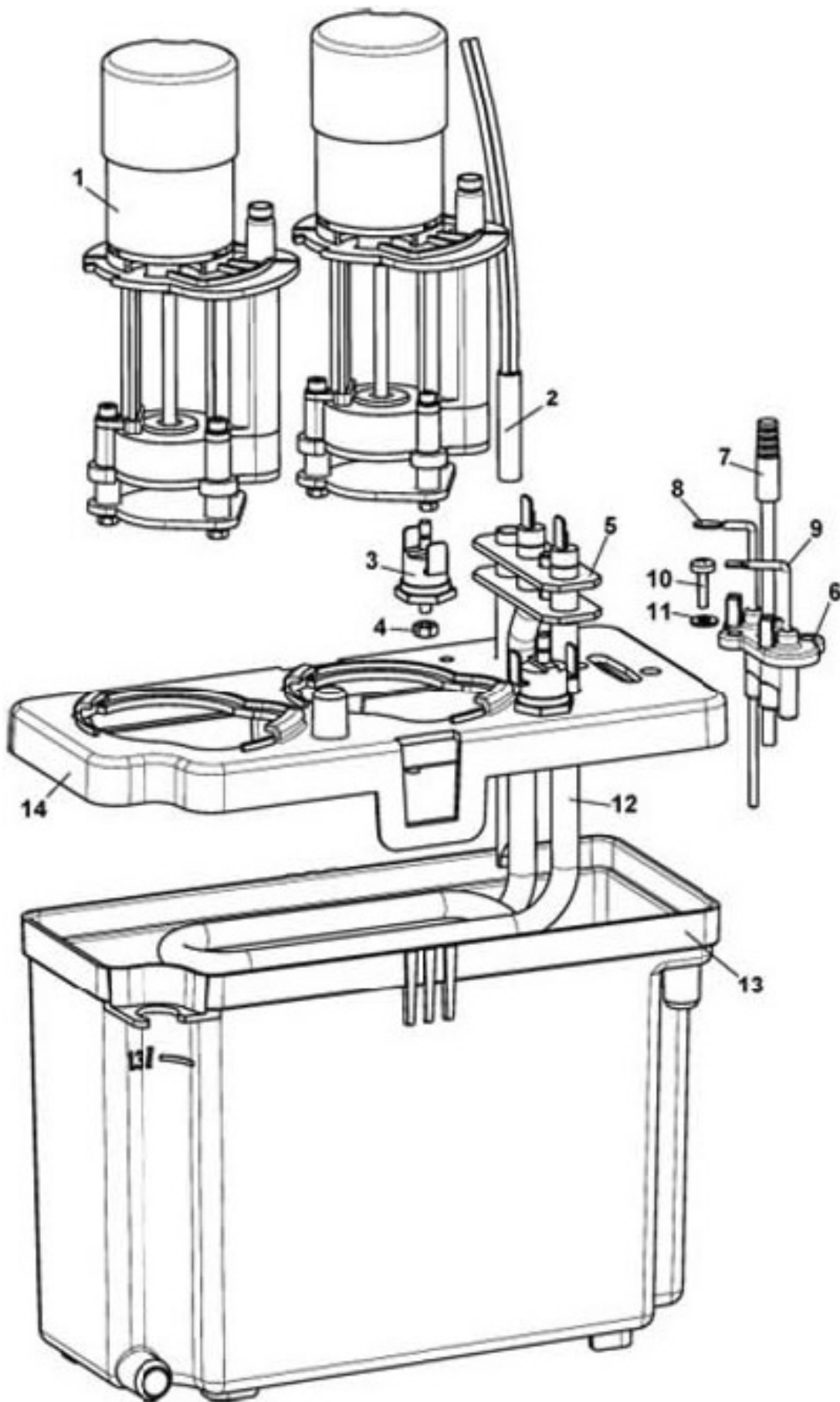


## 14. Boiler Group E2

---

Pos.Nr.	Article description	Article Nr.
*	ASSMEBLED BIGGER COFFEE BEANS	0010027615CL
1	2 PUMP BOILER ASSEMBLY 230V	0600016450R
2	TANK	0800013041
3	Flashheater cplt.	0600019160CL
4		CBLXX00044
5		CBLXX00045
6	TEE UNION	0100003003
7	90° CONNECTION	0080100084
8	PIPETTE	0110004023
9	EX5 230V 50 HZ PUMP	0110004041
10	THERMIC PROTECTION	ELE0000915
11	L FITTING D.6-1/8M CON.	0100001019
12	BRACKET SUPPORT	0110004022
13	M 4x12 TCB SCREW	VIT0000013
14	WASHER D.12 x 4.3 x 1.5	VIT0003301
15	VOLUME COUNTER W/RUBBERHOLDER	0110007003
16	EV.DIS.SICUR.2VIE MOD.24VDC	0110001109
17	WATER INLET VALVE SUPPORT	0010027620
18	TAPPING SCREW TCB 3.5 x 9.5	VIT0002401
19	3.9x 9.5 TAPPING TCB SCREW	VIT0002005
20		0010027617CM

# 15. Boiler Instant

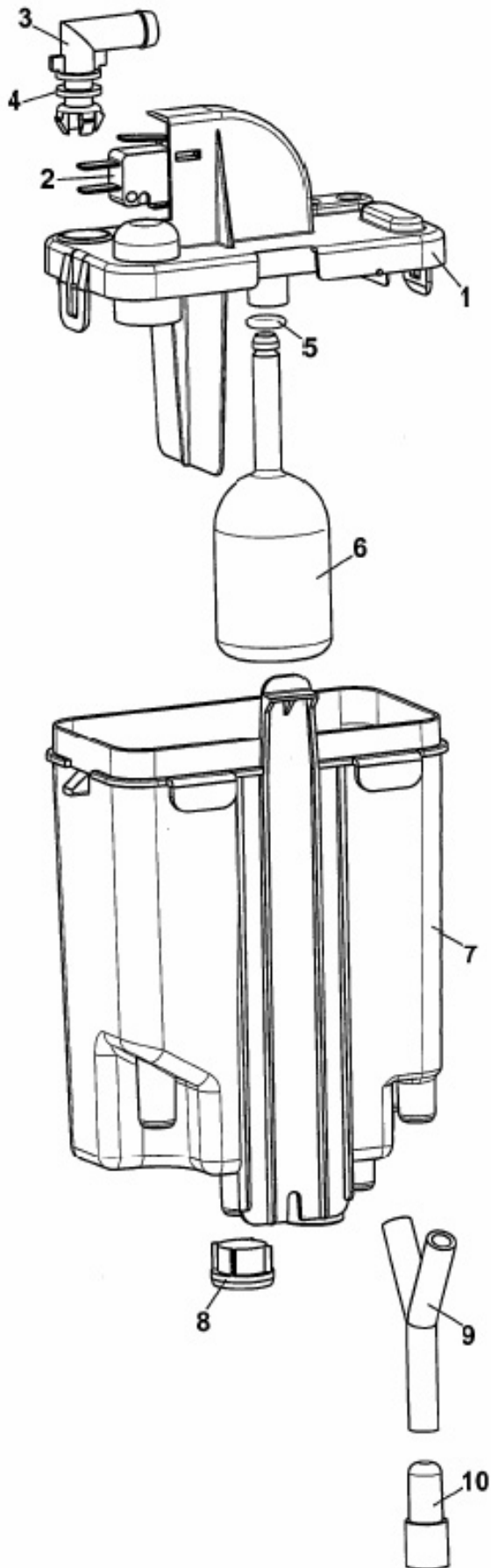


## 15. Boiler Instant

---

<b>Pos.Nr.</b>	<b>Article description</b>	<b>Article Nr.</b>
*	2 PUMP BOILER ASSEMBLY 230V	0600016450R
1	BOILER PUMP	0600016405R
2	121° FUSE ASSEMBLED	ELE0003026CL
3	MANUAL RESET THERMOSTAT 88°C	ELE0000962
4	STAINLESS STEEL NUT M4	VIT0004816
5	HEATING ELEMENT GASKET	0600016468
6	PROBE SUPPORT	0600016059
7	PRIMA SOLUBLE PROBE	ELE0000963R
8		0600016423
9		0600016424
10	SCREW T.C.B. M 4 x 12	VIT0001005
11	STAINLESS STEEL FLAT WASHER D.	VIT0003211
12	1300 W 230 V HEATING ELEMENT	0600016469
13	2 PUMPS BOILER TANK	0600016451
14	2 PUMPS BOILER COVER	0600016452

# 16. Water Inlet Group E1

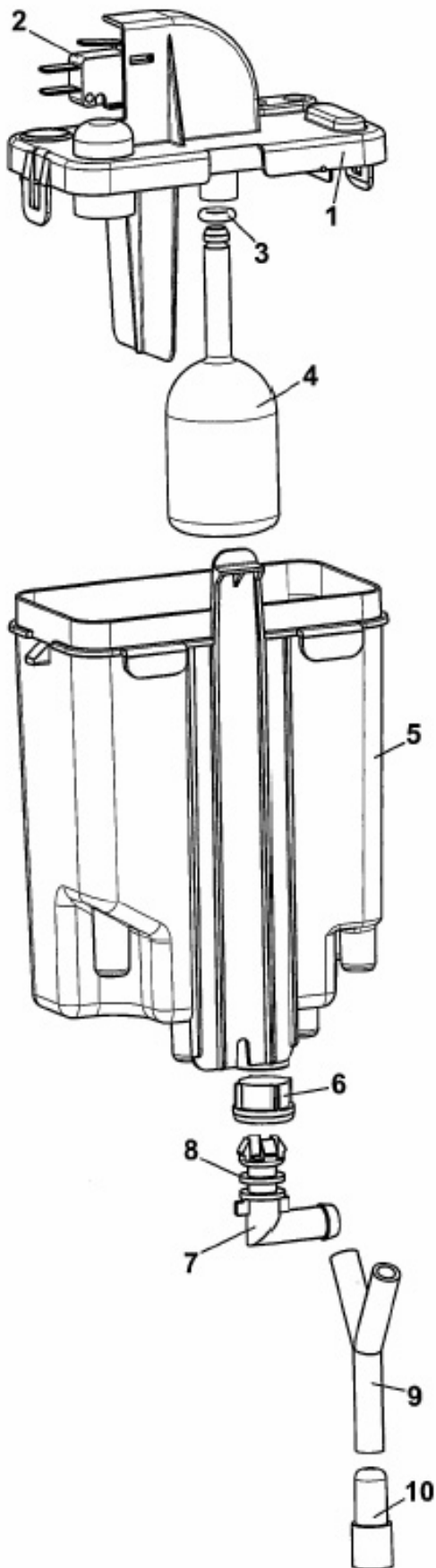


## 16. Water Inlet Group E1

---

<b>Pos.Nr.</b>	<b>Article description</b>	<b>Article Nr.</b>
*	TANK A.A. Barista E1	0800013040CL
1	TANK COVER	0800013043
2	3 A 250 V MICROSWITCH	ELE0001514
3	ELBOW WITH RAPID CONNECTION	0800009211
4	OR 109	GUA0000043
5	SILICONE GASKET D.6 CORD 3	GUA0000082
6	FLOATER TANK	0800013046
7	TANK	0800013041
8	D.20 PLASTIC FILTER	0110020007
9	Y FITTING	0100001065
10	BOILER DISCHARGE PLUG	650001057

# 17. Water Inlet Group E2

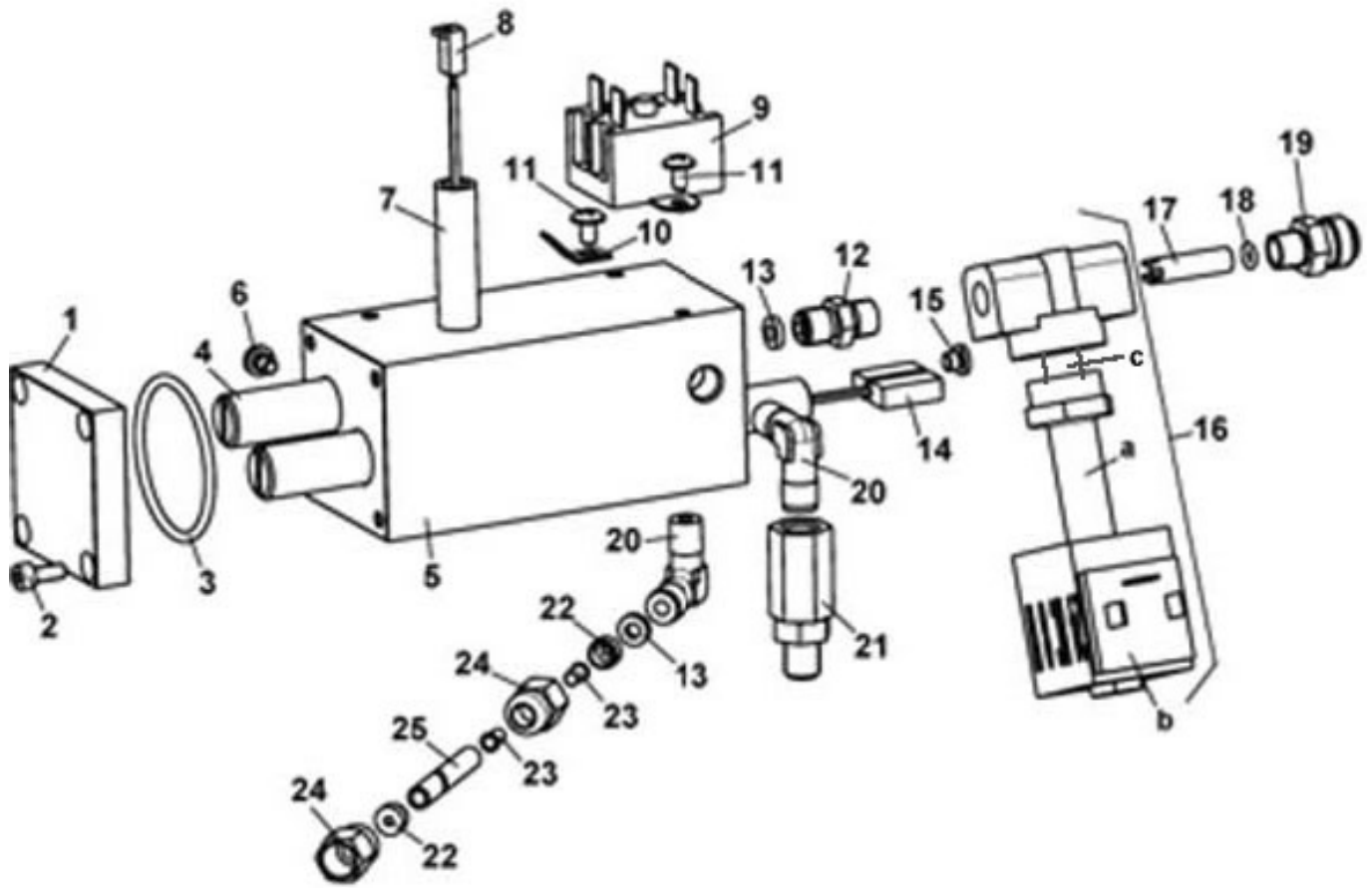


## 17. Water Inlet Group E2

---

<b>Pos.Nr.</b>	<b>Article description</b>	<b>Article Nr.</b>
*		0800013040CL1
1	TANK COVER	0800013043
2	3 A 250 V MICROSWITCH	ELE0001514
3	SILICONE GASKET D.6 CORD 3	GUA0000082
4	FLOATER TANK	0800013046
5	TANK	0800013041
6	D.20 PLASTIC FILTER	0110020007
7	ELBOW WITH RAPID CONNECTION	0800009211
8	OR 109	GUA0000043
9	Y FITTING	0100001065
10	BOILER DISCHARGE PLUG	650001057

# 18. Flash Heater

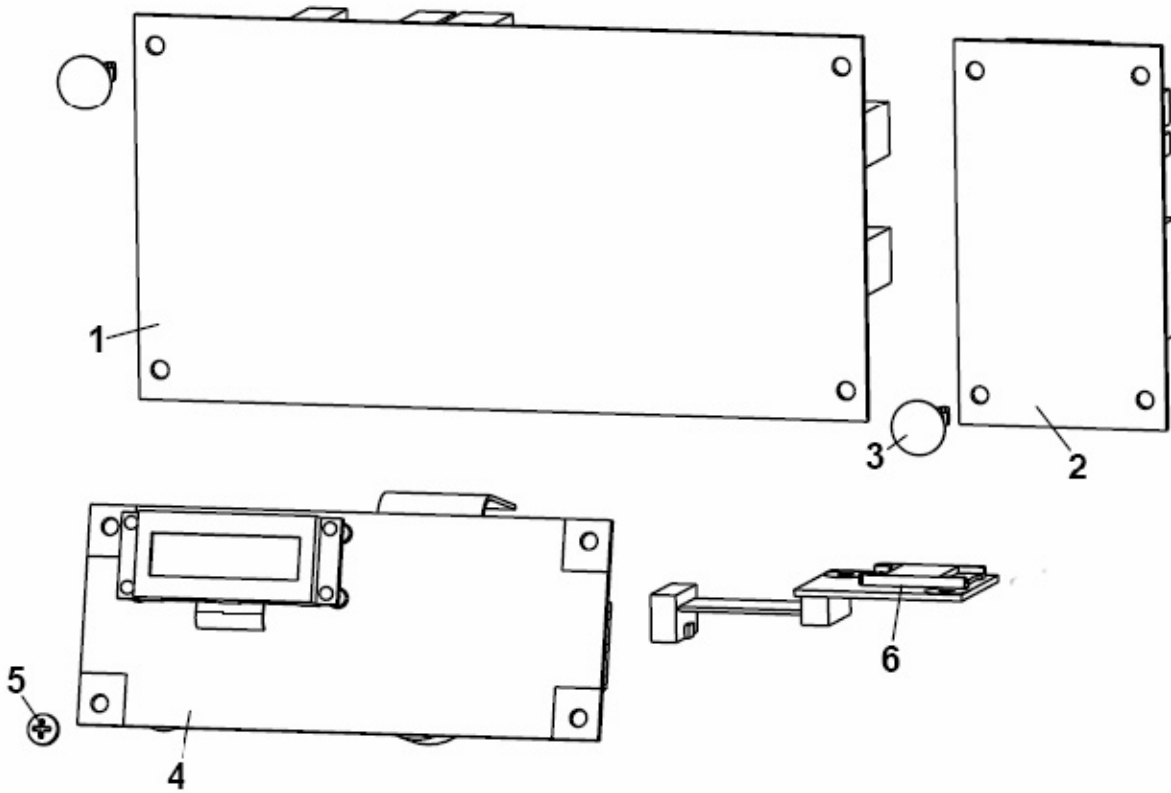




## 18. Flash Heater

Pos.Nr.	Article description	Article Nr.
*	Flashheater cplt.	0600019160CL
1	EXCHANGE FLANGE	0600019162
2	4x10 TCEI SCREW	VIT0005511
3	3162 OR VITON	GUA0000099
4	CERAMICS CARTRIDGE D.14,5 L92,	0600019154
5	HEAT EXCHANGE	0600019163
6	PLASTIC COIN DRAWER BOX	4060010126
7	TRANSPARENT SILICONE PIPE D.7	TSIL07/11T
8	NTC 10K/TE PROBE	ELE0000930
9	BIPOLAR THERMOSTAT 145°	ELE0009031
10		0600019012
11	SCREW TCB M4 x 7	VIT0000030
12	STRAIGHT CONNECTION D.6-1/8M C	0100001017
13	COPPER GASKET	0100003002
14	HEATING CARTRIDGE 700W 230V	0600019157
15	MAN CAP M5 WITH OR VITON	0100001078
16	24 DC 1/8 3-WAY VALVE	0110001072
16a	3-WAY VALVE SLEEVE	0110010035
16b	8W 24 D.C. COIL	0110010065
16c	CORE WITH SPRING FOR 3-WAY VAL	0110010020
17	OR SPACER	0110003122
18	2015 OR	GUA0000069
19	WATER OUTLET UNION	0110003121
20	L FITTING D.6-1/8M CON.	0100001019
21	SAFETY VALVE	0110002009
22	LOCKING RING D.6	0100002002
23	STRENGTHENING BUSH D.4	0100002005
24	NUT FOR PIPE FITTING D.6	0100001002
25	PTFE - PIPE 4x6 mm	TTEF04/06T

# 19. CPU



**19. CPU**

---

<b>Pos.Nr.</b>	<b>Article description</b>	<b>Article Nr.</b>
1	CPU POWER	SCH0006600
2	CPU EXPANSION ONLY FOR ESPRESS	SCH0006620
3	BOARD SUPPORT	ELE0062013
4	DISPLAY BOARD	SCH0005840
5	TAPPING SCREW T.C.B. 3,5 x 6,5	VIT0002009
6	FLASH BOARD	SCH0005860

# FAX – Order

**servomat**  
**steigler**

for Spare parts

to  
servomat steigler  
Robert-Bosch-Str. 3  
89179 Beimerstetten

Date: \_\_\_\_\_

Page: \_\_\_\_\_ from: \_\_\_\_\_

**Fax-No.:** **+49-(0)7348-9566-25** **Customer- No.:**

Did your address change since the last order?  yes  no

Quantity	Article-Number	Description
_____	_____	_____
_____	_____	_____
_____	_____	_____
_____	_____	_____
_____	_____	_____
_____	_____	_____
_____	_____	_____
_____	_____	_____
_____	_____	_____
_____	_____	_____
_____	_____	_____
_____	_____	_____
_____	_____	_____
_____	_____	_____
_____	_____	_____
_____	_____	_____
_____	_____	_____

Delivery address equal invoice address  yes  no

If no – Delivery address :

\_\_\_\_\_  
\_\_\_\_\_  
\_\_\_\_\_  
\_\_\_\_\_

Firmstamp/Date/Signature

Your name: \_\_\_\_\_  
Please write legibly







Your Service and Consulting Partner