



● cafe

Cino XM PB

Sparepart book

Release: 31.07.2008

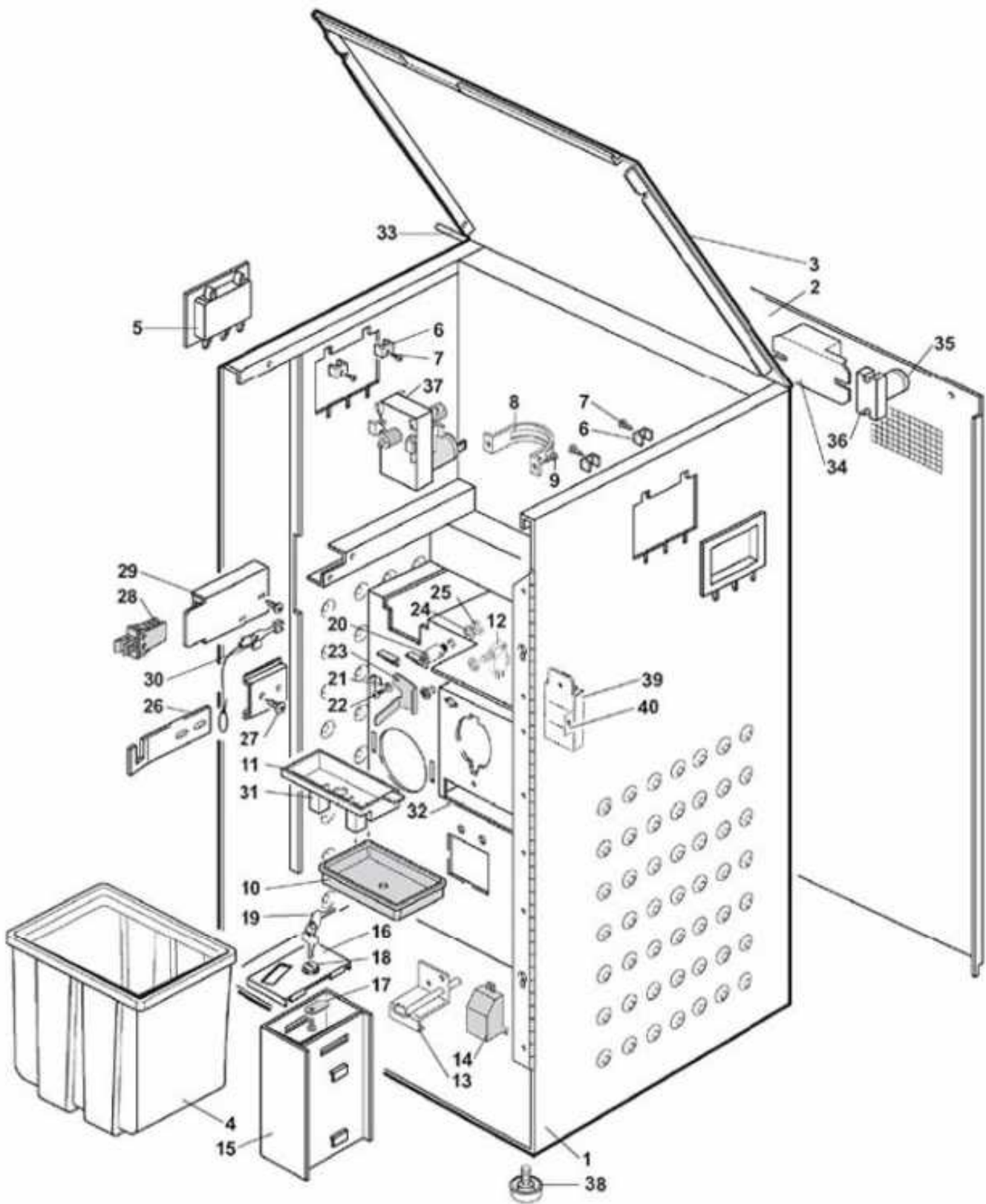
Automatically generated at 15.10.2008



Table of content

1. cabinet front inside- exploded diagramm	1
1. cabinet front inside- Article List	2
2. cabinet rear inside- exploded diagramm	3
2. cabinet rear inside- Article List	4
3. door- exploded diagramm	5
3. door- Article List	6
4. Cups Loader- exploded diagramm	7
4. Cups Loader- Article List	8
5. sticks dispenser- exploded diagramm	11
5. sticks dispenser- Article List	12
6. Products Container- exploded diagramm	13
6. Products Container- Article List	14
7. Mixer Bowls- exploded diagramm	15
7. Mixer Bowls- Article List	16
8. Pipes Movement- exploded diagramm	17
8. Pipes Movement- Article List	18
9. Coffee Beans Container- exploded diagramm	19
9. Coffee Beans Container- Article List	20
10. Mill Group- exploded diagramm	21
10. Mill Group- Article List	22
11. Batcher Group- exploded diagramm	23
11. Batcher Group- Article List	24
12. MICRO COFFEE GROUP MOTOR SUPPORT- exploded diagramm	25
12. MICRO COFFEE GROUP MOTOR SUPPORT- Article List	26
13. MICRO COFFEE GROUP- exploded diagramm	27
13. MICRO COFFEE GROUP- Article List	28
14. Pressure Boiler- exploded diagramm	31
14. Pressure Boiler- Article List	32
15. WATER INLET PANEL- exploded diagramm	35
15. WATER INLET PANEL- Article List	36
16. CPU- exploded diagramm	37
16. CPU- Article List	38
17. Change Giver Kit- exploded diagramm	39
17. Change Giver Kit- Article List	40
18. BASE / Aquamodule- exploded diagramm	41
18. BASE / Aquamodule- Article List	42
Orderfax-Form	43

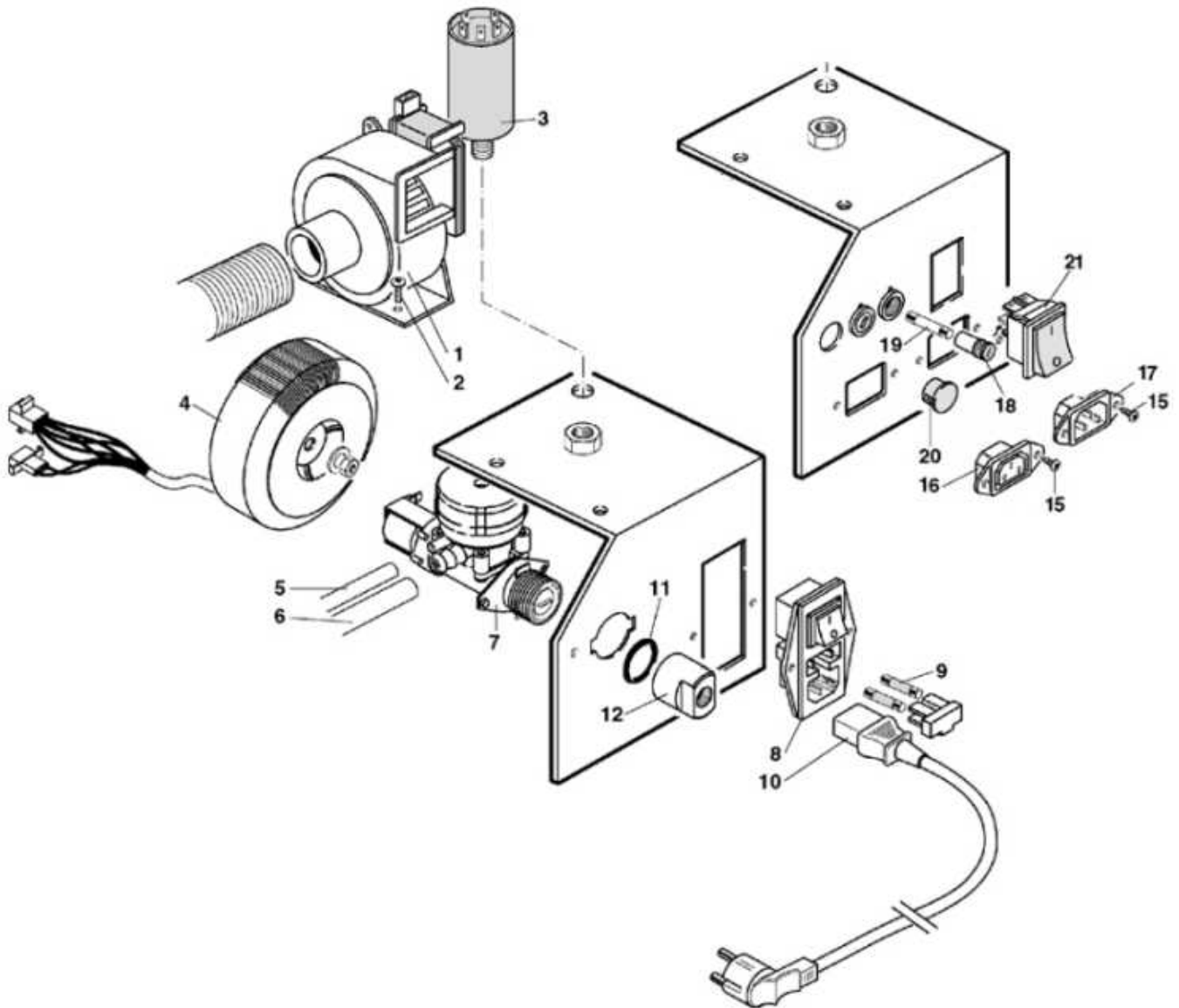
1. cabinet front inside



1. cabinet front inside

Pos.Nr.	Article description	Article Nr.
1		0010022270
2	SPORTELLO POSTERIORE E/H	0010022275
3	UPPER COVER	0010022117
4	GROUND CONTAINER	0010022130
5	HANDLE	0010020026NA
6	SECURING CONNECTION	4600010012
7	TAPPING SCREW TCB 3.5 x 12	VIT0002452
8	PIPES CLIP	0010080186
9	M 4x16 TCB SCREW	VIT0000014
10	E POWDERS COLLECTION TRAY	0010022192
11	EXHAUST DRAWER	0010022115
12	MICROSWITCH 83.131.8-IW3M	ELE0001506
13	TRAY WITH PIPE SUPPORT	0010022138
14	SUPPORTO CONTATTI VASCETTA AS	0010022165R
15	COIN BOX COMPLETE XM	0030010052CL
15	COIN BOX XM	0010022154CL
16	COIN BOX COVER ASSEMBLY	0010022150R
16	XM COIN BOX COVER COMPLETE	0030010051R
17	LOCK BRACKET	SER0001005
18	LOCK 154 BOX 5 DT mm 20 RAPID	SER0000020
19	KEY G 3425	SER0000344
20		0010020196
21	WASHER D.12 x 4.3 x 1.5	VIT0003301
22	SCREW TCB M4 x 7	VIT0000030
23	GROUP CONNECTING PLATE	0010020132
24	WASHER tab D. 6.4	VIT0003105
25	NUT M6	VIT0004505
26	LOCK HOOK COUNTERPART	0010022137
27	SCREW TCB M4 x 7	VIT0000030
28	SAFETY SWITCH	ELE0002009
29	SWITCH SUPPORT ASSEMBLY	0010022157
30	SERVICE KEY ASSEMBLY	0270011109CL
31	FEEDER	0010022131
32		0010022111
33	SHAFT UPPER COVER	0010022124
34	220 V BALLAST	ELE0009116
35	STARTER	ELE0009109
36	L 8 W 20 LAMP	ELE0009108
37	MR NCJM2480-X 24VDC	0090002113
38	CABINET FEET ASSEMBLY	0010020169
39	FLASH MEMORY INTERFACE COVER	0020040238
40	MOUNTING INTERFACE FLASH CARD	0020040240

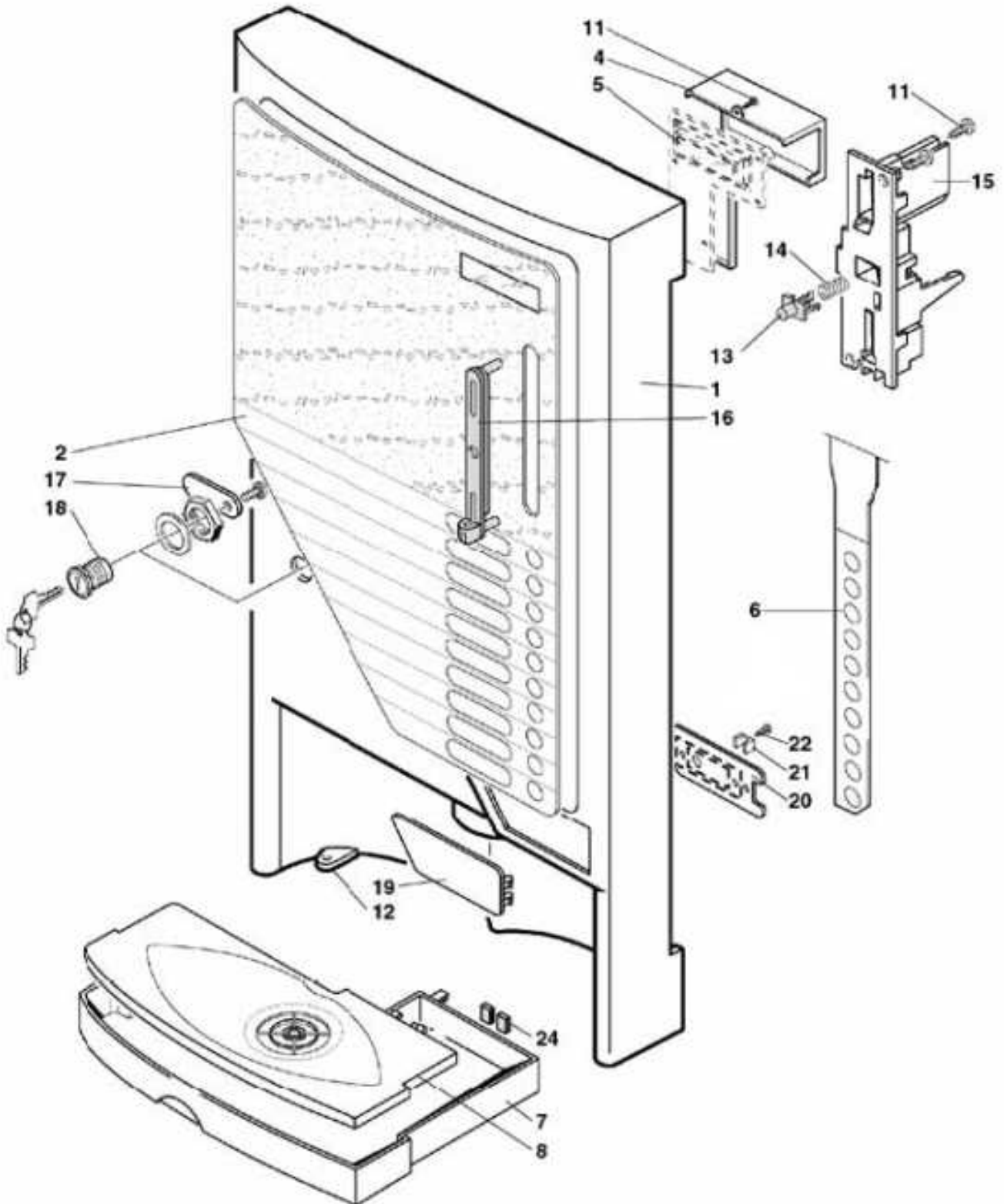
2. cabinet rear inside



2. cabinet rear inside

Pos.Nr.	Article description	Article Nr.
1	CENTRIFUGAL EXHAUSTER	ELE0000459
2	M 4x12 TCB SCREW	VIT0000013
3	ANTIPARASITIC FILTER 250V 10A 0.47yF	ELE0009055
4	TOROIDAL TRANSFORMER ASSEMBLY	ELE0000569R
5	TRANSPARENT SILICONE PIPE D.5	TSIL05/08T
6	TRANSPARENT SILICONE PIPE D.7	TSIL07/11T
7	24 DC INLET VALE WITH SAFETY D	0110001086
8	POWER SWITCH MODULE	ELE0002309
9	5A SLOW-BLOW GLASS FUSE 5x20	ELE0003028
9a	Fuse mounting drawer for Cino	500055
10	POWER LEAD 3 x 1 SOCKET AND SC	ELE0055008
11	OR 130 JUST FOR MAIN WATER SUP	GUA0000021
12	3/8 GAS M WATER INLET VALVE CO	0810010558
15	TAPPING SCREW T.C.B. 3,5 x 6,5	VIT0002009
16	IEC 10A 250V SOCKET	ELE0002312
17	IEC 15A 250V SOCKET	ELE0002310
18	FUSES HOLDER	ELE0003507
19	SLOW-BLOW CERAMIC TYPE 6.3A FU	ELE0003024
20	RELEASE PLUG	GUA0011010
21	15A 250V ON/OFF UL/CSA BIPOLAR	ELE0002014

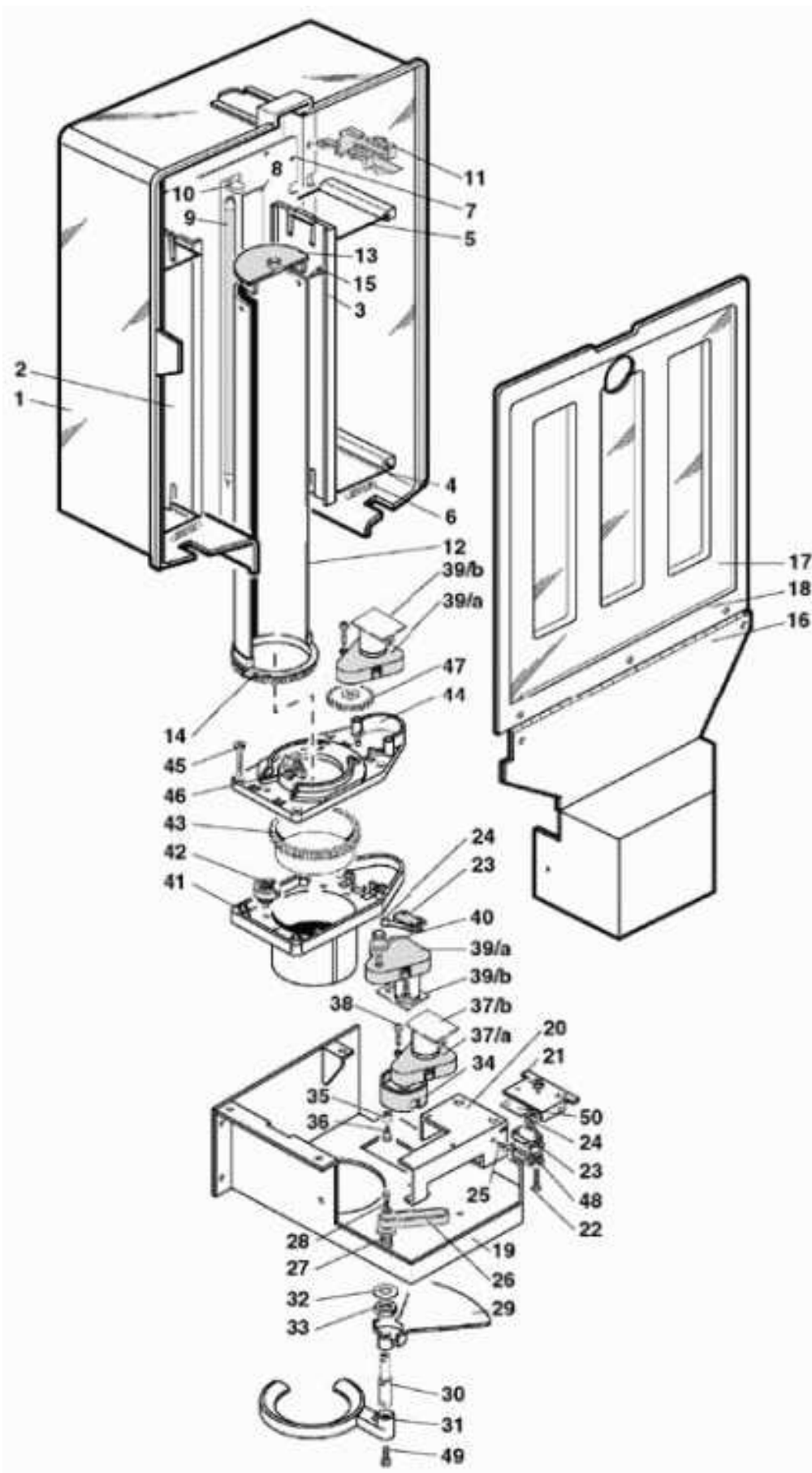
3. door



3. door

Pos.Nr.	Article description	Article Nr.
1	XM COMPLETE DOOR BLACK	0020040204
2	FRONT PANEL XM PB	0020040241
4	DISPLAY COVER	0020040226
5	DISPLAY/ACTUATORS XM	SCH0004100
6	KEYBORD	0020040215
7	WATER TRAY	0020040206
8	WATER COLLECTION TRAY GRATE	0020040207
13	RED COIN RETURN BUTTON 3020	0020035033KA
14	COIN RETURN BUTTON SPRING	0020035034
15	COIN BOX SUPPORT	0020035032NA
16	BLACK COIN BOX TAB	0020035031NA
17	LOCK HOOK	0020040212
18	BOX 5 20 mm LOCK	SER0000001
19	DOOR FRONT COVER	0020040233
20	FRONT COVER SECURING PLATE	0020040232
21	SECURING CONNECTION	4600010012
22	TAPPING SCREW TCB 3.5 x 9.5	VIT0002401
24	H2O TRAY CONTACT	0020040213

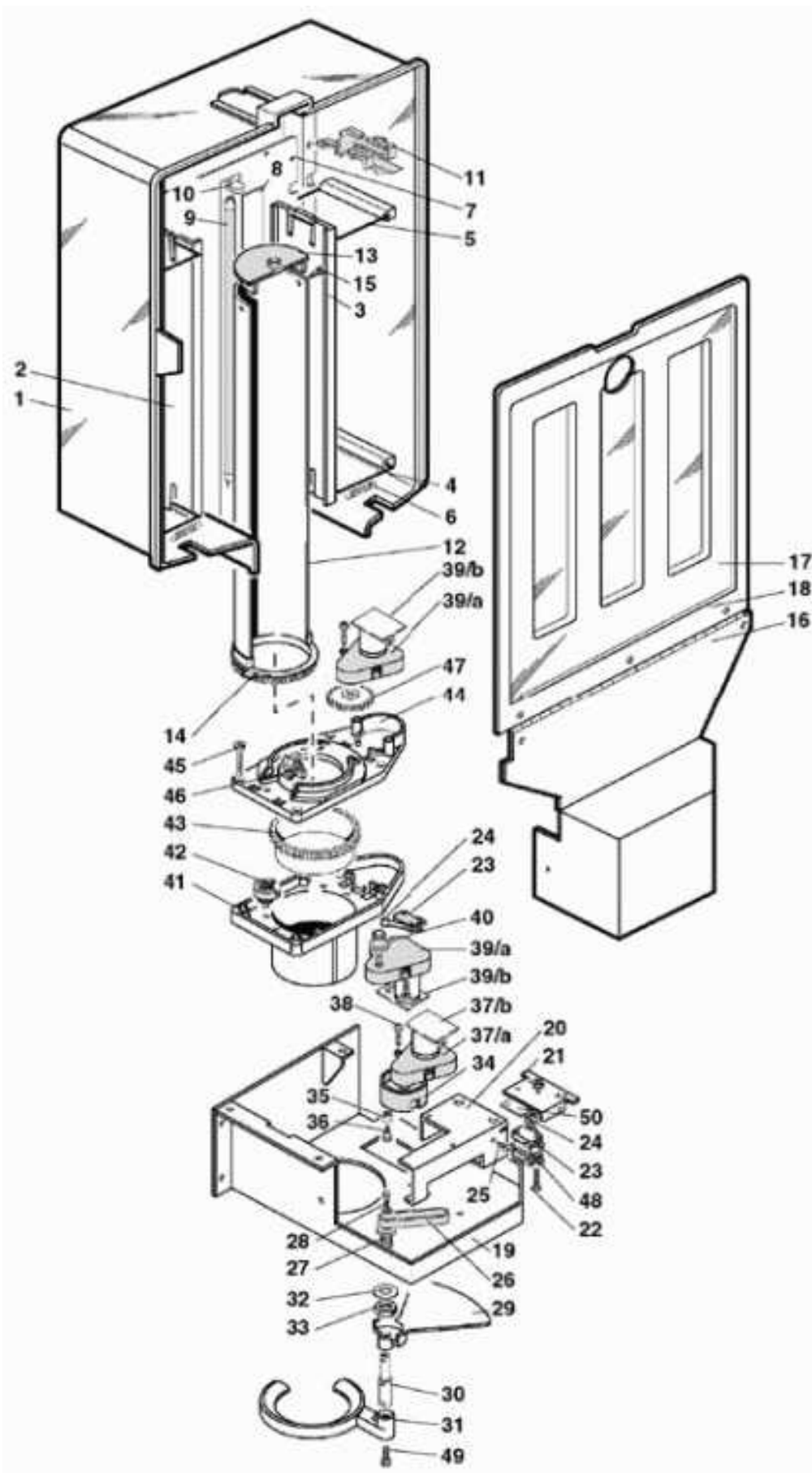
4. Cups Loader



4. Cups Loader

Pos.Nr.	Article description	Article Nr.
1	CUPS LOADER	0020040205
2	LOADER SHORT WALL	0180005009
3	R.H. WALL ASSEMBLY	0180005013
4		0180012224
5		0180001226
6	LOADER WALL SUPPORT SPRING	0180005011
7		0020040211
8		0020040219
9	FLUORESCENT TUBE 8W	ELE0009018
10	BIPLUG G 13 LAMP HOLDER	ELE0009107
11	COVER HOOK	0020040209
12	CENTRAL COLUMN	0180012227
13	CENTRAL COLUMN GUIDE	0180005007
14	CENTRAL COLUMN RING NUT	0180005026NA
15	TAPPING SCREW TCB 3.5 x 9.5	VIT0002401
16		0180012219
17	LOADER COVER	0180012222
18	3 x 6 ALUMINIUM RIVET	VIT0007021
19		0180012208
20		0180012207
21		0180012209
22	TAPPING SCREW T.C.B. 3,5 x 6,5	VIT0002009
23	1-WAY 16 A 250 V MICROSWITCH	ELE0001522
24	161 E R 24.1 MICRO LEVER	ELE0001906
25	2.9x 9.5 TAPPING TCB SCREW	VIT0002011
26	FORK MOVEMENT PROFILE	0180012211
27	BUSH	0180012216
28	SCREW M5 x 8	VIT0000016
29	CUP STOP	0180012214
30	FORK SHAFT	0180012212
31	CUP SUPPORT FORK	0180012217
32	5.3x10x1 WASHER	VIT0003004
33	M 4 NUT	VIT0004504
34	FORK CAM	0180012206
35	CONTROL CONNECTING ROD ROLL	0200001011
36	ROLL PIN	0200001012
37a	MT.G70.C2.BL.EH.00 24V DC	0090002514
37b	DC MOTORS FILTER	SCH0003740
38	M 3x10 TCB SCREW	VIT0000004
39a	24 V DC 10 ROM GEAR MOTOR HEXA	0090002512
39a	24 V DC 10 ROM GEAR MOTOR HEXA	0090002512R
39b	DC MOTORS FILTER	SCH0003740
40	FGEAR MOTOR PINION	0190006007
41	CUPS LOADER LOWER PLATE	0190006003
42	CAM WITH PINION	0190006005/L
43	Z 66 RING NUT	0190006004
44	CUPS LOADER UPPER PLATE	0190006002
45	M 5x35 TCB SCREW	VIT0000019

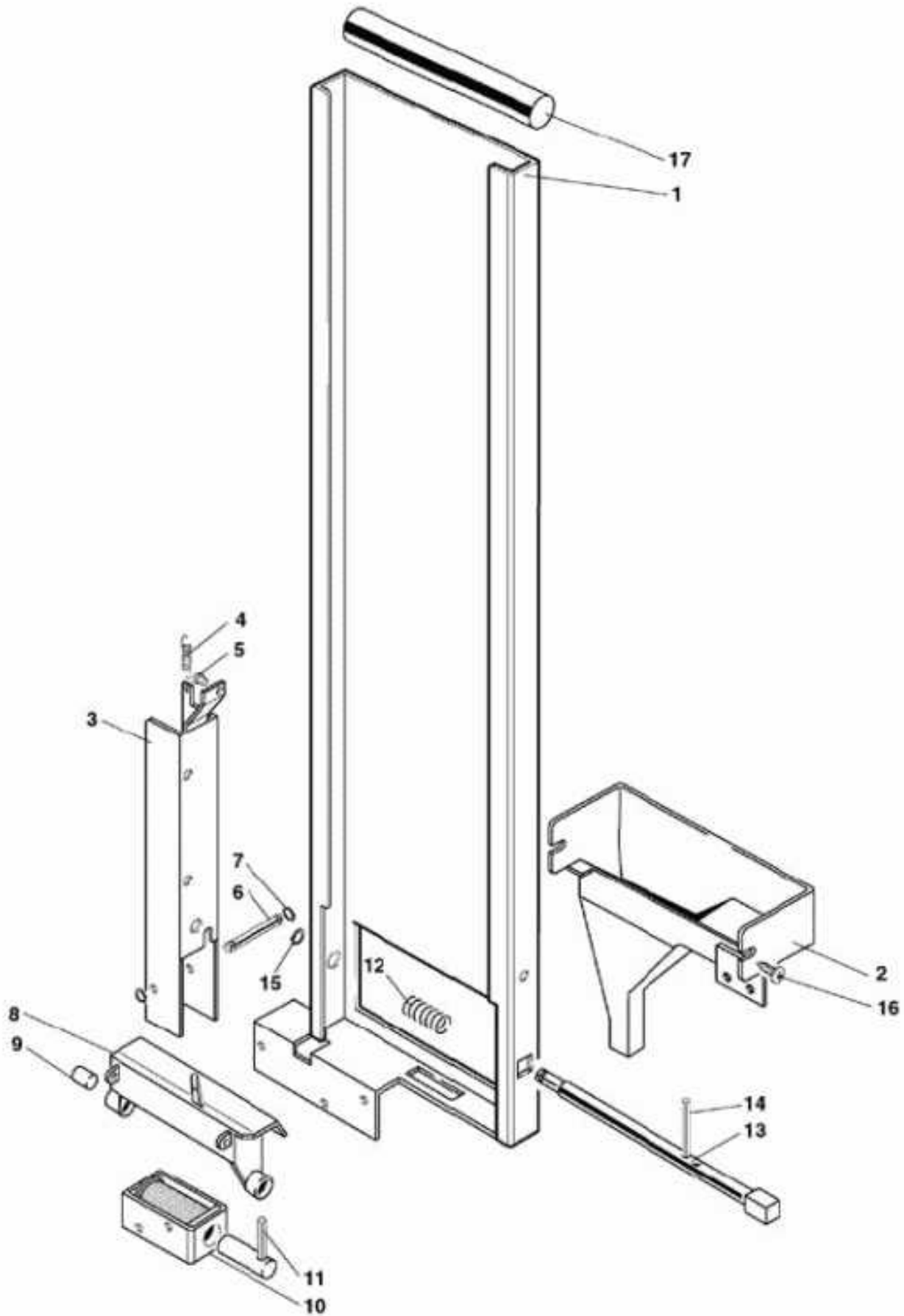
4. Cups Loader



4. Cups Loader

Pos.Nr.	Article description	Article Nr.
46	CUP SENSOR CABLE +COLUMN SENSO	CBL0900202
46	CUP DETECTOR	SCH0003460
47	Z.30 PINION	0180005004
48	SUPPLEMENTARY INSULATION	7500902054
49	GROUP SECURING SCREW	4003502021
50	MICRO SPACER	4600010014

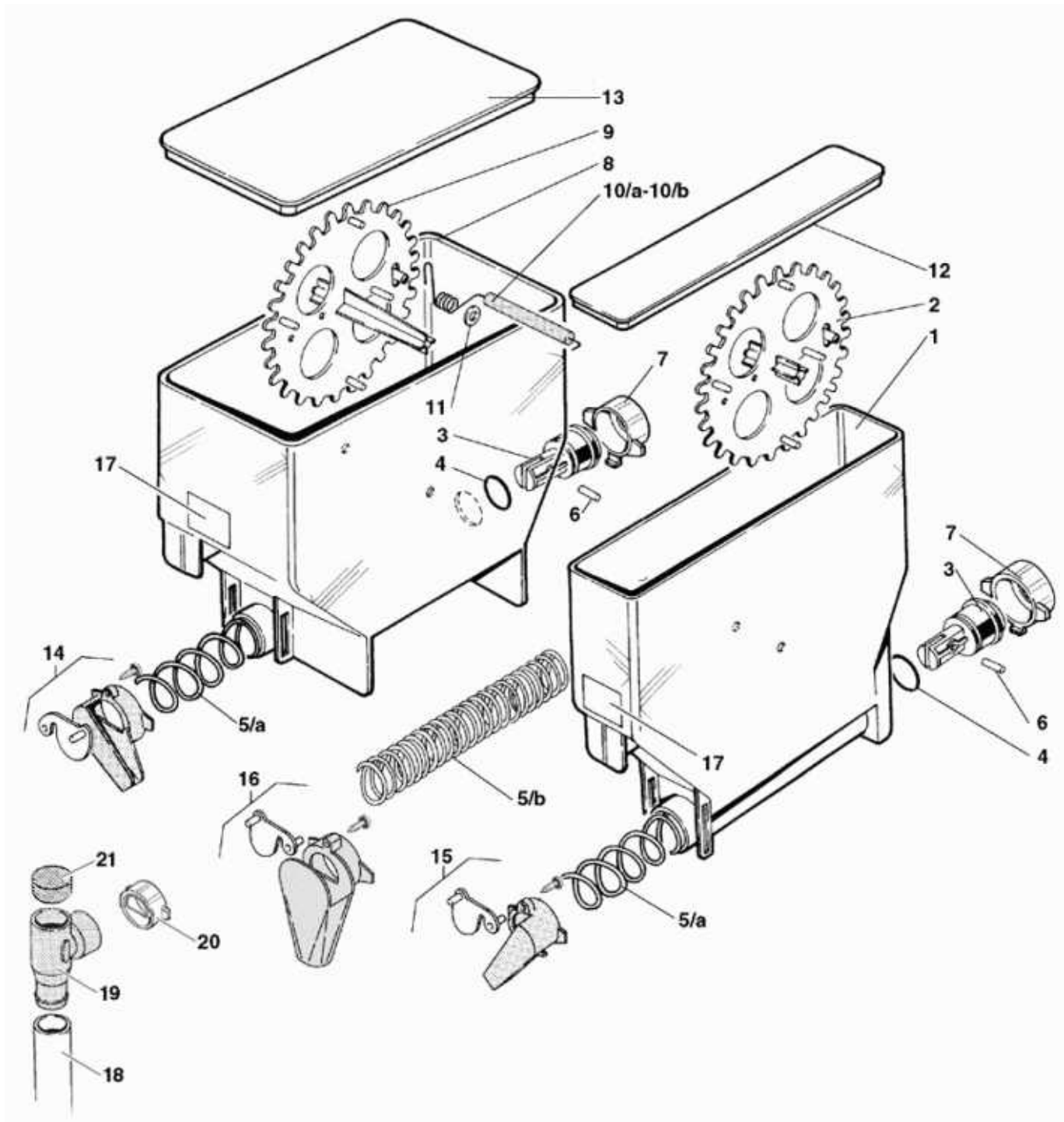
5. sticks dispenser



5. sticks dispenser

Pos.Nr.	Article description	Article Nr.
*	STICKS DISPENSER 104 XM assiem	0450003520CL
1		0450003522
2		0450003507
3		0450003512
4	MOBILE WALL SPRING	0380010431
5	BUTTON PLUG	0020018061
6		4050006016
7	D.3.2 RADIAL STOP RING	VIT0006502
8	STICKS DISPENSER	0450002003
9		0450003031
10		ELE0000058
11		VIT0005404
12		0450002010
13		0450003524
14		VIT0005403
15	D.4 RADIAL STOP RING	VIT0006503
16	TAPPING SCREW TCB 3.5 x 9.5	VIT0002401
17	STICK WEIGHT 104 mm	0450003033

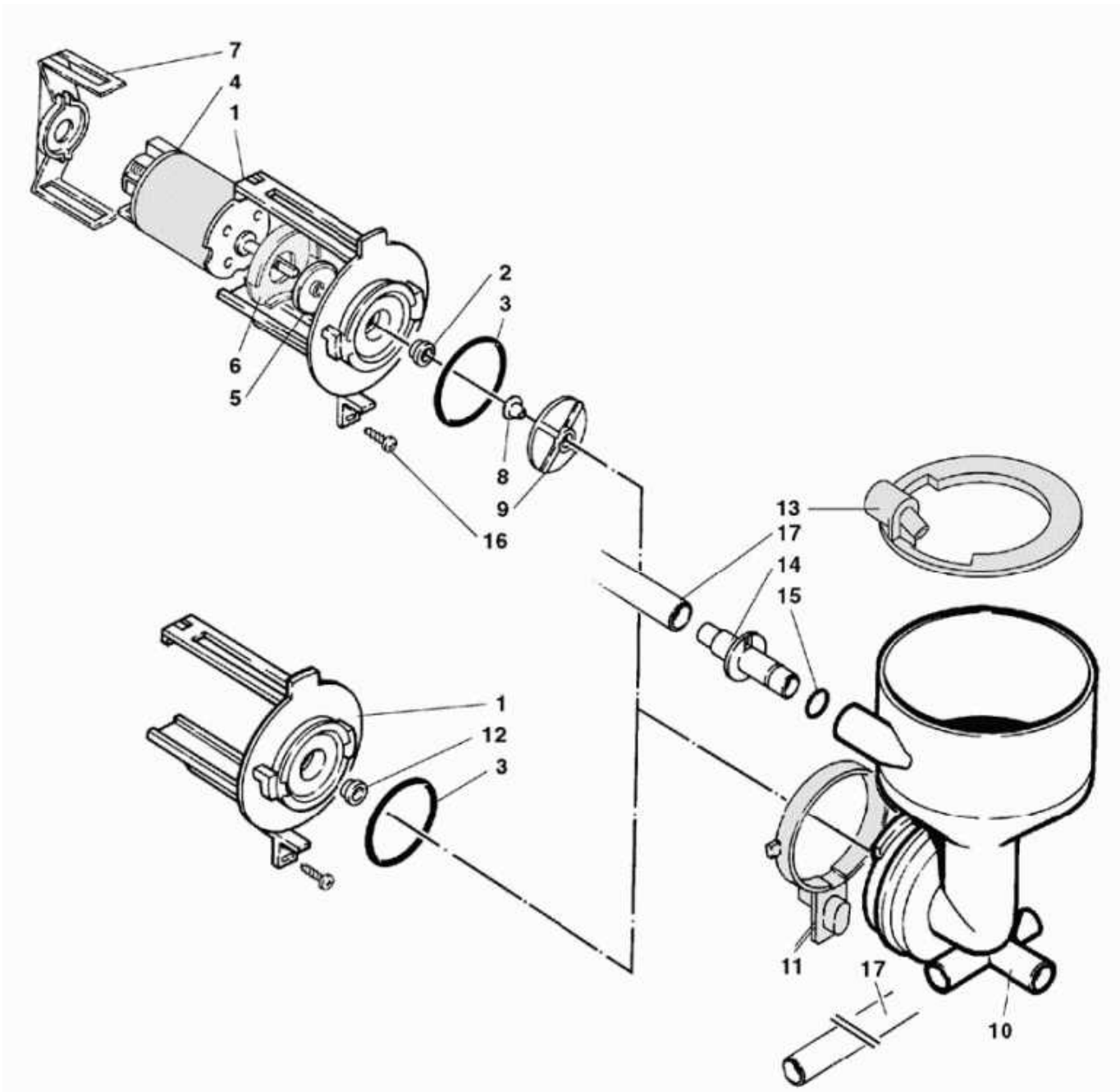
6. Products Container



6. Products Container

Pos.Nr.	Article description	Article Nr.
*	CONT. PROD. SMALL 54mm VSF18 C	0230030250R
*	SMALL PRODUCT CONT.H265 WORM S	0230030254R
*	LARGE PRODUCT CONT.H265 WORM S	0230030172R
*	SMALL PRODUCT CONT.H265 WORM S	0230030173R
*	LARGE PRODUCT CONT.H265 WORM S	0230030174R
*	CONT. PROD. GRANDE H 265	0230030175R
*	SMALL PRODUCT CONT.H265 WORM S	0230030254R
*	CONT. PROD. SMALL 54mm VSF18 C	0230030250r
1	PLASTIC INGREDIENT CONTAINER h	0230030234
1	PLASTIC INGREDIENT CONTAINER h	0230030234
2	MIXER GEAR ORANGE RAL 2011	0230030016
3	WORM SCREW PIN	0230030012
4	OR 123	GUA0000083
5a	WORM SCREW P.18	0230030014
5b	WORM SCREW P. 9	0230030013
6	ELASTIC PIN D.2 x 14	VIT0005301
7	REAR BUSH	0230030011
8	PLASTIC INGREDIENT CONTAINER h	0230030234
8	PLASTIC INGREDIENT CONTAINER h	0230030234
9	MIXER GEAR mm.110 ORANGE RAL 2	0230030015
10a	INGREDIENT MIXER 112 mm. R.H.	0230030041
10a	INGREDIENT MIXER 112 mm. L.H.	0230030042
11	STAINLESS STEEL FLAT WASHER D.	VIT0003210
12	CONTAINER COVER 54 mm. From se	0230030156
13	CONTAINER COVER 110 mm. From s	0230030158
14	RIGHT CONVEYOR INGREDIENT	0230030184R
14	RIGHT CONVEYOR INGREDIENT	0230030187R
15	LEFT CONVEYOR INGREDIENT	0230030186R
15	LEFT CONVEYOR INGREDIENT	0230030183R
16	CONVEYOR INGREDIENT	0230030185R
17	SUGAR I-F-D- LABEL	1010150001
17	COFFEE I-F-D- LABEL	1010150002
17	SHOKO I-F-D- LABEL	1010150006
17	MILK I-F-D- LABEL	1010150003
17	SOUP I-F-D- LABEL	1010150005
17	TEA I-F-D- LABEL	1010150004
18	D.10x14 NATURAL TRANSPARENT SI	TSIL14/20T
19	SUGAR FEEDER	0230016024
20	SUGAR CHUTE REDUCTION	0230030206
21	PRODUCT CHUTE PLUG	4002050109
21	PRODUCT CHUTE PLUG	4002050109

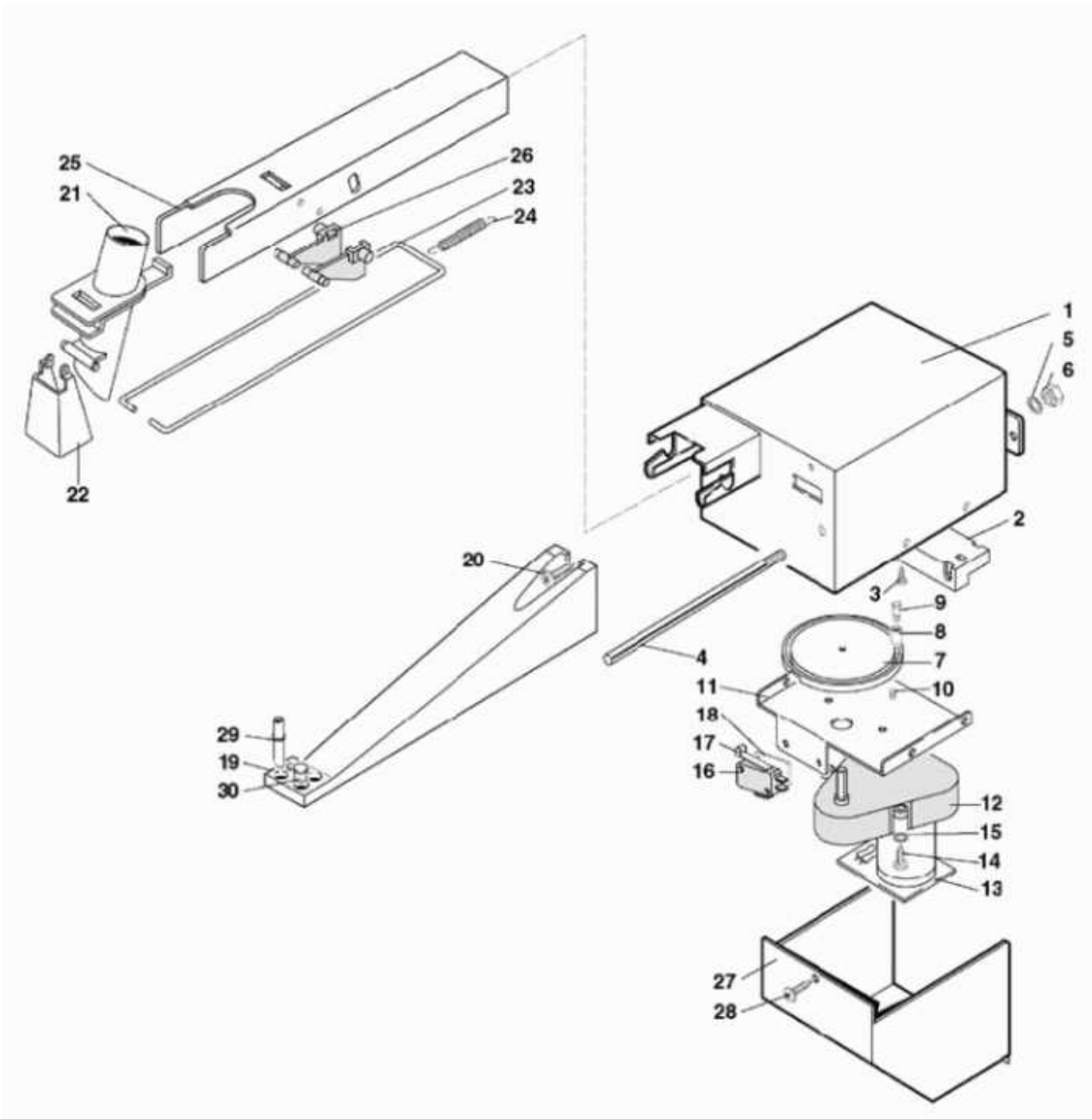
7. Mixer Bowls



7. Mixer Bowls

Pos.Nr.	Article description	Article Nr.
*	MIXER BASE+MOTOR ASSEMBLY assi	0080100001R
1	MIXER BASE	0080100005
2	MIXER BASE BUSH	0080100015
3	OR 3131	GUA0000084
4	24 V DC MIXER MOTOR SHAFT D.4	0090003023
5	DRIP TRAP FAN	0080100024
6	MIXER COVER ORANGE RAL 2011	0080100023
7	MOTOR HOUSING CONNECTION ORANG	0080100009
8	MIXER SHAFT GASKET (V-RING)	0080100014
9	SMALL FAN MIXER SHAFT D.4	0080100011
10	MIXER BODY NO INLET	0080100041
11	STOPPER RING ORANGE RAL 2011	0080100006
12	MIXER BASE PLUG	0080100018
13	MIXER TRAP WITH INLET	0080100042
14	SHORT MIXER INSERT	0080100043
15	SILICONE OR 106	GUA0000085
16	TAPPING SCREW TCB 3.5 x 9.5	VIT0002401
17	TRANSPARENT SILICONE PIPE D.6	TSIL06/09T

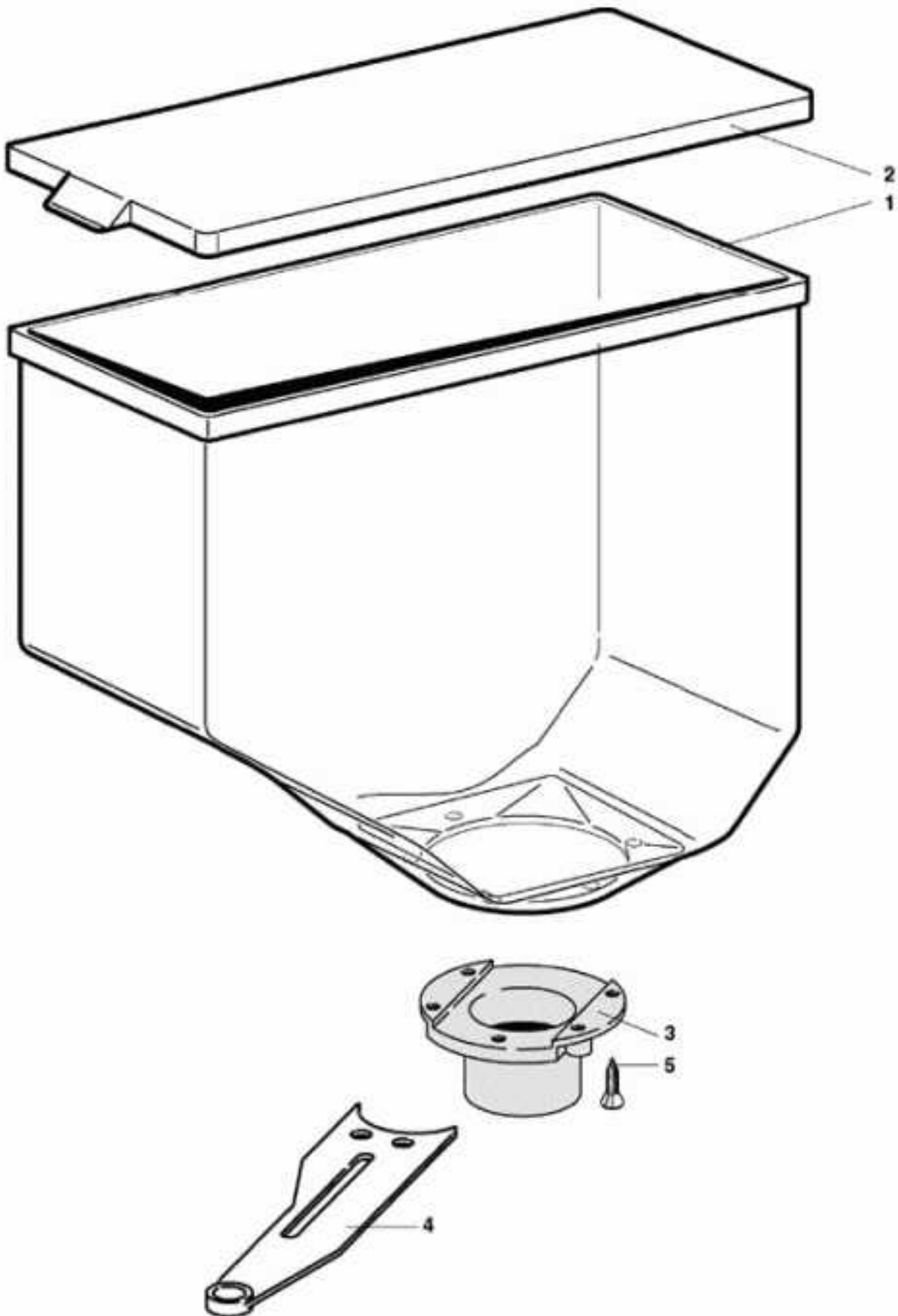
8. Pipes Movement



8. Pipes Movement

Pos.Nr.	Article description	Article Nr.
*	SUGAR MOVEMENT ASSEMBLY assiem	0380011310CL
1	PIPES MOVEMENT HOUSING	0380011329
2	PIPES SUPPORT GUIDE	0380011321
3	TAPPING SCREW TCB 3.5 x 9.5	VIT0002401
4	SUGAR SUPPORT GUIDE SHAFT	0380011322
5	WASHER tab D. 4.3	VIT0003103
6	NUT M 4	VIT0004503
7	CONNECTING ROD	0380011326
8	CONTROL CONNECTING ROD ROLL	0200001011
9	ROLL PIN	0200001012
10	M 4 x 6 DOWEL	VIT0007002
11	GEAR MOTOR SUPPORT	0380011311
12	24 V DC 10 ROM GEAR MOTOR HEXA	0090002512r
12	24 V DC 10 ROM GEAR MOTOR HEXA	0090002512
13	DC MOTORS FILTER	SCH0003740
14	M 3x8 TCB SCREW	VIT0000003
15	WASHER tab D. 3.2	VIT0003102
16	1-WAY 16 A 250 V MICROSWITCH	ELE0001522
17	161 E R 24.1 MICRO LEVER	ELE0001906
18	SUPPLEMENTARY INSULATION	7500902054
19	PRODUCT PIPES SUPPORT ESTRAIBI	0380011323
20	M 3x16 TCB SCREW	VIT0000006
21	SUGAR CHUTE	0380011229
22	MOBILE WALL FOR NEW ELECTRONIC	0380010424
23	REMOVABLE SUPPORT CONNECTION	0380011328
24	MOBILE WALL SPRING	0380010431
25	PIPES MOVEMENT SUPPORT	0380011327
26	KEY PIPES MOVEMENT	0380010599
27	GEAR MOTOR COVER	0380011324
28	TAPPING SCREW T.C.B. 3,5 x 6,5	VIT0002009
29	DISPENSER PIPE	0380010657NA
30	BLACK PLUG	0380010656NA

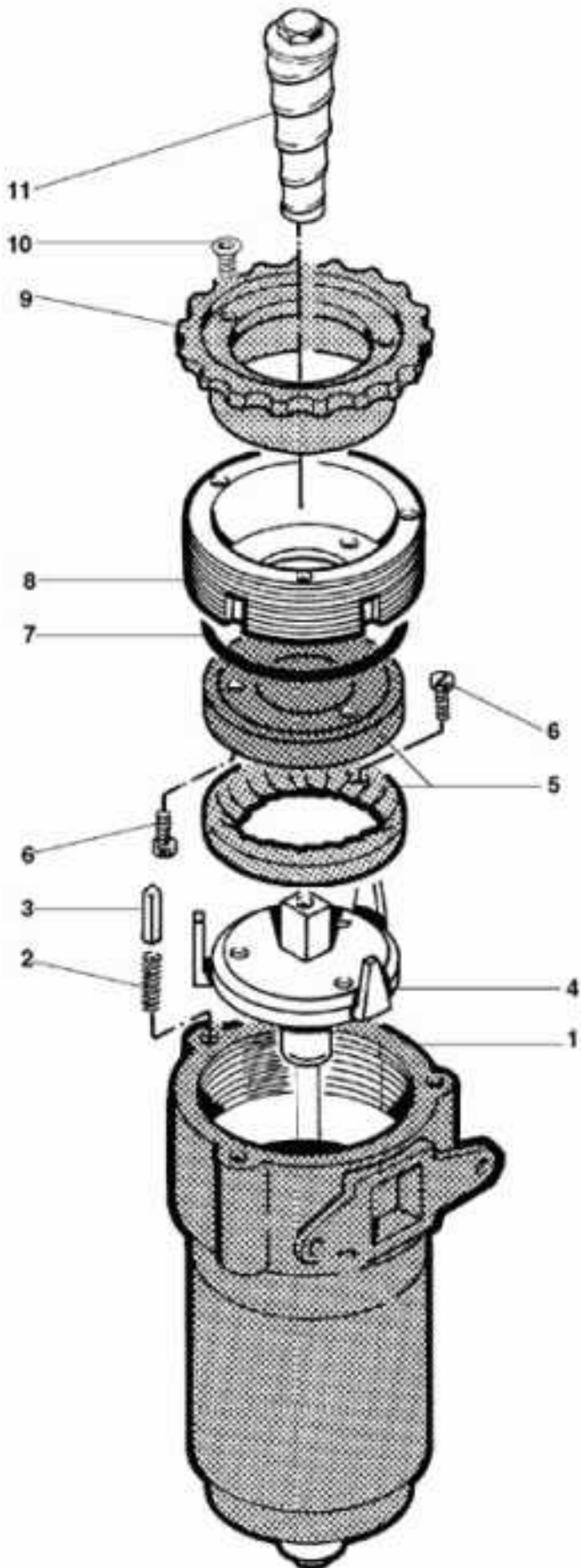
9. Coffee Beans Container



9. Coffee Beans Container

Pos.Nr.	Article description	Article Nr.
*	COFFEE CONTAINER WITH COVER	0230015170CL
1	COFFEE CONTAINER	0230015171
2	COFFEE CONTAINER COVER E/8	0230015172
3	COFFEE CONTAINER BOTTOM BLACK	0230015066
4	RED COFFEE CONTAINER BLADE ORA	0230015072
5	3.9x 13 TAPPING TCB SCREW	VIT0002101

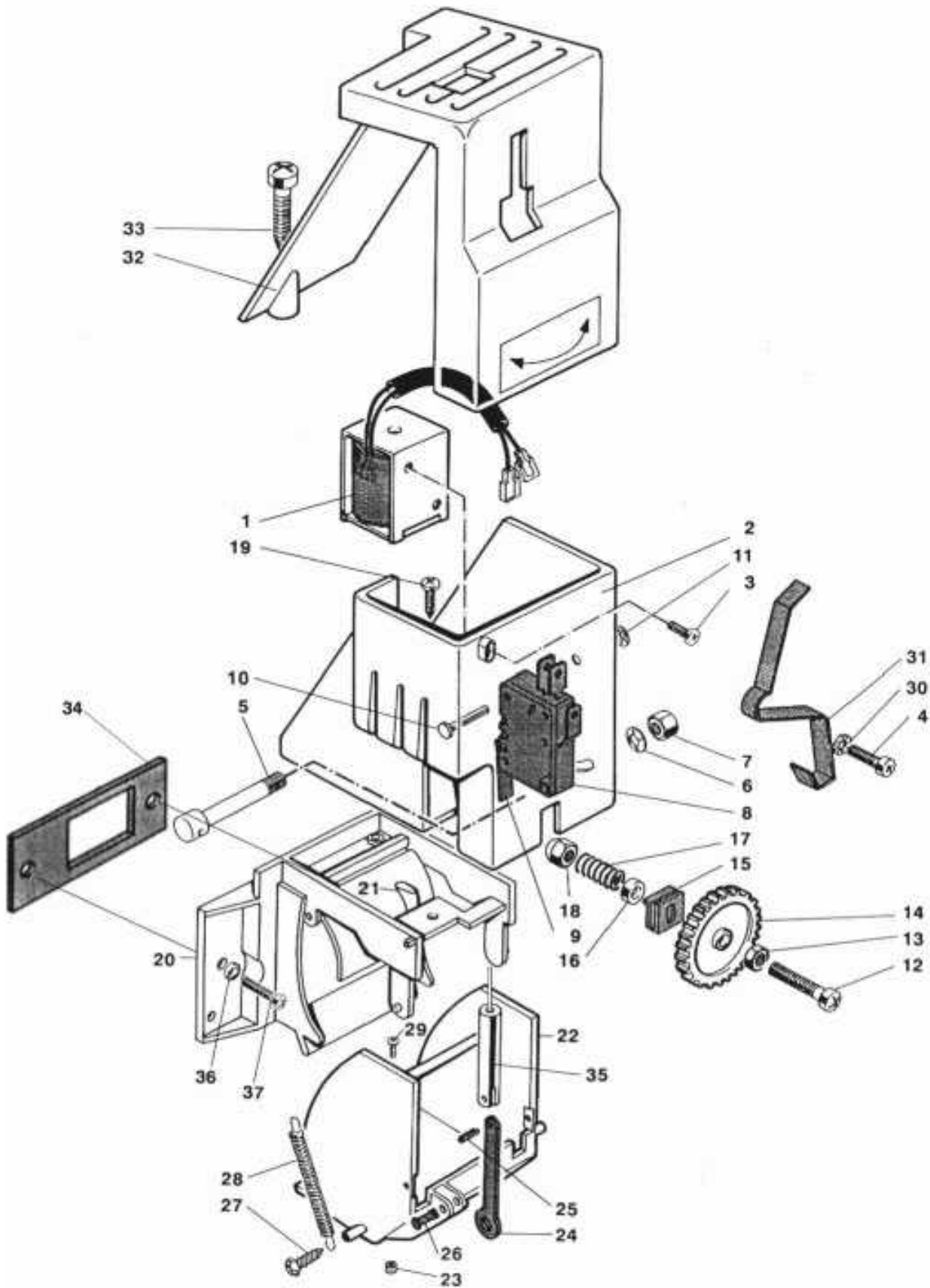
10. Mill Group



10. Mill Group

Pos.Nr.	Article description	Article Nr.
*	GRINDER GROUP XS/XM/ECO/DIVA	0320004150CL
1	MOTOR	0090002095
2	DOOR SWITCH SPRING	270001023
3	COMPENSATING PIN	0320002011
4	LOWR GRINDER SUPPORT	0320004107
5	GRINDER COUPLE XS/XM PB	0090003020
6	M 4x8 TCB SCREW	VIT0000024
7	3225 OR	GUA0000060
8	UPPER GRINDER SUPPORT	0320004109
9	GRINDER SUPPORT RING NUT	0320004112
10	M 3x10 TSP SCREW	VIT0000102
11	LOWER GRINDER SUPPORT WORM SCR	0320004116

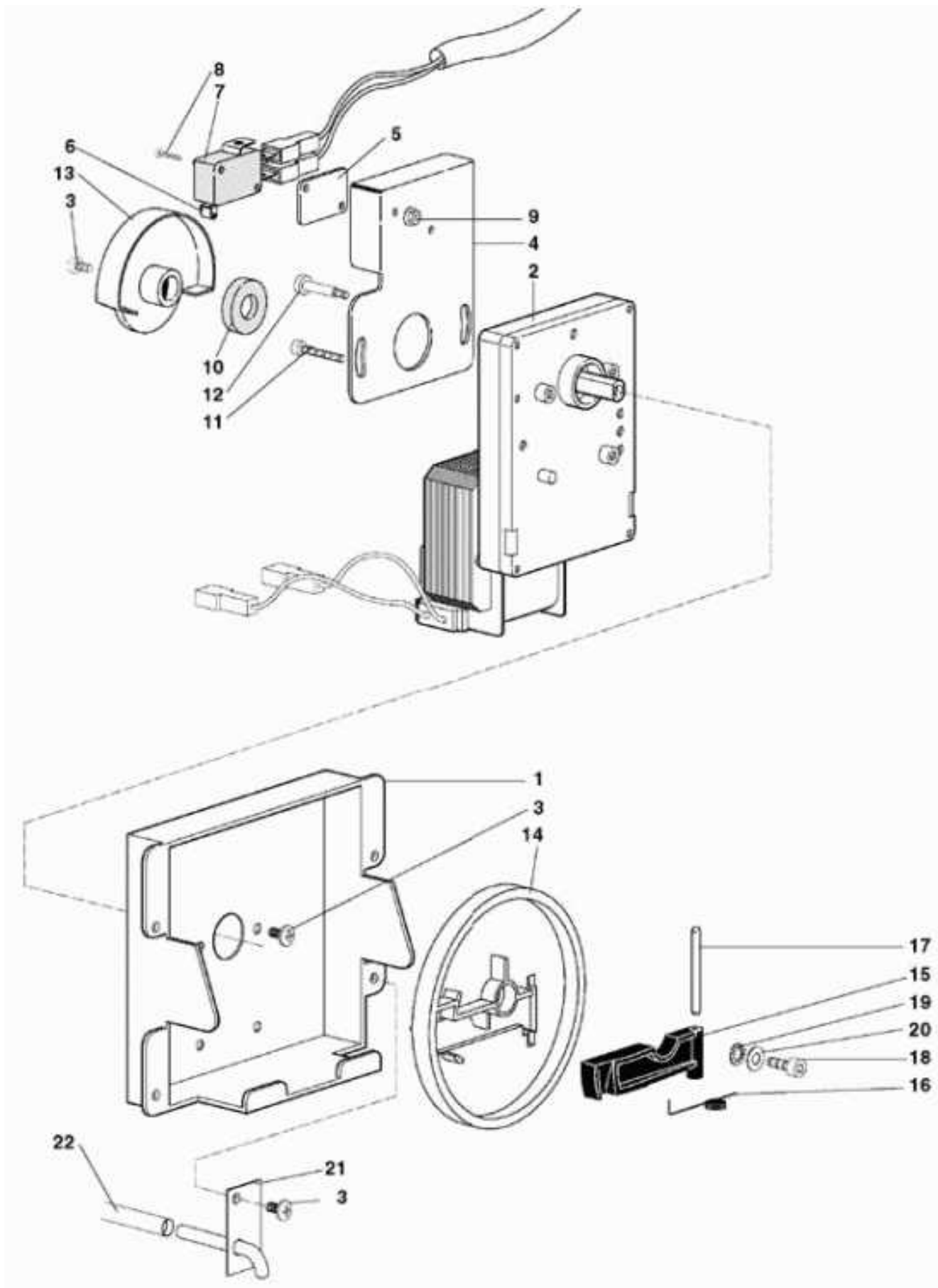
11. Batcher Group



11. Batcher Group

Pos.Nr.	Article description	Article Nr.
*	24 V DC COFFEE PLASTIC BATCHER	0350003110CL
1	24V DC ELECTROMAGNET W/CABLES	ELE0000056
2	ELECTROMAGNET SUPPORT	0350003108
3	M 3x14 TCB SCREW	VIT0000028
4	M 3x12 TCB SCREW	VIT0000005
5	SETTING PIN	0350003114
6	D.3.2 x 8 x 0.4 SPRING	VIT0009161
7	M.3 SELFLOCKING NUT	VIT0004814
8	1-WAY 16 A 250 V MICROSWITCH	ELE0001522
9	MICRO LEVER	0350003121
10	ROTATION PIN Batcher Group	0350003112
11	D.3 BENZING-QUICKLOCK	VIT0007101
12	M 3x30 TCB SCREW	VIT0000009
13	M3 NUT	VIT0004502
14	WEIGHT SETTING WHEEL BLACK	0350003113
15	CONNECTION TO BE TIGHTENED	0350003122
16	MICRO SPACER	7500102053
17	SETTING SPRING	0350003115
18	M.3 CAP NUT	VIT0004813
19	2.9x 9.5 TAPPING TCB SCREW	VIT0002011
20	BATCHER BODY BLACK	0350003105
21	BLADE Batcher group	0350003106
22	COFFEE FEEDER BLACK	0350003301
23	SHAKER	0350003302
24	ELECTROMAGNET CONNECTING ROD	0350003109
25	15x8 STAINLESS STEEL CYL. PIN	VIT0005009
26	PIN BLACK	0350003111
27	2.9x 6.5 TAPPING TCB SCREW	VIT0002001
28	SPRING	0350003116
29	M 4x8 INOX TCB SCREW	VIT0000032
30	WASHER tab D. 3.2	VIT0003102
31	BATCHER LOCK	0350003119
32	COVER	0350003128
33	TAPPING SCREW TCB 3.5 x 12	VIT0002452
34	MILL-BATCHER PLATE	0320004141
35	COFFEE FEEDER SPACER	0350003118
36	WASHER tab D. 4.3	VIT0003103
37	M 4x25 TCB SCREW	VIT0000015

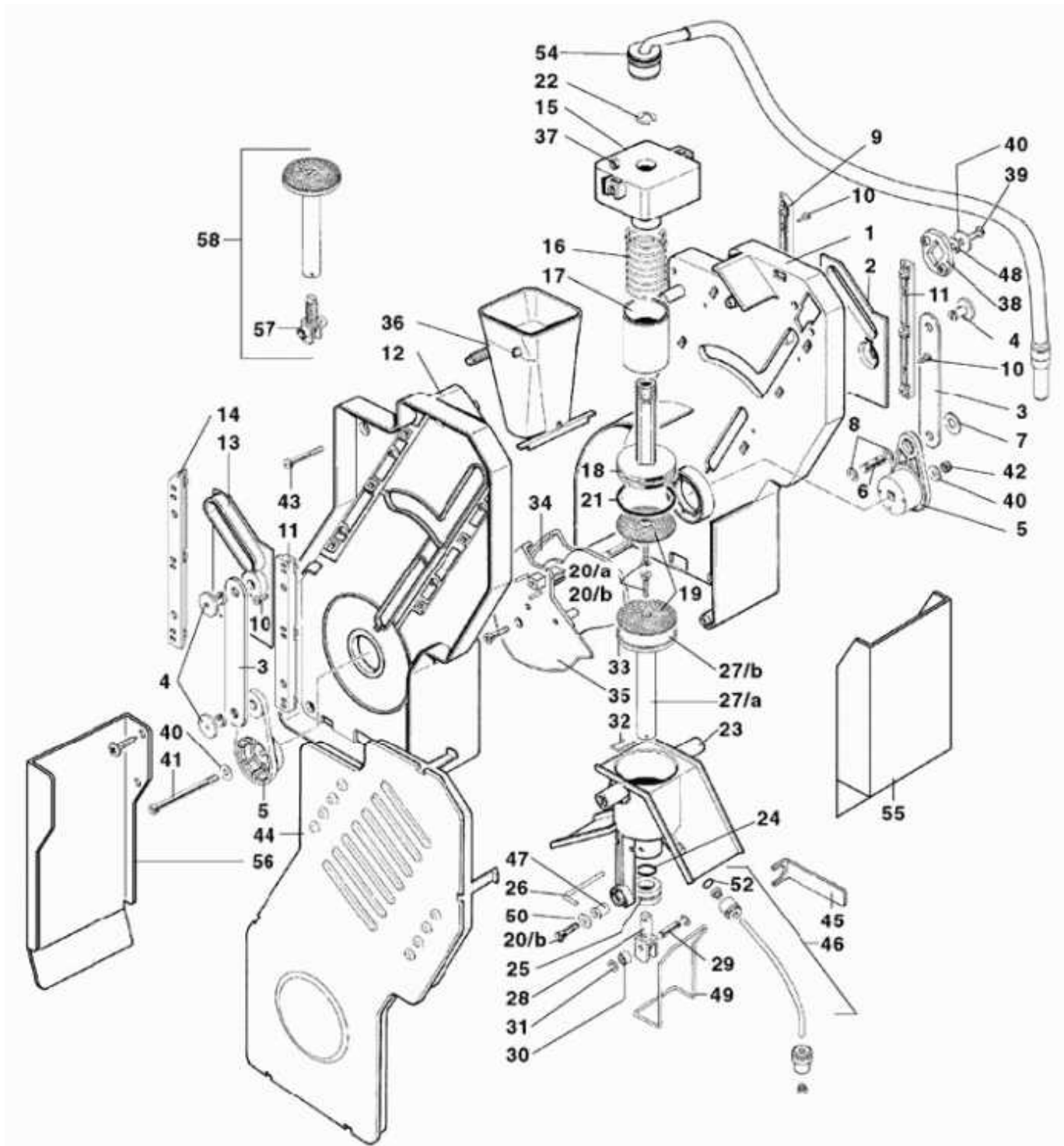
12. MICRO COFFEE GROUP MOTOR SUPPORT



12. MICRO COFFEE GROUP MOTOR SUPPORT

Pos.Nr.	Article description	Article Nr.
1	MICRO GROUP MOTOR SUPPORT	0260010102
2	MICRO GROUP MOTOR	0090002182
3	SCREW TCB M4 x 7	VIT0000030
4	MICRO PLATE	0250008093
5	MICRO SPACER	4600010014
6	MICRO LEVER	ELE0001904
7	1-WAY 16 A 250 V MICROSWITCH	ELE0001522
8	M 3x16 TCB SCREW	VIT0000006
9	M3 FR NUT	VIT0004701
10	MICRO SPACER	0250008091
11	M4 SPECIAL SCREW	0250008092
12	4x25 TCEI SCREW	VIT0005521
13	GROUP READER DISK	0250008043
14	MOTOR CRANK	0250008012
15	HOOKING LEVER	0250008034
16	SPRING FOR HOOKING LEVER	0250008059
17	4 x 40 CYLINDRICAL PIN	VIT0005205
18	4x12 TCEI SCREW	VIT0005508
19	WASHER tab D. 4.3	VIT0003103
20	WASHER D.8 x 4.3 x 0.8	VIT0003003
21	TRAY WITH PIPE SUPPORT	0010022138
22	TRANSPARENT SILICONE PIPE D.7	TSIL07/11T

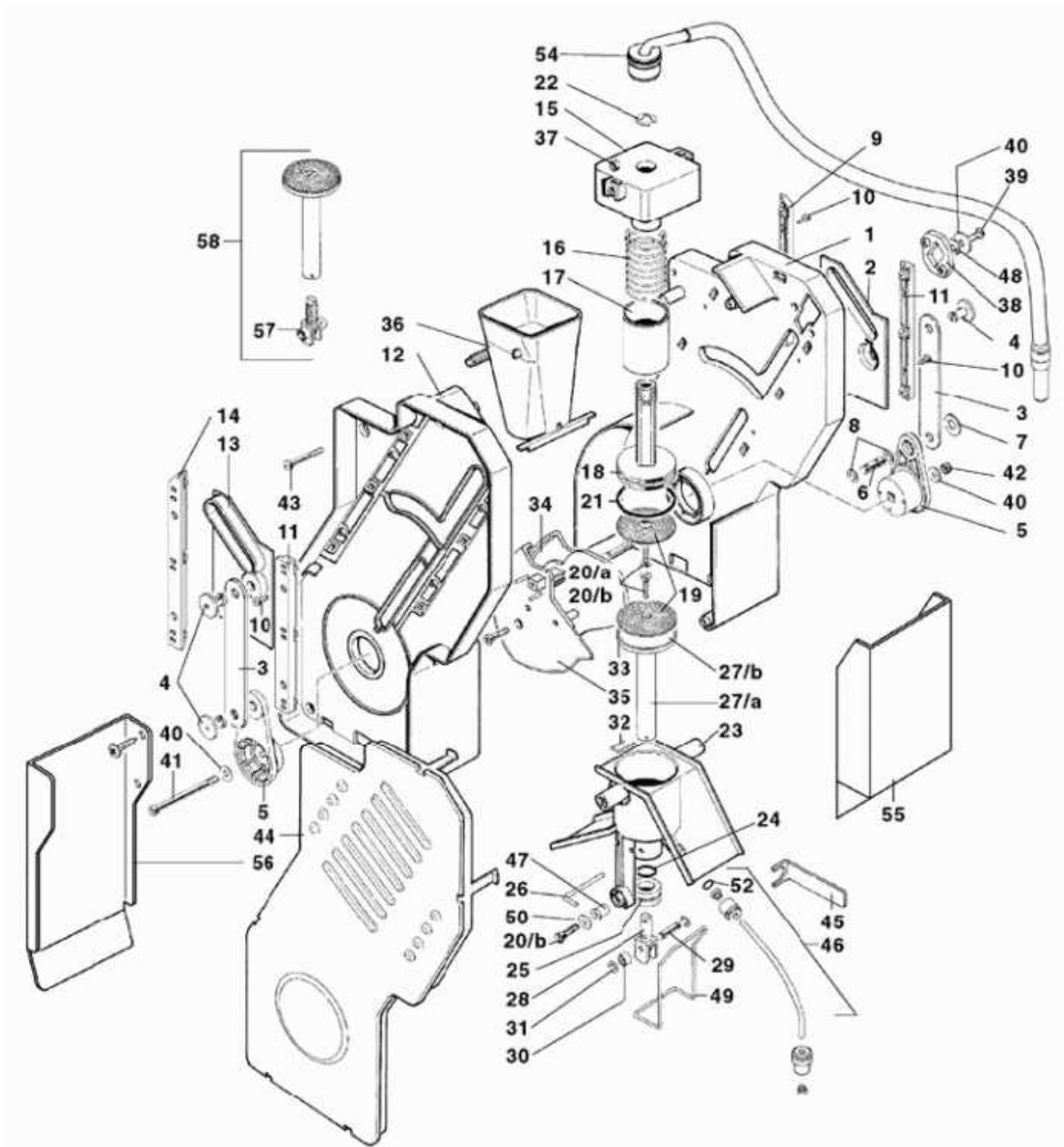
13. MICRO COFFEE GROUP



13. MICRO COFFEE GROUP

Pos.Nr.	Article description	Article Nr.
*	D.36 UPPER FILTER ASSEMBLY	0250008026R
*	D.36 LOWER FILTER MICROBREWER	0250008108R
*	MIKROBRÜHER 7 GRAMM	0250008231R
1	BREWER HOUSING PB cplt.	0250008005R
2	NOCKE BRÜHKAMMER RECHTS	0250008084
3	CONNECTING ROD	0250008009
4	PIN FOR CONNECTING ROD	0250008028
5	R.H. CRANK	0250008011
6	MOTOR CRANK PIN	0250008014
7	ANTIVIBRATION WASHER	0250008042
8	D.5 RADIAL STOP RING	VIT0006515
9	R.H. REAR GUIDE	0250008031
10	TAPPING SCREW T.C.B. 3,5 x 6,5	VIT0002009
11	FRONT GUIDE	0250008033
12	BREWER HOUSING PB cplt.	0250008005r
13	L.H. INFUSION CHAMBER CAM	0250008085
14	L.H. REAR GUIDE	0250008032
15	UPPER FILTER SUPPORT	0250008086
16	UPPER FILTER SPRING	0250008024
17	SPRING COVER PIPE	0250008087
18	D.36 UPPER FILTER ASSEMBLY	0250008026R
19	FILTER	0250008019
20/a	M 3x14 TSP SCREW	VIT0001202
20/b	M 3x8 TSP SCREW	VIT0000121
21	SILICONE 4112 OR	GUA0000080
22	D.8 STAINLESS STEEL INSIDE SEE	VIT0006513
23	INFUSION CHAMBER FOR COFFEE BE	0250008046
24	SILICONE OR 112	GUA0000065
25	LOWER INLET CUP BUSH	0250008053
26	GLASS BUSH PIN	0250008029
27a	D.36 LOWER FILTER MICROBREWER	0250008108R
27b	D.36 LOWER FILTER MICROBREWER	0250008108R
28	LOWER FILTER ROLL SUPPORT	0250008106
29	ROLL SHAFT	0250008021
30	ROLL SHAFT	0250008022
31	D.3.2 RADIAL STOP RING	VIT0006516
32	GLASS BUSH PIN	0250008029
33	FILTER EJECTION CAM	0250008083
34	R.H. FILTER RECOVERY CAM	0250008016
35	L.H. FILTER RECOVERY CAM	0250008017
36	COFFEE CONE	0250008036
37	STAINLESS STEEL NUT M4	VIT0004803
38	SETTING PLATE	0250008035
39	M 4x8 INOX TCB SCREW	VIT0000032
40	4.3x16x1.5 STAINLESS STEEL FLA	VIT0003309
41	4x60 STAINLESS STEEL TCEI SCRE	VIT0005523
42	M 4 SELFLOCKING NUT	VIT0004810
43	SCREW TCCCRT 4,2 x 26	VIT0002461

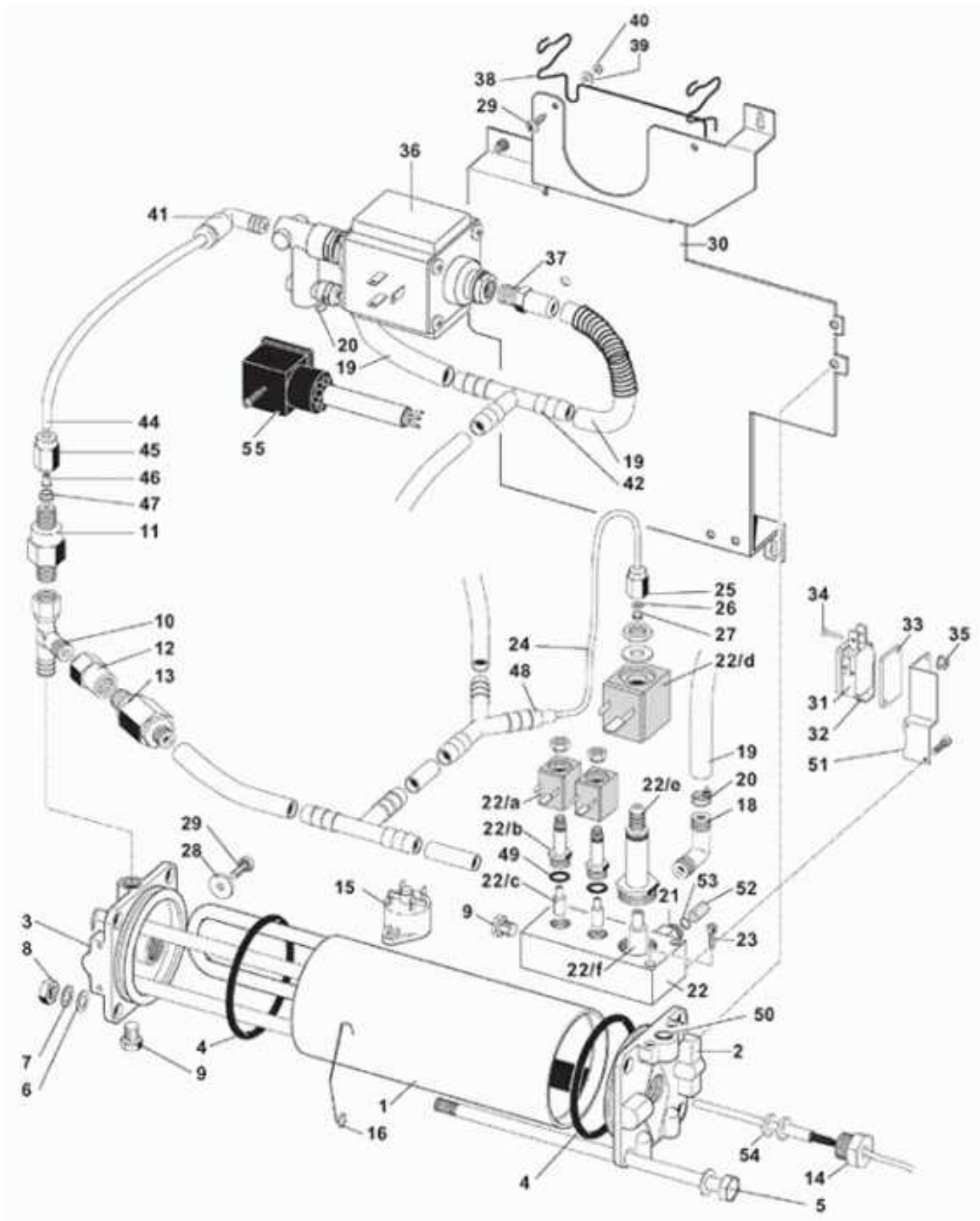
13. MICRO COFFEE GROUP



13. MICRO COFFEE GROUP

Pos.Nr.	Article description	Article Nr.
44	L.H. FRAME COVER FOR COFFEE BE	0250008039CM
45	KEY FOR NUT	0250008048
46	WATER INLET PIPER ASSEMBLY	0250008150CL
47	M 3 CONNECTION FOR THERMOPLAST	VIT0009203
48	GROWER SPRING WASHER	VIT0003451
49	SCRAPER	0250008094
50	WASHER FOR CHAMBER CAM	0250008088
52	2010 VITON OR	GUA0000061
54	COFFEE OUTLET PIPE ASSEMBLY	0250008160CL
55	GROUNDS FEEDER	0010022139
56	COFFEE POWDERS CHUTE	0260010207
57	LOWER FILTER ROLL SUPPORT	0250008107R
58	D.36 LOWER FILTER+ROLL SUPPORT	0250008109R

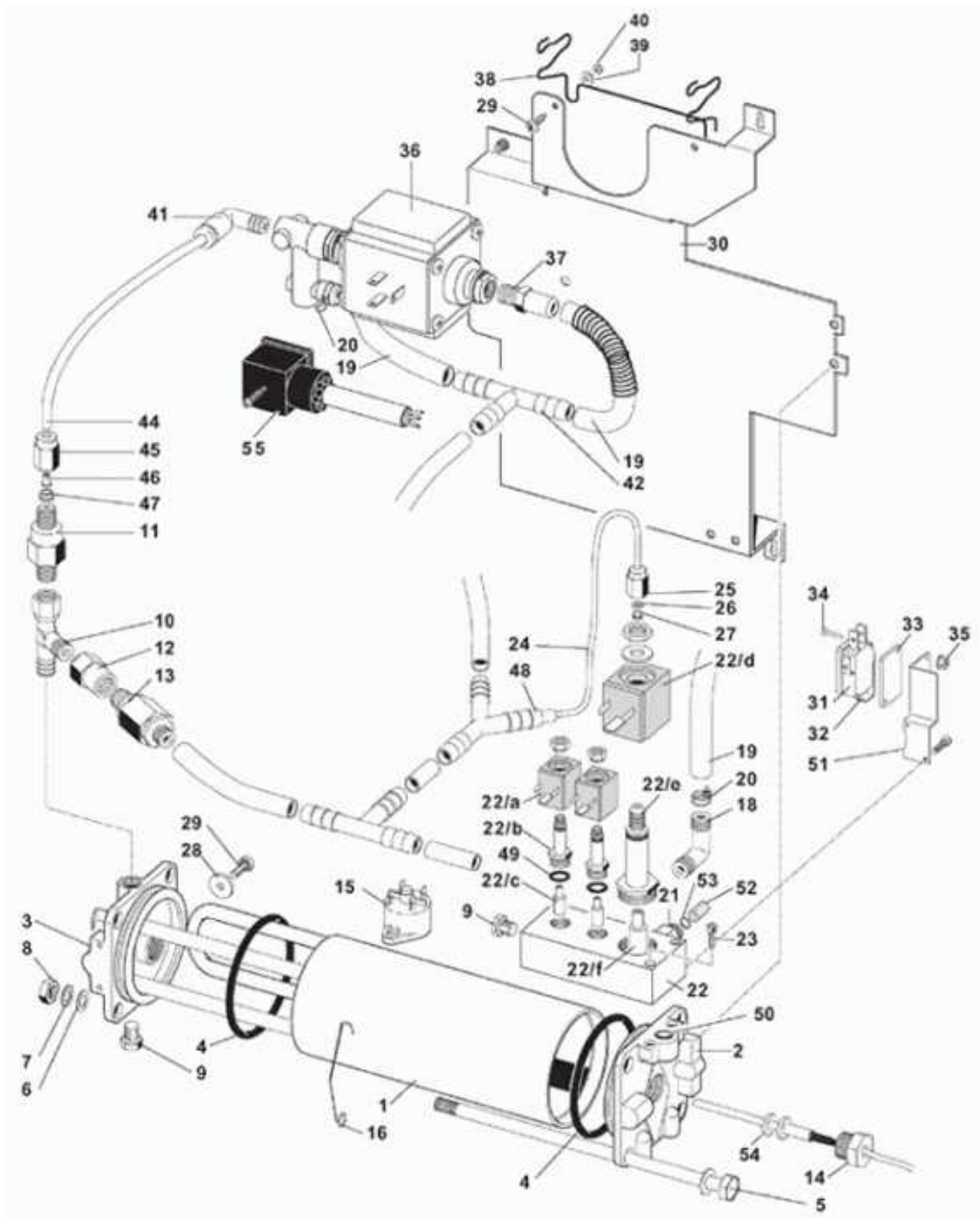
14. Pressure Boiler



14. Pressure Boiler

Pos.Nr.	Article description	Article Nr.
*	mm 150 BOILER (FROM POS.1 TO P	0600012710R
1	JACKET MM 150	0600012514
2	FLANGE FOR VALVE	0600012671
3	FLANGE WITH HEATING ELEMENT	0600012701
4	164 VITON OR	GUA0000047
5	TIE-BOLT MM 177	0600012515
6	D. 8.4x16x1.6 WASHER	VIT0003206
7	D. 8.4 GROWER SPRING WASHER	VIT0003402
8	M 8 NUT	VIT0004506
9	PLUG	4600020115
10	MALE T UNION 1/8-6-6	0100001028
11	1/8F - 1/8M INLET NON-RETURN V	0110002008
12	STRAIGHT CONNECTION 1/8F -1/8	0100001007
13	SAFETY VALVE	0110002009
14	TEMPERATURE PROBE XS/XM PB	ELE0000969R
15	120° CLICSON	ELE0009001
16	SAFETY SWITCH SECURING SPRING	250020087
18	ELBOW CONNECTION	250020146
19	TRANSPARENT SILICONE PIPE D.6	TSIL06/09T
20	PIPES CLIP FOR COFFEE BEANS GR	FASC000101
21	H2O 3-WAY SOLENOID VALVE CONNE	0110003106
22	2 2-WAY VALVE + 1 3-WAY VALVE	0110001087
22a	6W 24 D.C. COIL 70%	0110010062
22b	2-WAY SLEEVE CH 14	0110010123
22c	2-WAY MOBILE CORE ASSEMBLY	0110010124
22d	8W 24 D.C. COIL	0110010065
22e	3-WAY VALVE SLEEVE	0110010035
22f	CORE WITH SPRING FOR 3-WAY VAL	0110010020
23	4x16 TCEI SCREW	VIT0005510
24	PTFE- PIPE 4 X 2 MM	TNAY000501
25	NUT FOR 4-1/8 PIPE FITTING	0100001001
26	D.4 LOCKING RING	0100002001
27	COPPER GASKET	0100003002
28	SYNTHETIC RUBBER D.4.5 SPACER	1600001098
29	SCREW TCB M4 x 7	VIT0000030
30	BOILER SUPPORT	0010020411
31	1-WAY 16 A 250 V MICROSWITCH	ELE0001522
32	BENT MICRO LEVER	0010020412
33	MICRO SPACER	4600010014
34	M 3x16 TCB SCREW	VIT0000006
35	M3 FR NUT	VIT0004701
36	AP PUMP XS/XM/XL FLUIDOTECH	0110004002
37	VALVE RUBBER-HOLDER CONNECTION	2500001139
38	PUMP SUPPORT	0110004020
39	WASHER D.12 x 4.3 x 1.5	VIT0003301
40	NUT M 4	VIT0004503
41	TURNING ELBOW 6-1/4 VITON OR	0100001056
42	TEE UNION	0100003003

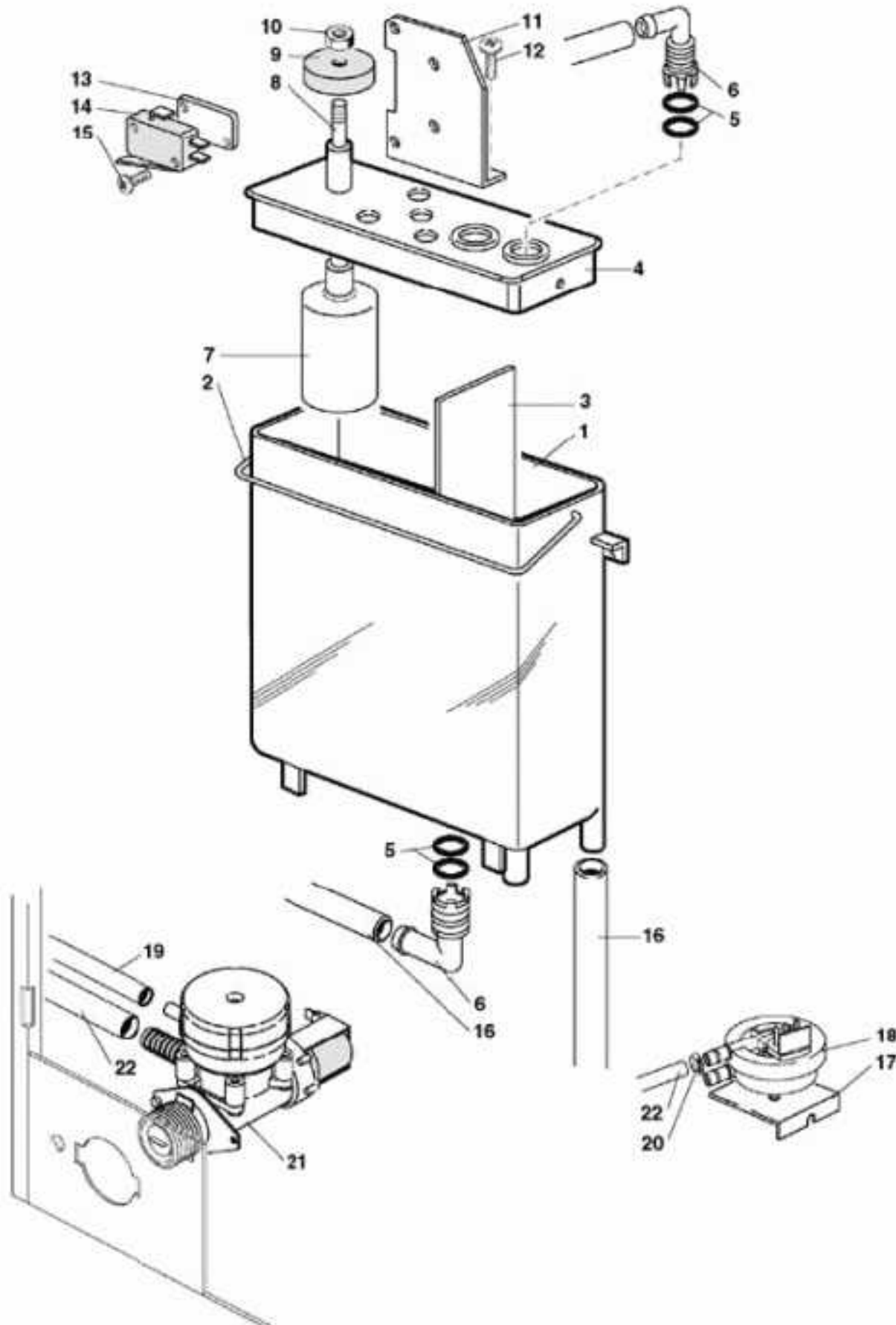
14. Pressure Boiler



14. Pressure Boiler

Pos.Nr.	Article description	Article Nr.
44	PTFE - PIPE 4x6 mm	TTEF04/06T
45	NUT FOR PIPE FITTING D.6	0100001002
46	STRENGTHENING BUSH D.4	0100002005
47	LOCKING RING D.6	0100002002
48	Y FITTING	0100001065
49	OR R 990597/N	0110010111
50	OR R 990002/S	0110010112
51	MICRO SUPPORT	0110003059
52	OR SPACER	0110003057
53	2015 OR	GUA0000069
54	TEFLON RING E 12X4,3X1	GUA0005015
55	PUMP CONNECTOR WITH DIODE	ELE0060094
56	PIPE SPRING	0010020063

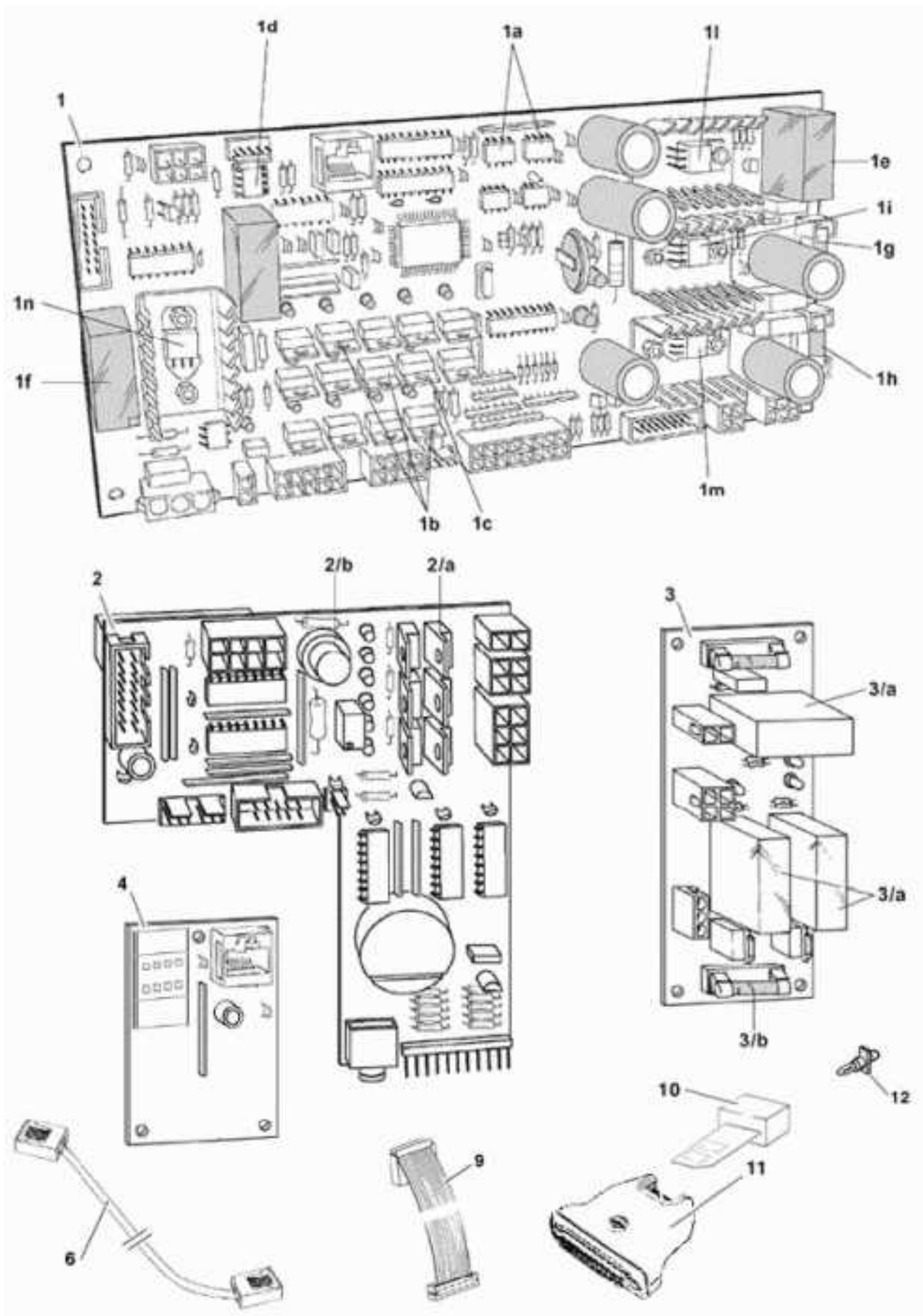
15. WATER INLET PANEL



15. WATER INLET PANEL

Pos.Nr.	Article description	Article Nr.
*	TANK	0010022118CL
1	SOLUBLE TANK BODY	0800009201
2	COVER SECURING RING	800000035
3	TANK INTERNAL WALL	800000010
4	TANK COVER	0800009221
5	OR 109	GUA0000043
6	ELBOW WITH RAPID CONNECTION	0800009211
7	FLOATER	600001065
8	STAINLESS STEEL FLOATER PIN	800000016
9	MICRO FLOATER CONTROL DISK	800000017
10	M 3.5 BRASS NUT	VIT0004812
11	MICRO FLOATER SUPPORT	800000020A
12	TAPPING SCREW TCB 2.9 x 13	VIT0002014
13	MICRO SPACER	4600010014
14	3 A 250 V MICROSWITCH	ELE0001514
15	2.9x 16 TAPPING TCB SCREW	VIT0002012
16	TRANSPARENT SILICONE PIPE D.7	TSIL07/11T
17		0010022120
18	VOLUME COUNTER W/RUBBERHOLDER	0110007003
18a	crimp contact 3.96 mm for Flow	612123
18b	Empty female bush for Flowmete	612081
19	TRANSPARENT SILICONE PIPE D.5	TSIL05/08T
20	PIPES CLIP FOR COFFEE BEANS GR	FASC000101
21	24 DC INLET VALE WITH SAFETY D	0110001086
22	TRANSPARENT SILICONE PIPE D.6	TSIL06/09T

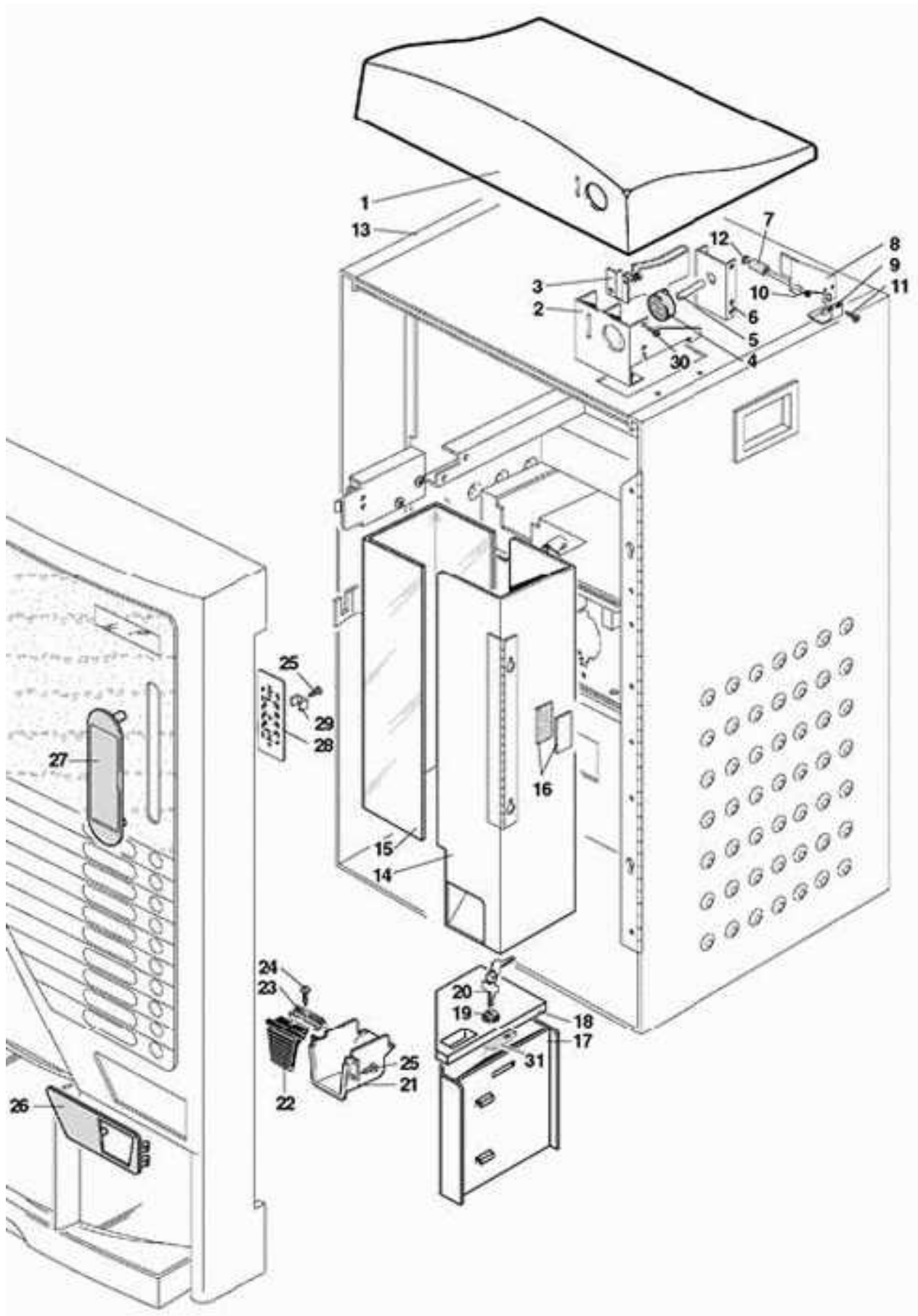
16. CPU



16. CPU

Pos.Nr.	Article description	Article Nr.
*	FLASH CARD SET	500008
1	CPU/ POWER W/HOLDER	SCH0004400
1a	EA RAM 25LC640	ELT0030067
1b	TRANSISTOR VNP14NV04-E ST	ELT0004028
1c	TRANSISTOR BDW93C	ELT0004020
1d	MCT INTEGRATED 6 Q.T.	ELT0030140
1e	2-WAY 24V D.C. 10A RELAY	ELT0007159
1f	1-WAY 24V D.C. 10A RELAY	ELT0007151
1g	5A SLOW-BLOW GLASS FUSE 5x20	ELE0003028
1h	2A RAPID GLASS FUSE 5x20	ELE0003025
1i	TRANSISTOR BTS 141	ELT0004026
1l	INTEGRATED CIRCUIT 7812	ELT0030305
1m	INTEGRATED CIRCUIT 7805	ELT0030301
1n	TRIAC TRIAC 16 A	ELT0004209
1o	OPTOCOUPLER MOC3061	ELT0030273
2	DISPLAY/ACTUATORS XM	SCH0004100
2a	TRANSISTOR BDW93C	ELT0004020
2b	D6 ROUND KEY	ELT0030704
3	XS-E EXPANSION	SCH0003240
3a	1-WAY 24V D.C. 10A RELAY	ELT0007151
3b	5A SLOW-BLOW GLASS FUSE 5x20	ELE0003028
4	Interface Box FlashCard	500007
4	FLASH MEMORY INTERFACE COVER	0020040238
4	FLASH 2004 XM From serial 0518	SCH0006100
6	CPU/POWER CONNECTOR 8LINES PHO	ELT0030564
9	RIBBON CABLE 16P.	ELT0030471
10	RHEA FLASH MEMORY	ELT0030068
11	FLSH CARD READER 24PIN SUB D	ELT0030069R
11	Flashcard Twincard Set 3.5 B	KIT100110
12	BOARD SUPPORT	ELE0062008

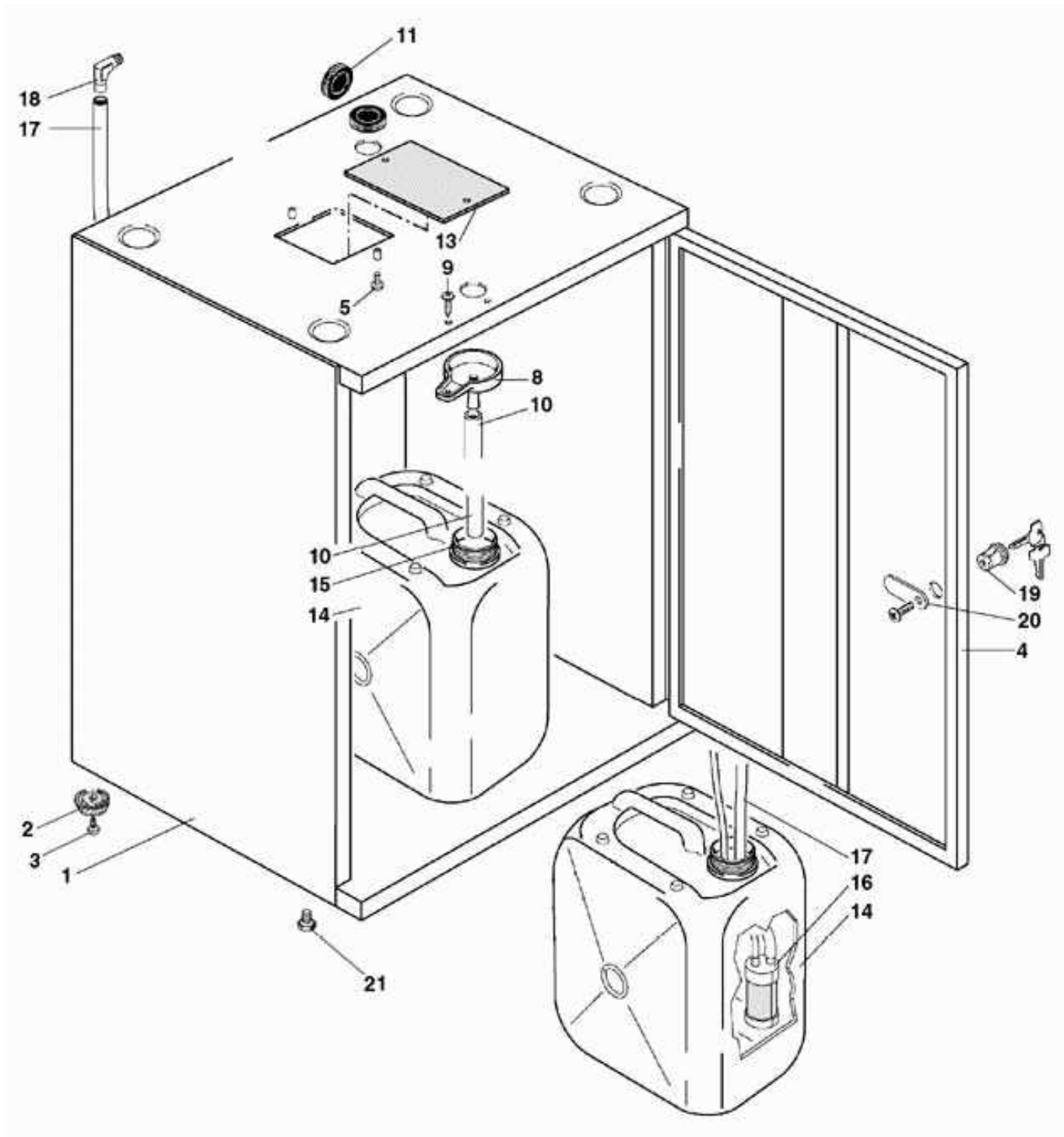
17. Change Giver Kit



17. Change Giver Kit

Pos.Nr.	Article description	Article Nr.
*	COIN BOX COVER ASSEMBLY	0030010060R
1	COIN RETURN INLET SUPPORT	0030010075
2	COIN RETURN SWITCH PIN	0010022146
3	COIN INTRODUCTION CHUTE	0030010073
4	COINS RETURN BLACK PUSH-BUTTON	0020027026NA
5	COIN RETURN SWITCH PIN	0020027027
6	COIN RETURN SWITCH SUPPORT	0030010070
7	SPACER	0030010071
8	COIN RETURN LEVER	0030010067
9	CONTRAST SQUARE	0030010072
10	COIN RETURN LEVER SPRING	0030010081
11	SCREW T.E. M 3 x 8 INOX	VIT0000201
12	BENZING-QUICKLOCK	VIT0007102
13	COVER FORCOIN BOX	0030010063
14	COIN BOX SUPPORT ASSEMBLY	0010022140
15	COIN BOX PROTECTION	0030010056
16	DUAL LOCK H-25 MM. FIXATION	0030010055
17	COIN BOX XM	0030010052
17	COIN BOX XM	0010022154cl
17	COIN BOX COMPLETE XM	0030010052cl
18	COIN BOX COVER ASSEMBLY	0010022150r
18	XM COIN BOX COVER COMPLETE	0030010051R
19	LOCK 154 BOX 5 DT mm 20 RAPID	SER0000020
20	KEY G 3425	SER0000344
21	COINS RETURN TRAY	0020040231
22	COIN RETURN HATCH	0020040214
23	COINS RETURN HATCH COUNTER-WIG	0020027052
24	TAPPING SCREW TCB 3.5 x 9.5	VIT0002401
25	TAPPING SCREW TCB 3.5 x 12	VIT0002452
26	HATCH DOOR FRONT COVER	0020040234
27	KEY TAB	0020040236
28	LOCK PLATE	0020040237
29	SECURING CONNECTION	4600010012
30	TAPPING SCREW T.C.B. 3,5 x 6,5	VIT0002009
31	LOCK BRACKET	SER0001005

18. BASE / Aquamodule



18. BASE / Aquamodule

Pos.Nr.	Article description	Article Nr.
*	CINO Aqua-Modul + Canister 20L	100501
*	IMMERSION PUMP KIT	100520
1	Base cabinet XM black	100497
1	Base cabinet XM silver	100492
2	PLASTIC FOOT	GUA0011001
3	TAPPING SCREW TCB 3.5 x 9.5	VIT0002401
4		0010022208
5	M 4 x 10 SCREW	VIT0007008
8	COFFEE GROUP GROUNDS CHUTE	0010022123
9	QUICK-THREAD SCREW 3.5 x 20	VIT0002455
10	D.10x14 NATURAL TRANSPARENT SI	TSIL14/20T
11	MEMBRANE CORE HITCH Ø 21	GUA0010502
13		0010020347
14	20 LT. CANISTER	CON0000304
15	CANISTER COVER for 20L CANISTE	CON0000305
16	IMMERSION PUMP KIT	100520
16	PUMP AQUAMODULE 24V/DC	0013657900
16	CINO Aqua-Modul + Canister 20L	100501
17	TRANSPARENT SILICONE PIPE D.7	TSIL07/11T
18	TGV PUMP ELBOW	0100003013
19	BOX 5 RAPID EXTENSION LOCK	SER0000010
20	LOCK BRACKET	SER0001005
21	SCREW TE M8x25	VIT0000215

FAX – Order

**servomat
steigler**

for Spare parts

to
servomat steigler
Robert-Bosch-Str. 3
89179 Beimerstetten

Date: _____

Page: _____ from: _____

Fax-No.: +49-(0)7348-9566-25 **Customer- No.:**

Did your address change since the last order? yes no

Quantity	Article-Number	Description
_____	_____	_____
_____	_____	_____
_____	_____	_____
_____	_____	_____
_____	_____	_____
_____	_____	_____
_____	_____	_____
_____	_____	_____
_____	_____	_____
_____	_____	_____
_____	_____	_____
_____	_____	_____
_____	_____	_____
_____	_____	_____
_____	_____	_____
_____	_____	_____

Delivery address equal invoice address yes no

If no – Delivery address :

Firmstamp/Date/Signature

Your name: _____
Please write legibly

Your Service and Consulting Partner