



# ● cafe

Cino XM SM

Sparepart book

Release: 31.07.2008

Automatically generated at 15.10.2008

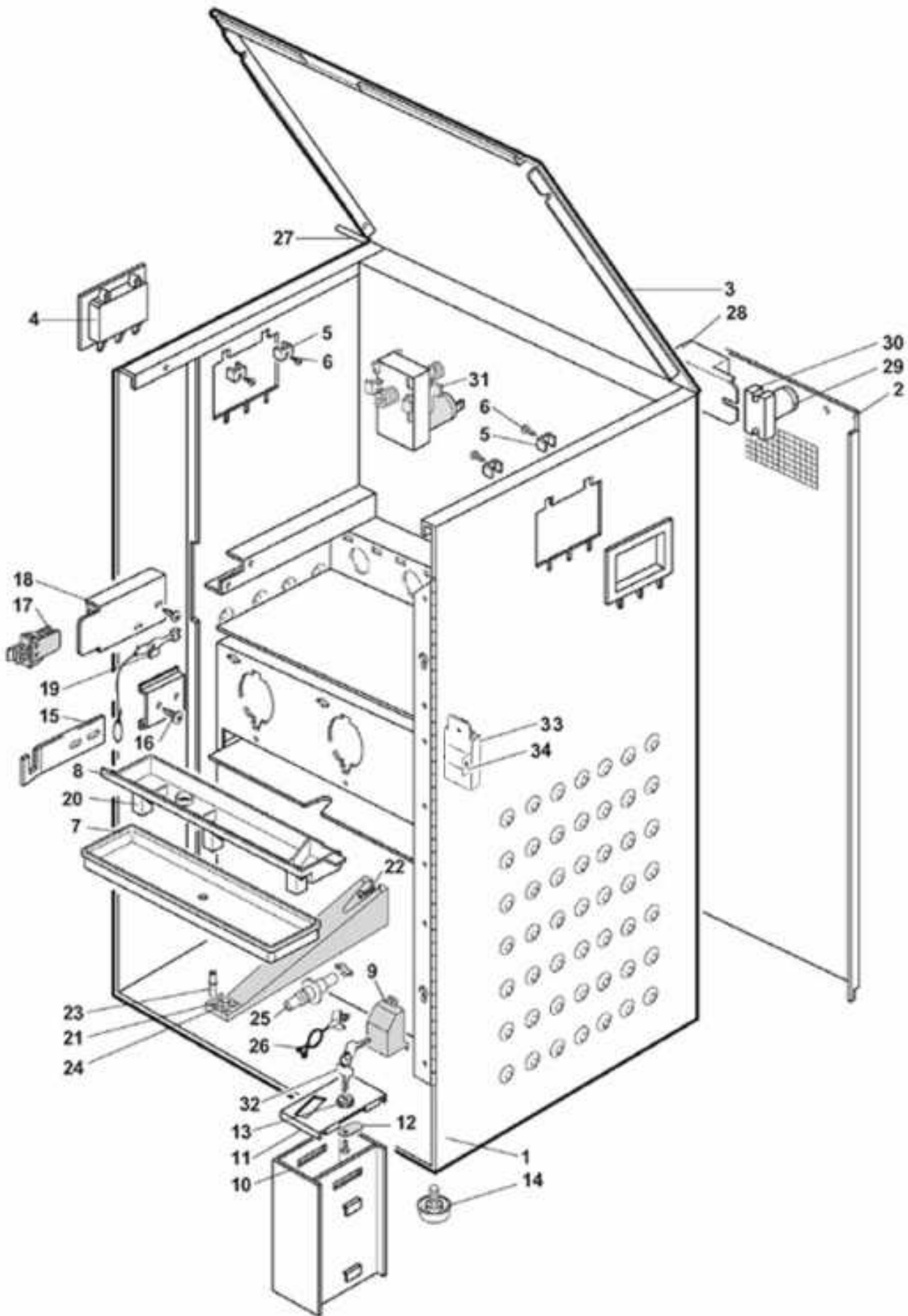




# Table of content

<b>1. cabinet front inside- exploded diagramm</b> .....	1
1. cabinet front inside- Article List .....	2
<b>2. cabinet rear inside- exploded diagramm</b> .....	3
2. cabinet rear inside- Article List .....	4
<b>3. door- exploded diagramm</b> .....	5
3. door- Article List .....	6
<b>4. Cups Loader- exploded diagramm</b> .....	7
4. Cups Loader- Article List .....	8
<b>5. Products Container- exploded diagramm</b> .....	11
5. Products Container- Article List .....	12
<b>6. Mixerbowl/ aqua portioning system- exploded diagramm</b> .....	13
6. Mixerbowl/ aqua portioning system- Article List .....	14
<b>7. Boiler- exploded diagramm</b> .....	15
7. Boiler- Article List .....	16
<b>8. CPU- exploded diagramm</b> .....	17
8. CPU- Article List .....	18
<b>9. Change Giver Kit- exploded diagramm</b> .....	19
9. Change Giver Kit- Article List .....	20
<b>10. Base / Aqua Module- exploded diagramm</b> .....	21
10. Base / Aqua Module- Article List .....	22
<b>Orderfax-Form</b> .....	23

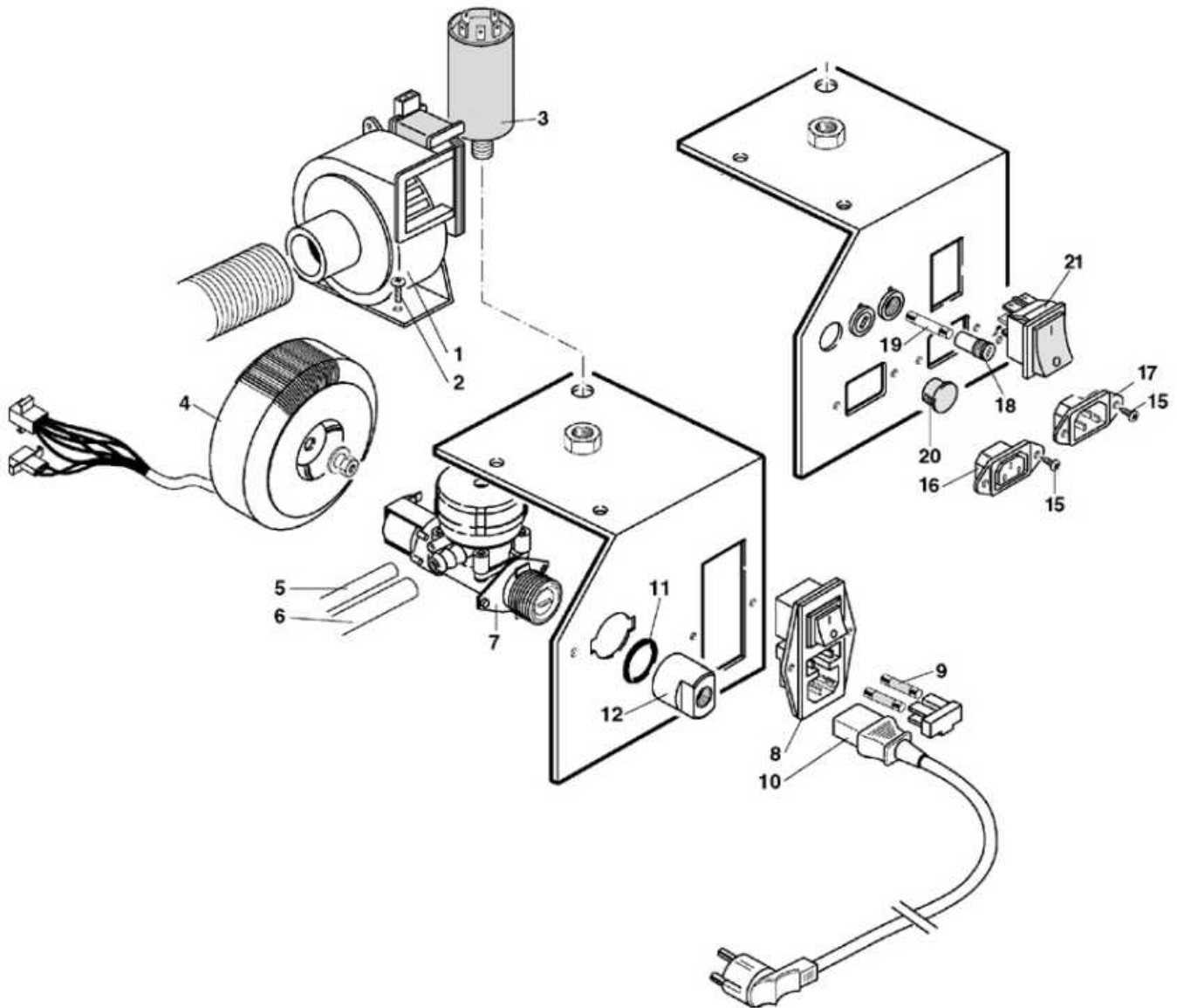
# 1. cabinet front inside



# 1. cabinet front inside

Pos.Nr.	Article description	Article Nr.
*	COIN BOX XM	0010022154CL
1	CABINET XM SM SILVER	0010022271cm
2	SPORTELLO POSTERIORE E/H	0010022275
3	UPPER COVER	0010022117
4	HANDLE	0010020026NA
5	SECURING CONNECTION	4600010012
6	TAPPING SCREW TCB 3.5 x 13	VIT0002004
7	H POWDER COLLECTION TRAY	0010022193
8	2-HOLE EXHAUST DRAWER Up to se	0010020016
9	SUPPORTO CONTATTI VASCHETTA AS	0010022165R
10	COIN BOX XM	0010022154cl
10	COIN BOX COMPLETE XM	0030010052CL
11	COIN BOX COVER ASSEMBLY	0010022150r
11	XM COIN BOX COVER COMPLETE	0030010051R
12	LOCK BRACKET	SER0001005
13	LOCK 154 BOX 5 DT mm 20 RAPID	SER0000020
14	CABINET FEET ASSEMBLY	0010020169
15	LOCK HOOK COUNTERPART	0010022137
16	SCREW TCB M4 x 7	VIT0000030
17	SAFETY SWITCH	ELE0002009
18	SWITCH SUPPORT ASSEMBLY	0010022157
19	SERVICE KEY ASSEMBLY	0270011109CL
20	FEEDER	0010022131
21	PRODUCT PIPES SUPPORT ESTRAIBI	0380011323
22	TAPPING SCREW TCB 3.5 x 9.5	VIT0002401
23	DISPENSER PIPE	0380010657NA
24	BLACK PLUG	0380010656NA
25	MIXER CONNECTION	0080100013
26	LOCK	FASC000302
27	SHAFT UPPER COVER	0010022124
28	220 V BALLAST	ELE0009116
29	STARTER	ELE0009109
30	L 8 W 20 LAMP	ELE0009108
31	MR NCJM2480-X 24VDC	0090002113
32	KEY G 3425	SER0000344
33	FLASH MEMORY INTERFACE COVER	0020040238
34	MOUNTING INTERFACE FLASH CARD	0020040240

## 2. cabinet rear inside

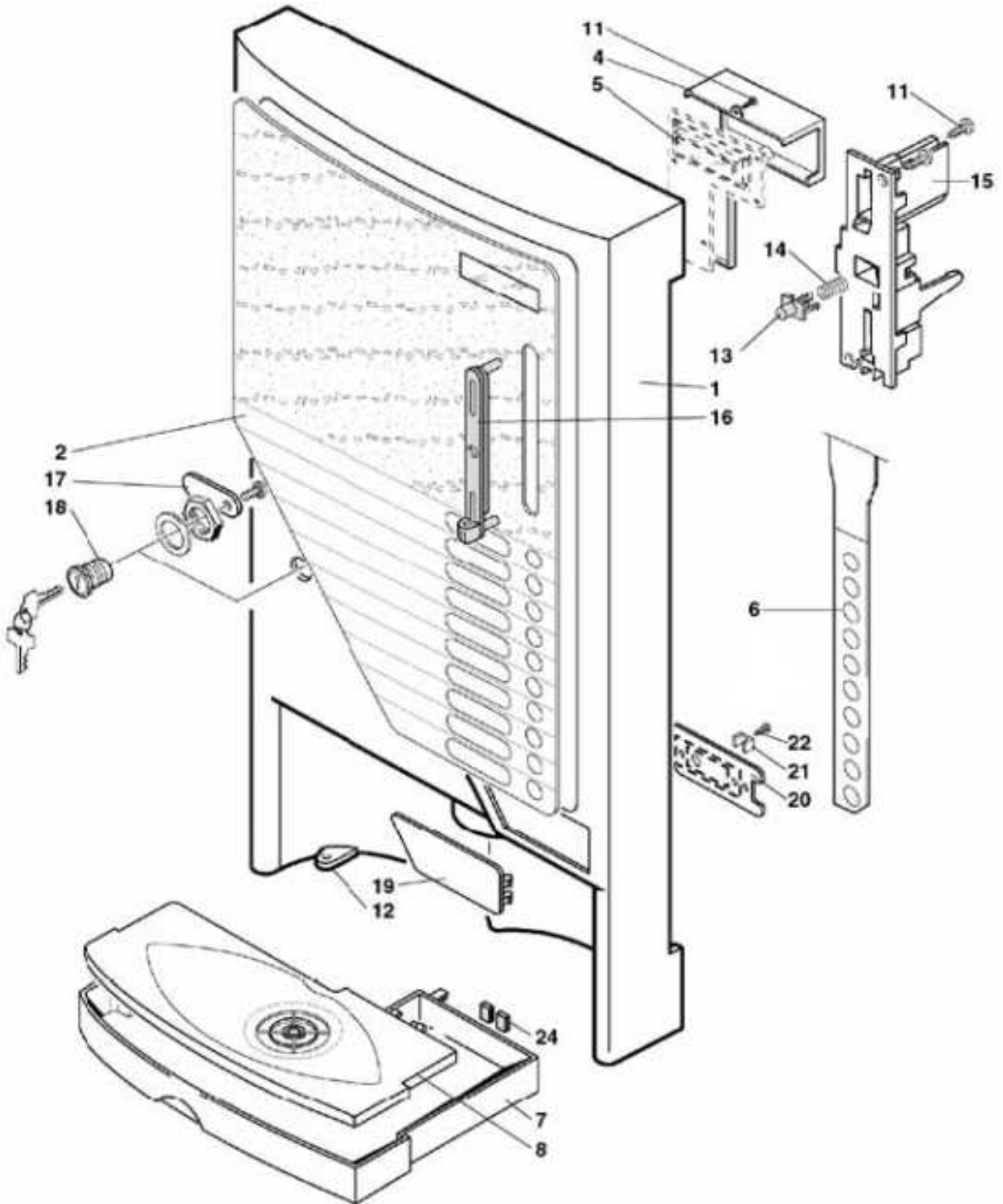


## 2. cabinet rear inside

---

Pos.Nr.	Article description	Article Nr.
1	CENTRIFUGAL EXHAUSTER	ELE0000459
2	M 4x12 TCB SCREW	VIT0000013
3	ANTIPARASITIC FILTER 250V 10A 0.47yF	ELE0009055
4	TOROIDAL TRANSFORMER 230V	ELE0000555CL
5	TRANSPARENT SILICONE PIPE D.5	TSIL05/08T
6	TRANSPARENT SILICONE PIPE D.7	TSIL07/11T
7	EV.DIS.SICUR.800.150 MOD.24VDC	0110001058
8	POWER SWITCH MODULE	ELE0002309
9	5A SLOW-BLOW GLASS FUSE 5x20	ELE0003028
10	POWER LEAD 3 x 1 SOCKET AND SC	ELE0055008
11	OR 130 JUST FOR MAIN WATER SUP	GUA0000021
12	3/8 GAS M WATER INLET VALVE CO	0810010558
15	TAPPING SCREW T.C.B. 3,5 x 6,5	VIT0002009
16	IEC 10A 250V SOCKET	ELE0002312
17	IEC 15A 250V SOCKET	ELE0002310
18	FUSES HOLDER	ELE0003507
19	SLOW-BLOW CERAMIC TYPE 6.3A FU	ELE0003024
20	RELEASE PLUG	GUA0011010
21	15A 250V ON/OFF UL/CSA BIPOLAR	ELE0002014
22	Fuse mounting drawer for Cino	500055
23	EXTERNAL WRINKLED PIPE XS/XM/XL/ECO	teol000002

### 3. door



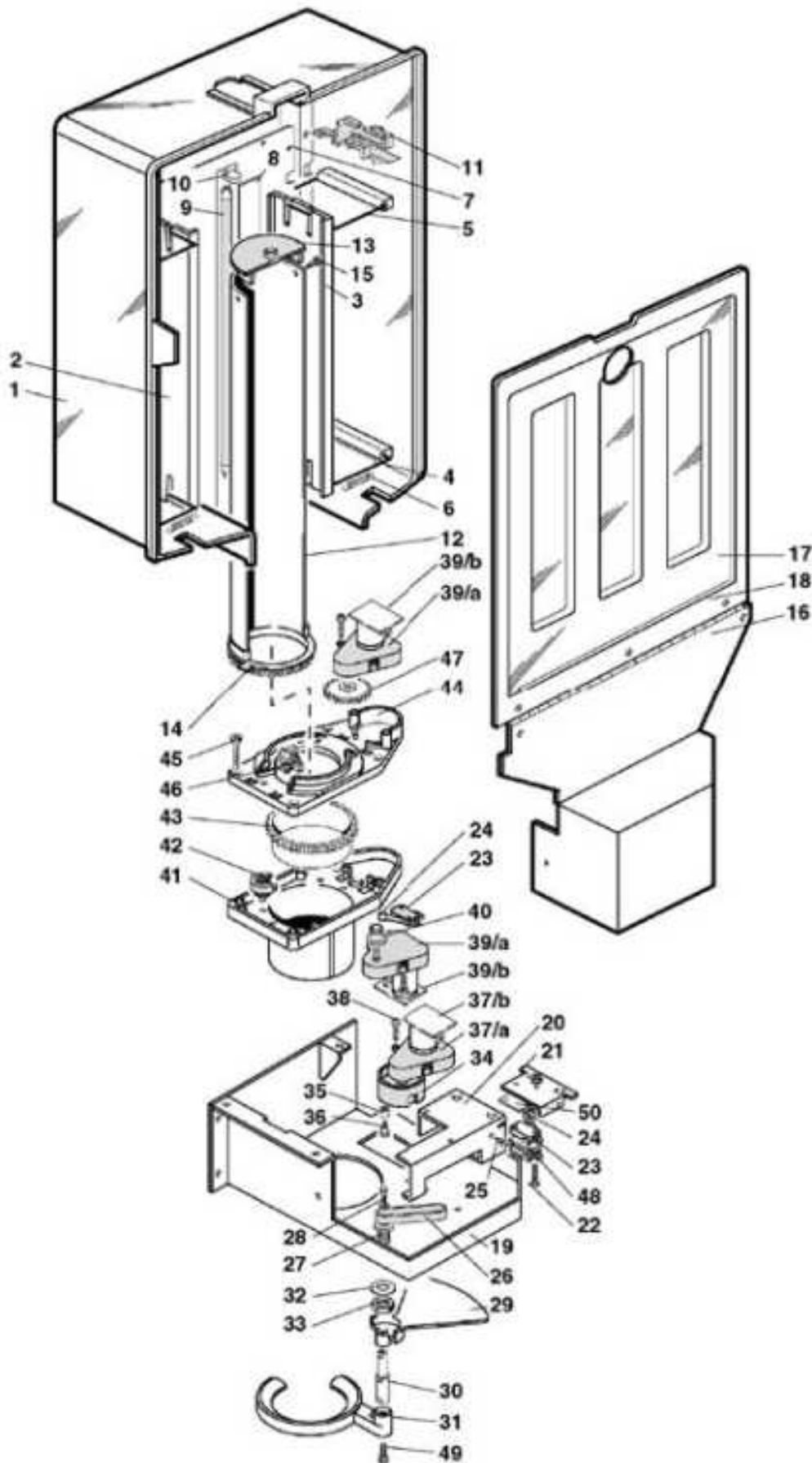


**3. door**

---

<b>Pos.Nr.</b>	<b>Article description</b>	<b>Article Nr.</b>
1	XM COMPLETE DOOR BLACK	0020040204
2	FRONT PANEL XM SM	0020040243
4	DISPLAY COVER	0020040226
5	DISPLAY/ACTUATORS XM	SCH0004100
6	KEYBORD	0020040215
7	WATER TRAY	0020040206
8	WATER COLLECTION TRAY GRATE	0020040207
13	RED COIN RETURN BUTTON 3020	0020035033KA
14	COIN RETURN BUTTON SPRING	0020035034
15	COIN BOX SUPPORT	0020035032NA
16	BLACK COIN BOX TAB	0020035031NA
17	LOCK HOOK	0020040212
18	BOX 5 20 mm LOCK	SER0000001
19	DOOR FRONT COVER	0020040233
20	FRONT COVER SECURING PLATE	0020040232
21	SECURING CONNECTION	4600010012
22	TAPPING SCREW TCB 3.5 x 9.5	VIT0002401
24	H2O TRAY CONTACT	0020040213

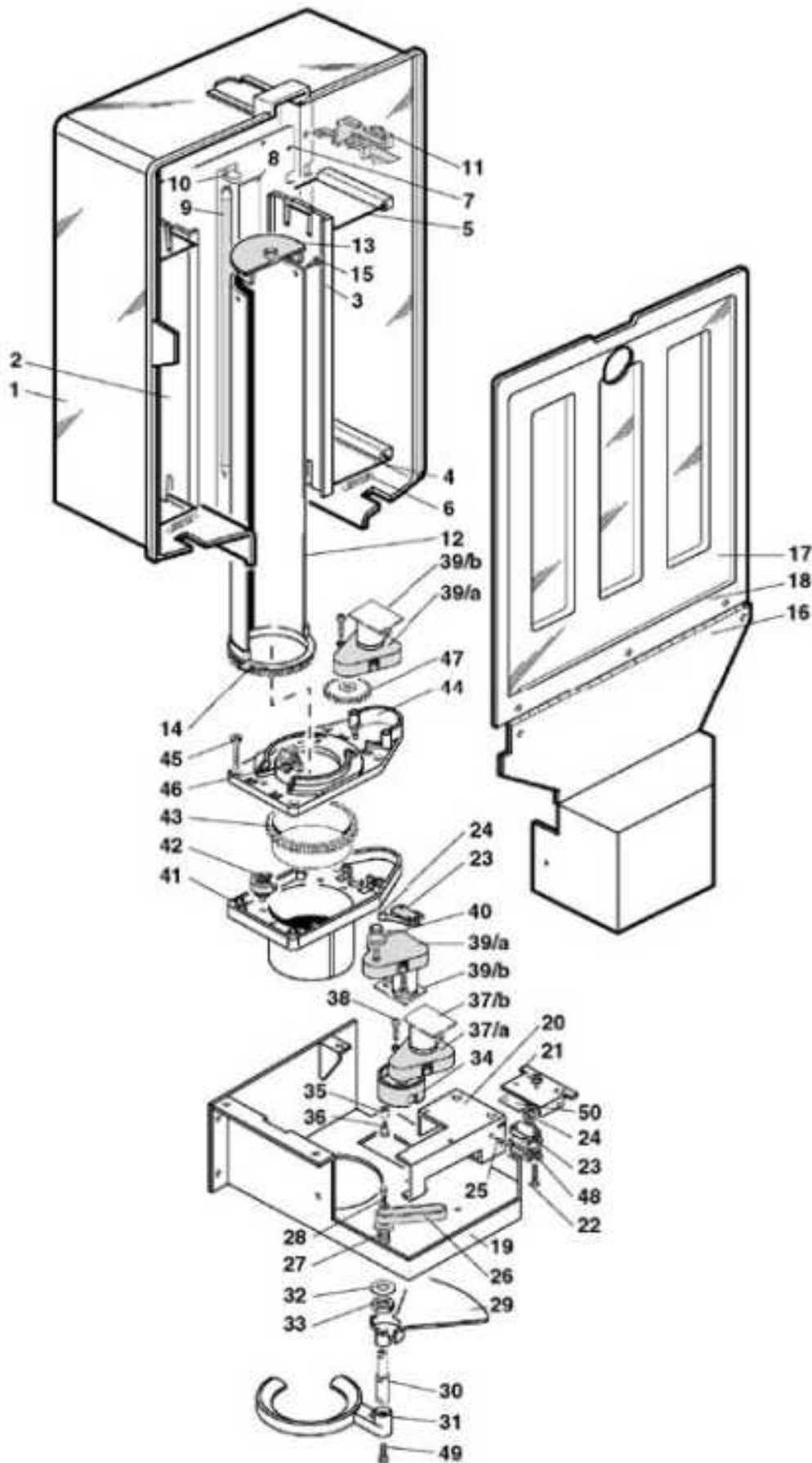
# 4. Cups Loader



## 4. Cups Loader

Pos.Nr.	Article description	Article Nr.
1	CUPS LOADER	0020040205
2	LOADER SHORT WALL	0180005009
3	R.H. WALL ASSEMBLY	0180005013
4		0180012224
5		0180001226
6	LOADER WALL SUPPORT SPRING	0180005011
7		0020040211
8		0020040219
9	FLUORESCENT TUBE 8W	ELE0009018
10	BIPLUG G 13 LAMP HOLDER	ELE0009107
11	COVER HOOK	0020040209
12	CENTRAL COLUMN	0180012227
13	CENTRAL COLUMN GUIDE	0180005007
14	CENTRAL COLUMN RING NUT	0180005026NA
15	TAPPING SCREW TCB 3.5 x 9.5	VIT0002401
16		0180012219
17	LOADER COVER	0180012222
18	3 x 6 ALUMINIUM RIVET	VIT0007021
19		0180012208
20		0180012207
21		0180012209
22	TAPPING SCREW T.C.B. 3,5 x 6,5	VIT0002009
23	1-WAY 16 A 250 V MICROSWITCH	ELE0001522
24	161 E R 24.1 MICRO LEVER	ELE0001906
25	2.9x 9.5 TAPPING TCB SCREW	VIT0002011
26	FORK MOVEMENT PROFILE	0180012211
27	BUSH	0180012216
28	SCREW M5 x 8	VIT0000016
29	CUP STOP	0180012214
30	FORK SHAFT	0180012212
31	CUP SUPPORT FORK	0180012217
32	5.3x10x1 WASHER	VIT0003004
33	M 4 NUT	VIT0004504
34	FORK CAM	0180012206
35	CONTROL CONNECTING ROD ROLL	0200001011
36	ROLL PIN	0200001012
37a	MT.G70.C2.BL.EH.00 24V DC	0090002514
37b	DC MOTORS FILTER	SCH0003740
38	M 3x10 TCB SCREW	VIT0000004
39a	24 V DC 10 ROM GEAR MOTOR HEXA	0090002512
39a	24 V DC 10 ROM GEAR MOTOR HEXA	0090002512R
39b	DC MOTORS FILTER	SCH0003740
40	FGEAR MOTOR PINION	0190006007
41	CUPS LOADER LOWER PLATE	0190006003
42	CAM WITH PINION	0190006005/L
43	Z 66 RING NUT	0190006004
44	CUPS LOADER UPPER PLATE	0190006002
45	M 5x35 TCB SCREW	VIT0000019

# 4. Cups Loader

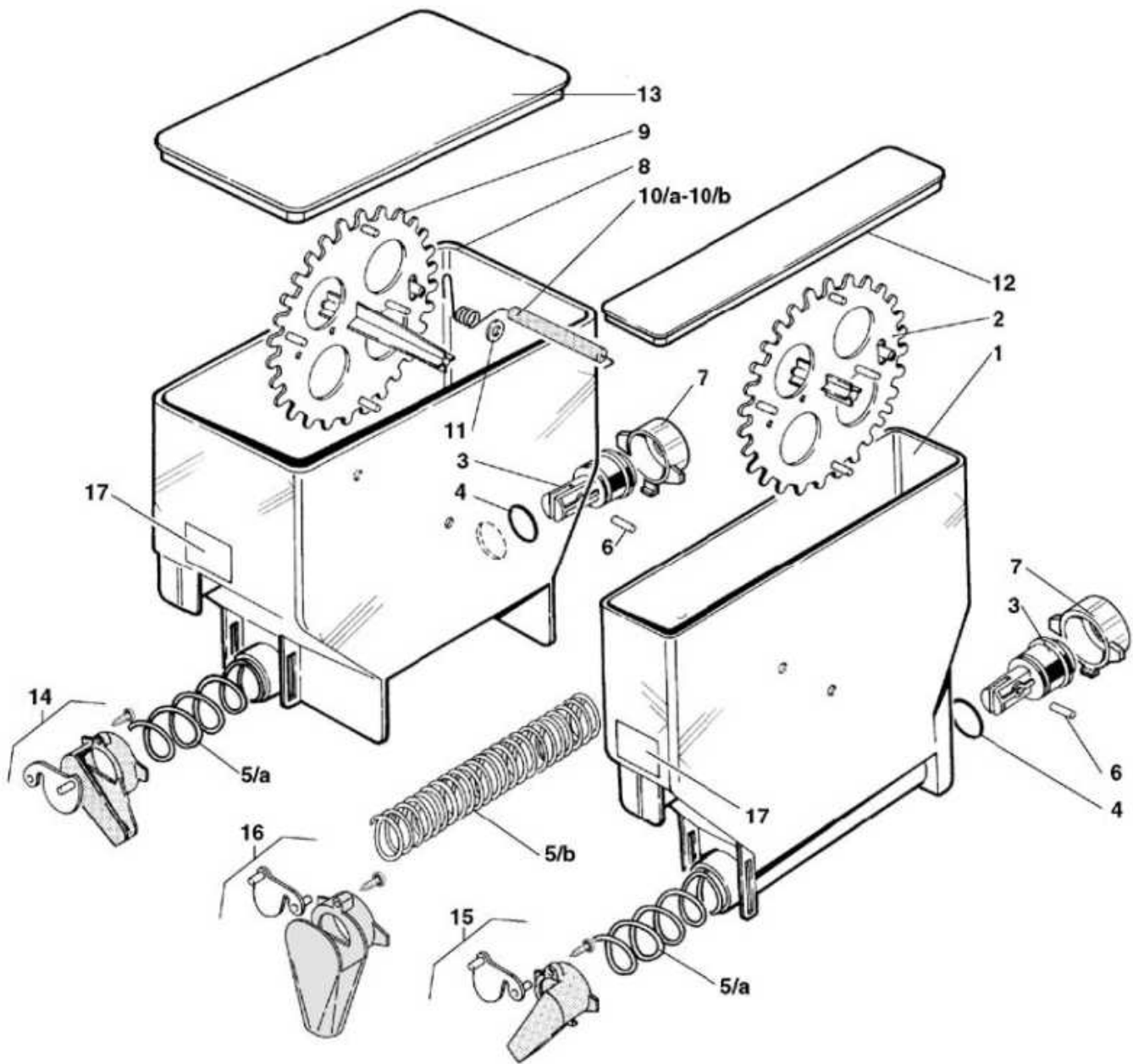


## 4. Cups Loader

---

<b>Pos.Nr.</b>	<b>Article description</b>	<b>Article Nr.</b>
46	CUP SENSOR CABLE +COLUMN SENSO	CBL0900202
46	CUP DETECTOR	SCH0003460
47	Z.30 PINION	0180005004
48	SUPPLEMENTARY INSULATION	7500902054
49	GROUP SECURING SCREW	4003502021
50	MICRO SPACER	4600010014

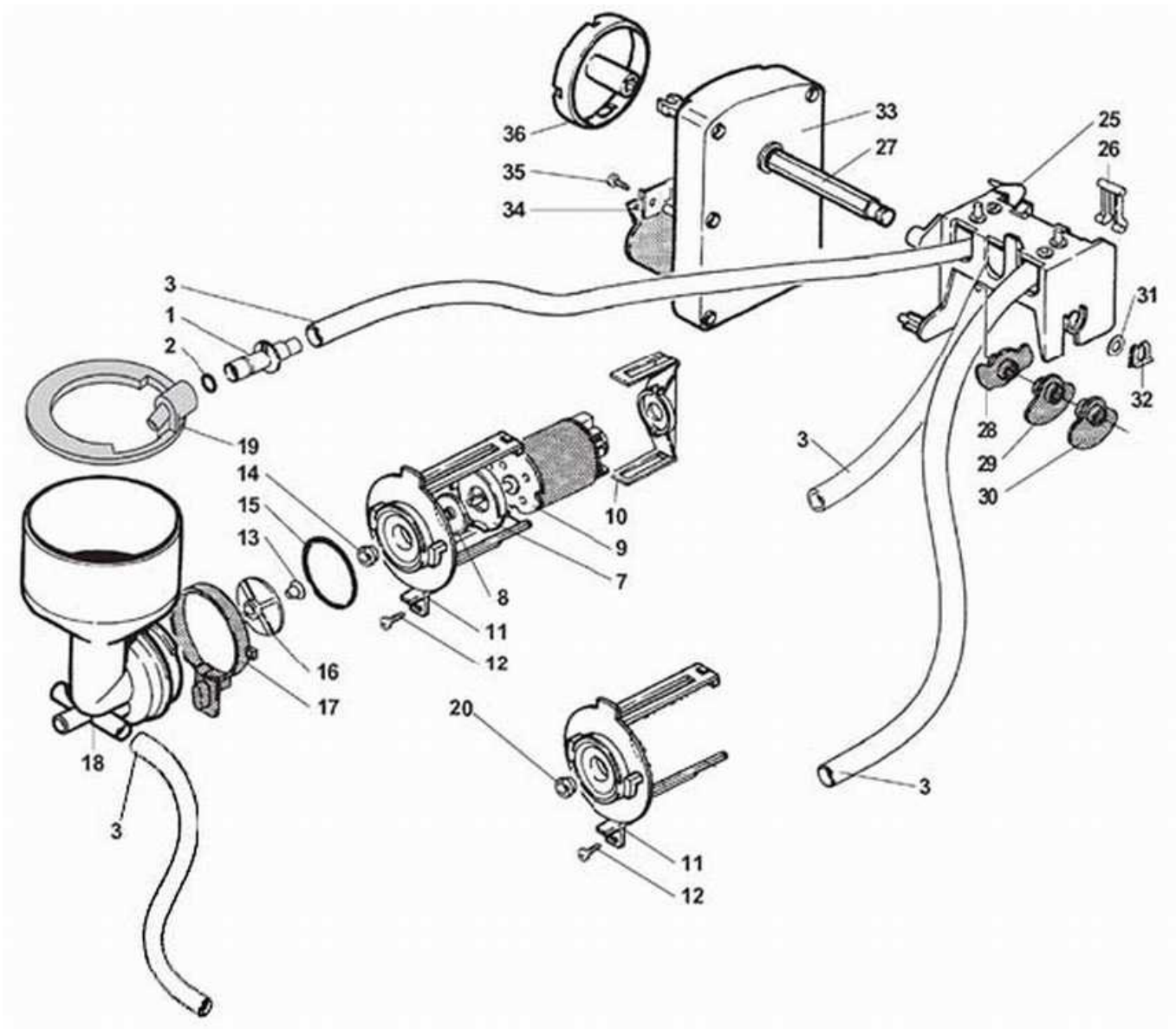
# 5. Products Container



## 5. Products Container

Pos.Nr.	Article description	Article Nr.
*	CONT. PROD. SMALL 54mm VSF18 C	0230030250R
*	SMALL PRODUCT CONT.H265 WORM S	0230030254R
*	LARGE PRODUCT CONT.H265 WORM S	0230030172R
*	SMALL PRODUCT CONT.H265 WORM S	0230030173R
*	LARGE PRODUCT CONT.H265 WORM S	0230030174R
*	CONT. PROD. GRANDE H 265	0230030175R
*	CONT. PROD. SMALL 54mm VSF18 C	0230030250R
*	SMALL PRODUCT CONT.H265 WORM S	0230030254R
1	PLASTIC INGREDIENT CONTAINER h	0230030234
1	PLASTIC INGREDIENT CONTAINER h	0230030234
2	MIXER GEAR ORANGE RAL 2011	0230030016
3	WORM SCREW PIN	0230030012
4	OR 123	GUA0000083
5a	WORM SCREW P.18	0230030014
5b	WORM SCREW P. 9	0230030013
6	ELASTIC PIN D.2 x 14	VIT0005301
7	REAR BUSH	0230030011
8	PLASTIC INGREDIENT CONTAINER h	0230030234
8	PLASTIC INGREDIENT CONTAINER h	0230030234
9	MIXER GEAR mm.110 ORANGE RAL 2	0230030015
10/a	INGREDIENT MIXER 112 mm. R.H.	0230030041
10/a	INGREDIENT MIXER 112 mm. L.H.	0230030042
11	STAINLESS STEEL FLAT WASHER D.	VIT0003210
12	CONTAINER COVER 54 mm. From se	0230030156
13	CONTAINER COVER 110 mm. From s	0230030158
14	RIGHT CONVEYOR INGREDIENT	0230030184R
14	RIGHT CONVEYOR INGREDIENT	0230030187R
15	LEFT CONVEYOR INGREDIENT	0230030186R
15	LEFT CONVEYOR INGREDIENT	0230030183R
16	CONVEYOR INGREDIENT	0230030185R
17	SHOKO I-F-D- LABEL	1010150006
17	SOUP I-F-D- LABEL	1010150005
17	TEA I-F-D- LABEL	1010150004
17	MILK I-F-D- LABEL	1010150003
17	COFFEE I-F-D- LABEL	1010150002
17	SUGAR I-F-D- LABEL	1010150001

## 6. Mixerbowl/ aqua portioning system



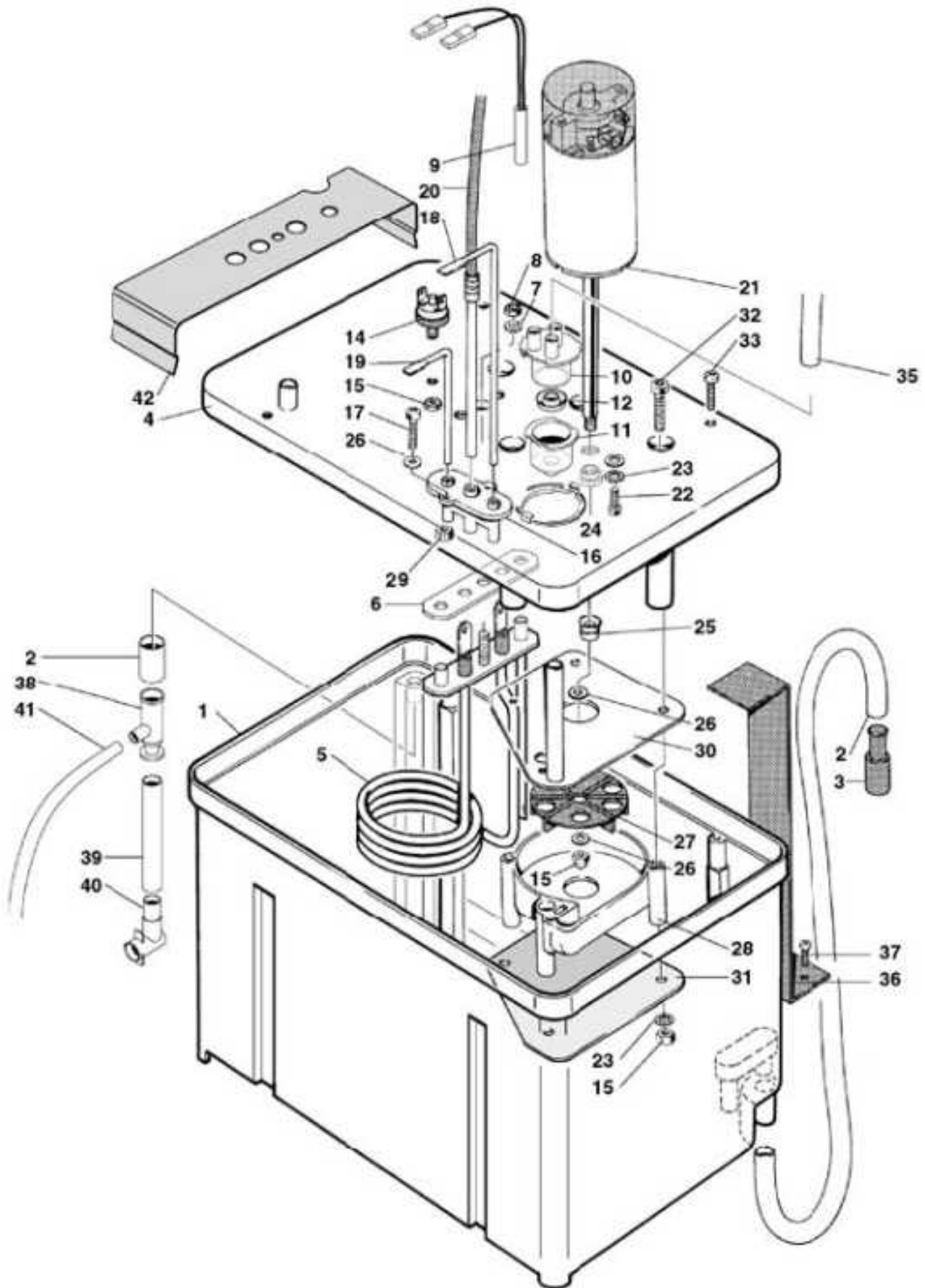


## 6. Mixerbowl/ aqua portioning system

---

Pos.Nr.	Article description	Article Nr.
*	MIXER BASE+MOTOR ASSEMBLY assi	0080100001R
*	AQUA PORTIONING SYSTEM CPLT.	0110030001R
1	SHORT MIXER INSERT	0080100043
2	SILICONE OR 106	GUA0000085
3	TRANSPARENT SILICONE PIPE D.6	TSIL06/09T
7	MIXER COVER ORANGE RAL 2011	0080100023
8	DRIP TRAP FAN	0080100024
9	24 V DC MIXER MOTOR SHAFT D.4	0090003023
10	MOTOR HOUSING CONNECTION ORANG	0080100009
11	MIXER BASE	0080100005
12	TAPPING SCREW TCB 3.5 x 9.5	VIT0002401
13	MIXER SHAFT GASKET (V-RING)	0080100014
14	MIXER BASE BUSH	0080100015
15	OR 3131	GUA0000084
16	SMALL FAN MIXER SHAFT D.4	0080100011
17	STOPPER RING ORANGE RAL 2011	0080100006
18	MIXER BODY NO INLET	0080100041
19	MIXER TRAP WITH INLET	0080100042
20	MIXER BASE PLUG	0080100018
25	CAM SUPPORT	0110030005
26	CLOSING LEVER	0110030013
27	SHAFT FOR CAMS	0110030006
28	CAM 2	0110030008
29	CAM 3	0110030009
30	CAM 1	0110030007
31	WASHER D.8 x 14 x 0,5	VIT0003010
32	STOP CLIP D.8	VIT0009162
33	24V D.C. GEAR MOTOR 24 R.P.M.	0090002109
34	CAM PIPE SENSOR	SCH0002680
35	TAPPING SCREW TCB 3.5 x 12	VIT0002452
36	POSITION DISK	0110030015

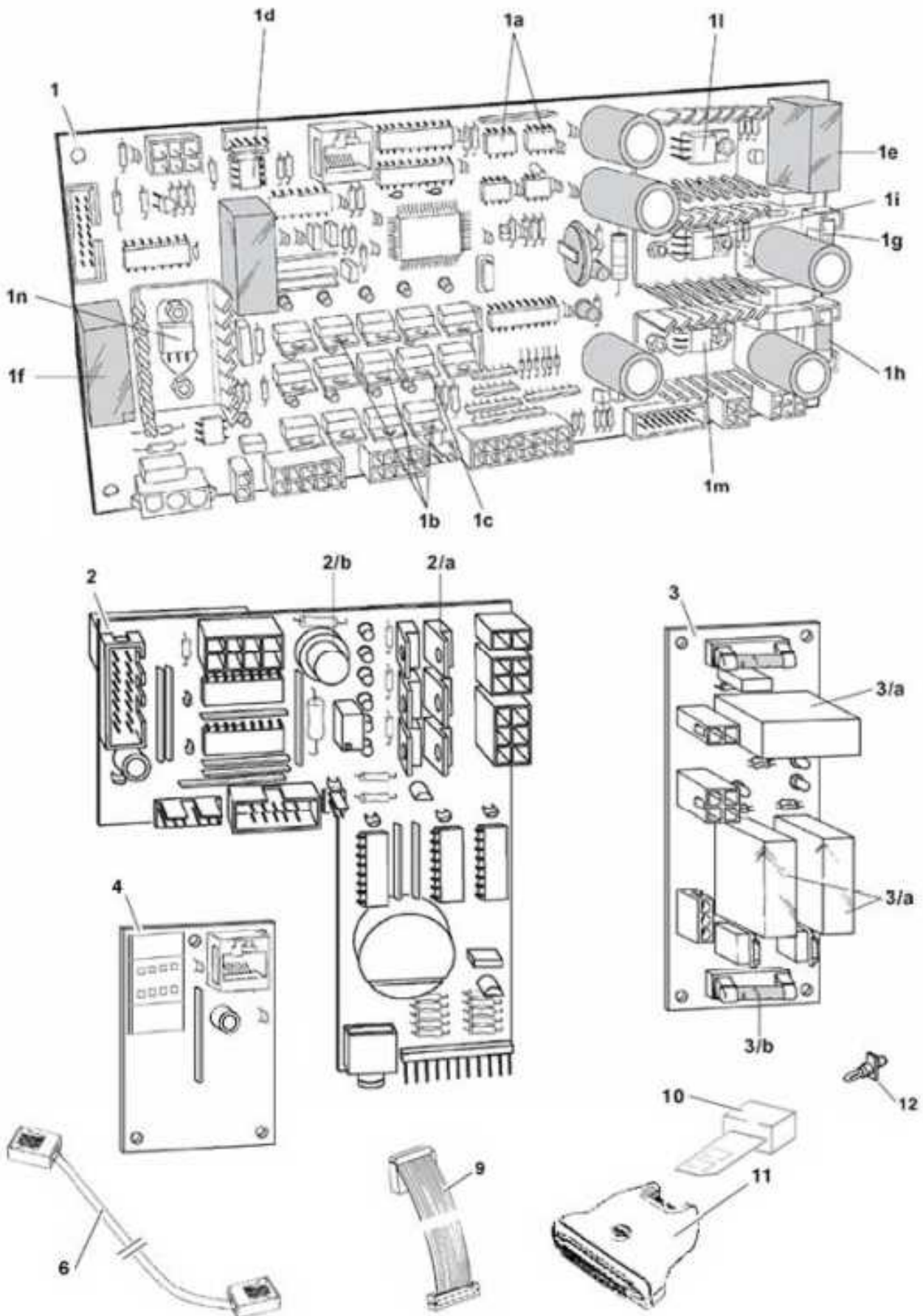
# 7. Boiler



## 7. Boiler

Pos.Nr.	Article description	Article Nr.
*	BOILER ASSEMBLY (from pos. 1 t	0600016065R
1	BOILER TANK	0600016008
2	TRANSPARENT SILICONE PIPE D.10	TSIL10/14T
3	BOILER DISCHARGE PLUG	650001057
4	BOILER COVER PLUG *	0600016049
5	1300W 230 V HEATING ELEMENT Up	0600016067
6	HEATING ELEMENT GASKET	0600016038
7	STAINLESS STEEL FLAT WASHER D.	VIT0003203
8	STAINLESS STEEL NUT M5	VIT0004804
9	121° FUSE ASSEMBLED	ELE0003026CL
10	TRIPLE FITTING	0600016071
11	TRIPLE FITTING BOTTOM	0600016072
12	SILICONE GASKET DE 062	GUA0002008
14	MANUAL RESET THERMOSTAT 88°C	ELE0000962
15	STAINLESS STEEL NUT M4	VIT0004816
16	PROBE SUPPORT	0600016059
17	SCREW T.C.B. M 4 x 12	VIT0001005
18	MIN. WATER LEVEL PROBE	0600016053
19	MAX WATER LEVEL PROBE	0600016054
20	PRIMA SOLUBLE PROBE	ELE0000963R
21	MOTOR PUMP 24 V	0090003031
22	STAINLESS STEEL SCREW T.C.B. M	VIT0001008
23	STAINLESS STEEL EXTERNAL tab D	VIT0003107
24	STAINLESS STEEL FLAT BUSH	0080001005
25	MIXER SHAFT GASKET	GUA0001006
26	STAINLESS STEEL FLAT WASHER D.	VIT0003202
27	PUMP WHEEL	0110030026
28	PUMP BODY	0110030025
29	M 4 CONNECTION FOR THERMOPLAST	VIT0009202
30	UPPER PUMP COVER WITH PIPE	0600016045
31	LOWER PUMP COVER	0600016048
32	SCREW T.C.E.I. M 4x40 INOX	VIT0005524
33	SCREW TCCRT 4,2 x 26	VIT0002461
35	TRANSPARENT SILICONE PIPE D.6	TSIL06/09T
36	BOILER SECURING PLATE	0010020032
37	TAPPING SCREW T.C.B. 3,5 x 6,5	VIT0002009
38	BOILER T	0600016028
39	TRANSPARENT SILICONE PIPE D.7	TSIL07/11T
40	Overflow fitting	0600016030
41	TRANSPARENT SILICONE PIPE D.5	TSIL05/08T
42	CLOSURE COVER CLIP	0600016002

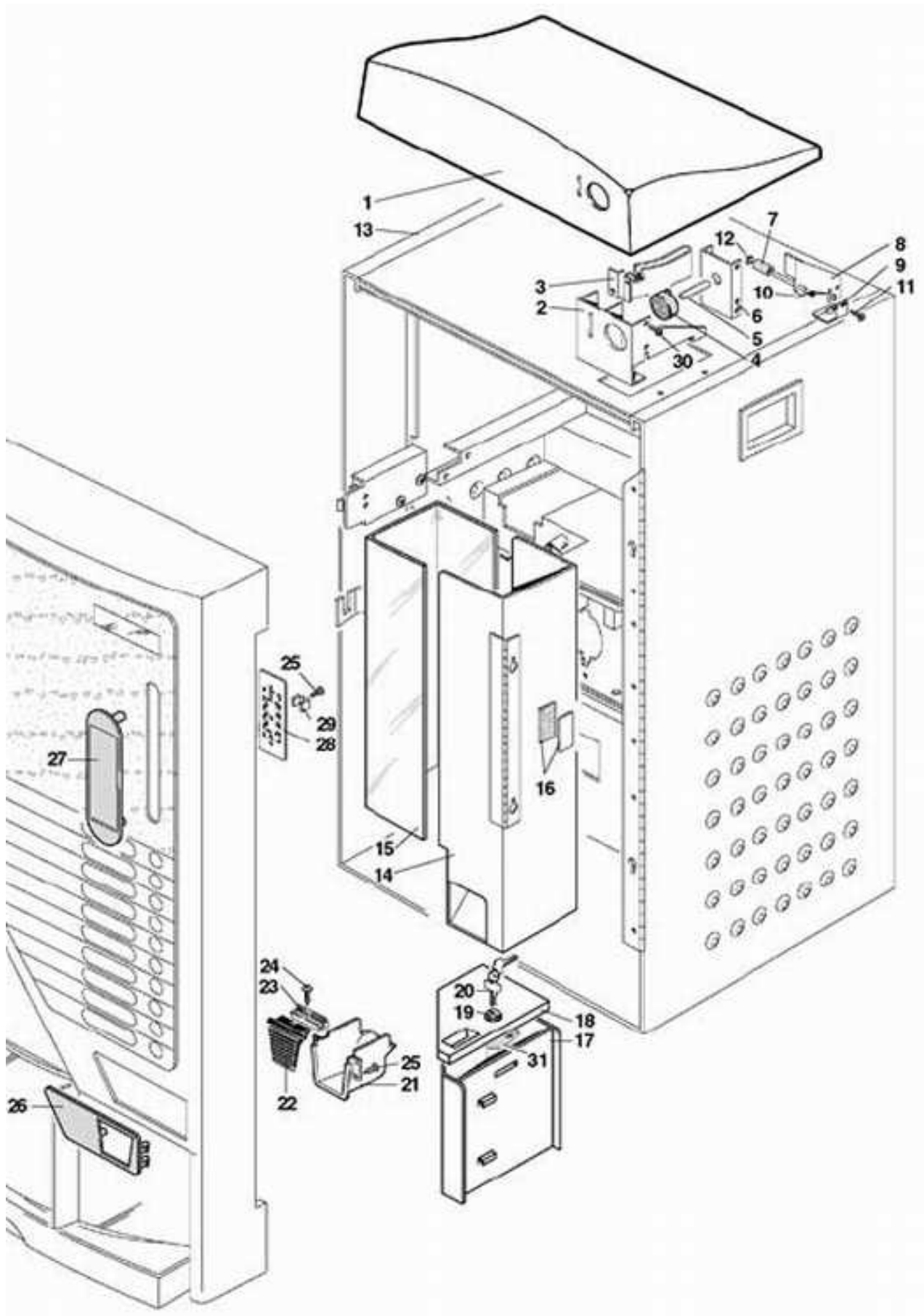
# 8. CPU



**8. CPU**

<b>Pos.Nr.</b>	<b>Article description</b>	<b>Article Nr.</b>
*	FLASH CARD SET	500008
1	CPU/ POWER W/HOLDER	SCH0004400
1a	EA RAM 25LC640	ELT0030067
1b	TRANSISTOR VNP14NV04-E ST	ELT0004028
1c	TRANSISTOR BDW93C	ELT0004020
1d	MCT INTEGRATED 6 Q.T.	ELT0030140
1e	2-WAY 24V D.C. 10A RELAY	ELT0007159
1f	1-WAY 24V D.C. 10A RELAY	ELT0007151
1g	5A SLOW-BLOW GLASS FUSE 5x20	ELE0003028
1h	2A RAPID GLASS FUSE 5x20	ELE0003025
1i	TRANSISTOR BTS 141	ELT0004026
1l	INTEGRATED CIRCUIT 7812	ELT0030305
1m	INTEGRATED CIRCUIT 7805	ELT0030301
1n	TRIAC TRIAC 16 A	ELT0004209
2	DISPLAY/ACTUATORS XM	SCH0004100
2a	TRANSISTOR BDW93C	ELT0004020
2b	D6 ROUND KEY	ELT0030704
3	XS-E EXPANSION	SCH0003240
3a	1-WAY 24V D.C. 10A RELAY	ELT0007151
3b	5A SLOW-BLOW GLASS FUSE 5x20	ELE0003028
4	FLASH 2004 XM From serial 0518	SCH0006100
6	CPU/POWER CONNECTOR 8LINES PHO	ELT0030564
9	RIBBON CABLE 16P.	ELT0030471
10	RHEA FLASH MEMORY	ELT0030068
11	FLSH CARD READER 24PIN SUB D	ELT0030069R
11	Flashcard Twincard Set 3.5 B	KIT100110
12	BOARD SUPPORT	ELE0062008

# 9. Change Giver Kit

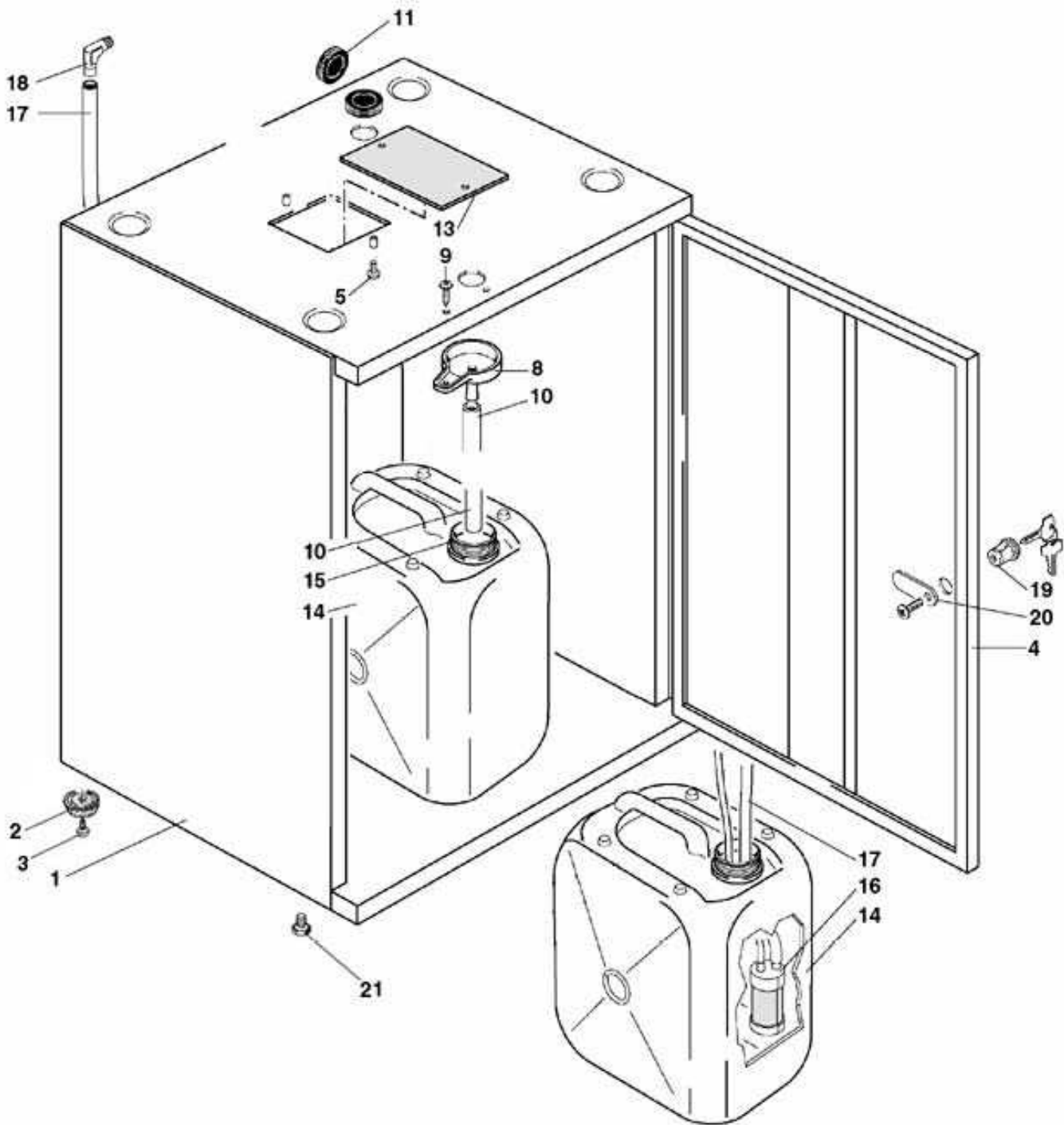


## 9. Change Giver Kit

---

Pos.Nr.	Article description	Article Nr.
*	COIN BOX COVER ASSEMBLY	0030010060R
1	COIN RETURN INLET SUPPORT	0030010075
2	COIN RETURN SWITCH PIN	0010022146
3	COIN INTRODUCTION CHUTE	0030010073
4	COINS RETURN BLACK PUSH-BUTTON	0020027026NA
5	COIN RETURN SWITCH PIN	0020027027
6	COIN RETURN SWITCH SUPPORT	0030010070
7	SPACER	0030010071
8	COIN RETURN LEVER	0030010067
9	CONTRAST SQUARE	0030010072
10	COIN RETURN LEVER SPRING	0030010081
11	SCREW T.E. M 3 x 8 INOX	VIT0000201
12	BENZING-QUICKLOCK	VIT0007102
13	COVER FORCOIN BOX	0030010063
14	COIN BOX SUPPORT ASSEMBLY	0010022140
15	COIN BOX PROTECTION	0030010056
16	DUAL LOCK H-25 MM. FIXATION	0030010055
17	COIN BOX XM	0030010052
18	XM COIN BOX COVER COMPLETE	0030010051R
19	LOCK 154 BOX 5 DT mm 20 RAPID	SER0000020
20	KEY G 3425	SER0000344
21	COINS RETURN TRAY	0020040231
22	COIN RETURN HATCH	0020040214
23	COINS RETURN HATCH COUNTER-WIG	0020027052
24	TAPPING SCREW TCB 3.5 x 9.5	VIT0002401
25	TAPPING SCREW TCB 3.5 x 12	VIT0002452
26	HATCH DOOR FRONT COVER	0020040234
27	KEY TAB	0020040236
28	LOCK PLATE	0020040237
29	SECURING CONNECTION	4600010012
30	TAPPING SCREW T.C.B. 3,5 x 6,5	VIT0002009
31	LOCK BRACKET	SER0001005

# 10. Base / Aqua Module





## 10. Base / Aqua Module

---

Pos.Nr.	Article description	Article Nr.
*	CINO Aqua-Modul + Canister 20L	100501
*	IMMERSION PUMP KIT	100520
1	Base cabinet XM silver	100492
1	Base cabinet XM black	100497
2	PLASTIC FOOT	GUA0011001
3	TAPPING SCREW TCB 3.5 x 9.5	VIT0002401
4		0010022208
5	M 4 x 10 SCREW	VIT0007008
8	COFFEE GROUP GROUNDS CHUTE	0010022123
9	QUICK-THREAD SCREW 3.5 x 20	VIT0002455
10	D.10x14 NATURAL TRANSPARENT SI	TSIL14/20T
11	MEMBRANE CORE HITCH Ø 21	GUA0010502
13		0010020347
14	20 LT. CANISTER	CON0000304
15	CANISTER COVER for 20L CANISTE	CON0000305
16	PUMP AQUAMODULE 24V/DC	0013657900
16	CINO Aqua-Modul + Canister 20L	100501
16	IMMERSION PUMP KIT	100520
17	TRANSPARENT SILICONE PIPE D.7	TSIL07/11T
18	TGV PUMP ELBOW	0100003013
19	BOX 5 RAPID EXTENSION LOCK	SER0000010
20	LOCK BRACKET	SER0001005
21	SCREW TE M8x25	VIT0000215





Your Service and Consulting Partner