



● cafe

Cino XS PB

Sparepart book

Release: 31.07.2008

Automatically generated at 26.08.2008



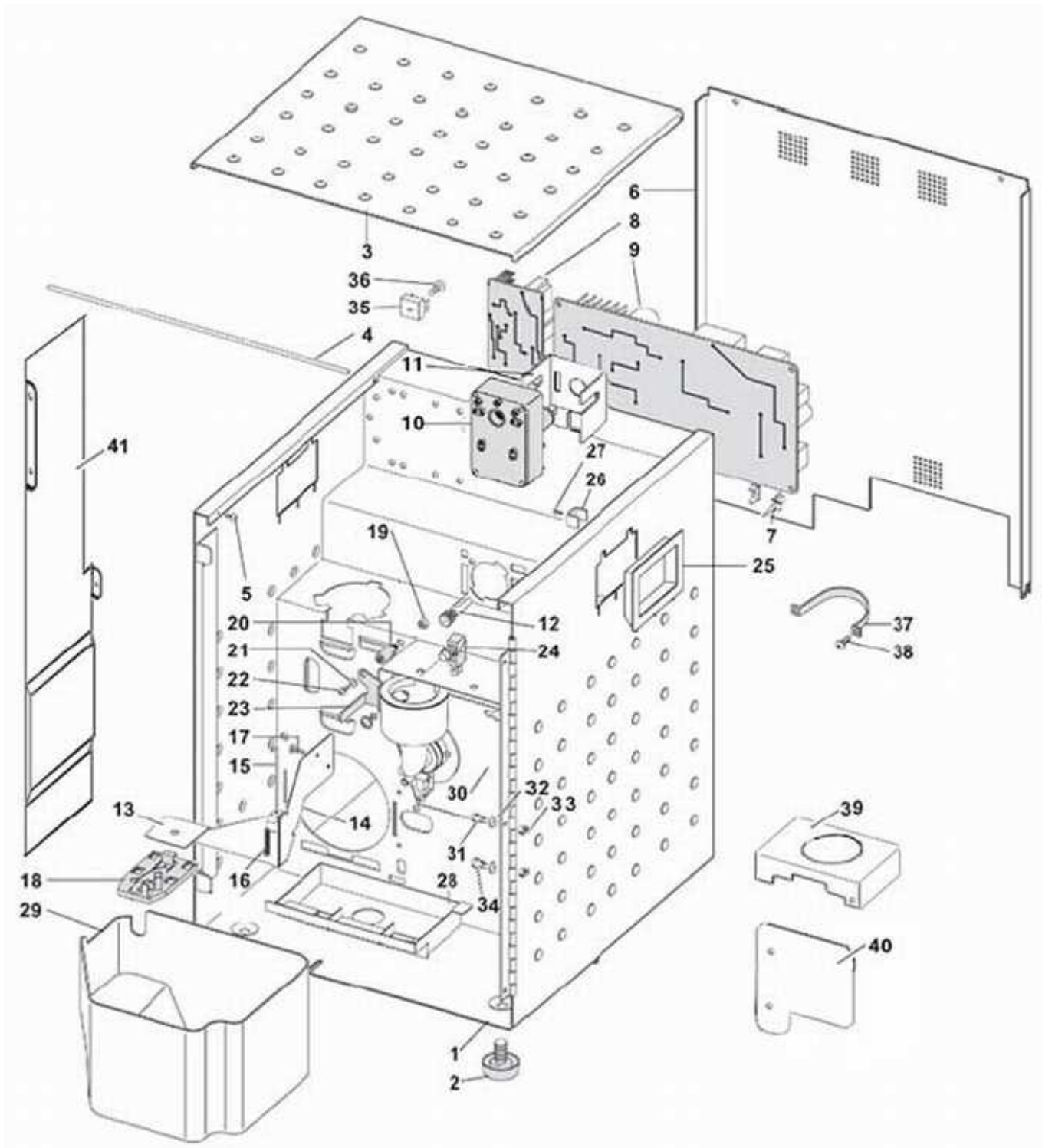
Table of content

1. cabinet front inside (up to S/N 03259999)- exploded diagramm	1
1. cabinet front inside (up to S/N 03259999)- Article List.....	2
2. cabinet front inside (from S/N 03260001)- exploded diagramm	3
2. cabinet front inside (from S/N 03260001)- Article List	4
3. cabinet rear inside (up to S/N 03259999)- exploded diagramm	7
3. cabinet rear inside (up to S/N 03259999)- Article List	8
4. cabinet rear inside (from to S/N 03260001)- exploded diagramm	9
4. cabinet rear inside (from to S/N 03260001)- Article List	10
5. door (up to S/N 0201999)- exploded diagramm	11
5. door (up to S/N 0201999)- Article List.....	12
6. door (up to S/N 03259999)- exploded diagramm	13
6. door (up to S/N 03259999)- Article List.....	14
7. door (from S/N 03260001)- exploded diagramm	15
7. door (from S/N 03260001)- Article List	16
8. products container- exploded diagramm	17
8. products container- Article List.....	18
9. water tank- exploded diagramm	19
9. water tank- Article List.....	20
10. tank in tank- exploded diagramm	21
10. tank in tank- Article List.....	22
11. Mixerbowl/ aqua portioning system- exploded diagramm	23
11. Mixerbowl/ aqua portioning system- Article List.....	24
12. CONTAINER BATCHER GRINDER GROUP- exploded diagramm	25
12. CONTAINER BATCHER GRINDER GROUP- Article List.....	26
13. Coffee Beans Container- exploded diagramm	27
13. Coffee Beans Container- Article List.....	28
14. VERTICAL MILL GROUP- exploded diagramm	29
14. VERTICAL MILL GROUP- Article List	30
15. BATCHER GROUP- exploded diagramm	31
15. BATCHER GROUP- Article List.....	32
16. MICRO COFFEE GROUP MOTOR SUPPORT up to S/N03109999)- exploded diagramm	33
16. MICRO COFFEE GROUP MOTOR SUPPORT up to S/N03109999)- Article List	34
17. MICRO COFFEE GROUP MOTOR SUPPORT from S/N03109999)- exploded diagramm	35
17. MICRO COFFEE GROUP MOTOR SUPPORT from S/N03109999)- Article List	36
18. MICRO COFFEE GROUP- exploded diagramm	37
18. MICRO COFFEE GROUP- Article List	38
19. BOILER- exploded diagramm	41
19. BOILER- Article List.....	42
20. WATER INLET PANEL- exploded diagramm	45
20. WATER INLET PANEL- Article List	46
21. CPU EPROM (up to S/N 03259999)- exploded diagramm	47
21. CPU EPROM (up to S/N 03259999)- Article List	48
22. CPU Flashcard (from S/N 03260001)- exploded diagramm	49
22. CPU Flashcard (from S/N 03260001)- Article List	50

Table of content

23. BASE- exploded diagramm	51
23. BASE- Article List.....	52
Orderfax-Form	53

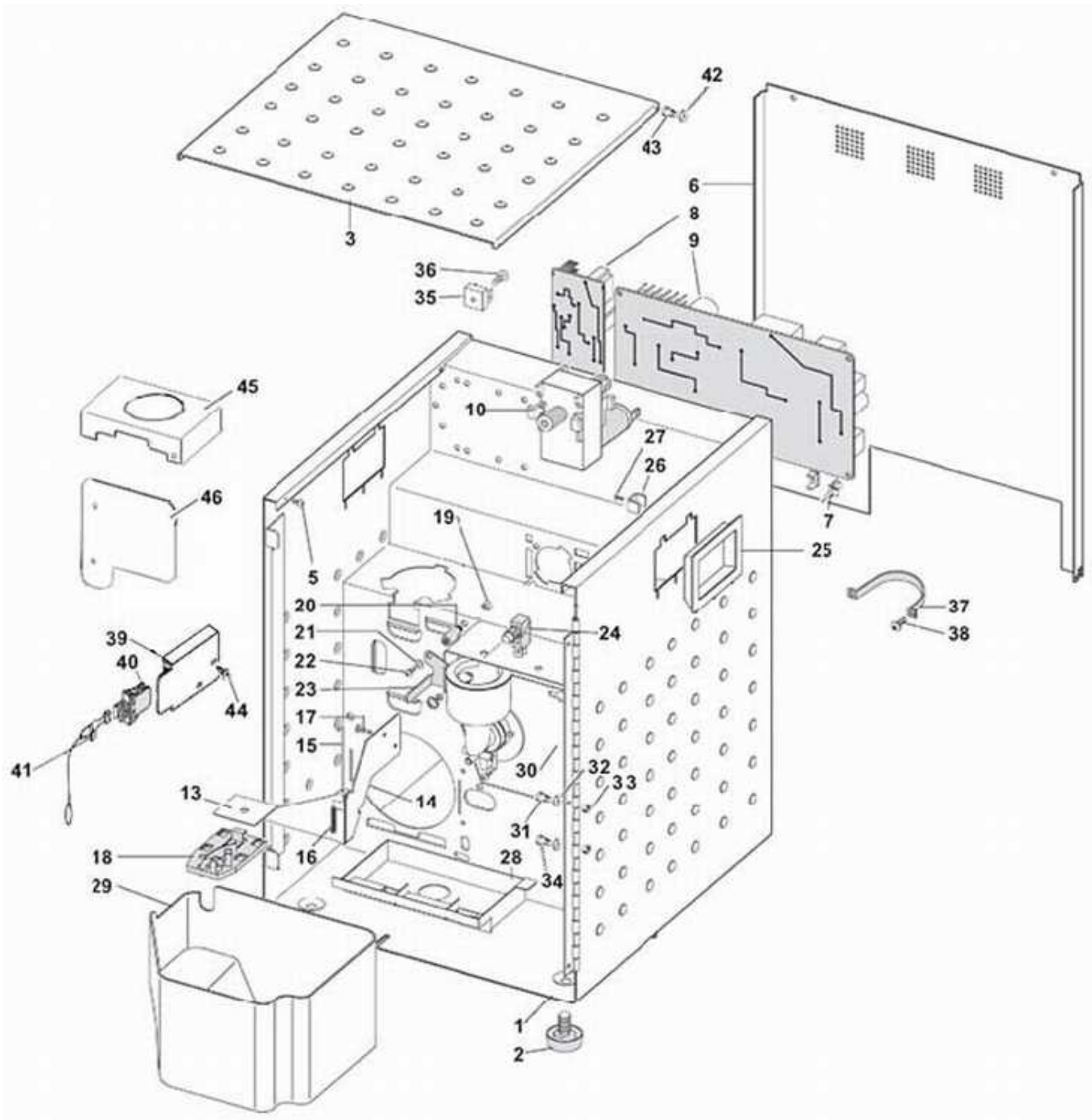
1. cabinet front inside (up to S/N 03259999)



1. cabinet front inside (up to S/N 03259999)

Pos.Nr.	Article description	Article Nr.
1	XS - CABINET E	0010020105
1	Cabinet XS PB SILVER (up to cw	0010020105CM
2	CABINET FEET ASSEMBLY	0010020169
3	UPPER COVER	0010020113
3	Upper Cover XS SILVER (up to c	0010020113CM
4	SHAFT UPPER COVER	0010020022
5	TAPPING SCREW T.C.B. 3,5 x 6,5	VIT0002009
6	REAR DOOR	0010020114
6	REAR DOOR XS E RAL 9006	0010020114CM
7	BOARD SUPPORT	ELE0062008
8	XS-E EXPANSION	SCH0003240
9	CPU/ POWER XS	SCH0002640
10	MR NCJM2480-X 24VDC	0090002113
11	GEAR MOTOR SUPPORT	0010020031
12	Z18 D.15 LONG SHAFT	0090002112
13	JOINT SIDE COVER	0010020134
14	JOINT FRONT COVER	0010020133
15	JOIN PIN	0010020137
16	JOINT SPRING	0010020138
17	TAPPING SCREW TCB 3.5 x 9.5	VIT0002401
18	SUPPORT FOR PRODUCT PIPE	0010020051
19	NUT M6	VIT0004505
20	MICRO GROUP HOOKING BLOCK	0260010103
21	WASHER D.12 x 4.3 x 1.5	VIT0003301
22	SCREW TCB M4 x 7	VIT0000030
23	GROUP CONNECTING PLATE	0010020132
24	MICROSWITCH 83.131.8-IW3M	ELE0001506
25	HANDLE	0010020026NA
26	SECURING CONNECTION	4600010012
27	TAPPING SCREW TCB 3.5 x 12	VIT0002452
28	1 MIXER EXHAUST DRAWER	0010020181
28	EXHAUST DRAWER	0010022115
29	GROUNDS CONTAINER	0010020129
30	E 1 MIXER SUPPORT	0010020116
30	E 2 MIXER SUPPORT	0010020125
31	PLASTIC COIN BOX LONG SPACER	0020035125
32	WASHER D.8 x 4.3 x 0.8	VIT0003003
33	NUT M 4	VIT0004503
34	PLASTIC COIN BOX SHORT SPACER	0020035124
35	25 A 600 V DIODE BIDGE	ELT0006005
36	M 4x16 TCB SCREW	VIT0000014
37	PIPES CLIP	0010080186
38	M 4x12 TCB SCREW	VIT0000013
39	cover grinder XS PB	0010020193
40	Cover Batcher Group XS PB	0010020195
41	FIXING COVER Batcher Group XS	0010020194

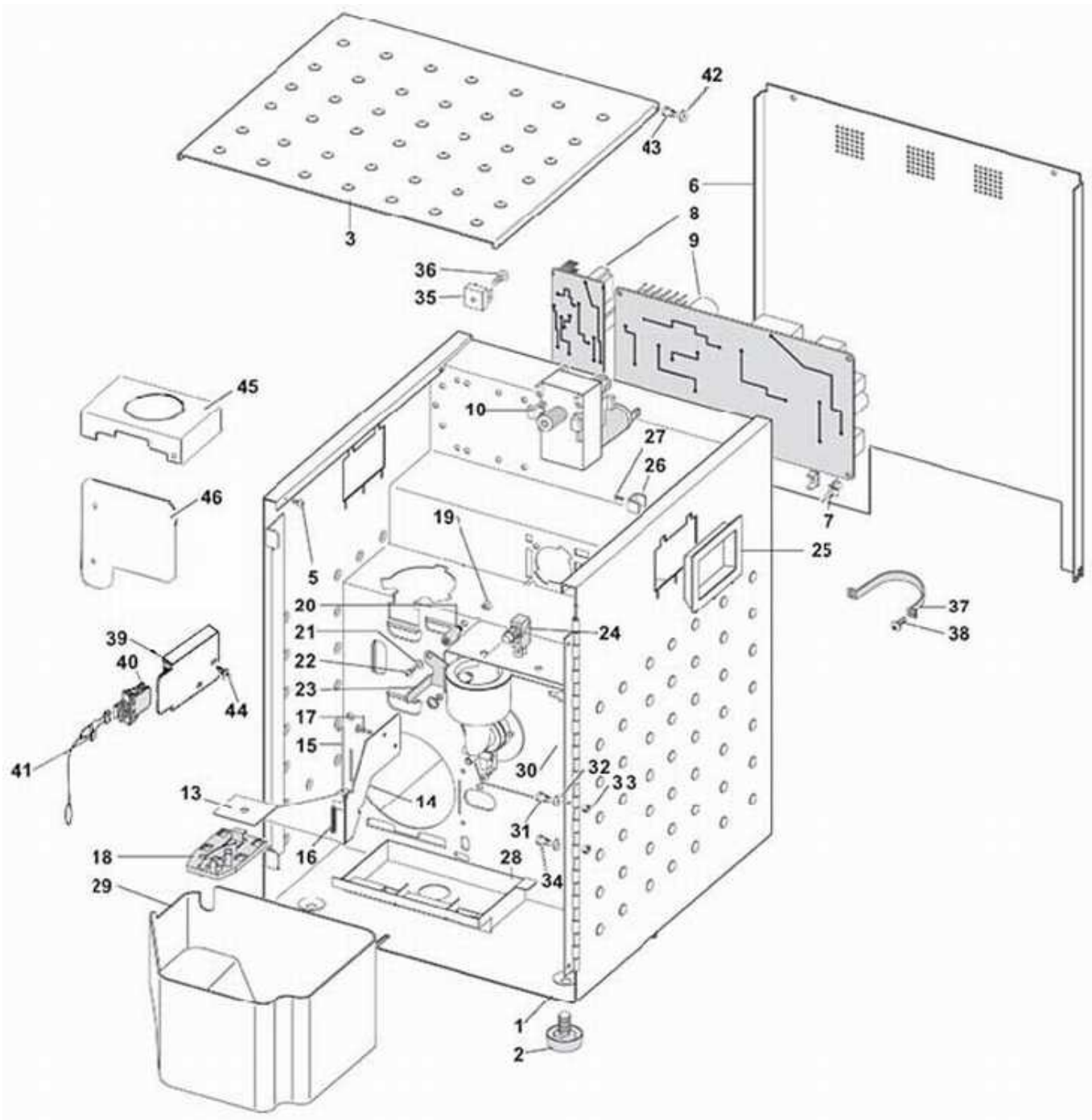
2. cabinet front inside (from S/N 03260001)



2. cabinet front inside (from S/N 03260001)

Pos.Nr.	Article description	Article Nr.
1	CABINET STRUCTURE ASSEMBLY from S/N 0326xxxx	0010020805
1	CABINET STRUCTURE ASSEMBLY from S/N 0326xxxx SILVER	0010020805CM
2	CABINET FEET ASSEMBLY	0010020169
3	UPPER COVER CABINET XS E FROM S/N0326xxxx SILVER	0010020816CM
3	UPPER COVER CABINET XS E FROM S/N0326xxxx	0010020816
4	SHAFT UPPER COVER	0010020022
5	TAPPING SCREW T.C.B. 3,5 x 6,5	VIT0002009
6	REAR COVER XS PB from 0326xxxx SILVER	0010020820CM
6	REAR COVER XS PB from 0326xxxx	0010020820
7	BOARD SUPPORT	ELE0062008
8	XS-E EXPANSION	SCH0003240
9	CPU/ POWER XS	SCH0002640
10	MR NCJM2480-X 24VDC	0090002113
11	GEAR MOTOR SUPPORT	0010020031
12	Z18 D.15 LONG SHAFT	0090002112
13	JOINT SIDE COVER	0010020134
14	JOINT FRONT COVER	0010020133
15	JOIN PIN	0010020137
16	JOINT SPRING	0010020138
17	TAPPING SCREW TCB 3.5 x 9.5	VIT0002401
18	SUPPORT FOR PRODUCT PIPE	0010020051
19	NUT M6	VIT0004505
20	MICRO GROUP HOOKING BLOCK	0260010103
21	WASHER D.12 x 4.3 x 1.5	VIT0003301
22	SCREW TCB M4 x 7	VIT0000030
23	GROUP CONNECTING PLATE	0010020132
24	MICROSWITCH 83.131.8-IW3M	ELE0001506
25	HANDLE	0010020026NA
26	SECURING CONNECTION	4600010012
27	TAPPING SCREW TCB 3.5 x 12	VIT0002452
28	1 MIXER EXHAUST DRAWER	0010020181
28	EXHAUST DRAWER	0010022115
29	GROUNDS CONTAINER	0010020129
30	E 2 MIXER SUPPORT	0010020125
30	E 1 MIXER SUPPORT	0010020116
31	PLASTIC COIN BOX LONG SPACER	0020035125
32	WASHER D.8 x 4.3 x 0.8	VIT0003003
33	NUT M 4	VIT0004503
34	PLASTIC COIN BOX SHORT SPACER	0020035124
35	25 A 600 V DIODE BIDGE	ELT0006005
36	M 4x16 TCB SCREW	VIT0000014
37	PIPES CLIP	0010080186
38	M 4x12 TCB SCREW	VIT0000013
39	SAVETY SWITCH COVER XS	0010020772
39	SAVETY SWITCH COVER XS SILVER	0010020772CM
40	SAFETY SWITCH	ELE0002009
41	SERVICE KEY ASSEMBLY	0270011109CL
42	BENZING-QUICKLOCK	VIT0007102

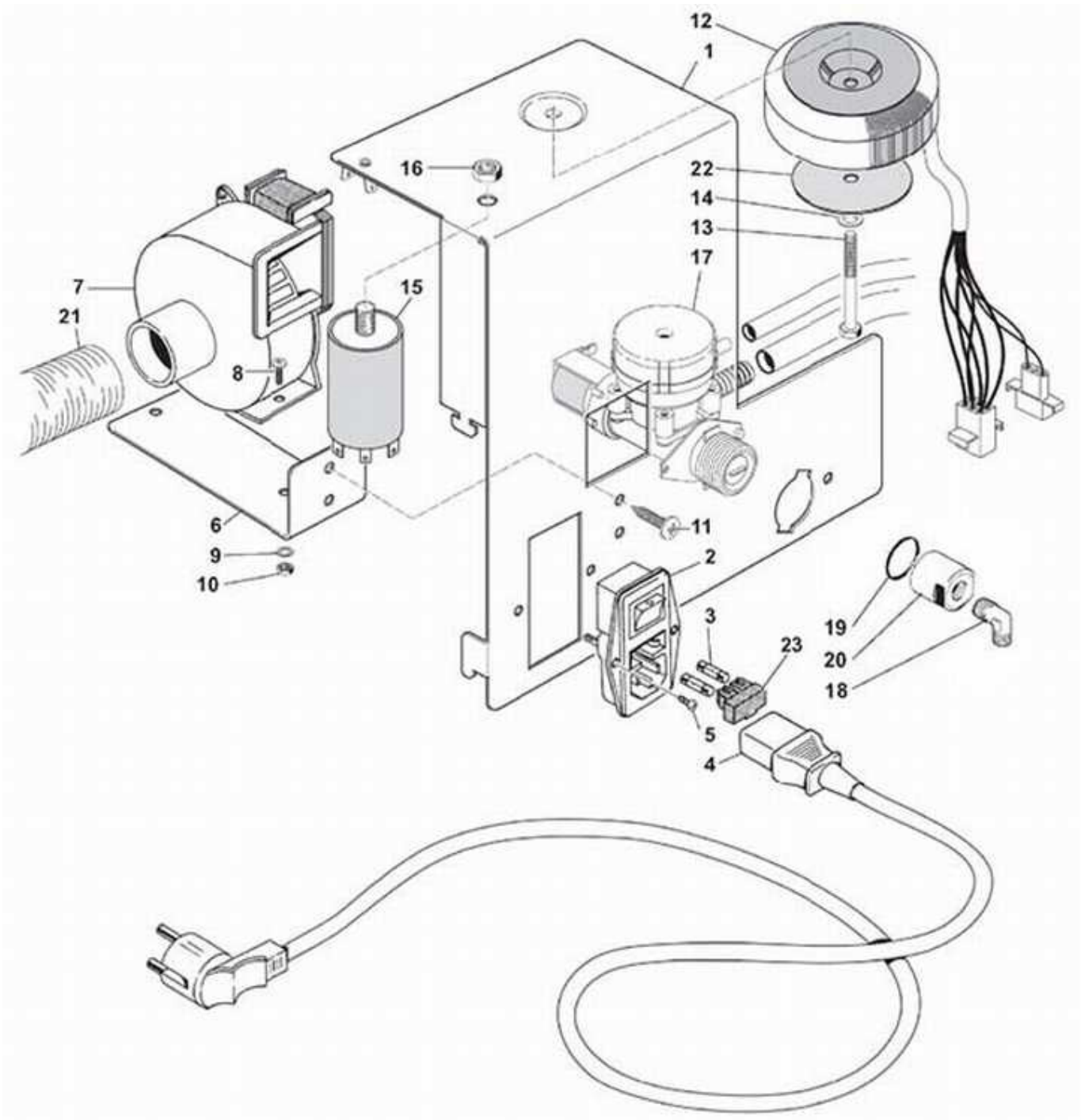
2. cabinet front inside (from S/N 03260001)



2. cabinet front inside (from S/N 03260001)

Pos.Nr.	Article description	Article Nr.
43	FIXING RIVET FOR COVER	0010020754R
44	2.9x 6.5 TAPPING TCB SCREW	VIT0002001
45	cover grinder XS PB	0010020193
46	Cover Batcher Group XS PB	0010020195

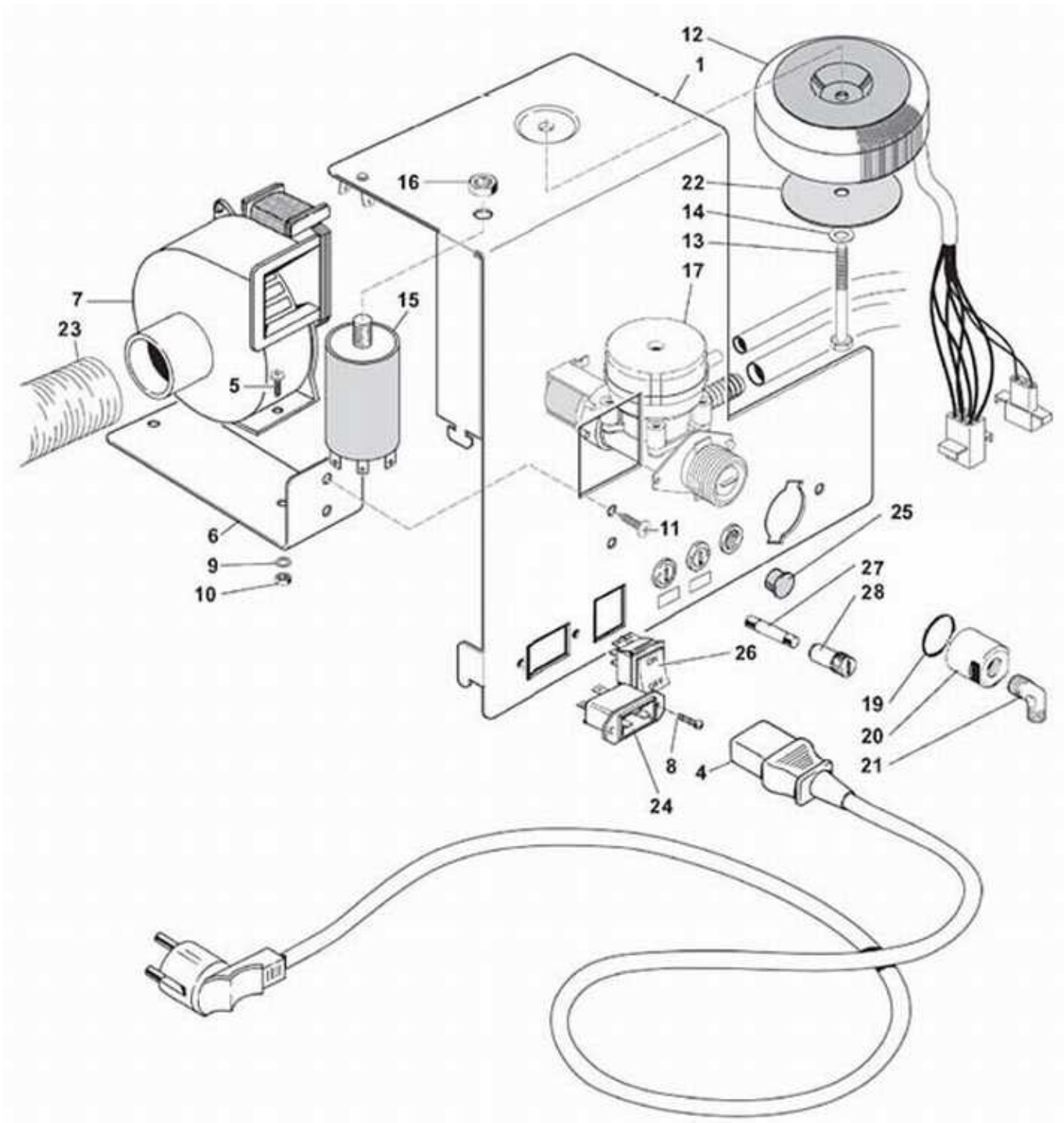
3. cabinet rear inside (up to S/N 03259999)



3. cabinet rear inside (up to S/N 03259999)

Pos.Nr.	Article description	Article Nr.
1	EXHAUST SUPPORT	0010020146
2	POWER SWITCH MODULE	ELE0002309
3	5A SLOW-BLOW GLASS FUSE 5x20	ELE0003028
4	POWER LEAD 3 x 1 SOCKET AND SC	ELE0055008
4	POWER LEAD 3 x 1 WITH IEC SOCK	ELE0055010
5	TAPPING SCREW T.C.B. 3,5 x 6,5	VIT0002009
6	EXHAUST SUPPORT	0010020145
7	CENTRIFUGAL EXHAUSTER	ELE0000459
8	M 4x12 TCB SCREW	VIT0000013
9	WASHER tab D. 4.3	VIT0003103
10	NUT M 4	VIT0004503
11	TAPPING SCREW TCB 3.5 x 9.5	VIT0002401
12	TOROIDAL TRANSFORMER ASSEMBLY	ELE0000569R
13	M 6x50 H.H. SCREW	VIT0000239
14	6.4x12.5x1.6 FLAT WASHER	VIT0003005
15	ANTIPARASITIC FILTER 250V 10A 0.47yF	ELE0009055
16	M 8 NUT	VIT0004506
17	24 DC INLET VALE WITH SAFETY D	0110001086
18	knee 3/8 - 3/8 OUTSIDE	0100001023
19	OR 130 JUST FOR MAIN WATER SUP	GUA0000021
20	3/8 GAS M WATER INLET VALVE CO	0810010558
21	EXTERNAL WRINKLED PIPE XS/XM/XL/ECO	TEOL000002
22	GUARNIZIONE GOMMA TRASFORMATOR	GUA0005016
23	Fuse mounting drawer for Cino	500055

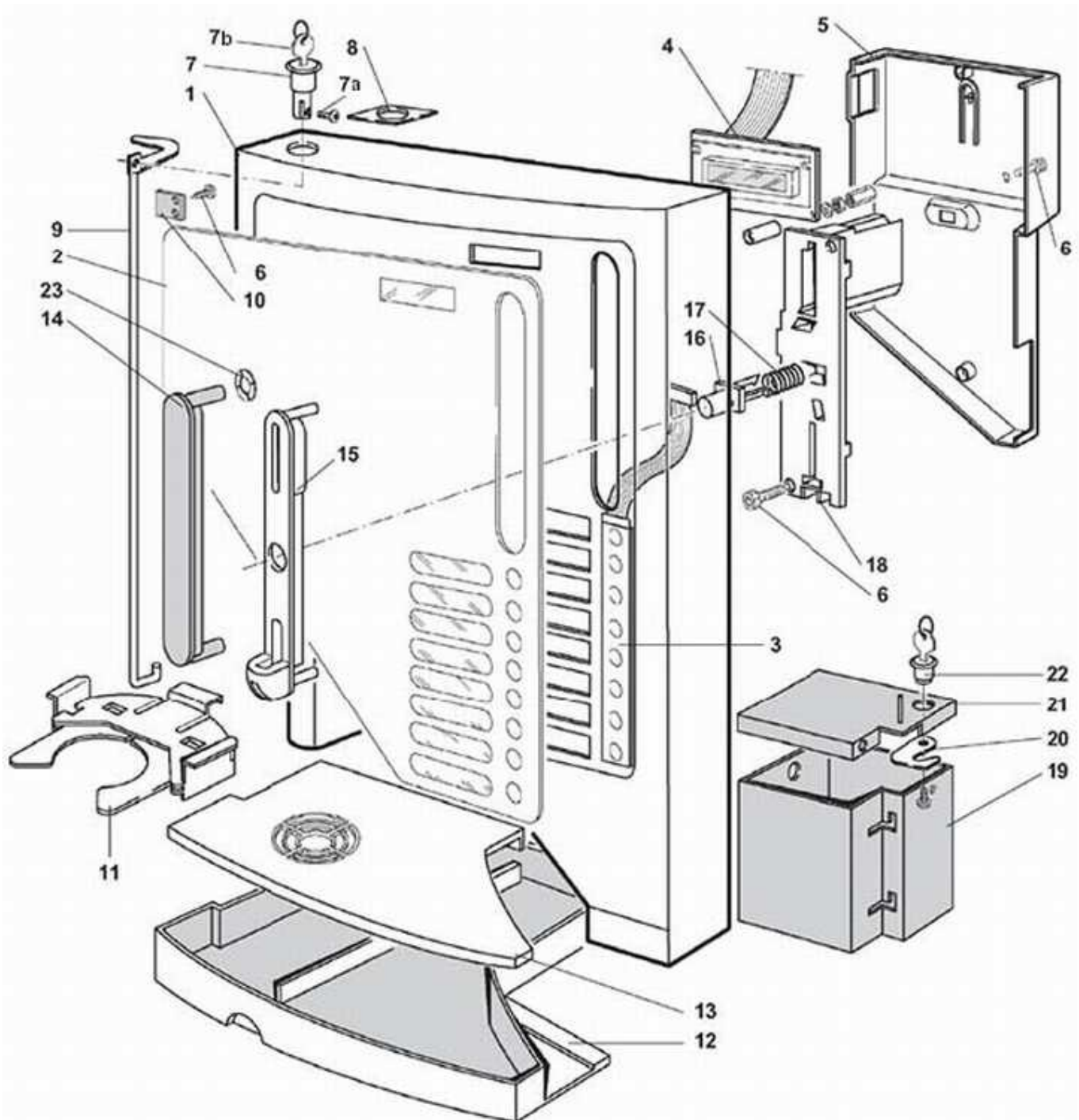
4. cabinet rear inside (from to S/N 03260001)



4. cabinet rear inside (from to S/N 03260001)

Pos.Nr.	Article description	Article Nr.
1	REAR DOOR ROTATABLE from S/N 0326xxxx	0010020813
1	REAR DOOR ROTATABLE from S/N 0326xxxx SILVER	0010020813CM
4	POWER LEAD 3 x 1 WITH IEC SOCK	ELE0055010
4	POWER LEAD 3 x 1 SOCKET AND SC	ELE0055008
5	M 4x12 TCB SCREW	VIT0000013
6	EXHAUST SUPPORT	0010020145
7	CENTRIFUGAL EXHAUSTER	ELE0000459
8	TAPPING SCREW T.C.B. 3,5 x 6,5	VIT0002009
9	WASHER tab D. 4.3	VIT0003103
10	NUT M 4	VIT0004503
11	TAPPING SCREW TCB 3.5 x 9.5	VIT0002401
12	TOROIDAL TRANSFORMER ASSEMBLY	ELE0000569R
13	M 6x50 H.H. SCREW	VIT0000239
14	6.4x12.5x1.6 FLAT WASHER	VIT0003005
15	ANTIPARASITIC FILTER 250V 10A 0.47yF	ELE0009055
16	M 8 NUT	VIT0004506
17	24 DC INLET VALE WITH SAFETY D	0110001086
19	OR 130 JUST FOR MAIN WATER SUP	GUA0000021
20	3/8 GAS M WATER INLET VALVE CO	0810010558
21	knee 3/8 - 3/8 OUTSIDE	0100001023
22	GUARNIZIONE GOMMA TRASFORMATOR	GUA0005016
23	EXTERNAL WRINKLED PIPE XS/XM/XL/ECO	TEOL0000002
24	IEC 15A 250V SOCKET	ELE0002310
25	RELEASE PLUG	GUA0011010
26	15A 250V ON/OFF UL/CSA BIPOLAR	ELE0002014
27	SLOW-BLOW CERAMIC TYPE 6.3A FU	ELE0003024
28	FUSES HOLDER	ELE0003507

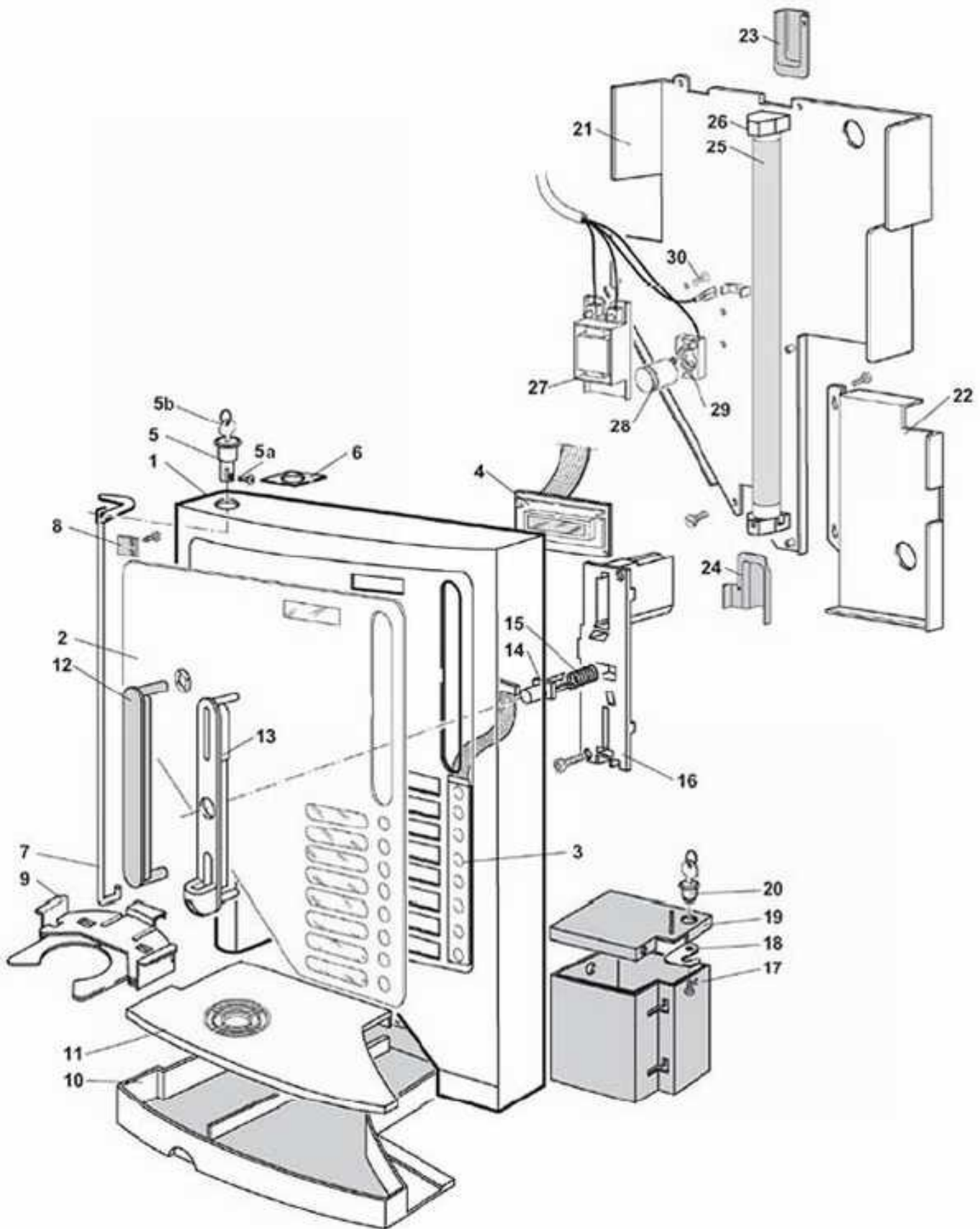
5. door (up to S/N 0201999)



5. door (up to S/N 0201999)

Pos.Nr.	Article description	Article Nr.
1	BLACK DOOR	0020035135
2	FRONT PANEL XS CAFE	0020035056
3	8-KEY KEYBOARD	0020035036
4	DISPLAY	SCH0005280
5	DISPLAY COVER	0020035008
6	TAPPING SCREW TCB 3.5 x 12	VIT0002452
7	BOX 5 RAPID EXTENSION LOCK	SER0000012
7a	Screw lockcylinder	VIT0002603
7b	KEY G 3102	SER0000327
8	LOCK PLATE	0020035041
9	DOOR LOCK PIN	0020035045
10	PIN STOP PLATE	0020035046
11	RED CUP SUPPORT WITH CONNECTIO	100505
12	WATER COLLECTION TRAY	0020035006
12	XS WATER COLLECTION TRAY LATTE MAC.	0020035098
13	XS COVER WATER COLLECTION TRAY LATTE MACC.	0020035099
13	WATER COLLECTION TRAY GRATE	0020035007
14	BLACK COIN BOX BLOCKING TAB	0020035029NA
15	BLACK COIN BOX TAB	0020035031NA
16	RED COIN RETURN BUTTON 3020	0020035033KA
17	COIN RETURN BUTTON SPRING	0020035034
18	COIN BOX SUPPORT	0020035032NA
19	PLASTIC COIN DRAWER	0020035123NA
20	PLASTIC COIN DRAWER HOOK **	0020035126NA
21	PLASTIC COVER ASSEMBLY (POS. 1	0020035122R
21	BLACK COIN BOX COVER ASSEMBLY	0020035122NA
22	154 RAPID BOX LOCK *	SER0000015
22a	KEY G 3430	SER0000335
23	BUSH	VIT0007109

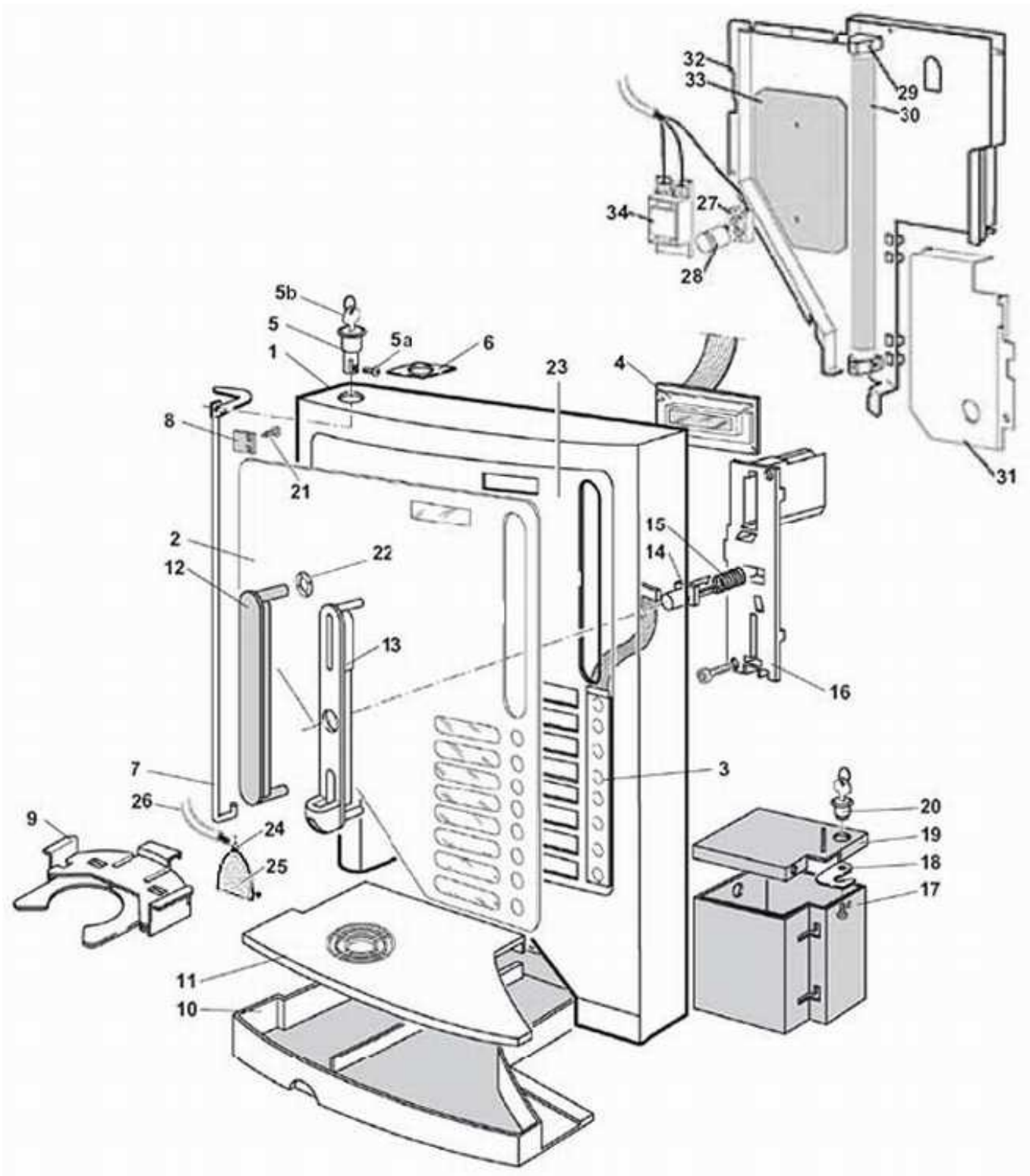
6. door (up to S/N 03259999)



6. door (up to S/N 03259999)

Pos.Nr.	Article description	Article Nr.
1	BLACK DOOR	0020035135
2	FRONT PANEL XS CAFE	0020035056
3	8-KEY KEYBOARD	0020035036
4	DISPLAY	SCH0005280
5	BOX 5 RAPID EXTENSION LOCK	SER0000012
5a	Screw lockcylinder	VIT0002603
5b	KEY G 3102	SER0000327
6	LOCK PLATE	0020035041
7	DOOR LOCK PIN	0020035045
8	PIN STOP PLATE	0020035046
9	RED CUP SUPPORT WITH CONNECTIO	100505
10	WATER COLLECTION TRAY	0020035006
10	XS WATER COLLECTION TRAY LATTE MAC.	0020035098
11	XS COVER WATER COLLECTION TRAY LATTE MACC.	0020035099
11	WATER COLLECTION TRAY GRATE	0020035007
12	BLACK COIN BOX BLOCKING TAB	0020035029NA
13	BLACK COIN BOX TAB	0020035031NA
14	RED COIN RETURN BUTTON 3020	0020035033KA
15	COIN RETURN BUTTON SPRING	0020035034
16	COIN BOX SUPPORT	0020035032NA
17	PLASTIC COIN DRAWER	0020035123NA
18	PLASTIC COIN DRAWER HOOK **	0020035126NA
19	PLASTIC COVER ASSEMBLY (POS. 1	0020035122R
19	BLACK COIN BOX COVER ASSEMBLY	0020035122NA
20	154 RAPID BOX LOCK *	SER0000015
20a	KEY G 3430	SER0000335
21	LAMP TRAIL SHEET	0020035141
22	LABEL INSERTION DOOR (up to S/N 0325xxxx)	0020035143
23	UPPER CABLES PROTECTION	0020035137
24	LOWER CABLES PROTECTION	0020035138
25	FLUORESCENT TUBE 8W	ELE0009018
26	BIPLUG G 13 LAMP HOLDER	ELE0009107
27	220 V BALLAST	ELE0009116
28	STARTER	ELE0009109
29	L 8 W 20 LAMP	ELE0009108
30	SCREW TCB M4 x 7	VIT0000030
31	BUSH	VIT0007109

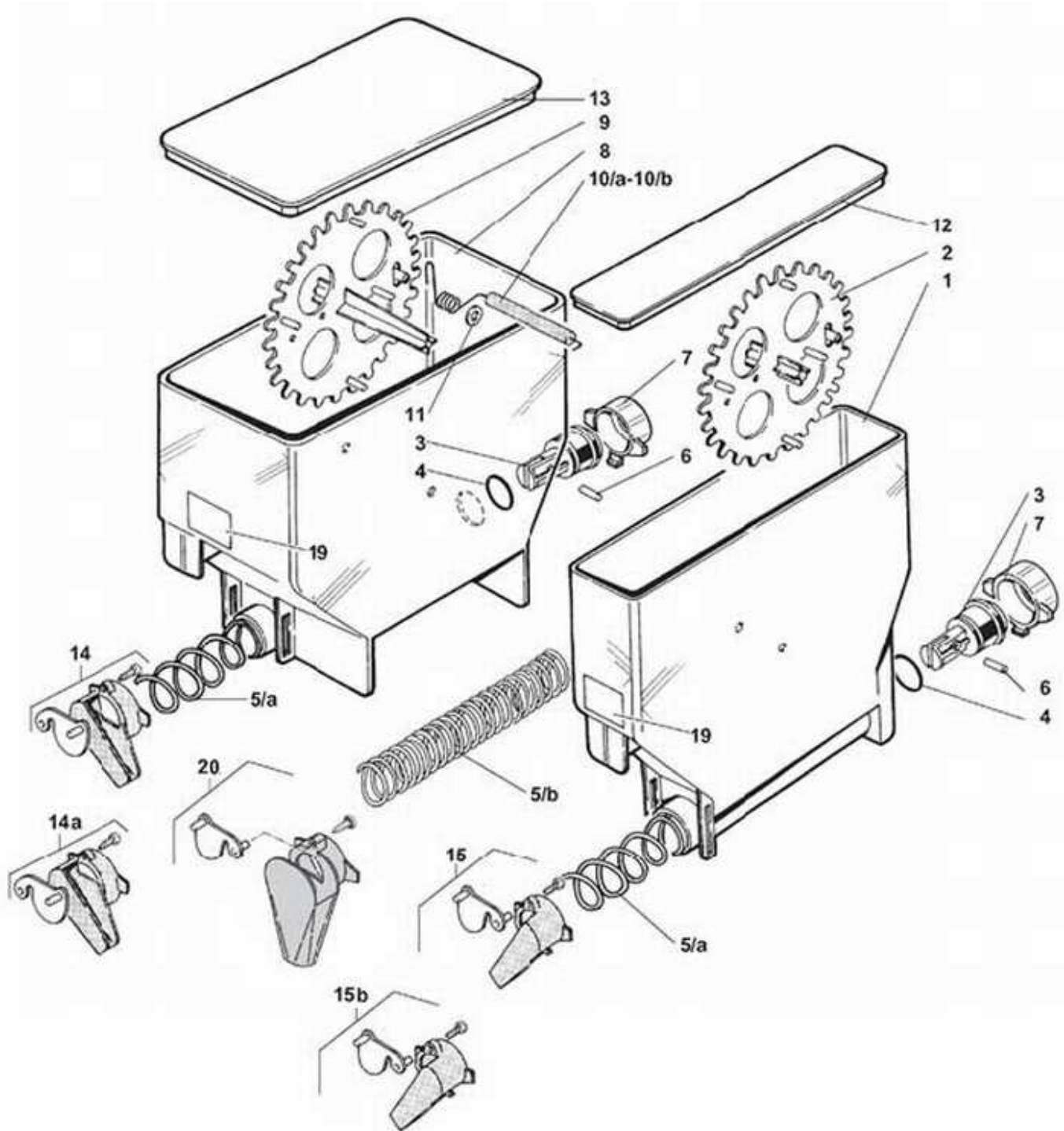
7. door (from S/N 03260001)



7. door (from S/N 03260001)

Pos.Nr.	Article description	Article Nr.
1	DOOR XS (from S/N 0326xxxx)	0020035205
1	DOOR XS (from S/N 0326xxxx) SILVER	0020035205CM
2	FRONT PANEL XS CAFE	0020035056
3	8-KEY KEYBOARD	0020035036
4	DISPLAY	SCH0005280
5	BOX 5 RAPID EXTENSION LOCK	SER0000012
5a	Screw lockcylinder	VIT0002603
5b	KEY G 3102	SER0000327
6	LOCK PLATE	0020035041
7	DOOR LOCK PIN	0020035045
8	PIN STOP PLATE	0020035046
9	RED CUP SUPPORT WITH CONNECTIO	100505
10	WATER COLLECTION TRAY	0020035006
10	XS WATER COLLECTION TRAY LATTE MAC.	0020035098
10	WATER COLLECTION TRAY SILVER	0020035006CM
11	WATER COLLECTION TRAY GRATE	0020035007
11	XS COVER WATER COLLECTION TRAY LATTE MACC.	0020035099
12	BLACK COIN BOX BLOCKING TAB	0020035029NA
13	BLACK COIN BOX TAB	0020035031NA
14	RED COIN RETURN BUTTON 3020	0020035033KA
15	COIN RETURN BUTTON SPRING	0020035034
16	COIN BOX SUPPORT	0020035032NA
17	PLASTIC COIN DRAWER	0020035123NA
18	PLASTIC COIN DRAWER HOOK **	0020035126NA
19	PLASTIC COVER ASSEMBLY (POS. 1	0020035122R
19	BLACK COIN BOX COVER ASSEMBLY	0020035122NA
20	154 RAPID BOX LOCK *	SER0000015
20a	KEY G 3430	SER0000335
21	TAPPING SCREW TCB 3.5 x 12	VIT0002452
22	BUSH	VIT0007109
23	PANEL XS (MIDDLE OF DOOR, TRANSPARENT)	0020035206
24	LED GREEN XS	ELT0006768
24	LED BLUE XS	ELT0006766
24	D.5MM TLHR5400 RED LED	ELT0006765
24	LED ORANGE XS	ELT0006767
24	LED WHITE XS	ELT0006769
25	RED SHINING SUPPLEMENT	0020035209
26	Cable for LED	CBLXS00057
27	Mounting for Starter 16/AL	ELE0009122
28	STARTER	ELE0009109
29	lamp mounting	ELE0009121
30	FLUORESCENT TUBE 8W	ELE0009018
31	COVER PRODUCT LABELS (from S/N 0326xxxx)	0020035208
32	COVER LAMP (from S/N 0326xxxx)	0020035207
33	Heat protection plate XS PB	0020035219
34	220 V BALLAST	ELE0009116

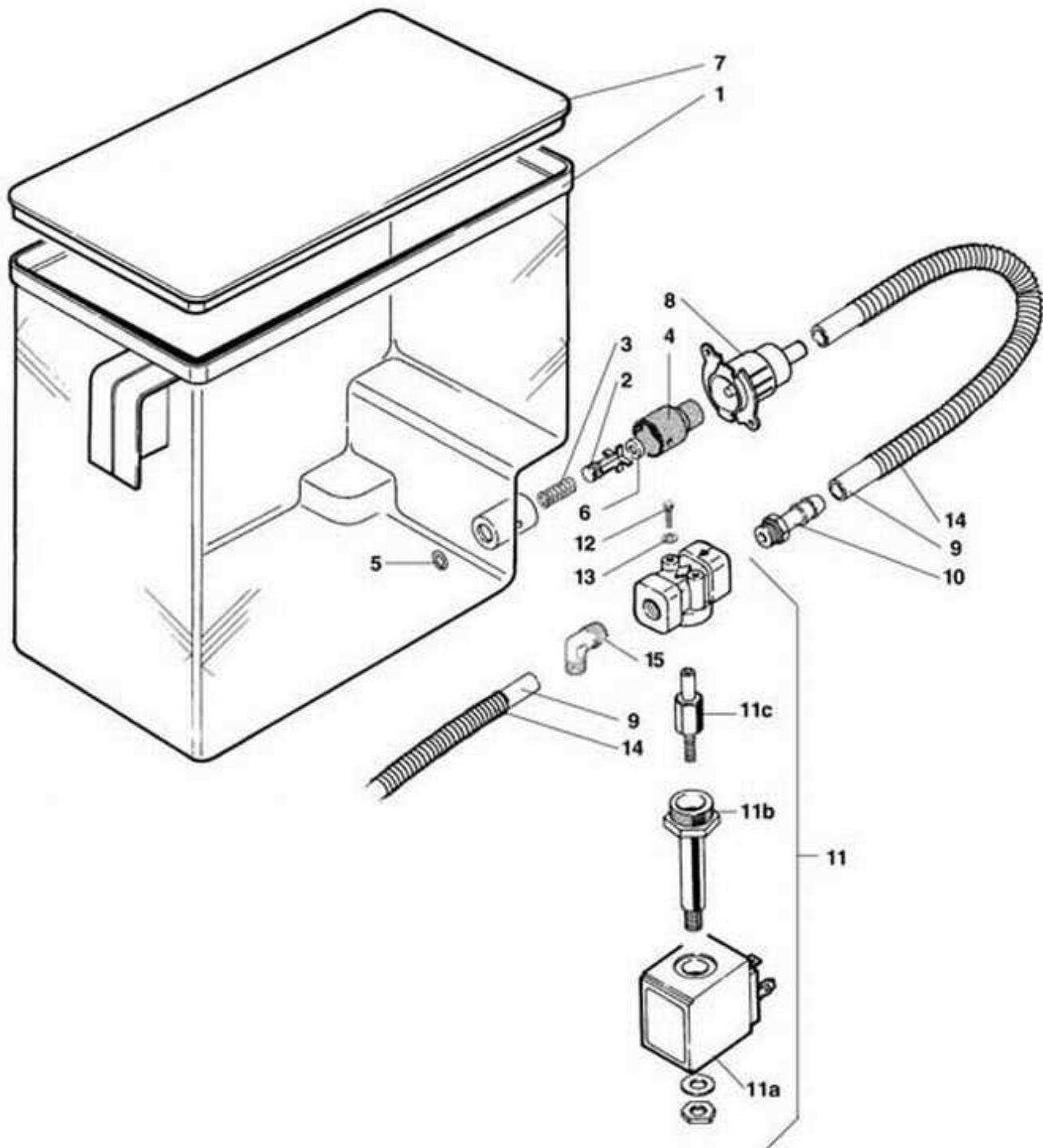
8. products container



8. products container

Pos.Nr.	Article description	Article Nr.
*	INGREDIENT CONTAINER 54 mm WOR	0230030005R
*	PRODUCT CONTAINER 54 mm WORM S	0230030006R
*	PROD. CONT. 110 mm WORM SCREW	0230030007R
*	PROD. CONT. 110 mm WORM SCREW	0230030009R
1	PLASTIC INGREDIENT CONTAINER 5	0230030005
2	MIXER GEAR ORANGE RAL 2011	0230030016
3	WORM SCREW PIN	0230030012
4	OR 123	GUA0000083
5a	WORM SCREW P.18	0230030014
5b	WORM SCREW P. 9	0230030013
6	ELASTIC PIN D.2 x 14	VIT0005301
7	REAR BUSH	0230030011
8	PLASTIC INGREDIENT CONTAINER 1	0230030008
9	MIXER GEAR mm.110 ORANGE RAL 2	0230030015
10a	INGREDIENT MIXER 112 mm. R.H.	0230030041
10a	INGREDIENT MIXER 112 mm. L.H.	0230030042
11	STAINLESS STEEL FLAT WASHER D.	VIT0003210
12	CONTAINER COVER 54 mm. From se	0230030156
13	CONTAINER COVER 110 mm. From s	0230030158
14	RIGHT CONVEYOR INGREDIENT	0230030017R
14a	RIGHT CONVEYOR INGREDIENT	0230030044R
15	LEFT CONVEYOR INGREDIENT	0230030018R
15b	LEFT CONVEYOR INGREDIENT	0230030043R
19	SUGAR I-F-D- LABEL	1010150001
19	SHOKO I-F-D- LABEL	1010150006
19	SOUP I-F-D- LABEL	1010150005
19	TEA I-F-D- LABEL	1010150004
19	MILK I-F-D- LABEL	1010150003
19	COFFEE I-F-D- LABEL	1010150002
20	CONVEYOR INGREDIENT	0230030019R

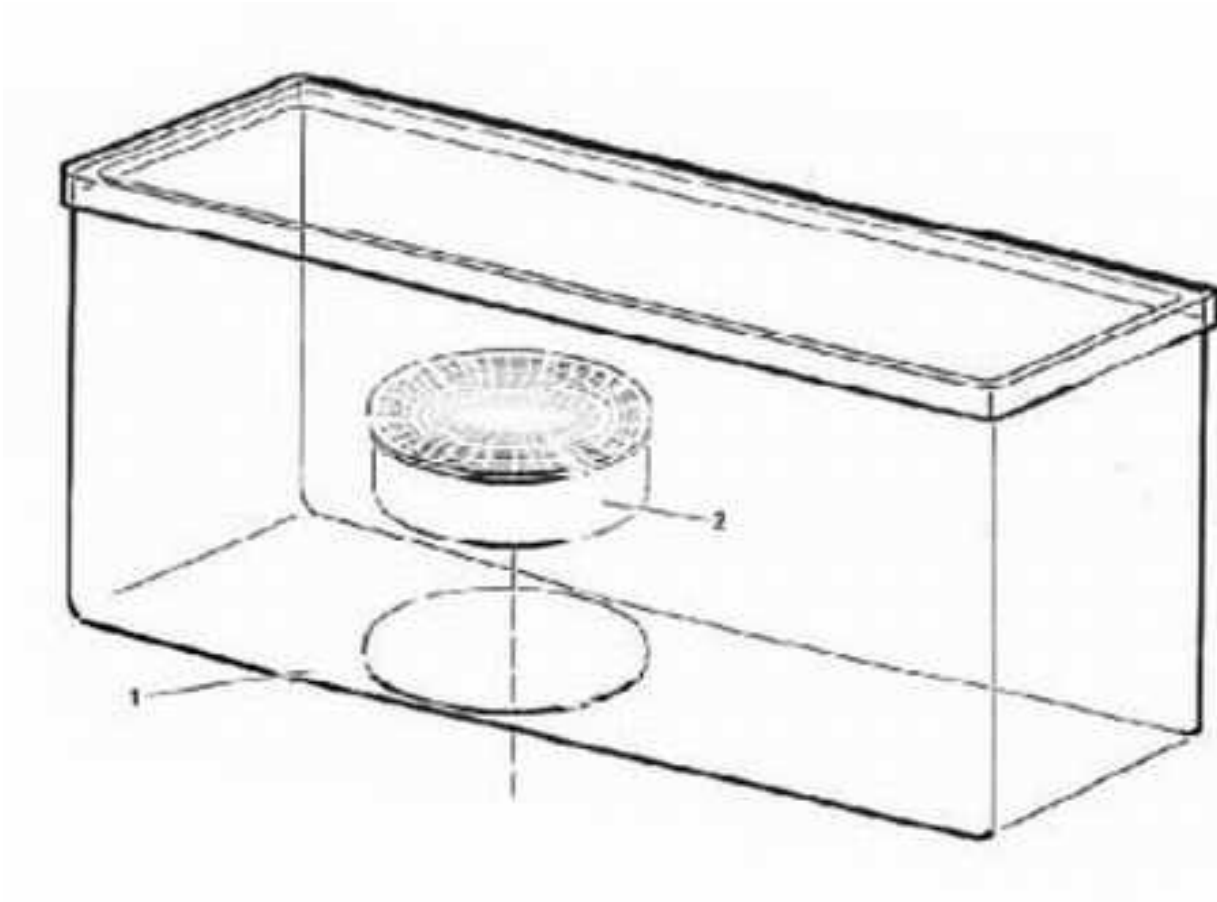
9. water tank



9. water tank

Pos.Nr.	Article description	Article Nr.
*	AUTONOMOUS WATER TANK (FROM PO	0800012010R
1	WATER TANK	0800012005PF
2	WATER TANK CLOSING PIN	0800012009
3	CLOSING PIN SPRING	0800012012
4	TANK CLOSING GASKET SUPPORT	0800012008
5	SILICONE GASKET D.6 CORD 3	GUA0000082
6	SILICONE GASKET DE 062	GUA0002008
7	Cino XS Tank in Tank cover	799041
7	CONTAINER COVER 112 mm. Up to	0230030009
8	FIXED TANK CONNECTION	0800012015
9	TRANSPARENT SILICONE PIPE D.7	TSIL07/11T
10	RUBBER HOLDER DIR. D.10-1/4 M	0100217009
11	24 D.C. 2-WAY VALVE ¼" D. 4.5	0110001078
11a	8W 24 D.C. COIL	0110010065
11b	SLEEVE FOR 2-WAY VALVE D. 4.5	0110010101
11c	CORE WITH SPRING FOR 2-WAY VAL	0110010102
12	SCREW TE M4x10	VIT0000205
13	WASHER D.12 x 4.3 x 1.5	VIT0003301
14	PIPE SPRING	0010020063
15	knee 1/4 Zoll	0600001036

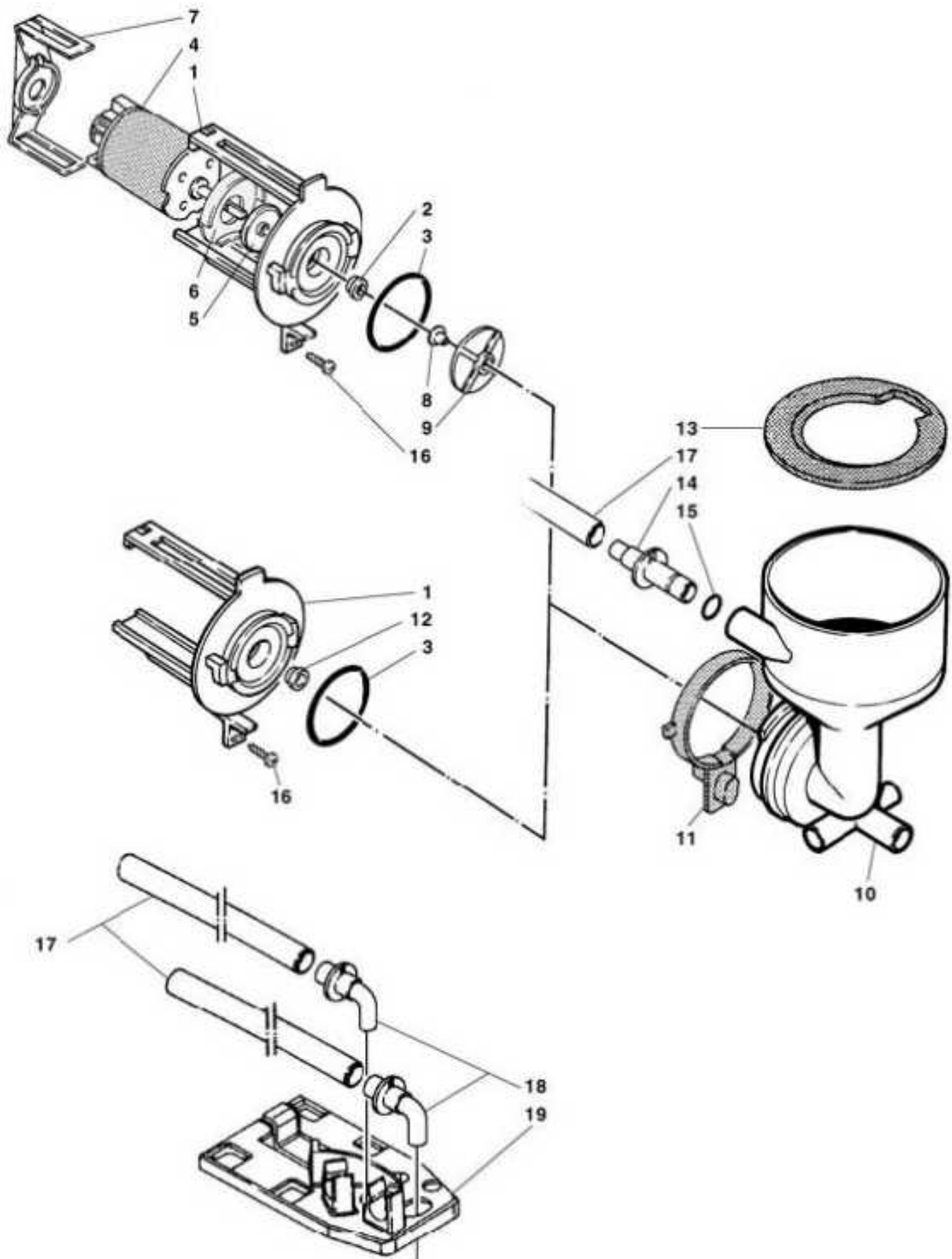
10. tank in tank



10. tank in tank

Pos.Nr.	Article description	Article Nr.
*	Cino XS Tank in Tank cover	799041
1	Cino XS Filtertank without car	799039
2	Cino XS Filter cartridge (Tank in Tank)	799038
3	Cino XS Tank in Tank cover	799041

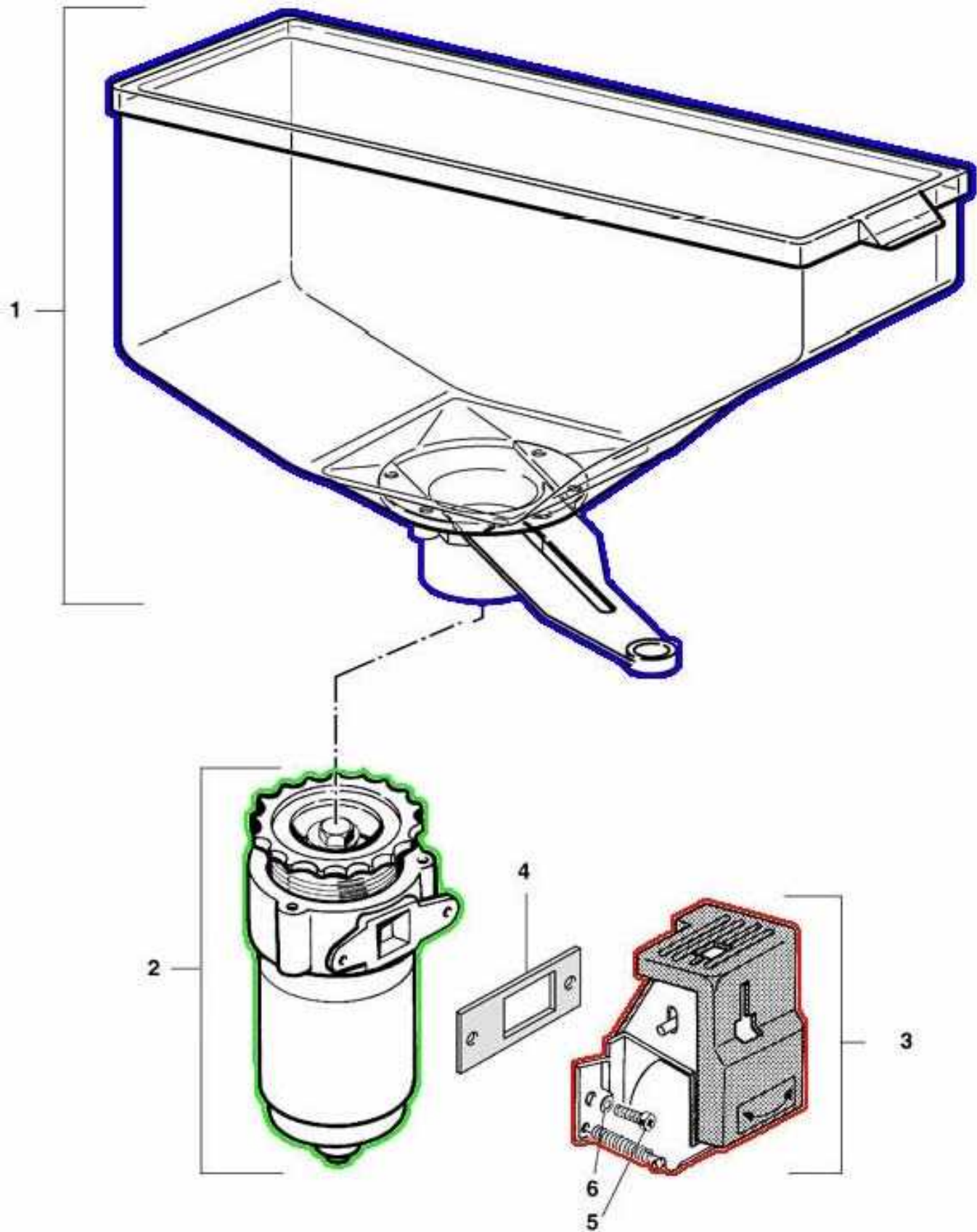
11. Mixerbowl/ aqua portioning system



11. Mixerbowl/ aqua portioning system

Pos.Nr.	Article description	Article Nr.
*	MIXER BASE+MOTOR ASSEMBLY assi	0080100001R
*	MIXER BODY + RING STOPPER (pos	0080100007R
1	MIXER BASE	0080100005
2	MIXER BASE BUSH	0080100015
3	OR 3131	GUA0000084
4	24 V DC MIXER MOTOR SHAFT D.4	0090003023
5	DRIP TRAP FAN	0080100024
6	MIXER COVER ORANGE RAL 2011	0080100023
7	MOTOR HOUSING CONNECTION ORANG	0080100009
8	MIXER SHAFT GASKET (V-RING)	0080100014
9	SMALL FAN MIXER SHAFT D.4	0080100011
10	MIXER BODY WITH INLET	0080100007
11	STOPPER RING ORANGE RAL 2011	0080100006
12	MIXER BASE PLUG	0080100018
13	MIXER TRAP WITHOUT INLET	0080100008
14	MIXER CONNECTION	0080100013
15	SILICONE OR 106	GUA0000085
16	TAPPING SCREW TCB 3.5 x 9.5	VIT0002401
17	TRANSPARENT SILICONE PIPE D.6	TSIL06/09T
18	INGREDIENT PIPE	0010020052
19	SUPPORT FOR PRODUCT PIPE	0010020051

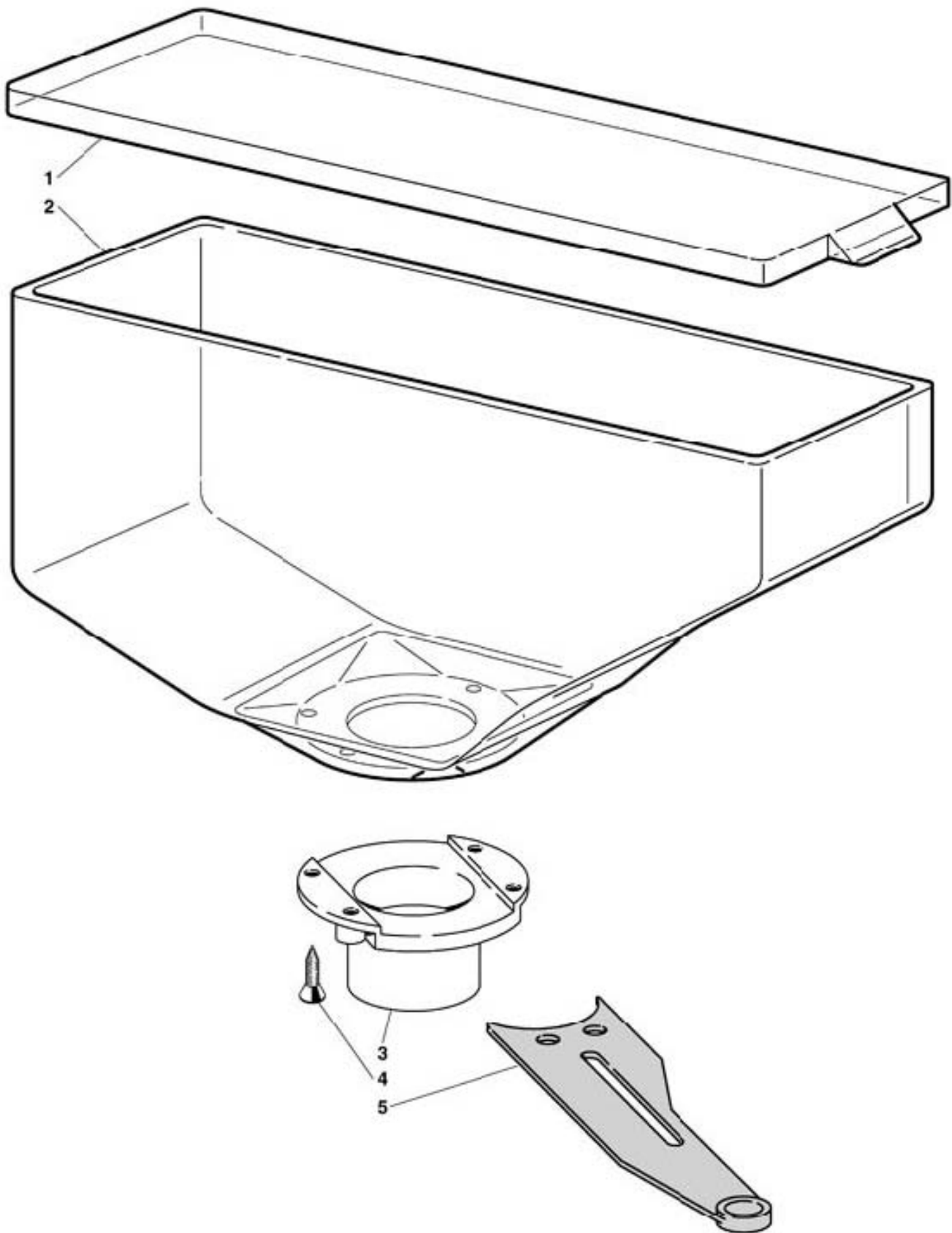
12. CONTAINER BATCHER GRINDER GROUP



12. CONTAINER BATCHER GRINDER GROUP

Pos.Nr.	Article description	Article Nr.
1	COFFEE CONTAINER	0230015158
1	COFFEE CONTAINER ASSEMBLED ass	0230015158R
2	GRINDER GROUP XS/XM/ECO/DIVA	0320004150CL
3	24 V DC COFFEE PLASTIC BATCHER	0350003110CL
3	24 V DC COFFEE PLASTIC BATCHER	0350003310cl
4	MILL-BATCHER PLATE	0320004141
5	M 4x12 TCB SCREW	VIT0000013
6	WASHER tab D. 4.3	VIT0003103

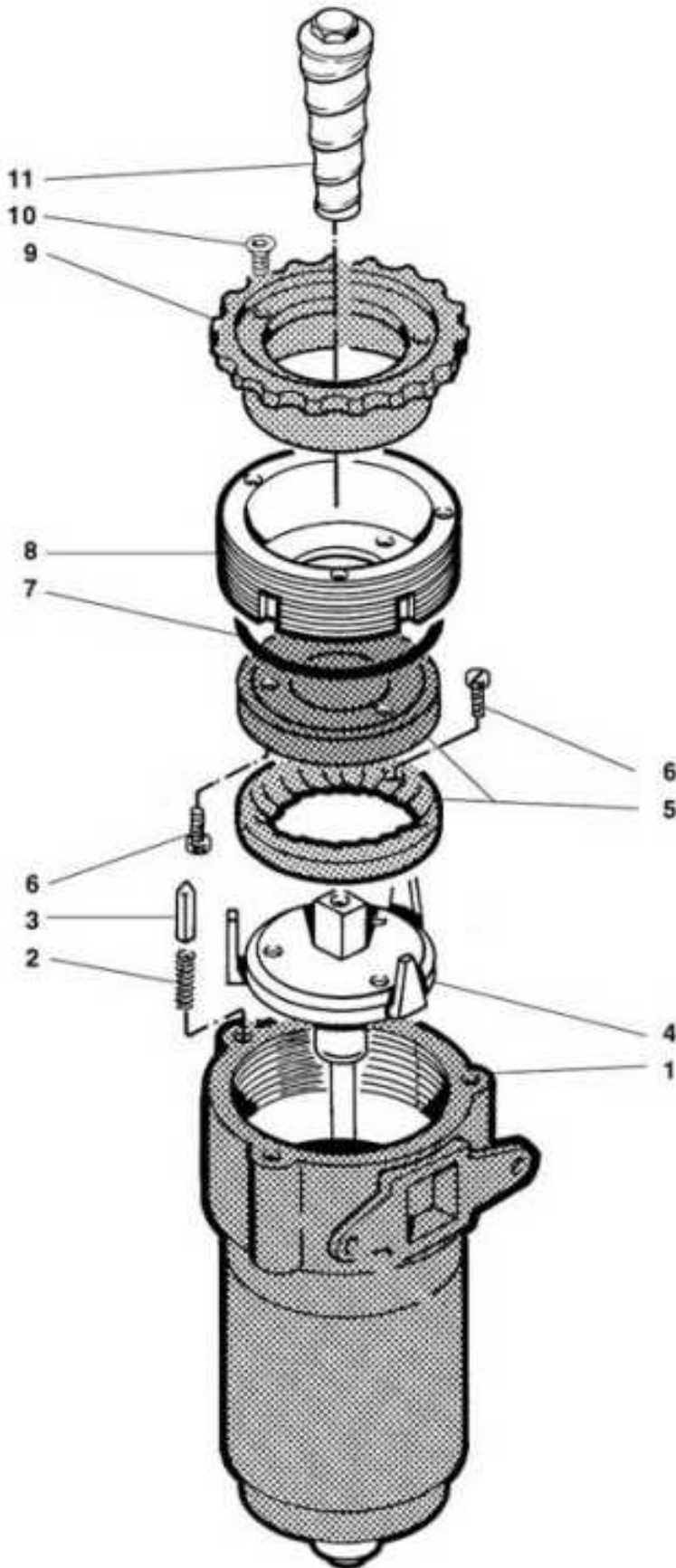
13. Coffee Beans Container



13. Coffee Beans Container

Pos.Nr.	Article description	Article Nr.
1	COFFEE CONTAINER COVER	0230015153
1	COFFEE CONTAINER COVER	0230015159
2	COFFEE CONTAINER	0230015151
2	COFFEE CONTAINER	0230015158
3	COFFEE CONTAINER BOTTOM BLACK	0230015066
4	3.9x 13 TAPPING TCB SCREW	VIT0002101
5	RED COFFEE CONTAINER BLADE ORA	0230015072

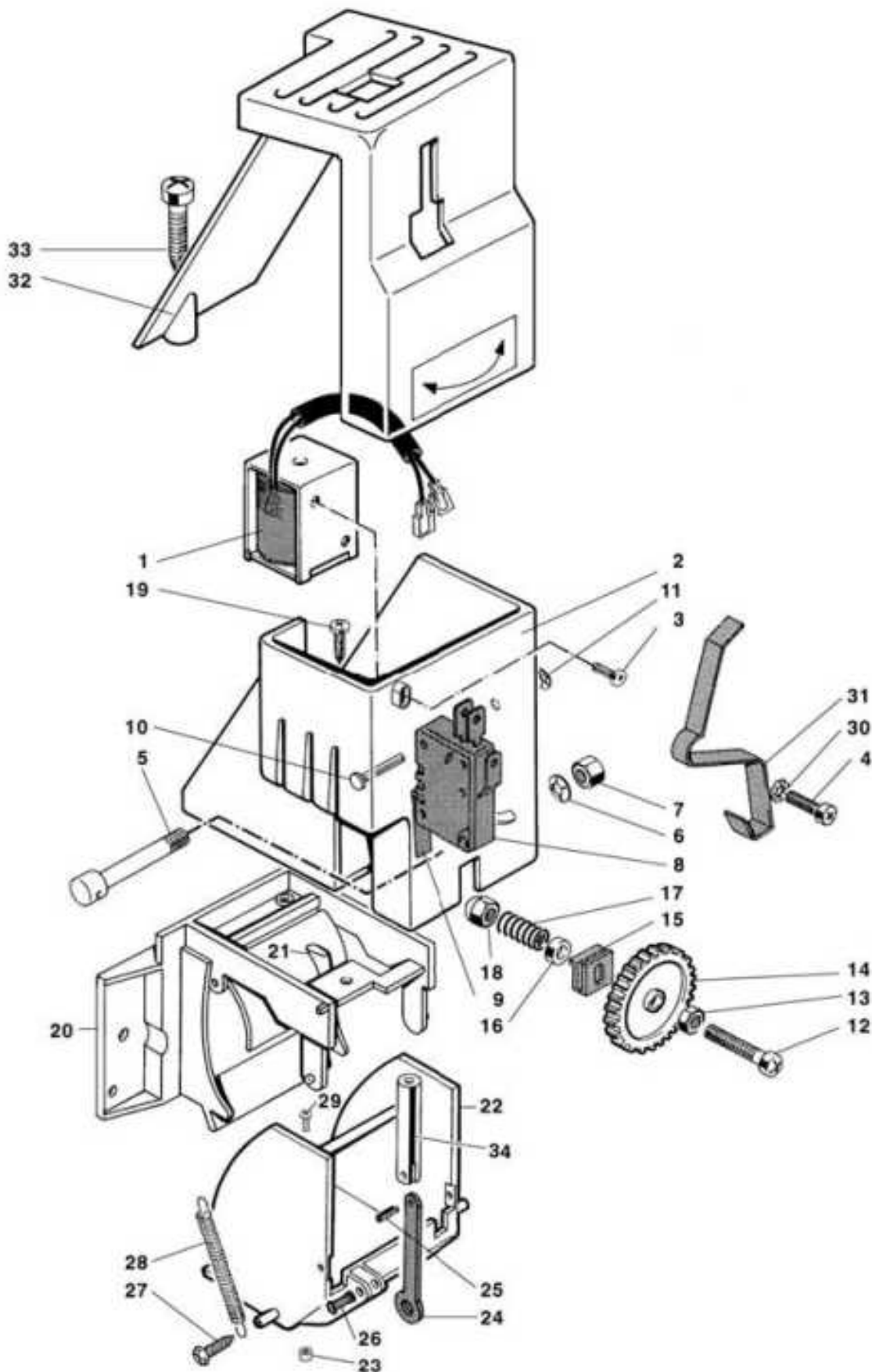
14. VERTICAL MILL GROUP



14. VERTICAL MILL GROUP

Pos.Nr.	Article description	Article Nr.
*	GRINDER GROUP XS/XM/ECO/DIVA	0320004150CL
1	MOTOR	0090002095
2	DOOR SWITCH SPRING	270001023
3	COMPENSATING PIN	0320002011
4	LOWR GRINDER SUPPORT	0320004107
5	GRINDER COUPLE XS/XM PB	0090003020
6	M 4x8 TCB SCREW	VIT0000024
7	3225 OR	GUA0000060
8	UPPER GRINDER SUPPORT	0320004109
9	GRINDER SUPPORT RING NUT	0320004112
10	M 3x10 TSP SCREW	VIT0000102
11	LOWER GRINDER SUPPORT WORM SCR	0320004116

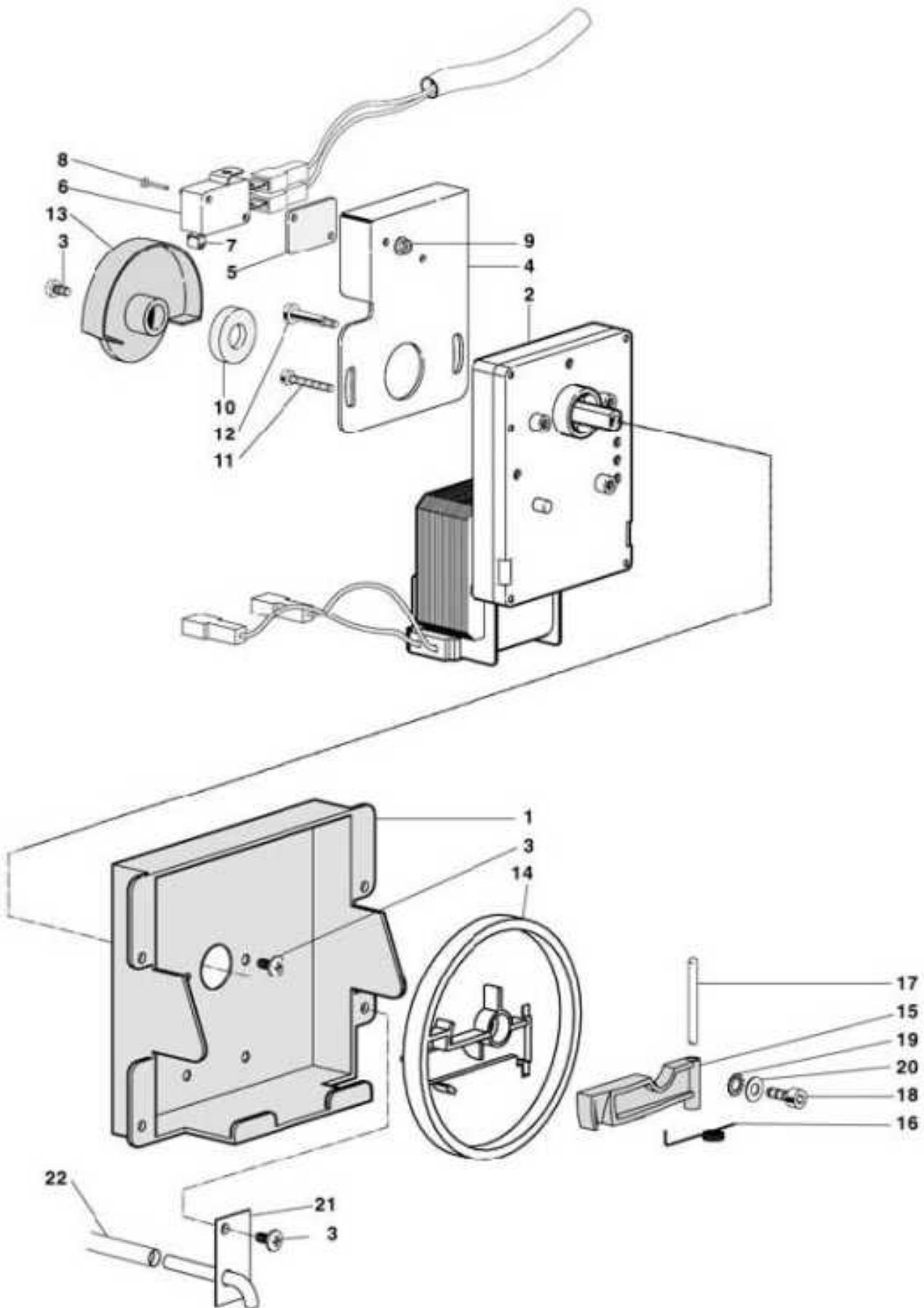
15. BATCHER GROUP



15. BATCHER GROUP

Pos.Nr.	Article description	Article Nr.
*	24 V DC COFFEE PLASTIC BATCHER	0350003110CL
*	24 V DC COFFEE PLASTIC BATCHER	0350003310CL
1	24V DC ELECTROMAGNET W/CABLES	ELE0000056
2	ELECTROMAGNET SUPPORT	0350003108
3	M 3x14 TCB SCREW	VIT0000028
4	M 3x12 TCB SCREW	VIT0000005
5	SETTING PIN	0350003114
6	D.3.2 x 8 x 0.4 SPRING	VIT0009161
7	M.3 SELFLOCKING NUT	VIT0004814
8	1-WAY 16 A 250 V MICROSWITCH	ELE0001522
9	MICRO LEVER	0350003121
10	ROTATION PIN Batcher Group	0350003112
11	D.3 BENZING-QUICKLOCK	VIT0007101
12	M 3x30 TCB SCREW	VIT0000009
13	M3 NUT	VIT0004502
14	WEIGHT SETTING WHEEL BLACK	0350003113
15	CONNECTION TO BE TIGHTENED	0350003122
16	MICRO SPACER	7500102053
17	SETTING SPRING	0350003115
18	M.3 CAP NUT	VIT0004813
19	2.9x 9.5 TAPPING TCB SCREW	VIT0002011
20	BATCHER BODY BLACK	0350003105
21	BLADE Batcher group	0350003106
22	COFFEE FEEDER BLACK	0350003301
23	SHAKER	0350003302
24	ELECTROMAGNET CONNECTING ROD	0350003109
25	15x8 STAINLESS STEEL CYL. PIN	VIT0005009
26	PIN BLACK	0350003111
27	2.9x 6.5 TAPPING TCB SCREW	VIT0002001
28	SPRING	0350003116
29	M 4x8 INOX TCB SCREW	VIT0000032
30	WASHER tab D. 3.2	VIT0003102
31	BATCHER LOCK	0350003119
32	COVER	0350003128
33	TAPPING SCREW TCB 3.5 x 12	VIT0002452
34	COFFEE FEEDER SPACER	0350003118

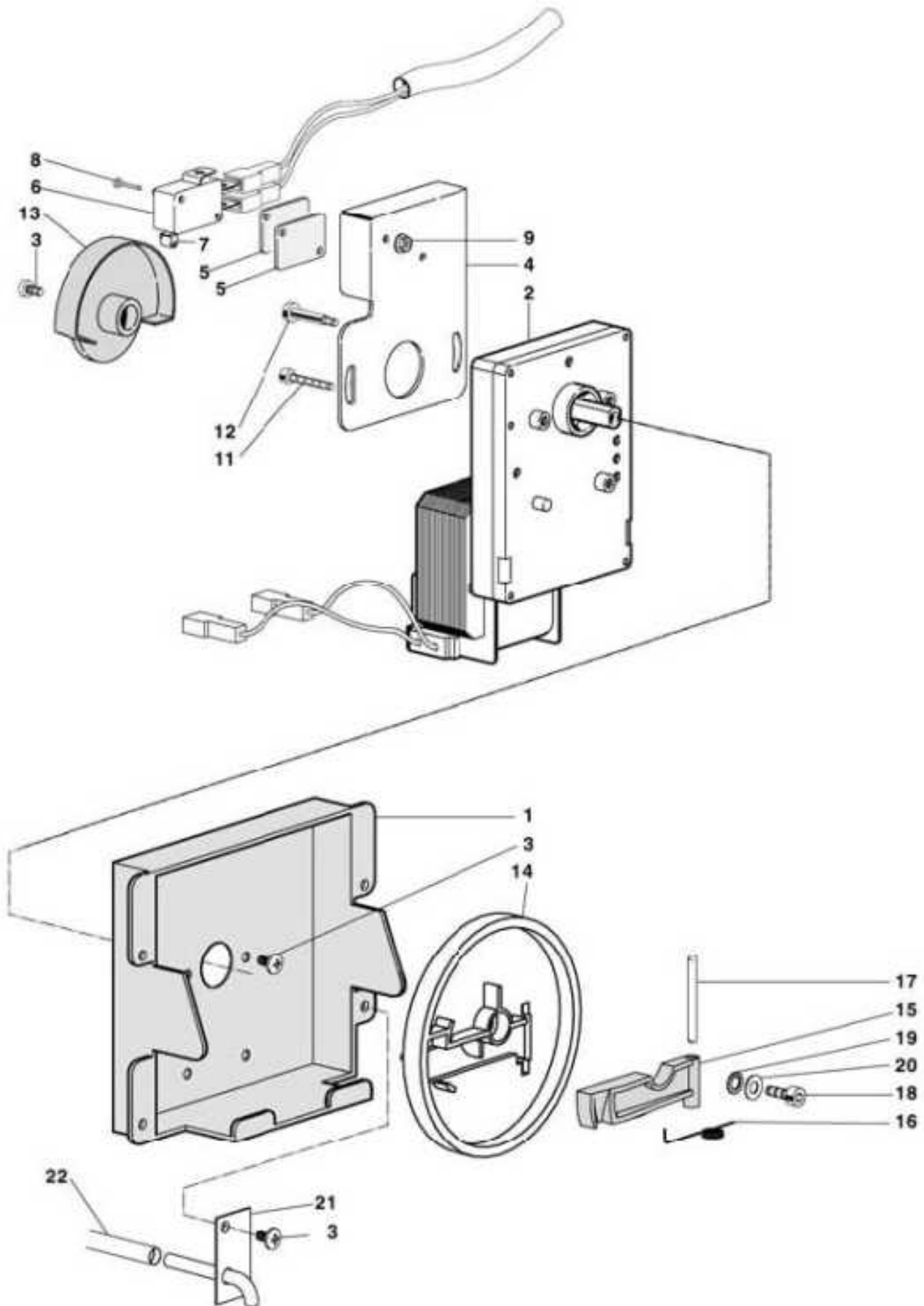
16. MICRO COFFEE GROUP MOTOR SUPPORT up to S/N03109999)



16. MICRO COFFEE GROUP MOTOR SUPPORT up to S/N03109999)

Pos.Nr.	Article description	Article Nr.
1	MICRO GROUP MOTOR SUPPORT	0260010102
2	MICRO GROUP MOTOR	0090002182
3	SCREW TCB M4 x 7	VIT00000030
4	MICRO PLATE	0250008093
5	MICRO SPACER	4600010014
6	1-WAY 16 A 250 V MICROSWITCH	ELE0001522
7	MICRO LEVER	ELE0001904
8	M 3x16 TCB SCREW	VIT00000006
9	M3 FR NUT	VIT0004701
10	MICRO SPACER	0250008091
11	M4 SPECIAL SCREW	0250008092
12	4x25 TCEI SCREW	VIT0005521
13	GROUP READER DISK	0250008043
14	MOTOR CRANK	0250008012
15	HOOKING LEVER	0250008034
16	SPRING FOR HOOKING LEVER	0250008059
17	4 x 40 CYLINDRICAL PIN	VIT0005205
18	4x12 TCEI SCREW	VIT0005508
19	WASHER tab D. 4.3	VIT0003103
20	WASHER D.8 x 4.3 x 0.8	VIT0003003
21	PIPE WITH PLATE	0010020147
22	TRANSPARENT SILICONE PIPE D.7	TSIL07/11T

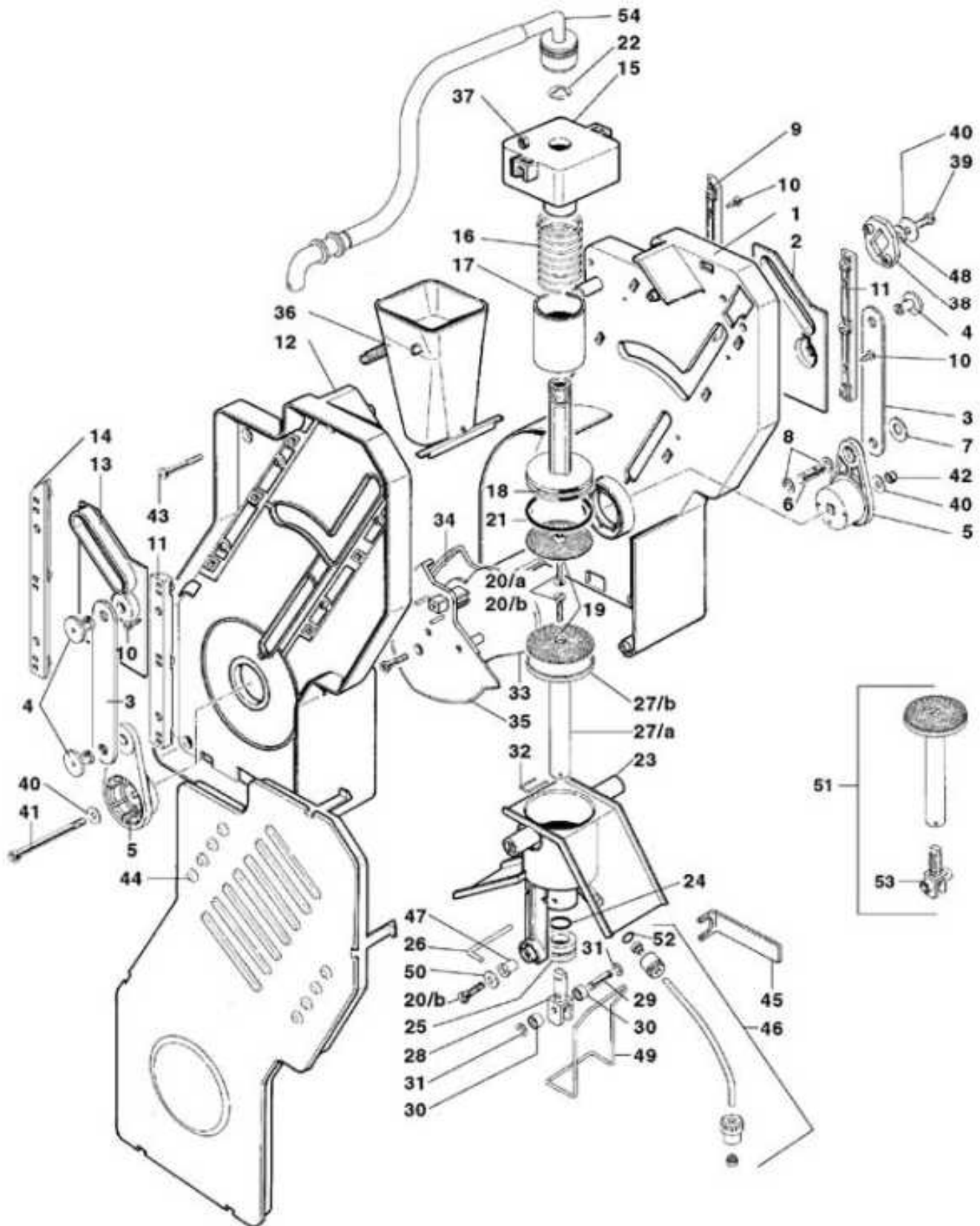
17. MICRO COFFEE GROUP MOTOR SUPPORT from S/N03109999)



17. MICRO COFFEE GROUP MOTOR SUPPORT from S/N03109999)

Pos.Nr.	Article description	Article Nr.
1	MICRO GROUP MOTOR SUPPORT	0260010102
2	MICRO GROUP MOTOR	0090002182
3	SCREW TCB M4 x 7	VIT0000030
4	MICRO PLATE	0250008093
5	MICRO SPACER	4600010014
6	1-WAY 16 A 250 V MICROSWITCH	ELE0001522
7	MICRO LEVER	ELE0001904
8	M 3x16 TCB SCREW	VIT0000006
9	M3 FR NUT	VIT0004701
11	ADJUSTMENT SCREW	0250008113
12	4x10 TCEI SCREW	VIT0005511
13	GROUP READER DISK	0250008043
14	MOTOR CRANK	0250008012
15	HOOKING LEVER	0250008034
16	SPRING FOR HOOKING LEVER	0250008059
17	4 x 40 CYLINDRICAL PIN	VIT0005205
18	4x12 TCEI SCREW	VIT0005508
19	WASHER tab D. 4.3	VIT0003103
20	WASHER D.8 x 4.3 x 0.8	VIT0003003
21	PIPE WITH PLATE	0010020147
22	TRANSPARENT SILICONE PIPE D.7	TSIL07/11T

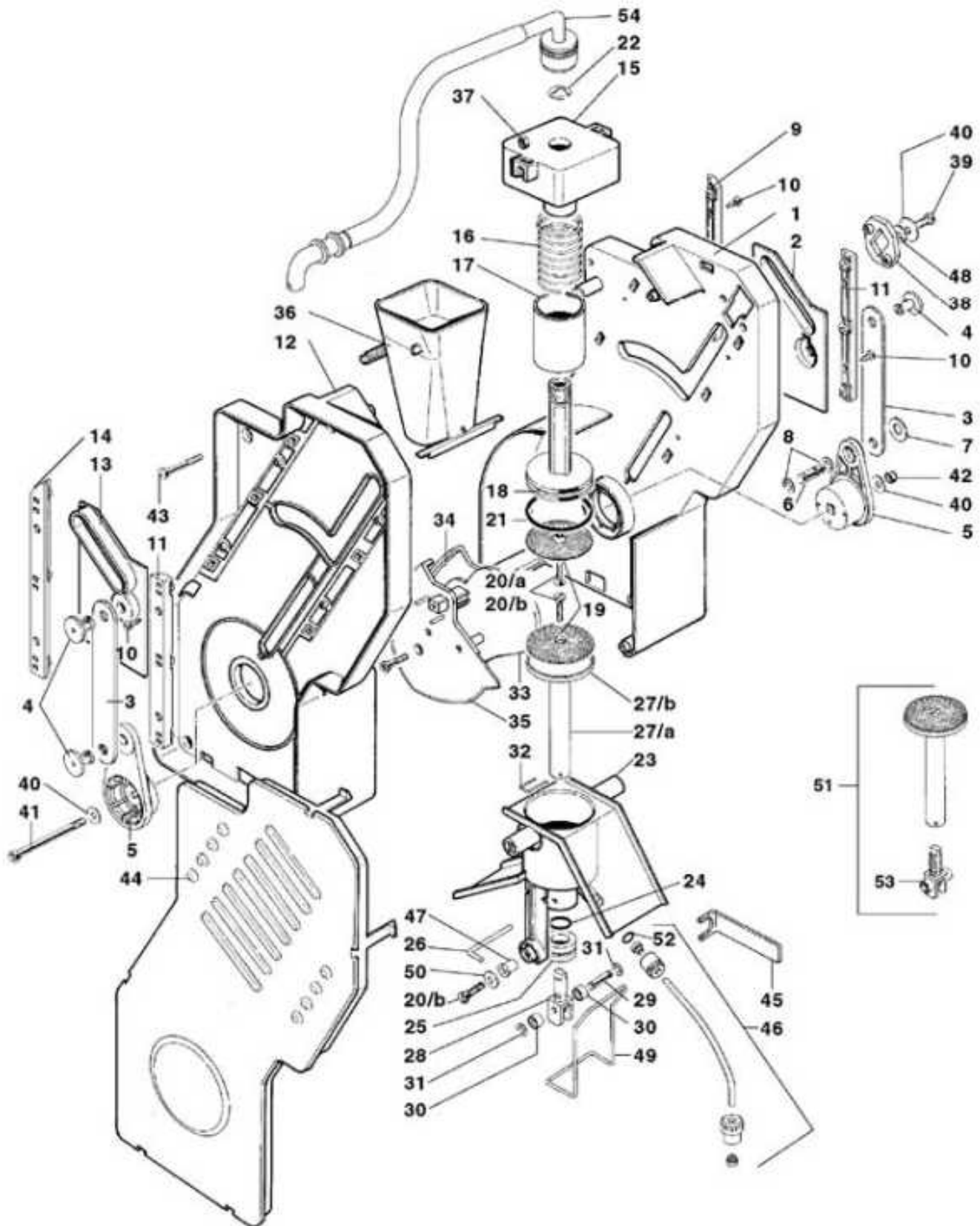
18. MICRO COFFEE GROUP



18. MICRO COFFEE GROUP

Pos.Nr.	Article description	Article Nr.
*	D.36 LOWER FILTER MICROBREWER	0250008108R
*	BREWER FILTER SUPPORT SHFT	0250008209R
*	LOWER FILTER BREWER 9gramm	0250008209IC
*	LOWER FILTER	0250008122
*	D.40 UPPER FILTER ASSEMBLY 9gr	0250008208R
*	MICRO COFFEE GROUP D.40	0250008201r
*	MIKROBRÜHER KPL.AB KW 14/08	0250008231R
*	D.36 UPPER FILTER ASSEMBLY	0250008026R
1	BREWER HOUSING PB cplt.	0250008005R
2		0250008084
3	CONNECTING ROD	0250008009
4	PIN FOR CONNECTING ROD	0250008028
5	R.H. CRANK	0250008011
6	MOTOR CRANK PIN	0250008014
7	ANTIVIBRATION WASHER	0250008042
8	D.5 RADIAL STOP RING	VIT0006515
9	R.H. REAR GUIDE	0250008031
10	TAPPING SCREW T.C.B. 3,5 x 6,5	VIT0002009
11	FRONT GUIDE	0250008033
12	BREWER HOUSING PB cplt.	0250008005r
13	L.H. INFUSION CHAMBER CAM	0250008085
14	L.H. REAR GUIDE	0250008032
15	UPPER FILTER SUPPORT	0250008086
16	UPPER FILTER SPRING	0250008024
17	SPRING COVER PIPE	0250008087
18	D.36 UPPER FILTER ASSEMBLY	0250008026R
19	FILTER D.40	0250008211
19	FILTER	0250008019
20/a	M 3x14 TSP SCREW	VIT0001202
20/b	M 3x8 TSP SCREW	VIT0000121
21	SILICONE 4131 OR	gua0000097
21	SILICONE 4112 OR	GUA0000080
22	D.8 STAINLESS STEEL INSIDE SEE	VIT0006513
23	INFUSION CHAMBER 9 gramm	0250008206R
23	INFUSION CHAMBER FOR COFFEE BE	0250008046
24	SILICONE OR 112	GUA0000065
25	LOWER INLET CUP BUSH	0250008053
26	GLASS BUSH PIN	0250008029
27a	D.36 LOWER FILTER MICROBREWER	0250008108R
27b	D.36 LOWER FILTER MICROBREWER	0250008108R
28	LOWER FILTER ROLL SUPPORT	0250008106
29	ROLL SHAFT	0250008021
30	ROLL SHAFT	0250008022
31	D.3.2 RADIAL STOP RING	VIT0006516
32	GLASS BUSH PIN	0250008029
33	FILTER EJECTION CAM	0250008083
34	R.H. FILTER RECOVERY CAM	0250008016
35	L.H. FILTER RECOVERY CAM	0250008017

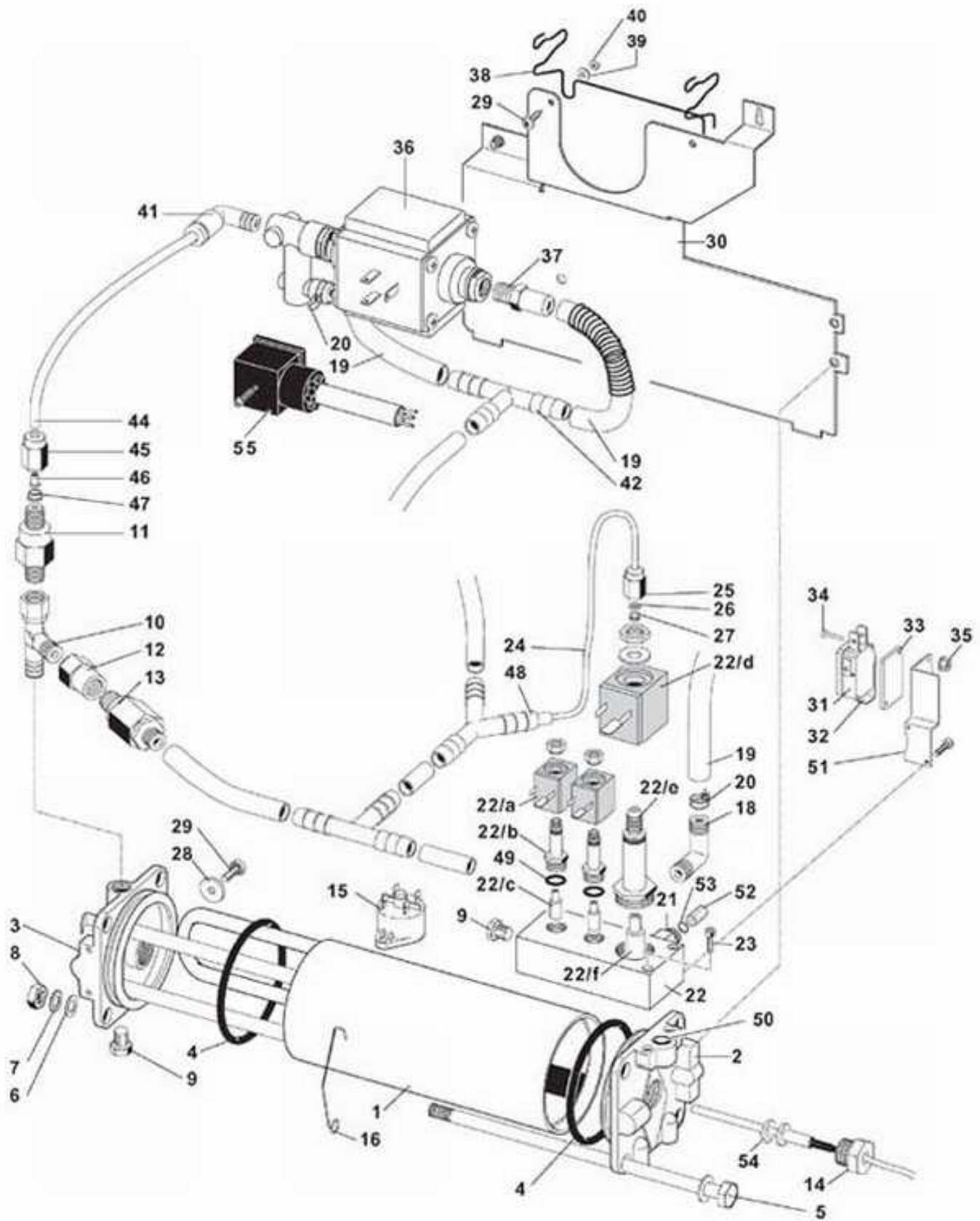
18. MICRO COFFEE GROUP



18. MICRO COFFEE GROUP

Pos.Nr.	Article description	Article Nr.
36	COFFEE CONE	0250008036
36	SPRING	0250008119
37	STAINLESS STEEL NUT M4	VIT0004803
38	SETTING PLATE	0250008035
39	M 4x8 INOX TCB SCREW	VIT0000032
40	4.3x16x1.5 STAINLESS STEEL FLA	VIT0003309
41	4x60 STAINLESS STEEL TCEI SCRE	VIT0005523
42	M 4 SELFLOCKING NUT	VIT0004810
43	SCREW TCCRT 4,2 x 26	VIT0002461
44	L.H. FRAME COVER FOR COFFEE BE	0250008039CM
45	KEY FOR NUT	0250008048
46	WATER INLET PIPER ASSEMBLY	0250008110CL
47	M 3 CONNECTION FOR THERMOPLAST	VIT0009203
48	GROWER SPRING WASHER	VIT0003451
49	SCRAPER	0250008094
50	WASHER FOR CHAMBER CAM	0250008088
51	D.36 LOWER FILTER+ROLL SUPPORT	0250008109R
52	2010 VITON OR	GUA0000061
53	LOWER FILTER ROLL SUPPORT	0250008107R
54	COFFEE OUTLET PIPE ASSEMBLY XS PB	0250008070CL

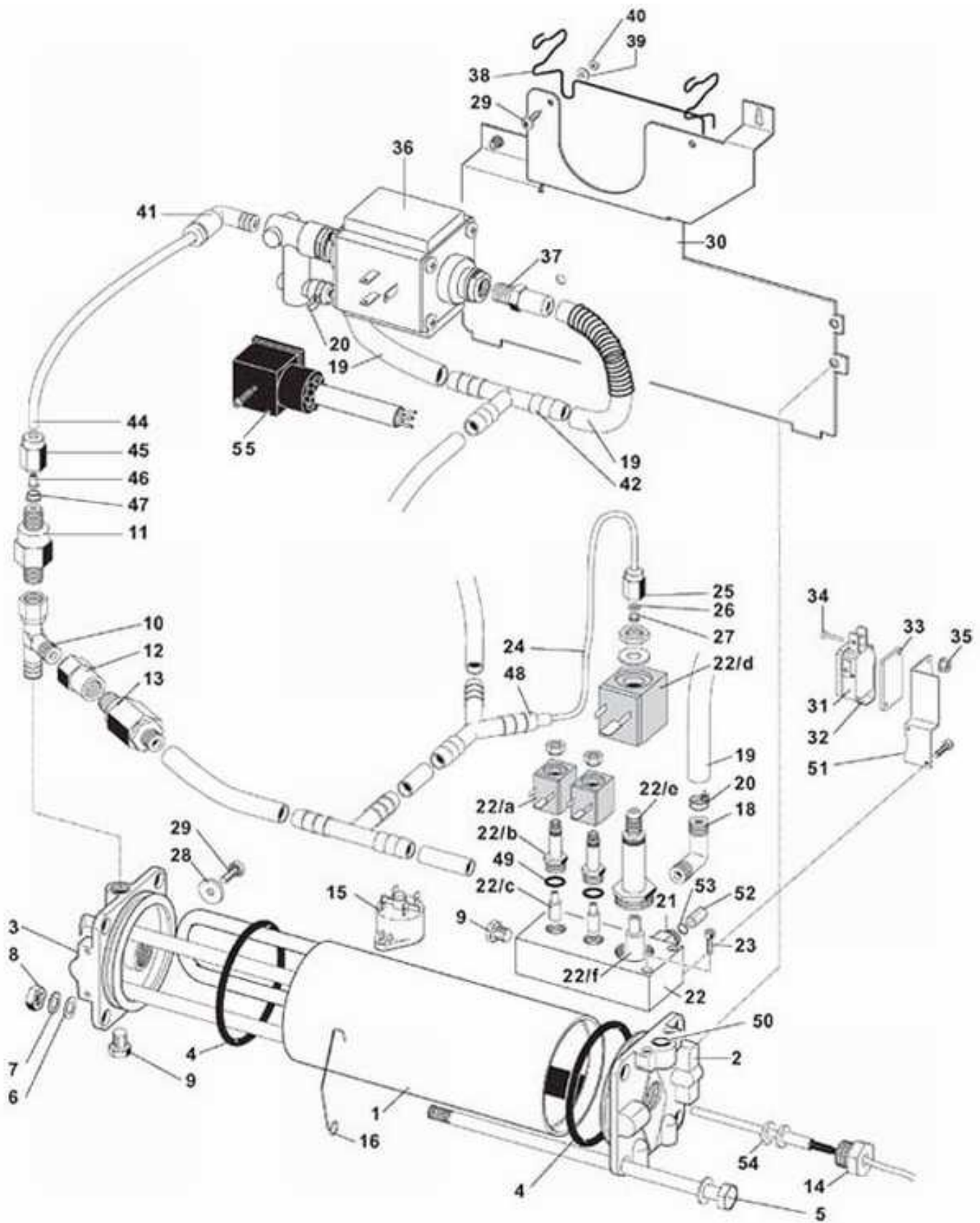
19. BOILER



19. BOILER

Pos.Nr.	Article description	Article Nr.
*	mm 150 BOILER (FROM POS.1 TO P	0600012710R
*	THERMIC PROTECTION	ELE0000915
*	div. Spareparts	177777
1	JACKET MM 150	0600012514
2	FLANGE FOR VALVE	0600012671
3	FLANGE WITH HEATING ELEMENT	0600012701
4	164 VITON OR	GUA0000047
5	TIE-BOLT MM 177	0600012515
6	D. 8.4x16x1.6 WASHER	VIT0003206
7	D. 8.4 GROWER SPRING WASHER	VIT0003402
8	M 8 NUT	VIT0004506
9	PLUG	4600020115
10	MALE T UNION 1/8-6-6	0100001028
11	1/8F - 1/8M INLET NON-RETURN V	0110002008
12	STRAIGHT CONNECTION 1/8F -1/8	0100001007
13	SAFETY VALVE	0110002009
14	TEMPERATURE PROBE XS/XM PB	ELE0000969R
15	120° CLICSON	ELE0009001
16	SAFETY SWITCH SECURING SPRING	250020087
18	ELBOW CONNECTION	250020146
19	TRANSPARENT SILICONE PIPE D.6	TSIL06/09T
20	PIPES CLIP FOR COFFEE BEANS GR	FASC000101
21	OULET CONNECTION H2O 3-WAY VAL	0110003056
22	2 2-WAY VALVE + 1 3-WAY VALVE	0110001087
22a	6W 24 D.C. COIL 70%	0110010062
22b	2-WAY SLEEVE CH 14	0110010123
22c	2-WAY MOBILE CORE ASSEMBLY	0110010124
22d	8W 24 D.C. COIL	0110010065
22e	3-WAY VALVE SLEEVE	0110010035
22f	CORE WITH SPRING FOR 3-WAY VAL	0110010020
23	4x16 TCEI SCREW	VIT0005510
24	PTFE- PIPE 4 X 2 MM	TNAY000501
25	NUT FOR 4-1/8 PIPE FITTING	0100001001
26	D.4 LOCKING RING	0100002001
27	COPPER GASKET	0100003002
28	SYNTHETIC RUBBER D.4.5 SPACER	1600001098
29	SCREW TCB M4 x 7	VIT0000030
30	BOILER SUPPORT	0010020411
31	1-WAY 16 A 250 V MICROSWITCH	ELE0001522
32	BENT MICRO LEVER	0010020412
33	MICRO SPACER	4600010014
34	M 3x16 TCB SCREW	VIT0000006
35	M3 FR NUT	VIT0004701
36	UMBAUKIT ULKA-PUMPE 9,5 BAR	100548
36	AP PUMP XS/XM/XL FLUIDOTECH	0110004002
36	EX5 230V 50 HZ PUMP	0110004041
36	UMBAUKIT ULKA-PUMPE 7 BAR	100547
37	VALVE RUBBER-HOLDER CONNECTION	2500001139

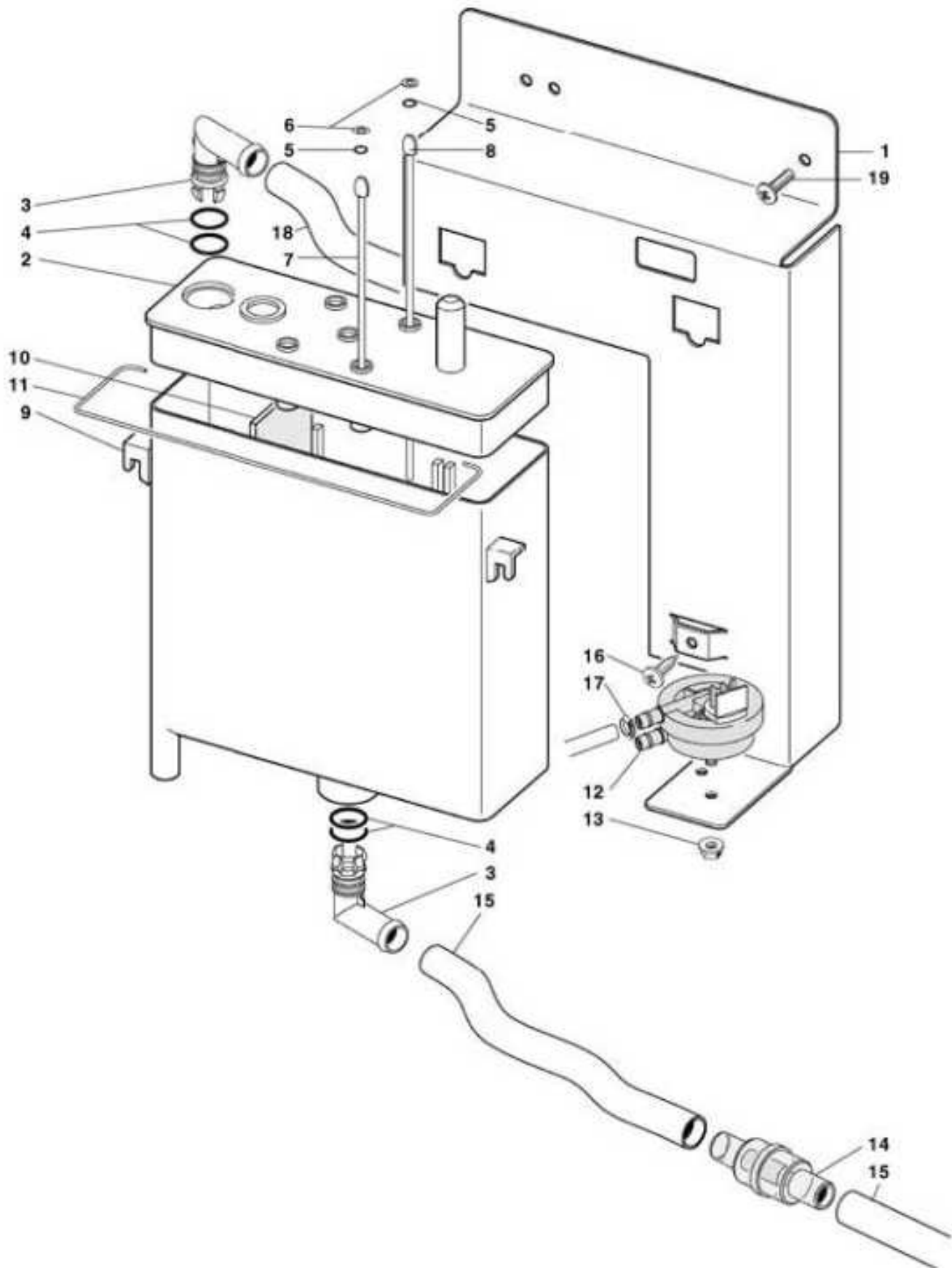
19. BOILER



19. BOILER

Pos.Nr.	Article description	Article Nr.
38	PUMP SUPPORT	0110004020
39	WASHER D.12 x 4.3 x 1.5	VIT0003301
40	NUT M 4	VIT0004503
41	TURNING ELBOW 6-1/4 VITON OR	0100001056
42	TEE UNION	0100003003
44	PTFE - PIPE 4x6 mm	TTEF04/06T
45	NUT FOR PIPE FITTING D.6	0100001002
46	STRENGTHENING BUSH D.4	0100002005
47	LOCKING RING D.6	0100002002
48	Y FITTING	0100001065
49	OR R 990597/N	0110010111
50	OR R 990002/S	0110010112
51	MICRO SUPPORT	0110003059
52	OR SPACER	0110003057
53	2015 OR	GUA0000069
54	TEFLON RING E 12X4,3X1	GUA0005015
55	1 N 4007 DIODE	ELT0005153
55	PUMP CONNECTOR WITH DIODE	ELE0060094
56	MICRO LEVER	0350003121
57	PIPE SPRING	0010020063

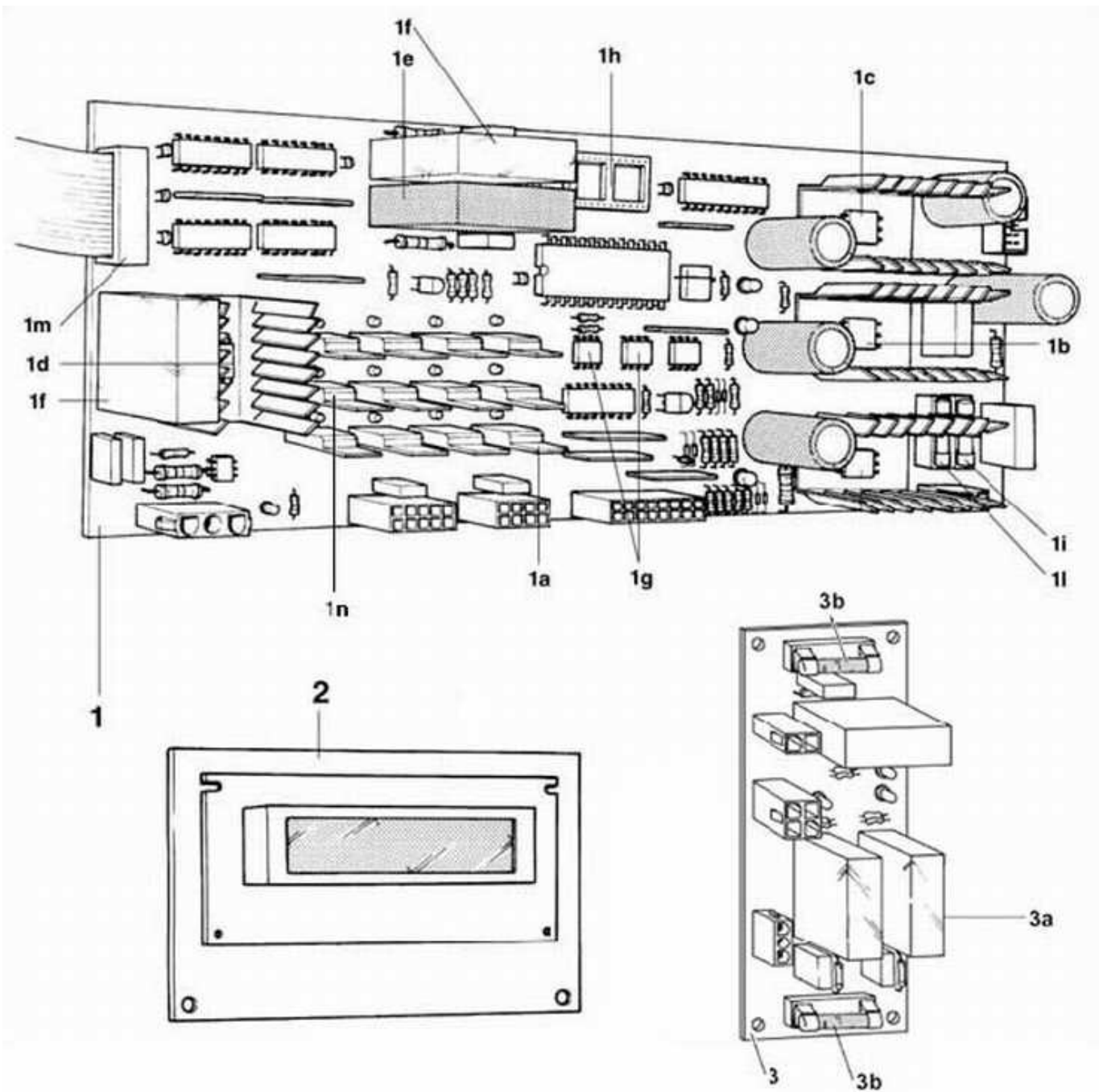
20. WATER INLET PANEL



20. WATER INLET PANEL

Pos.Nr.	Article description	Article Nr.
*	SOLUBLE TANK cplt XS E3	0010020142CL
*	SOLUBLE TANK cplt XS E2	0010020143CL
1	TANK SUPPORT	0010020119
2	TANK COVER	0800009221
3	ELBOW WITH RAPID CONNECTION	0800009211
4	OR 109	GUA0000043
5	2010 VITON OR	GUA0000061
6	3.2x7x0.5 WASHER	VIT0003201
7	PROBE mm 70	800003022
8	PROBE mm 155	800003018
9	SOLUBLE TANK BODY	0800009201
10	TANK INTERNAL WALL	800000010
11	COVER SECURING RING	800000035
12	VOLUME COUNTER W/RUBBERHOLDER	0110007003
12a	crimp contact 3.96 mm for Flow	612123
12b	Empty female bush for Flowmete	612081
13	M3 FR NUT	VIT0004701
14	WATER FILTER	0109002002
15	TRANSPARENT SILICONE PIPE D.6	TSIL06/09T
16	TAPPING SCREW T.C.B. 3,5 x 6,5	VIT0002009
17	COLLAR	FASC000210
18	TRANSPARENT SILICONE PIPE D.7	TSIL07/11T
19	SCREW TCB M4 x 7	VIT0000030

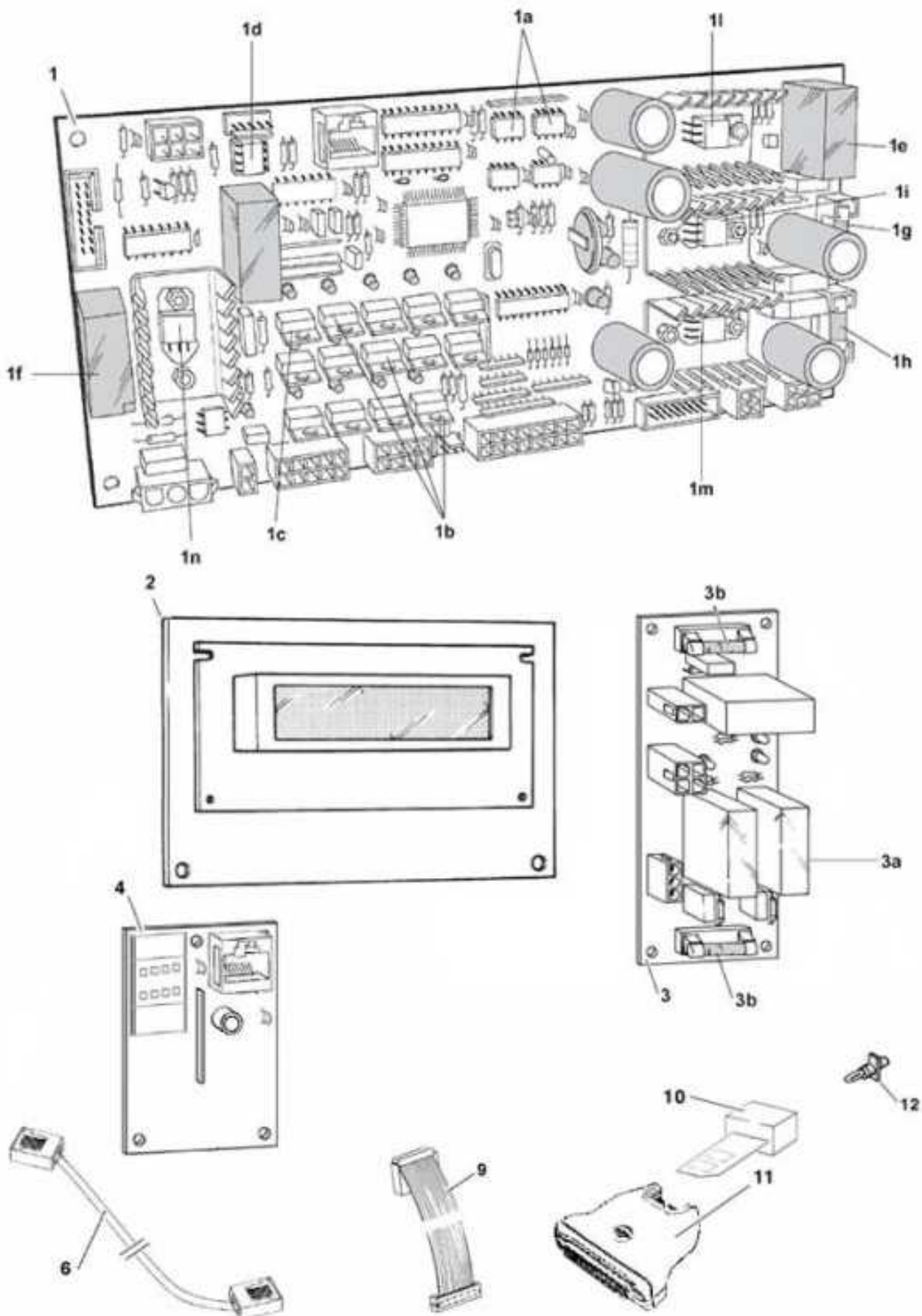
21. CPU EPROM (up to S/N 03259999)



21. CPU EPROM (up to S/N 03259999)

Pos.Nr.	Article description	Article Nr.
1	CPU/ POWER XS	SCH0002640
1a	TRANSISTOR BDW93C	ELT0004020
1b	INTEGRATED CIRCUIT 7812	ELT0030305
1c	INTEGRATED CIRCUIT 7805	ELT0030301
1d	TRIAC TRIAC 16 A	ELT0004209
1e	2-WAY 24V D.C. 10A RELAY	ELT0007159
1f	1-WAY 24V D.C. 10A RELAY	ELT0007151
1g	EARAM 93C56	ELT0030064
1h	EPROM 27C512	ELT0030059
1i	5A SLOW-BLOW GLASS FUSE 5x20	ELE0003028
1l	2A RAPID GLASS FUSE 5x20	ELE0003025
1m	RIBBON CABLE 16P.	ELT0030471
1n	TRANSISTOR VNP14NV04-E ST	ELT0004028
2	DISPLAY	SCH0005280
3	XS-E EXPANSION	SCH0003240
3a	1-WAY 24V D.C. 10A RELAY	ELT0007151
3b	5A SLOW-BLOW GLASS FUSE 5x20	ELE0003028

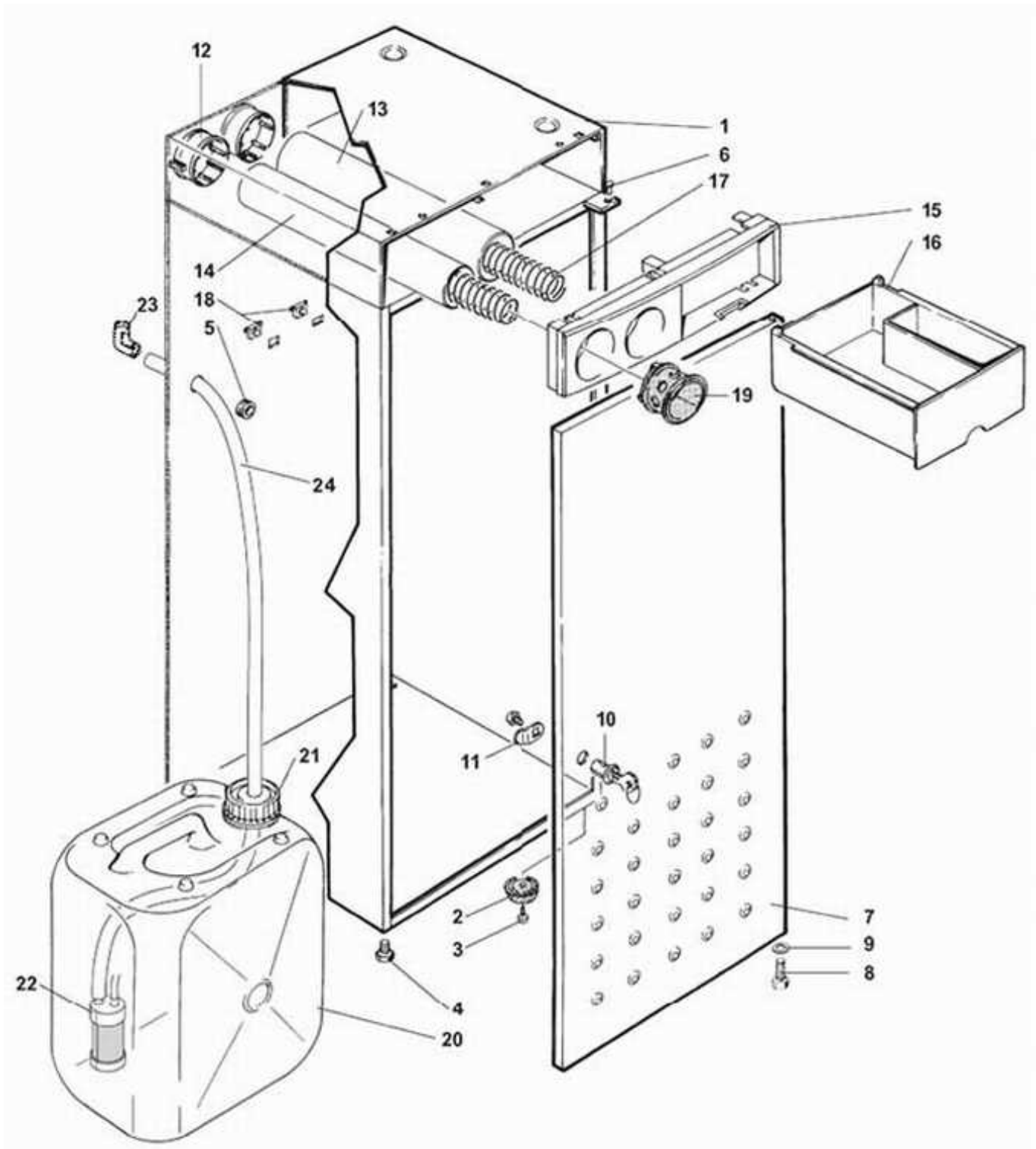
22. CPU Flashcard (from S/N 03260001)



22. CPU Flashcard (from S/N 03260001)

Pos.Nr.	Article description	Article Nr.
*	FLASH CARD SET	500008
1	CPU/ POWER W/HOLDER	SCH0004400
1a	EA RAM 25LC640	ELT0030067
1b	TRANSISTOR VNP14NV04-E ST	ELT0004028
1c	TRANSISTOR BDW93C	ELT0004020
1d	MCT INTEGRATED 6 Q.T.	ELT0030140
1e	2-WAY 24V D.C. 10A RELAY	ELT0007159
1f	1-WAY 24V D.C. 10A RELAY	ELT0007151
1g	5A SLOW-BLOW GLASS FUSE 5x20	ELE0003028
1h	2A RAPID GLASS FUSE 5x20	ELE0003025
1i	TRANSISTOR BTS 141	ELT0004026
1l	INTEGRATED CIRCUIT 7812	ELT0030305
1m	INTEGRATED CIRCUIT 7805	ELT0030301
1n	TRIAC TRIAC 16 A	ELT0004209
2	DISPLAY	SCH0005280
3	XS-E EXPANSION	SCH0003240
3a	1-WAY 24V D.C. 10A RELAY	ELT0007151
3b	5A SLOW-BLOW GLASS FUSE 5x20	ELE0003028
4	FLASH MEMORY INTERFACE COVER	0020040238
4	Interface Box FlashCard	500007
4	FLASH 2004 XM From serial 0518	SCH0006100
6	CPU/POWER CONNECTOR 8LINES PHO	ELT0030564
9	RIBBON CABLE 16P.	ELT0030471
9	RIBBON CABLE 10P.	ELT0030477
10	RHEA FLASH MEMORY	ELT0030068
11	FLSH CARD READER 24PIN SUB D	ELT0030069R
11	Flashcard Twincard Set 3.5 B	KIT100110
12	BOARD SUPPORT	ELE0062008
12	BOARD SUPPORT	ELE0062008

23. BASE



23. BASE

Pos.Nr.	Article description	Article Nr.
*	IMMERSION PUMP KIT	100520
*	CINO Aqua-Modul + Canister 20L	100501
1	FLOOR-STANDING CABINET	0010020316
2	PLASTIC FOOT	GUA0011001
3	TAPPING SCREW TCB 3.5 x 9.5	VIT0002401
4	SCREW TE M8x25	VIT0000215
5	MEMBRANE CORE HITCH Ø 21	GUA0010502
6	DOOR HINGE UPPER PIN	0010020313
7	DOOR FOR FLOOR-STANDING CABINE	0010020317
8	SCREW TE M4x10	VIT0000205
9	WASHER D.8 x 4.3 x 0.8	VIT0003003
10	BOX 5 RAPID EXTENSION LOCK	SER0000010
11	DOOR LOCK BRACKET TYPE 6	SER0001008
12	CUP TUBE SUPPORT	0010020324
13	CUP GUIDING TUBE DIAM. 70	0010020325
14	CUP GUIDING TUBE DIAM. 57	0010020326
15	FRONT COVER FOR CABINET	0010020311
16	FRONT COVER DRAWER	0010020312
17	CUP PUSHING SPRING	0010020334
18	NUT IN RETAINER M4	VIT0009104
19	REDUCTION FOR CUPS D.57	0010020318
20	20 LT. CANISTER	CON0000304
21	CANISTER COVER for 20L CANISTE	CON0000305
22	PUMP AQUAMODULE 24V/DC	0013657900
23	TGV PUMP ELBOW	0100003013
24	TRANSPARENT SILICONE PIPE D.7	TSIL07/11T

FAX – Order

for Spare parts

to
servomat steigler
Robert-Bosch-Str. 3
89179 Beimerstetten

Date: _____

Page: _____ from: _____

Fax-No.: +49-(0)7348-9566-25 **Customer- No.:**

Did your address change since the last order? yes no

Quantity	Article-Number	Description
_____	_____	_____
_____	_____	_____
_____	_____	_____
_____	_____	_____
_____	_____	_____
_____	_____	_____
_____	_____	_____
_____	_____	_____
_____	_____	_____
_____	_____	_____
_____	_____	_____
_____	_____	_____
_____	_____	_____
_____	_____	_____
_____	_____	_____
_____	_____	_____
_____	_____	_____
_____	_____	_____
_____	_____	_____
_____	_____	_____
_____	_____	_____
_____	_____	_____
_____	_____	_____

Delivery address equal invoice address yes no

If no – Delivery address :

Firmstamp/Date/Signature

Your name: _____
Please write legibly

Your Service and Consulting Partner