



● cafe

Cino XS SM

Sparepart book

Release: 31.07.2008

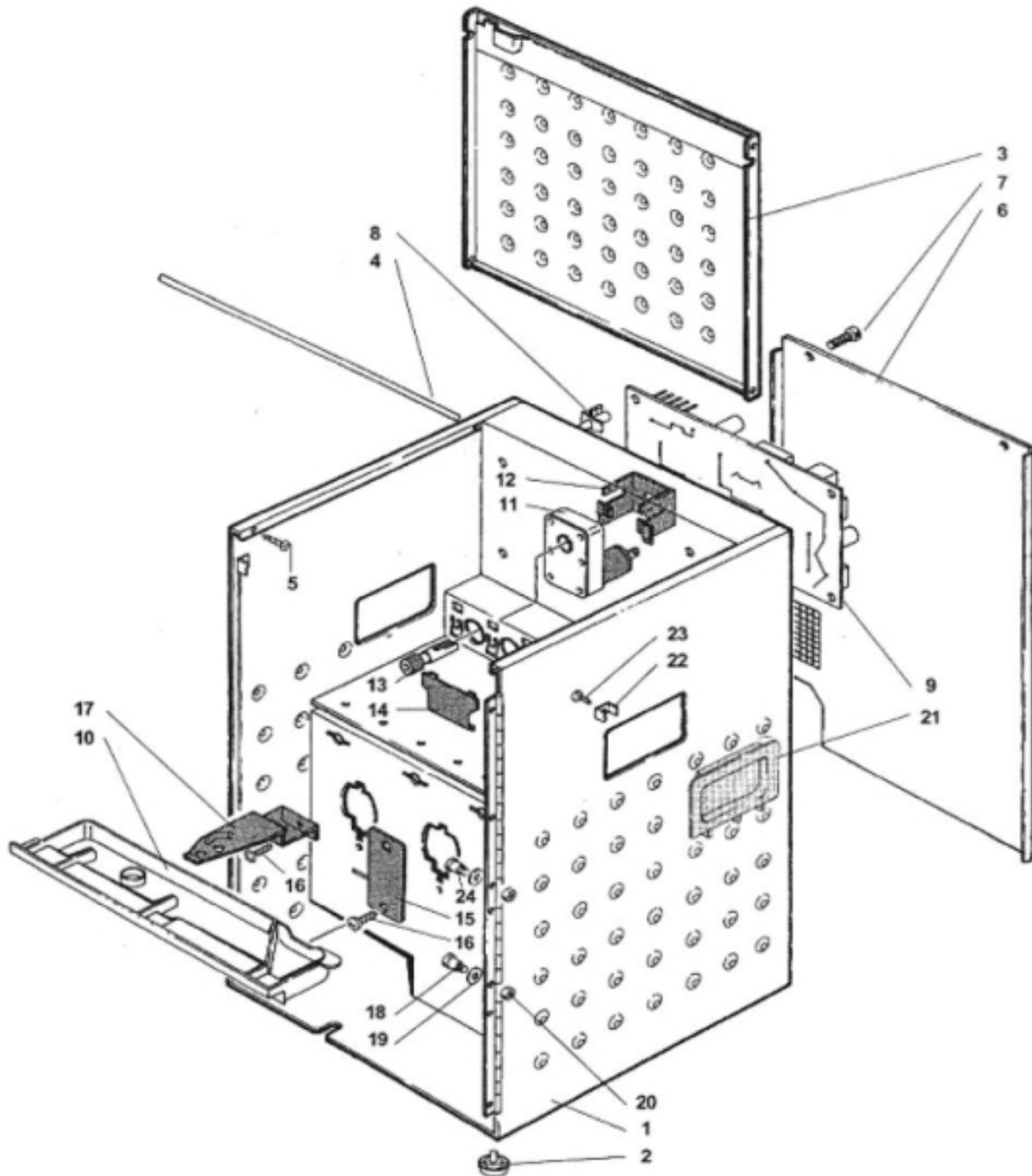
Automatically generated at 15.10.2008



Table of content

1. cabinet front inside (up to S/N 0201999)- exploded diagramm	1
1. cabinet front inside (up to S/N 0201999)- Article List.....	2
2. cabinet front inside (up to S/N 03279999)- exploded diagramm	3
2. cabinet front inside (up to S/N 03279999)- Article List.....	4
3. cabinet front inside (starting from S/N 03279999)- exploded diagramm	5
3. cabinet front inside (starting from S/N 03279999)- Article List.....	6
4. cabinet rear inside (up to S/N 0201999)- exploded diagramm	7
4. cabinet rear inside (up to S/N 0201999)- Article List	8
5. cabinet rear inside (starting from S/N 0202001)- exploded diagramm	9
5. cabinet rear inside (starting from S/N 0202001)- Article List	10
6. door (up to S/N 0201999)- exploded diagramm	11
6. door (up to S/N 0201999)- Article List.....	12
7. door (up to S/N 03279999)- exploded diagramm	13
7. door (up to S/N 03279999)- Article List.....	14
8. door (starting from S/N 032800001)- exploded diagramm	15
8. door (starting from S/N 032800001)- Article List.....	16
9. products container- exploded diagramm	17
9. products container- Article List.....	18
10. water tank- exploded diagramm	19
10. water tank- Article List.....	20
11. tank in tank- exploded diagramm	21
11. tank in tank- Article List.....	22
12. boiler (up to S/N 0001999)- exploded diagramm	23
12. boiler (up to S/N 0001999)- Article List.....	24
13. boiler (starting from S/N 0002001)- exploded diagramm	25
13. boiler (starting from S/N 0002001)- Article List.....	26
14. Mixerbowl/ aqua portioning system (till S/N 0201999)- exploded diagramm	27
14. Mixerbowl/ aqua portioning system (till S/N 0201999)- Article List.....	28
15. Mixerbowl/ aqua portioning system (from S/N 0202001)- exploded diagramm	29
15. Mixerbowl/ aqua portioning system (from S/N 0202001)- Article List.....	30
16. CPU E-Prom (till S/N 03279999)- exploded diagramm	31
16. CPU E-Prom (till S/N 03279999)- Article List.....	32
17. CPU Flashcard (from S/N 03280001)- exploded diagramm	33
17. CPU Flashcard (from S/N 03280001)- Article List	34
18. XS-Base- exploded diagramm	35
18. XS-Base- Article List	36
Orderfax-Form	37

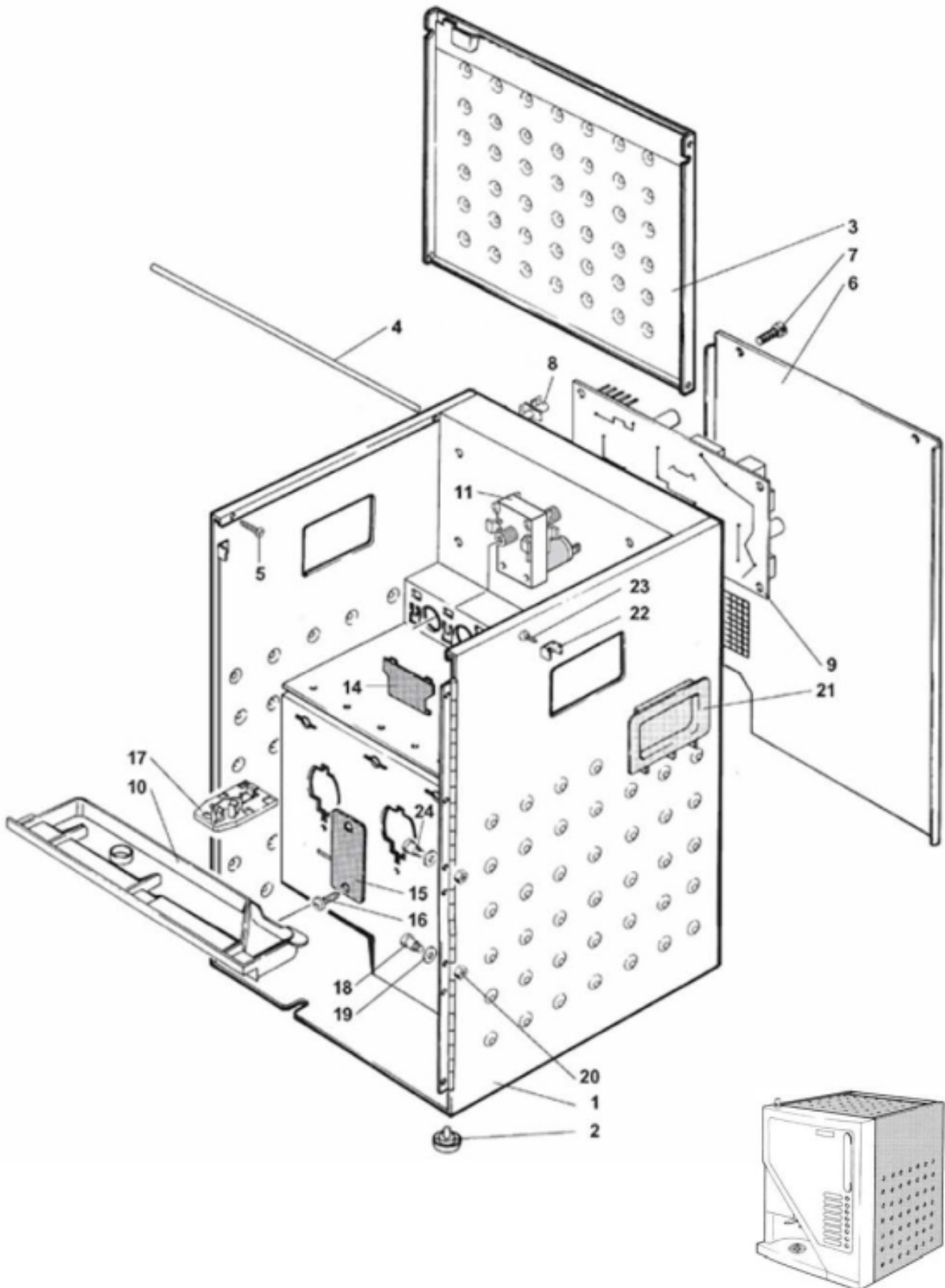
1. cabinet front inside (up to S/N 0201999)



1. cabinet front inside (up to S/N 0201999)

Pos.Nr.	Article description	Article Nr.
1	CABINET STRUCTURE Up to serial	0010020005
2	D.25 SELFLOCKING FEET WITH PIN	GUA0011011
3	UPPER COVER	0010020021
4	SHAFT UPPER COVER	0010020022
5	TAPPING SCREW T.C.B. 3,5 x 6,5	VIT0002009
6	REAR DOOR	0010020017R
7	SCREW TCB M4 x 7	VIT0000030
8	BOARD SUPPORT	ELE0062008
9	CPU/ POWER XS	SCH0002640
10	2-HOLE EXHAUST DRAWER Up to se	0010020016
11	MR NCJM2480-X 24VDC	0090002113
12	GEAR MOTOR SUPPORT	0010020031
13	Z18 D.15 LONG SHAFT	0090002112
14	GEAR MOTOR MASK	0010020029NA
15	MIXER MASK	0010020028NA
16	TAPPING SCREW TCB 3.5 x 9.5	VIT0002401
17	PRODUCT PIPES SUPPORT	0010020053
18	PLASTIC COIN BOX LONG SPACER	0020035125
19	WASHER D.8 x 4.3 x 0.8	VIT0003003
20	NUT M 4	VIT0004503
21	HANDLE	0010020026NA
22	SECURING CONNECTION	4600010012
23	TAPPING SCREW TCB 3.5 x 12	VIT0002452
24	PLASTIC COIN BOX SHORT SPACER	0020035124

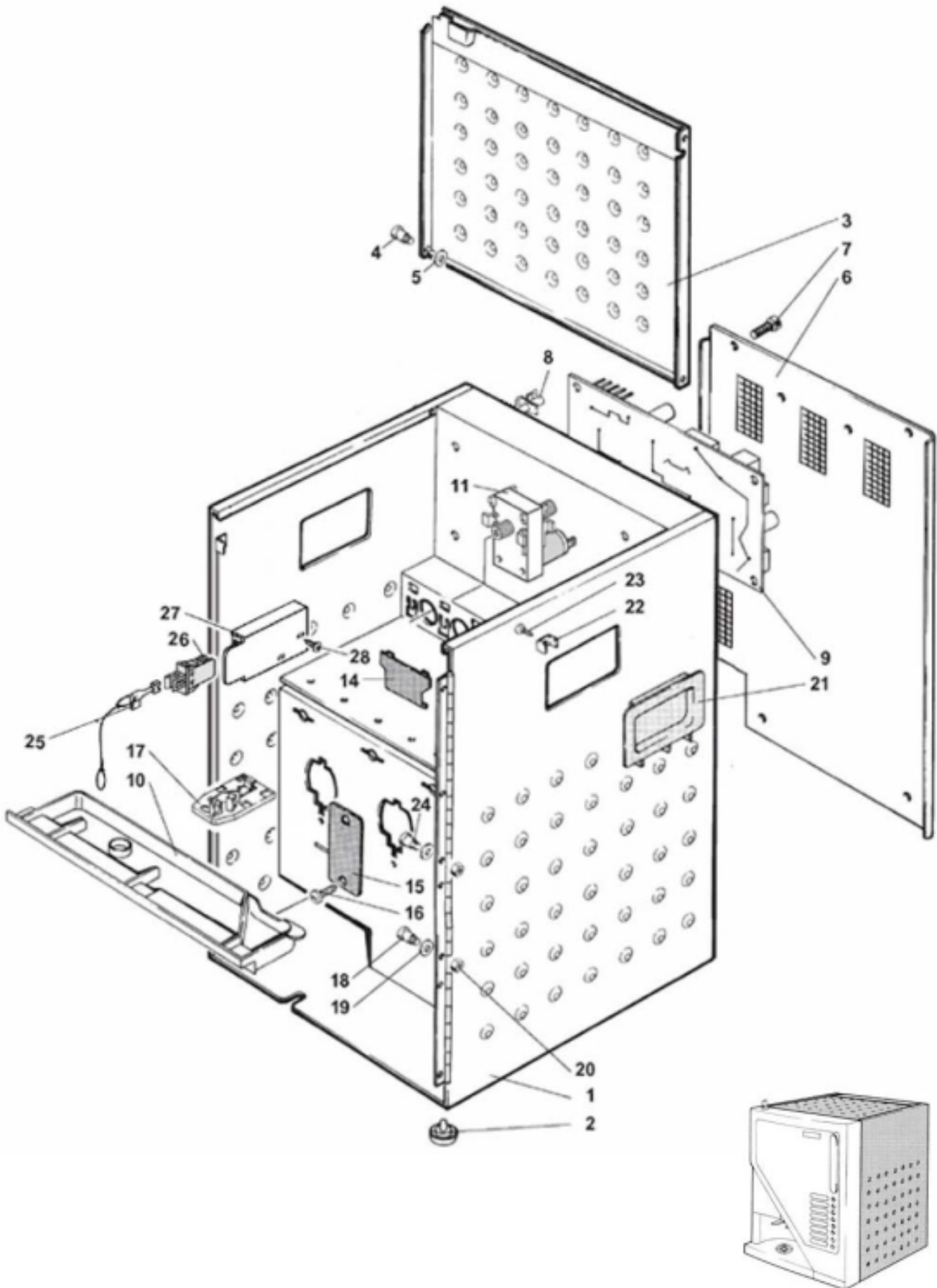
2. cabinet front inside (up to S/N 03279999)



2. cabinet front inside (up to S/N 03279999)

Pos.Nr.	Article description	Article Nr.
1	CABINET STRUCTURE Up to serial	0010020005
2	D.25 SELFLOCKING FEET WITH PIN	GUA0011011
3	UPPER COVER CABINET from S/N 0202xxxx	0010020766
4	SHAFT UPPER COVER	0010020022
5	TAPPING SCREW T.C.B. 3,5 x 6,5	VIT0002009
6	REAR DOOR up to 0201999	0010020164R
7	SCREW TCB M4 x 7	VIT0000030
8	BOARD SUPPORT	ELE0062008
9	CPU/ POWER XS	SCH0002640
10	EXHAUST DRAWER From serial 020	0010020072
11	MR NCJM2480-X 24VDC	0090002113
14	GEAR MOTOR MASK	0010020029NA
15	MIXER MASK	0010020028NA
16	TAPPING SCREW TCB 3.5 x 9.5	VIT0002401
17	SUPPORT FOR PRODUCT PIPE	0010020051
18	PLASTIC COIN BOX LONG SPACER	0020035125
19	WASHER D.8 x 4.3 x 0.8	VIT0003003
20	NUT M 4	VIT0004503
21	HANDLE	0010020026NA
22	SECURING CONNECTION	4600010012
23	TAPPING SCREW TCB 3.5 x 12	VIT0002452
24	PLASTIC COIN BOX SHORT SPACER	0020035124

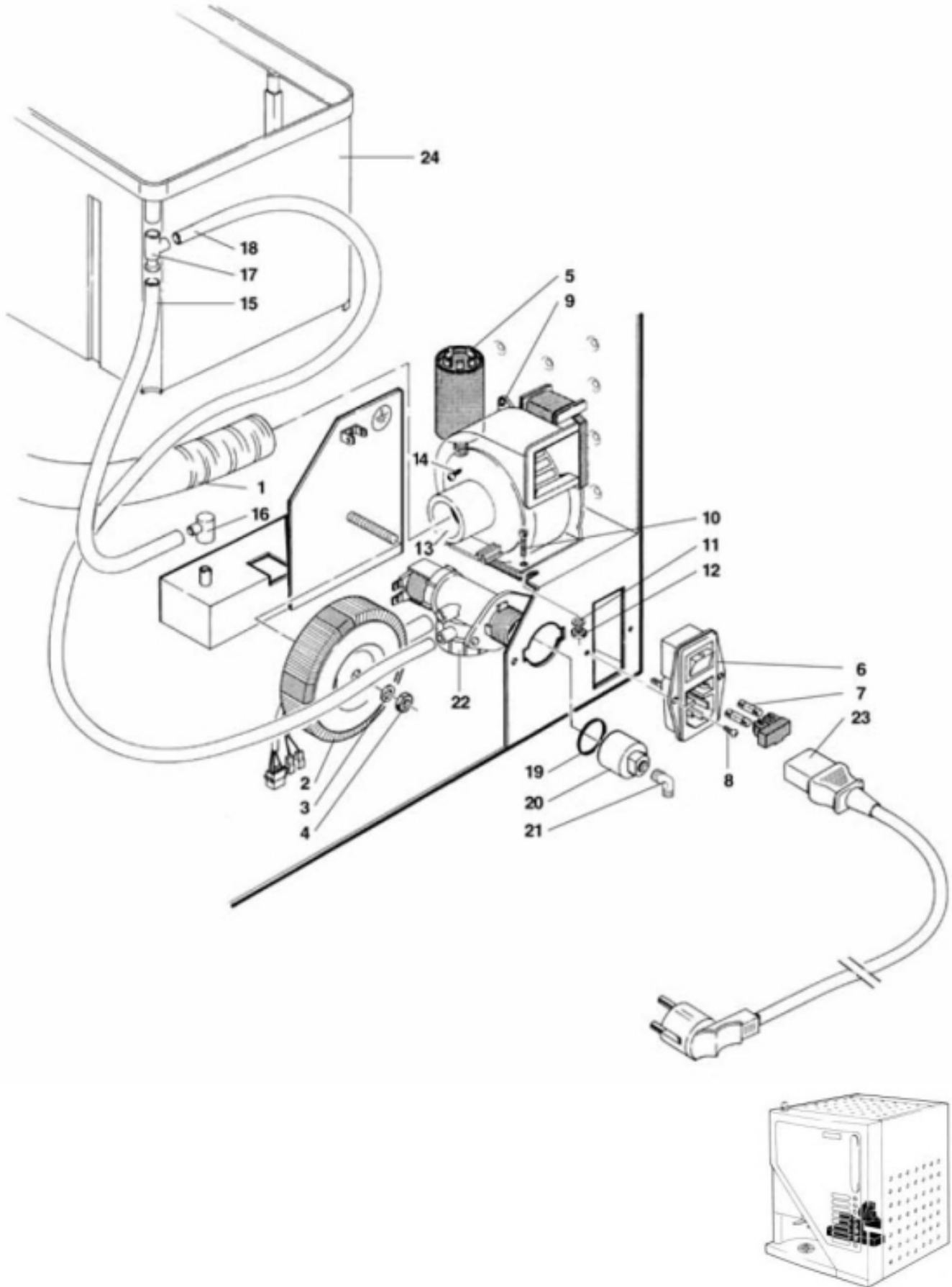
3. cabinet front inside (starting from S/N 03279999)



3. cabinet front inside (starting from S/N 03279999)

Pos.Nr.	Article description	Article Nr.
1	CABINET STRUCTURE From S/N 0328xxxx	0010020784
2	D.25 SELFLOCKING FEET WITH PIN	GUA0011011
3	UPPER COVER CABINET from S/N 0202xxxx	0010020766
3	UPPER COVER CABINET from S/N 0202xxxx	0010020766CM
4	FIXING RIVET FOR COVER	0010020754R
5	BENZING-QUICKLOCK	VIT0007102
6	REAR DOOR XS SM from S/N 0328xxxx	0010020770
6	REAR DOOR XS SM from S/N 0328xxxx	0010020770CM
7	SCREW TCB M4 x 7	VIT0000030
8	BOARD SUPPORT	ELE0062008
9	CPU/ POWER W/HOLDER	SCH0004400
10	EXHAUST DRAWER From serial 020	0010020072
11	MR NCJM2480-X 24VDC	0090002113
14	GEAR MOTOR MASK	0010020029NA
15	MIXER MASK	0010020028NA
16	TAPPING SCREW TCB 3.5 x 9.5	VIT0002401
17	SUPPORT FOR PRODUCT PIPE	0010020051
18	PLASTIC COIN BOX LONG SPACER	0020035125
19	WASHER D.8 x 4.3 x 0.8	VIT0003003
20	NUT M 4	VIT0004503
21	HANDLE	0010020026NA
22	SECURING CONNECTION	4600010012
23	TAPPING SCREW TCB 3.5 x 12	VIT0002452
24	PLASTIC COIN BOX SHORT SPACER	0020035124
25	SERVICE KEY ASSEMBLY	0270011109CL
26	SAFETY SWITCH	ELE0002009
27	SAVETY SWITCH COVER XS	0010020772
28	2.9x 6.5 TAPPING TCB SCREW	VIT0002001

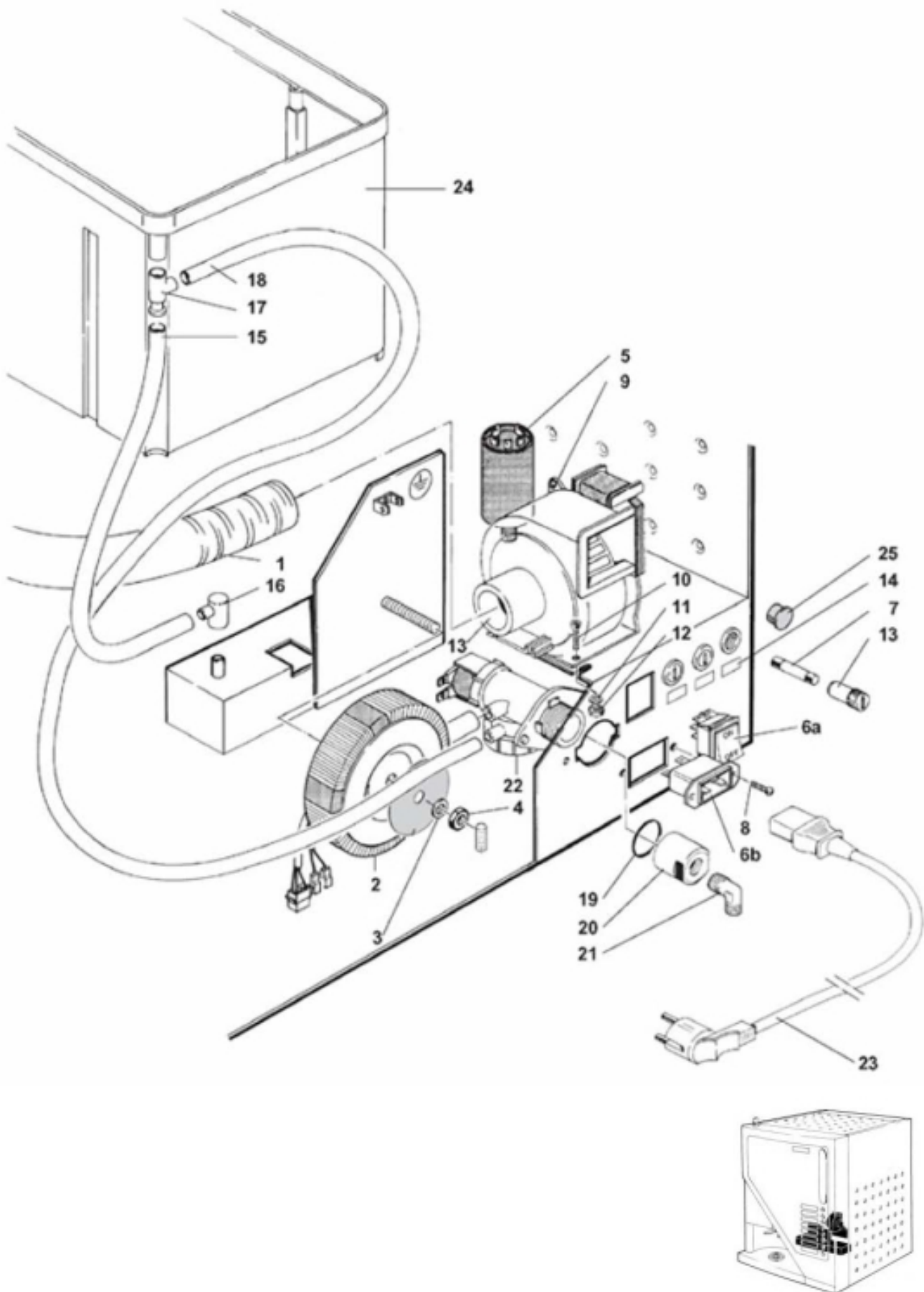
4. cabinet rear inside (up to S/N 0201999)



4. cabinet rear inside (up to S/N 0201999)

Pos.Nr.	Article description	Article Nr.
1	EXTERNAL WRINKLED PIPE XS/XM/XL/ECO	TEOL000002
2	TOROIDAL TRANSFORMER 230V	ELE0000555CL
3	WASHER D.6,5 x 18 x 1,5	VIT0003303
4	NUT M6	VIT0004505
5	ANTIPARASITIC FILTER 250V 10A 0.47yF	ELE0009055
6	POWER SWITCH MODULE	ELE0002309
7	5A SLOW-BLOW GLASS FUSE 5x20	ELE0003028
7a	Fuse mounting drawer for Cino	500055
8	TAPPING SCREW TCB 3.5 x 9.5	VIT0002401
9	EXHAUST FAN	ELE0000458
10	M 4x12 TCB SCREW	VIT0000013
11	WASHER tab D. 4.3	VIT0003103
12	NUT M 4	VIT0004503
13	D.30 EXHAUST COVER	0010014071
14	2.9x 6.5 TAPPING TCB SCREW	VIT0002001
15	TRANSPARENT SILICONE PIPE D.7	TSIL07/11T
16	Overflow fitting	0600016030
17	BOILER T	0600016028
18	TRANSPARENT SILICONE PIPE D.5	TSIL05/08T
19	OR 130 JUST FOR MAIN WATER SUP	GUA0000021
20	3/8 GAS M WATER INLET VALVE CO	0810010558
21	knee 3/8 - 3/8 OUTSIDE	0100001023
22	EV.DIS.SICUR.800.150 MOD.24VDC	0110001058
23	POWER LEAD 3 x 1 SOCKET AND SC	ELE0055008
24	BOILER TANK	0600016008

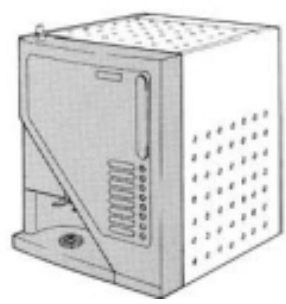
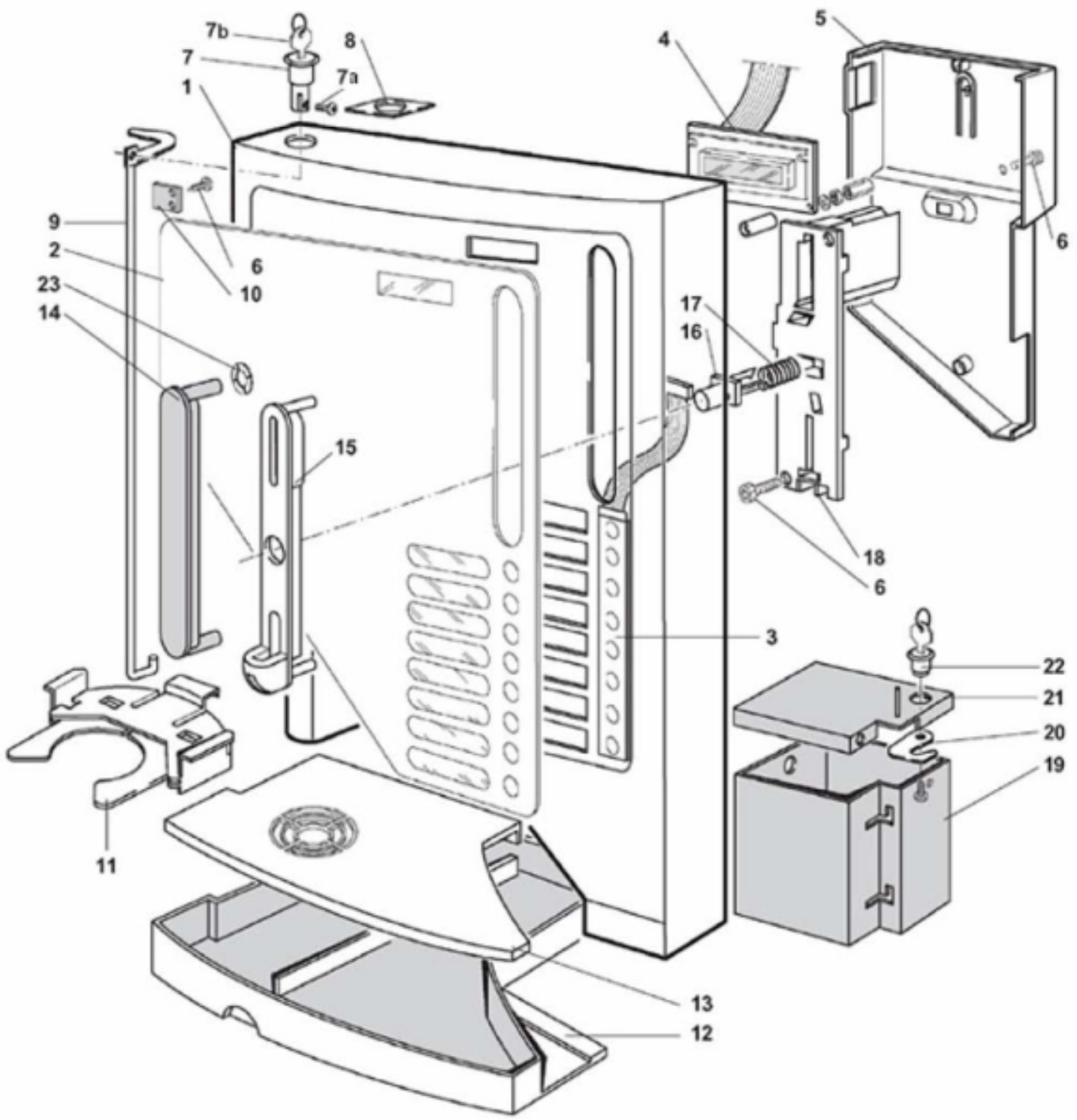
5. cabinet rear inside (starting from S/N 0202001)



5. cabinet rear inside (starting from S/N 0202001)

Pos.Nr.	Article description	Article Nr.
1	EXTERNAL WRINKLED PIPE XS/XM/XL/ECO	TEOL000002
2	TOROIDAL TRANSFORMER 230V	ELE0000555CL
3	WASHER D.6,5 x 18 x 1,5	VIT0003303
4	NUT M6	VIT0004505
5	ANTIPARASITIC FILTER 250V 10A 0.47yF	ELE0009055
6a	15A 250V ON/OFF UL/CSA BIPOLAR	ELE0002014
6b	IEC 15A 250V SOCKET	ELE0002310
7	SLOW-BLOW CERAMIC TYPE 6.3A FU	ELE0003024
8	TAPPING SCREW TCB 3.5 x 9.5	VIT0002401
9	CENTRIFUGAL EXHAUSTER	ELE0000459
10	SCREW T.C.B. M 4 x 10	VIT0000012
11	WASHER tab D. 4.3	VIT0003103
12	NUT M 4	VIT0004503
13	FUSES HOLDER	ELE0003507
14	FUSE LABEL 12A	1010100110
15	TRANSPARENT SILICONE PIPE D.7	TSIL07/11T
16	Overflow fitting	0600016030
17	BOILER T	0600016028
18	TRANSPARENT SILICONE PIPE D.5	TSIL05/08T
19	OR 130 JUST FOR MAIN WATER SUP	GUA0000021
20	3/8 GAS M WATER INLET VALVE CO	0810010558
21	knee 3/8 - 3/8 OUTSIDE	0100001023
22	EV.DIS.SICUR.800.150 MOD.24VDC	0110001058
23	POWER LEAD 3 x 1 SOCKET AND SC	ELE0055008
24	BOILER TANK	0600016008
25	RELEASE PLUG	GUA0011010
26	D.30 EXHAUST COVER	0010014071

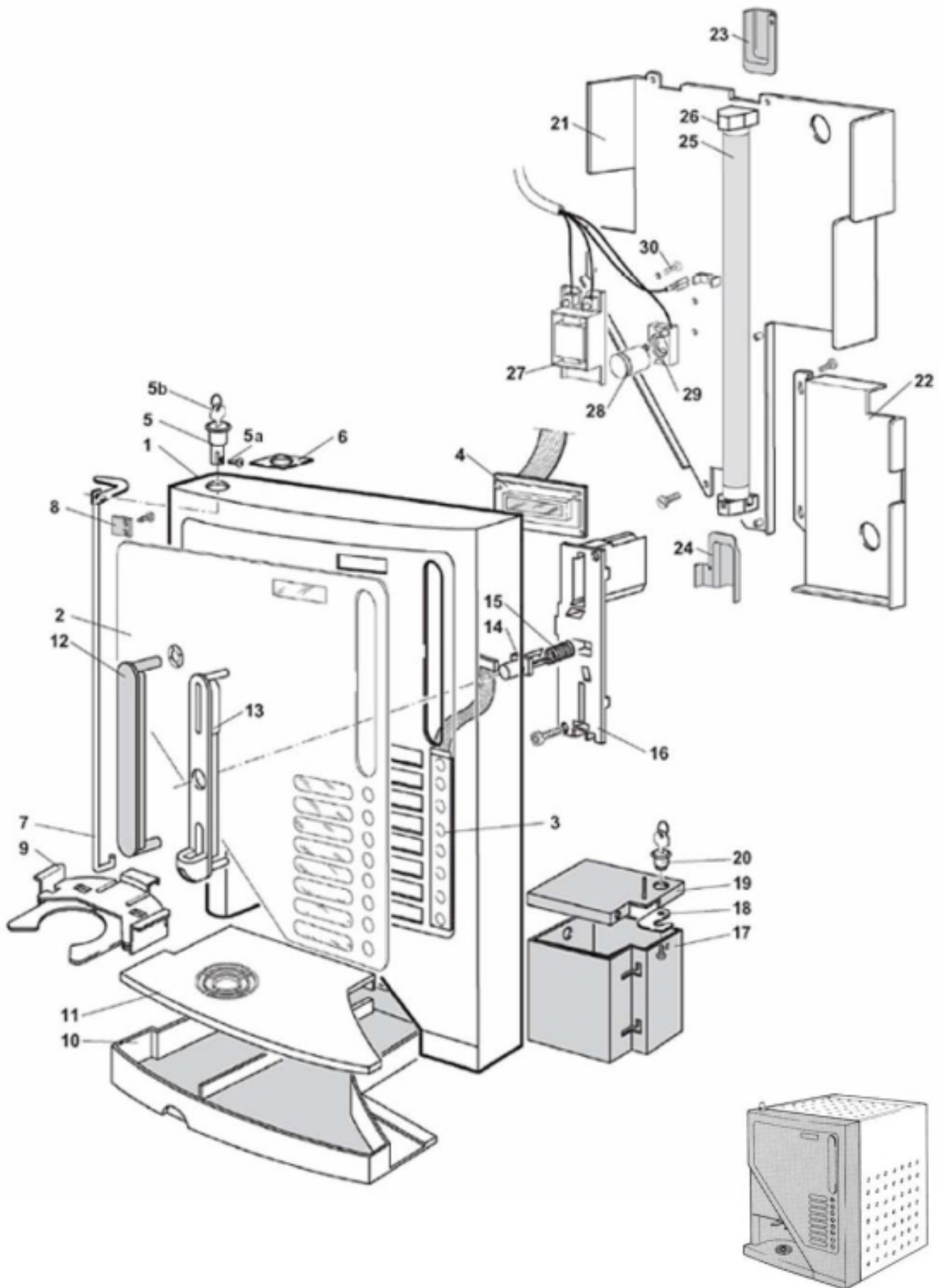
6. door (up to S/N 0201999)



6. door (up to S/N 0201999)

Pos.Nr.	Article description	Article Nr.
*	PLASTIC COVER ASSEMBLY (POS. 1	0020035122R
1	BLACK DOOR	0020035135
3	8-KEY KEYBOARD	0020035036
4	DISPLAY	SCH0005280
5	DISPLAY COVER	0020035008
6	TAPPING SCREW TCB 3.5 x 12	VIT0002452
7	BOX 5 RAPID EXTENSION LOCK	SER0000012
7a	Screw lockcylinder	VIT0002603
7b	KEY G 3102	SER0000327
8	LOCK PLATE	0020035041
9	DOOR LOCK PIN	0020035045
10	PIN STOP PLATE	0020035046
11	RED CUP SUPPORT WITH CONNECTIO	100505
12	WATER COLLECTION TRAY	0020035006
13	WATER COLLECTION TRAY GRATE	0020035007
14	BLACK COIN BOX BLOCKING TAB	0020035029NA
15	BLACK COIN BOX TAB	0020035031NA
16	RED COIN RETURN BUTTON 3020	0020035033KA
17	COIN RETURN BUTTON SPRING	0020035034
18	COIN BOX SUPPORT	0020035032NA
19	PLASTIC COIN DRAWER	0020035123NA
20	PLASTIC COIN DRAWER HOOK **	0020035126NA
21	BLACK COIN BOX COVER ASSEMBLY	0020035122NA
22	154 RAPID BOX LOCK *	SER0000015
22a	KEY G 3430	SER0000335
23	BUSH	VIT0007109

7. door (up to S/N 03279999)

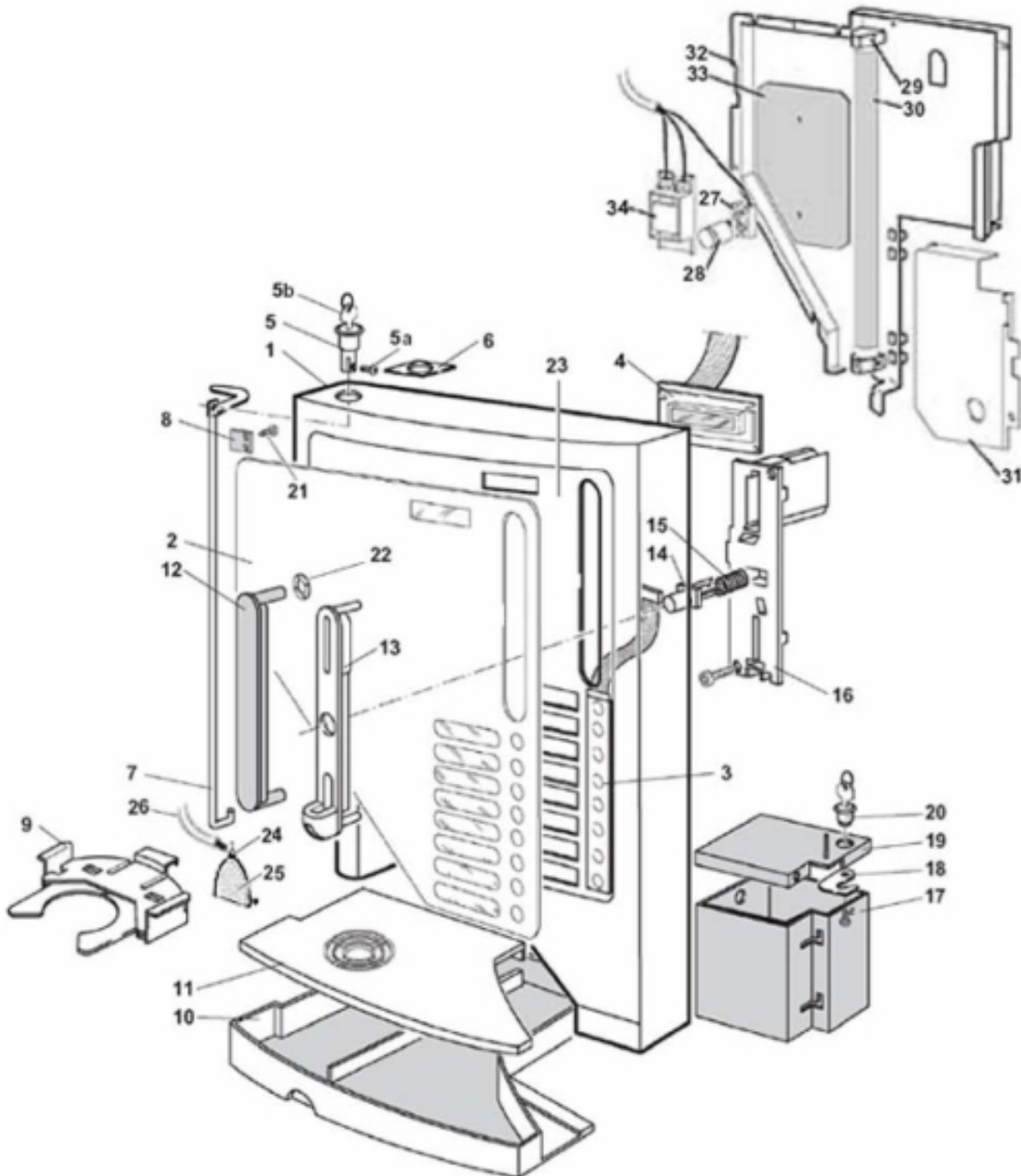


7. door (up to S/N 03279999)

Pos.Nr.	Article description	Article Nr.
*	PLASTIC COVER ASSEMBLY (POS. 1	0020035122R
1	BLACK DOOR	0020035135
3	8-KEY KEYBOARD	0020035036
4	DISPLAY	SCH0005280
5	BOX 5 RAPID EXTENSION LOCK	SER0000012
5a	Screw lockcylinder	VIT0002603
5b	KEY G 3102	SER0000327
6	LOCK PLATE	0020035041
7	DOOR LOCK PIN	0020035045
8	PIN STOP PLATE	0020035046
9	RED CUP SUPPORT WITH CONNECTIO	100505
10	WATER COLLECTION TRAY	0020035006
11	WATER COLLECTION TRAY GRATE	0020035007
12	BLACK COIN BOX BLOCKING TAB	0020035029NA
13	BLACK COIN BOX TAB	0020035031NA
14	RED COIN RETURN BUTTON 3020	0020035033KA
15	COIN RETURN BUTTON SPRING	0020035034
16	COIN BOX SUPPORT	0020035032NA
17	PLASTIC COIN DRAWER	0020035123NA
18	PLASTIC COIN DRAWER HOOK **	0020035126NA
19	BLACK COIN BOX COVER ASSEMBLY	0020035122NA
20	154 RAPID BOX LOCK *	SER0000015
20a	KEY G 3430	SER0000335
21	LAMP TRAIL SHEET	0020035141
22	LABEL INSERTION DOOR (up to S/N 0325xxxx)	0020035143
23	UPPER CABLES PROTECTION	0020035137
24	LOWER CABLES PROTECTION	0020035138
25	FLUORESCENT TUBE 8W	ELE0009018
26	BIPLUG G 13 LAMP HOLDER	ELE0009107
27	220 V BALLAST	ELE0009116
28	STARTER	ELE0009109
29	L 8 W 20 LAMP	ELE0009108
30	SCREW TCB M4 x 7	VIT0000030
31	TAPPING SCREW TCB 3.5 x 12	VIT0002452

8. door (starting from S/N 032800001)

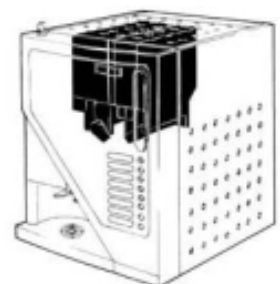
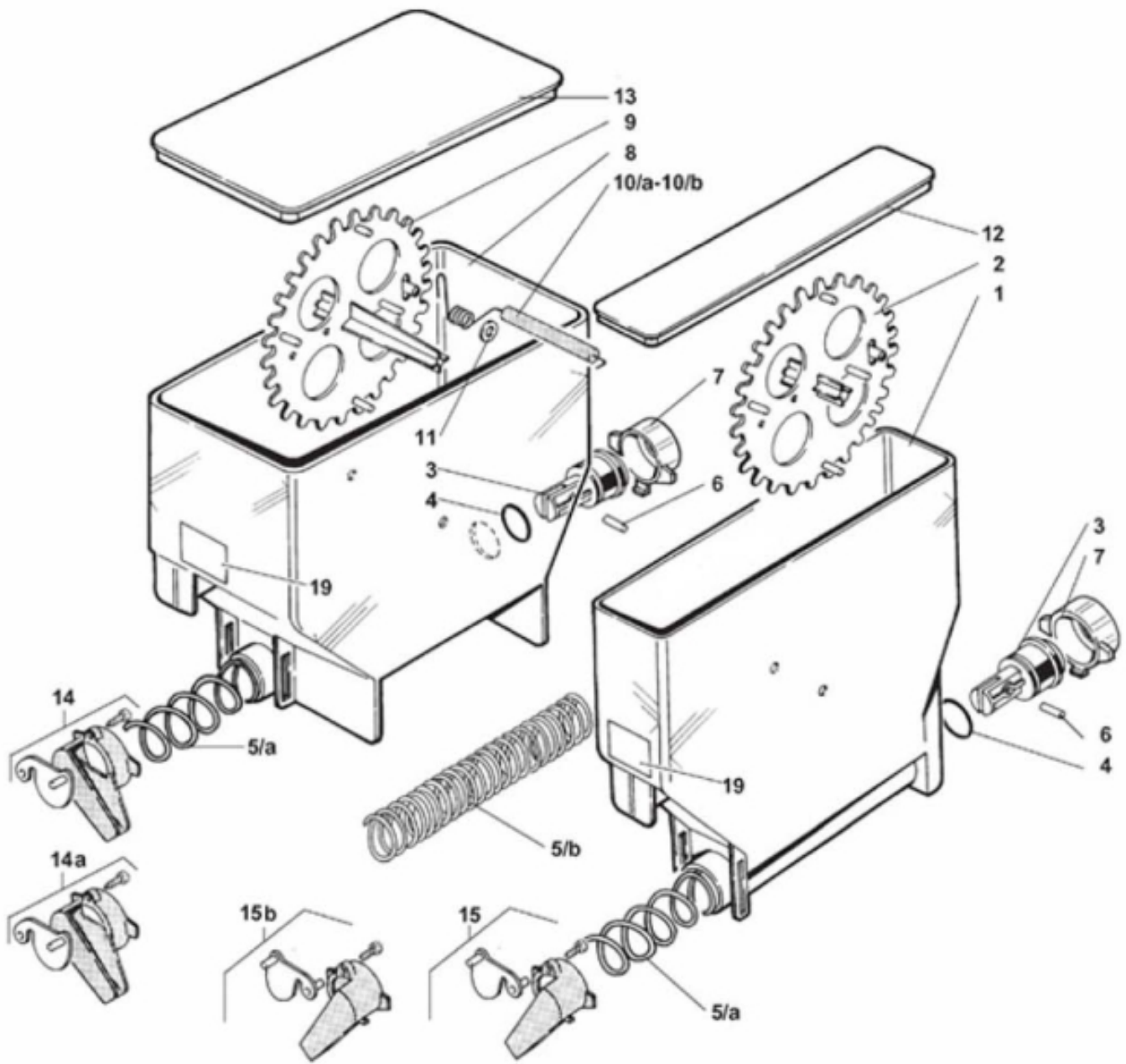
8.1 Explosionszeichnung



8. door (starting from S/N 032800001)

Pos.Nr.	Article description	Article Nr.
1	DOOR XS (from S/N 0326xxxx)	0020035205
1	DOOR XS (from S/N 0326xxxx) SILVER	0020035205CM
3	8-KEY KEYBOARD	0020035036
4	DISPLAY	SCH0005280
5	BOX 5 RAPID EXTENSION LOCK	SER0000012
5a	Screw lockcylinder	VIT0002603
5b	KEY G 3102	SER0000327
6	LOCK PLATE	0020035041
7	DOOR LOCK PIN	0020035045
8	PIN STOP PLATE	0020035046
9	RED CUP SUPPORT WITH CONNECTIO	100505
10	XS WATER COLLECTION TRAY LATTE MAC.	0020035098
10	WATER COLLECTION TRAY SILVER	0020035006CM
10	WATER COLLECTION TRAY	0020035006
11	WATER COLLECTION TRAY GRATE	0020035007
11	XS COVER WATER COLLECTION TRAY LATTE MACC.	0020035099
12	BLACK COIN BOX BLOCKING TAB	0020035029NA
13	BLACK COIN BOX TAB	0020035031NA
14	RED COIN RETURN BUTTON 3020	0020035033KA
15	COIN RETURN BUTTON SPRING	0020035034
16	COIN BOX SUPPORT	0020035032NA
17	PLASTIC COIN DRAWER	0020035123NA
18	PLASTIC COIN DRAWER HOOK **	0020035126NA
19	PLASTIC COVER ASSEMBLY (POS. 1	0020035122R
19	BLACK COIN BOX COVER ASSEMBLY	0020035122NA
20	154 RAPID BOX LOCK *	SER0000015
20a	KEY G 3430	SER0000335
21	TAPPING SCREW TCB 3.5 x 12	VIT0002452
22	BUSH	VIT0007109
23	PANEL XS (MIDDLE OF DOOR, TRANSPARENT)	0020035206
24	LED GREEN XS	ELT0006768
24	LED BLUE XS	ELT0006766
24	D.5MM TLHR5400 RED LED	ELT0006765
24	LED ORANGE XS	ELT0006767
24	LED WHITE XS	ELT0006769
25	RED SHINING SUPPLEMENT	0020035209
26	Cable for LED	CBLXS00057
27	Mounting for Starter 16/AL	ELE0009122
28	STARTER	ELE0009109
29	lamp mounting	ELE0009121
30	FLUORESCENT TUBE 8W	ELE0009018
31	COVER PRODUCT LABELS (from S/N 0326xxxx)	0020035208
32	COVER LAMP (from S/N 0326xxxx)	0020035207
33	Heat protection plate XS PB	0020035219
34	220 V BALLAST	ELE0009116

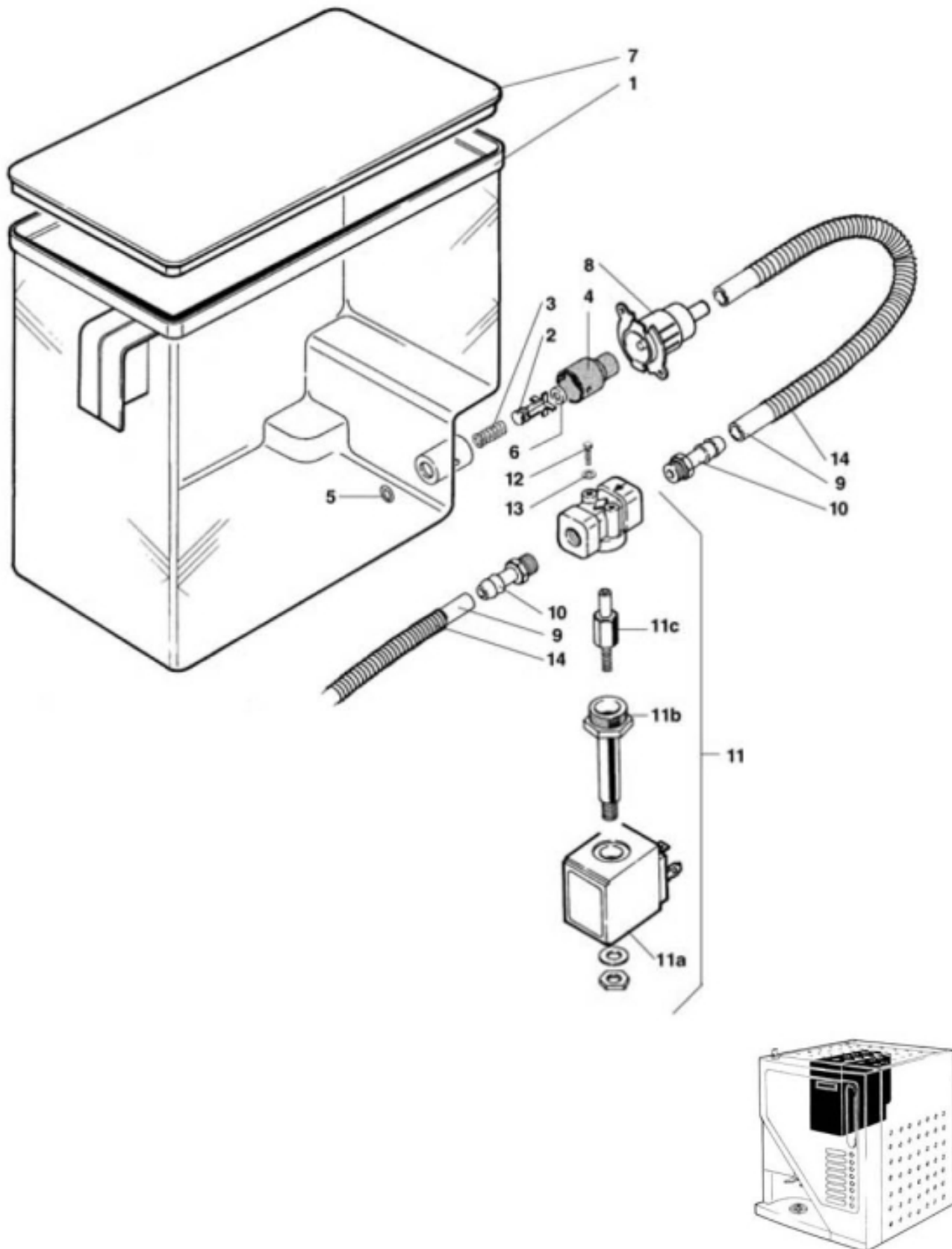
9. products container



9. products container

Pos.Nr.	Article description	Article Nr.
*	INGREDIENT CONTAINER 54 mm WOR	0230030005R
*	PRODUCT CONTAINER 54 mm WORM S	0230030006R
*	PROD. CONT. 110 mm WORM SCREW	0230030007R
*	PROD. CONT. 110 mm WORM SCREW	0230030009R
1	PLASTIC INGREDIENT CONTAINER 5	0230030005
2	MIXER GEAR ORANGE RAL 2011	0230030016
3	WORM SCREW PIN	0230030012
4	OR 123	GUA0000083
5a	WORM SCREW P.18	0230030014
5b	WORM SCREW P. 9	0230030013
6	ELASTIC PIN D.2 x 14	VIT0005301
7	REAR BUSH	0230030011
8	PLASTIC INGREDIENT CONTAINER 1	0230030008
9	MIXER GEAR mm.110 ORANGE RAL 2	0230030015
10	INGREDIENT MIXER 112 mm. R.H.	0230030041
10	INGREDIENT MIXER 112 mm. L.H.	0230030042
11	STAINLESS STEEL FLAT WASHER D.	VIT0003210
12	CONTAINER COVER 54 mm. From se	0230030156
13	CONTAINER COVER 110 mm. From s	0230030158
14	RIGHT CONVEYOR INGREDIENT	0230030017R
14a	RIGHT CONVEYOR INGREDIENT	0230030044R
15	LEFT CONVEYOR INGREDIENT	0230030018R
15b	LEFT CONVEYOR INGREDIENT	0230030043R
19	SHOKO I-F-D- LABEL	1010150006
19	SOUP I-F-D- LABEL	1010150005
19	TEA I-F-D- LABEL	1010150004
19	MILK I-F-D- LABEL	1010150003
19	COFFEE I-F-D- LABEL	1010150002
19	SUGAR I-F-D- LABEL	1010150001

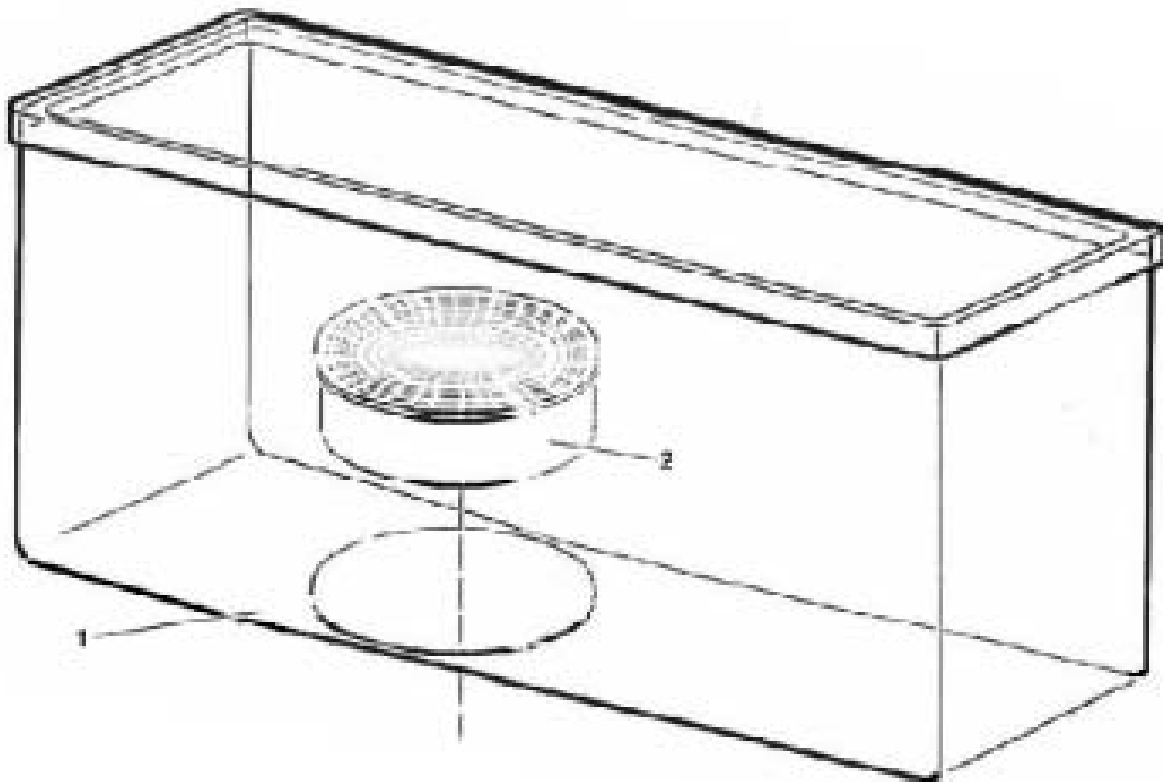
10. water tank



10. water tank

Pos.Nr.	Article description	Article Nr.
*	AUTONOMOUS WATER TANK (FROM PO	0800012010R
1	WATER TANK	0800012005PF
2	WATER TANK CLOSING PIN	0800012009
3	CLOSING PIN SPRING	0800012012
4	TANK CLOSING GASKET SUPPORT	0800012008
5	SILICONE GASKET D.6 CORD 3	GUA0000082
6	SILICONE GASKET DE 062	GUA0002008
7	Cino XS Tank in Tank cover	799041
7	CONTAINER COVER 112 mm. Up to	0230030009
8	FIXED TANK CONNECTION	0800012015
9	TRANSPARENT SILICONE PIPE D.7	TSIL07/11T
10	RUBBER HOLDER DIR. D.10-1/4 M	0100217009
11	24 D.C. 2-WAY VALVE ¼" D. 4.5	0110001078
11a	8W 24 D.C. COIL	0110010065
11b	SLEEVE FOR 2-WAY VALVE D. 4.5	0110010101
11c	CORE WITH SPRING FOR 2-WAY VAL	0110010102
12	SCREW TE M4x10	VIT0000205
13	WASHER D.12 x 4.3 x 1.5	VIT0003301
14	PIPE SPRING	0010020063

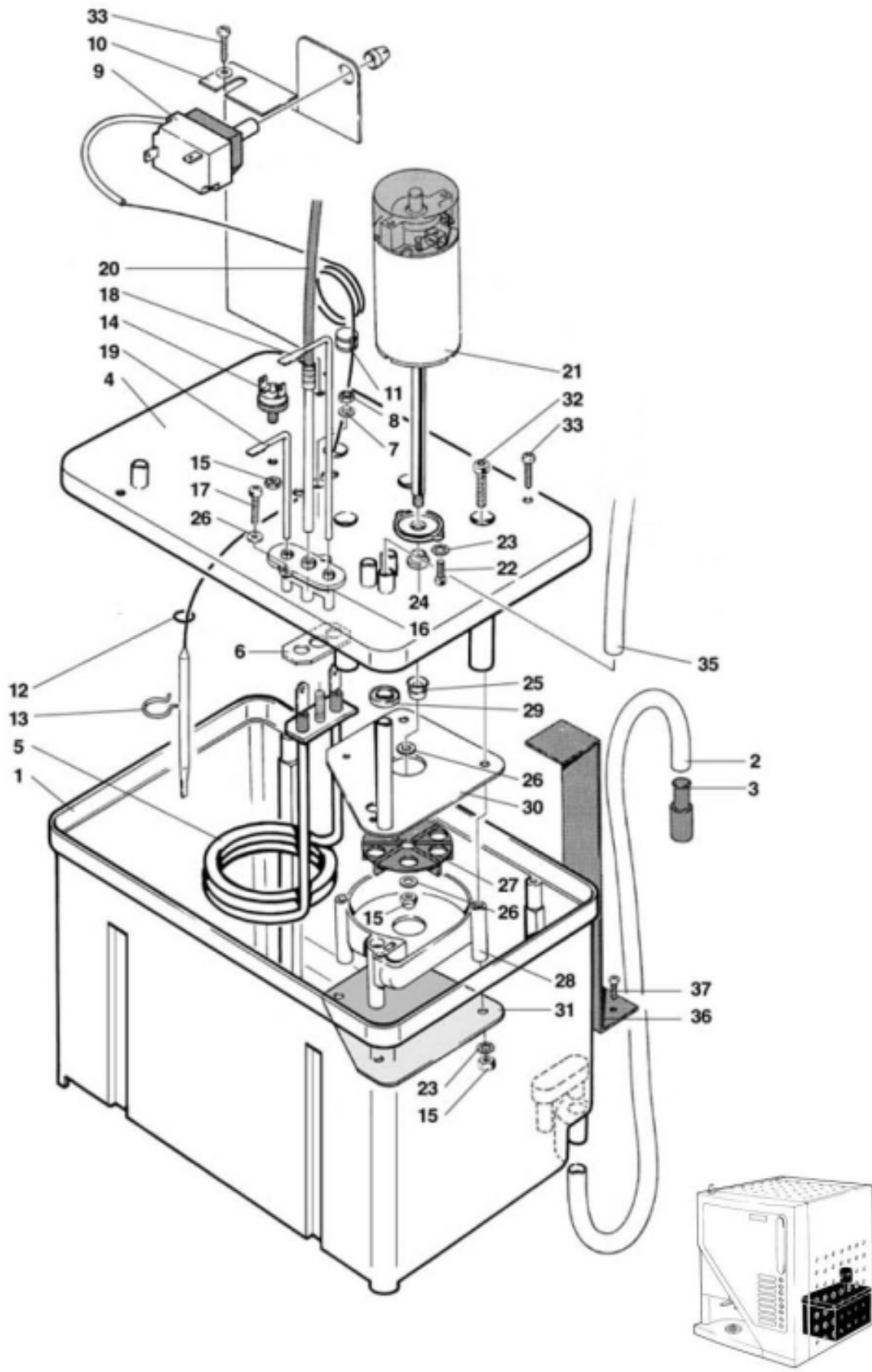
11. tank in tank



11. tank in tank

Pos.Nr.	Article description	Article Nr.
*	Cino XS Tank in Tank cover	799041
1	Cino XS Filtertank without car	799039
2	Cino XS Filter cartridge (Tank in Tank)	799038

12. boiler (up to S/N 0001999)



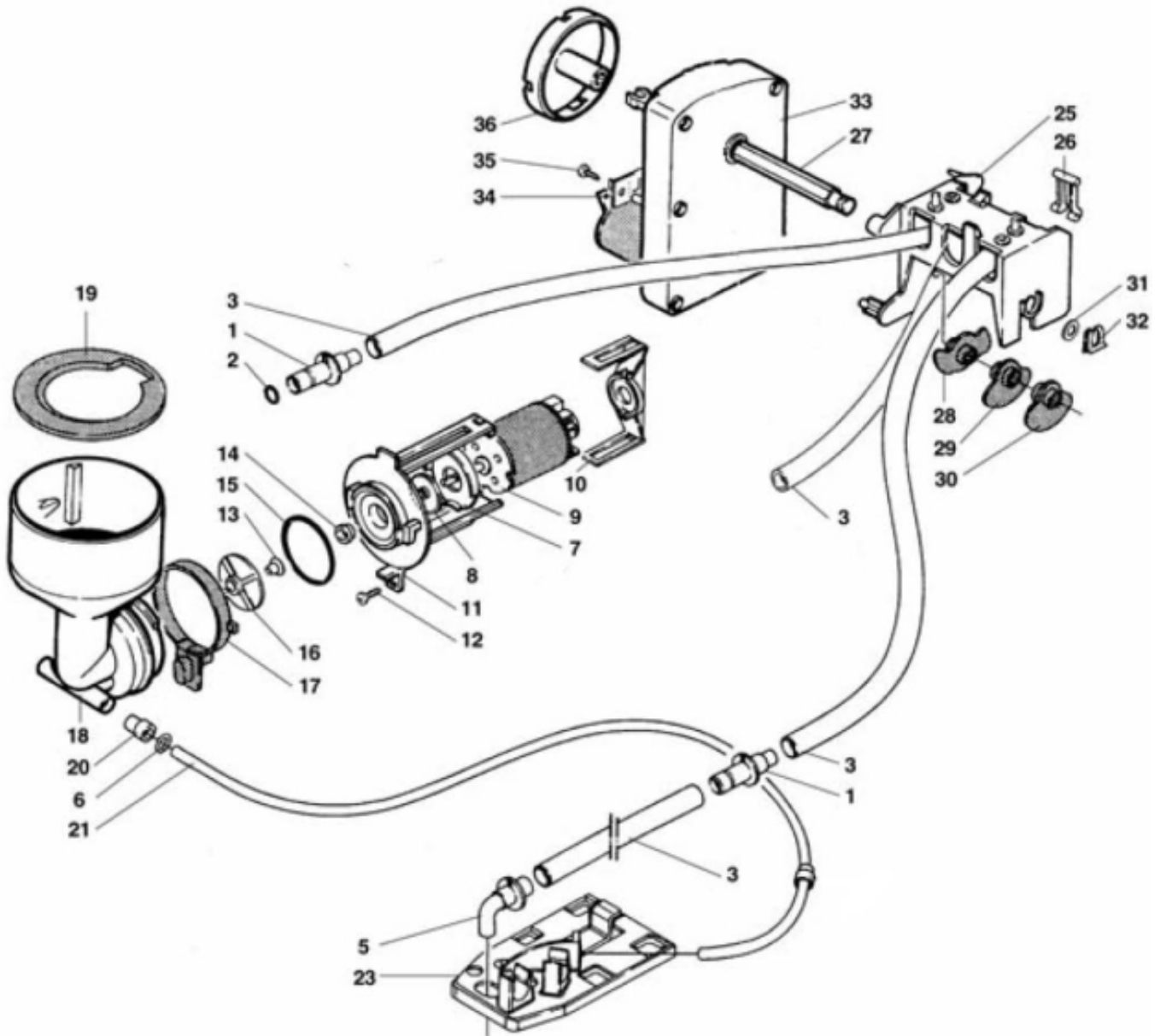
12. boiler (up to S/N 0001999)

Pos.Nr.	Article description	Article Nr.
1	BOILER TANK	0600016008
2	TRANSPARENT SILICONE PIPE D.10	TSIL10/14T
3	BOILER DISCHARGE PLUG	650001057
4	BOILER COVER PLUG *	0600016049
5	1300W 230 V HEATING ELEMENT Up	0600016067
6	HEATING ELEMENT GASKET	0600016017
7	STAINLESS STEEL FLAT WASHER D.	VIT0003203
8	STAINLESS STEEL NUT M5	VIT0004804
9	MANUAL RESET THERMOSTAT 135°C	ELE0000964
10	THERMOSTAT SECURING BRACKET	0600016032
11	THERMOSTAT PASSAGE STOPPER	0600016033
12	SILICONE OR 112	GUA0000065
13	THERMOSTAT BULB SECURING SPRIN	0600016044
14	MANUAL RESET THERMOSTAT 88°C	ELE0000962
15	STAINLESS STEEL NUT M4	VIT0004816
16	PROBE SUPPORT	0600016059
17	SCREW T.C.B. M 4 x 12	VIT0001005
18	MIN. WATER LEVEL PROBE	0600016053
19	MAX WATER LEVEL PROBE	0600016054
20	PRIMA SOLUBLE PROBE	ELE0000963R
21	MOTOR PUMP 24 V	0090003031
22	STAINLESS STEEL SCREW T.C.B. M	VIT0001008
23	STAINLESS STEEL EXTERNAL tab D	VIT0003107
24	STAINLESS STEEL FLAT BUSH	0080001005
25	MIXER SHAFT GASKET	GUA0001006
26	STAINLESS STEEL FLAT WASHER D.	VIT0003202
27	PUMP WHEEL	0110030026
28	PUMP BODY	0110030025
29	SILICONE GASKET DE 062	GUA0002008
30	UPPER PUMP COVER WITH PIPE	0600016045
31	LOWER PUMP COVER	0600016048
32	SCREW T.C.E.I. M 4x40 INOX	VIT0005524
33	SCREW TCCRT 4,2 x 26	VIT0002461
35	TRANSPARENT SILICONE PIPE D.6	TSIL06/09T
36	BOILER SECURING PLATE	0010020032
37	TAPPING SCREW T.C.B. 3,5 x 6,5	VIT0002009

13. boiler (starting from S/N 0002001)

Pos.Nr.	Article description	Article Nr.
*	BOILER ASSEMBLY (from pos. 1 t	0600016065R
*	BOILER ASSEMBLY XS/XM SM 1600W CPLT.	0600016172CLR
1	BOILER TANK	0600016008
2	TRANSPARENT SILICONE PIPE D.10	TSIL10/14T
3	BOILER DISCHARGE PLUG	650001057
4	BOILER COVER PLUG *	0600016049
5	1300W 230 V HEATING ELEMENT Up	0600016067
5	1600 W 230 V HEATING ELEMENT W	0600016078
6	HEATING ELEMENT GASKET	0600016038
7	STAINLESS STEEL FLAT WASHER D.	VIT0003203
8	STAINLESS STEEL NUT M5	VIT0004804
9	121° FUSE ASSEMBLED	ELE0003026CL
10	TRIPLE FITTING	0600016071
11	TRIPLE FITTING BOTTOM	0600016072
12	SILICONE GASKET DE 062	GUA0002008
14	MANUAL RESET THERMOSTAT 88°C	ELE0000962
15	STAINLESS STEEL NUT M4	VIT0004816
16	PROBE SUPPORT	0600016059
17	SCREW T.C.B. M 4 x 12	VIT0001005
18	MIN. WATER LEVEL PROBE	0600016053
19	MAX WATER LEVEL PROBE	0600016054
20	PRIMA SOLUBLE PROBE	ELE0000963R
21	MOTOR PUMP 24 V	0090003031
22	STAINLESS STEEL SCREW T.C.B. M	VIT0001008
23	STAINLESS STEEL EXTERNAL tab D	VIT0003107
24	STAINLESS STEEL FLAT BUSH	0080001005
25	MIXER SHAFT GASKET	GUA0001006
26	STAINLESS STEEL FLAT WASHER D.	VIT0003202
27	PUMP WHEEL	0110030026
28	PUMP BODY	0110030025
29	M 4 CONNECTION FOR THERMOPLAST	VIT0009202
30	UPPER PUMP COVER WITH PIPE	0600016045
31	LOWER PUMP COVER	0600016048
32	SCREW T.C.E.I. M 4x40 INOX	VIT0005524
35	TRANSPARENT SILICONE PIPE D.6	TSIL06/09T
36	BOILER SECURING PLATE	0010020032
37	TAPPING SCREW T.C.B. 3,5 x 6,5	VIT0002009
38	BOILER T	0600016028
39	TRANSPARENT SILICONE PIPE D.7	TSIL07/11T
40	Overflow fitting	0600016030
41	TRANSPARENT SILICONE PIPE D.5	TSIL05/08T
42	CLOSURE COVER CLIP	0600016002

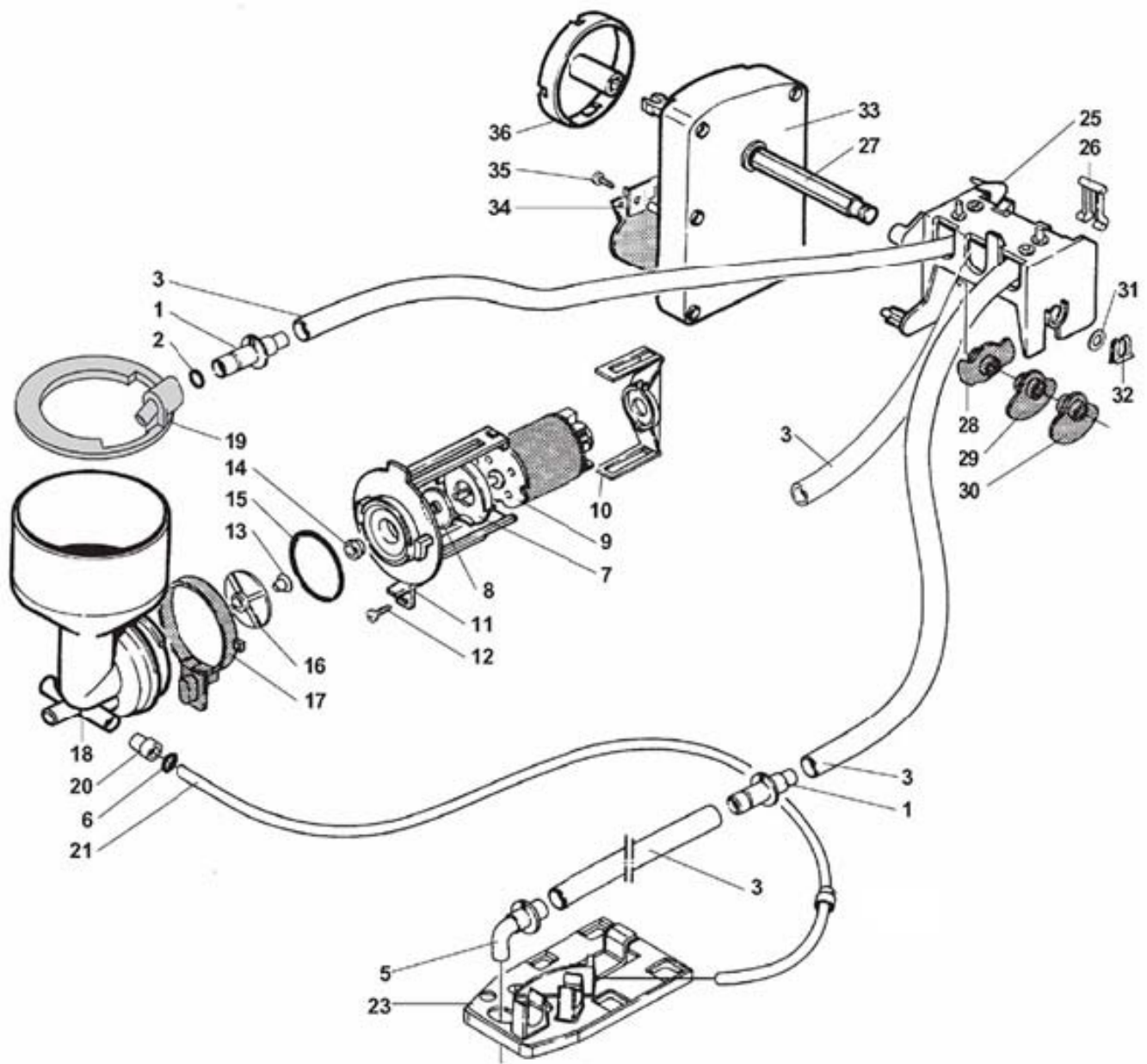
14. Mixerbowl/ aqua portioning system (till S/N 0201999)



14. Mixerbowl/ aqua portioning system (till S/N 0201999)

Pos.Nr.	Article description	Article Nr.
*	MIXER BASE+MOTOR ASSEMBLY assi	0080100001R
*	AQUA PORTIONING SYSTEM CPLT.	0110030001R
1	MIXER CONNECTION	0080100013
2	SILICONE OR 106	GUA0000085
3	TRANSPARENT SILICONE PIPE D.6	TSIL06/09T
5	INGREDIENT PIPE	0010020052
6	SILICONE 2025 OR	GUA0000087
7	MIXER COVER ORANGE RAL 2011	0080100023
8	DRIP TRAP FAN	0080100024
9	24 V DC MIXER MOTOR SHAFT D.4	0090003023
10	MOTOR HOUSING CONNECTION ORANG	0080100009
11	MIXER BASE	0080100005
12	TAPPING SCREW TCB 3.5 x 9.5	VIT0002401
13	MIXER SHAFT GASKET (V-RING)	0080100014
14	MIXER BASE BUSH	0080100015
15	OR 3131	GUA0000084
16	SMALL FAN MIXER SHAFT D.4	0080100011
17	STOPPER RING ORANGE RAL 2011	0080100006
18	MIXER BODY WITH INLET	0080100007
19	MIXER TRAP WITHOUT INLET	0080100008
20	COFFEE OUTLET REDUCTION D.4	0080100019
21	OUTLET PIPE FOR COFFEE ASSEMBL	0010020056R
23	SUPPORT FOR PRODUCT PIPE	0010020051
25	CAM SUPPORT	0110030005
26	CLOSING LEVER	0110030013
27	SHAFT FOR CAMS	0110030006
28	CAM 2	0110030008
29	CAM 3	0110030009
30	CAM 1	0110030007
31	WASHER D.8 x 14 x 0,5	VIT0003010
32	STOP CLIP D.8	VIT0009162
33	24V D.C. GEAR MOTOR 24 R.P.M.	0090002109
34	CAM PIPE SENSOR	SCH0002680
35	TAPPING SCREW TCB 3.5 x 12	VIT0002452
36	POSITION DISK	0110030015

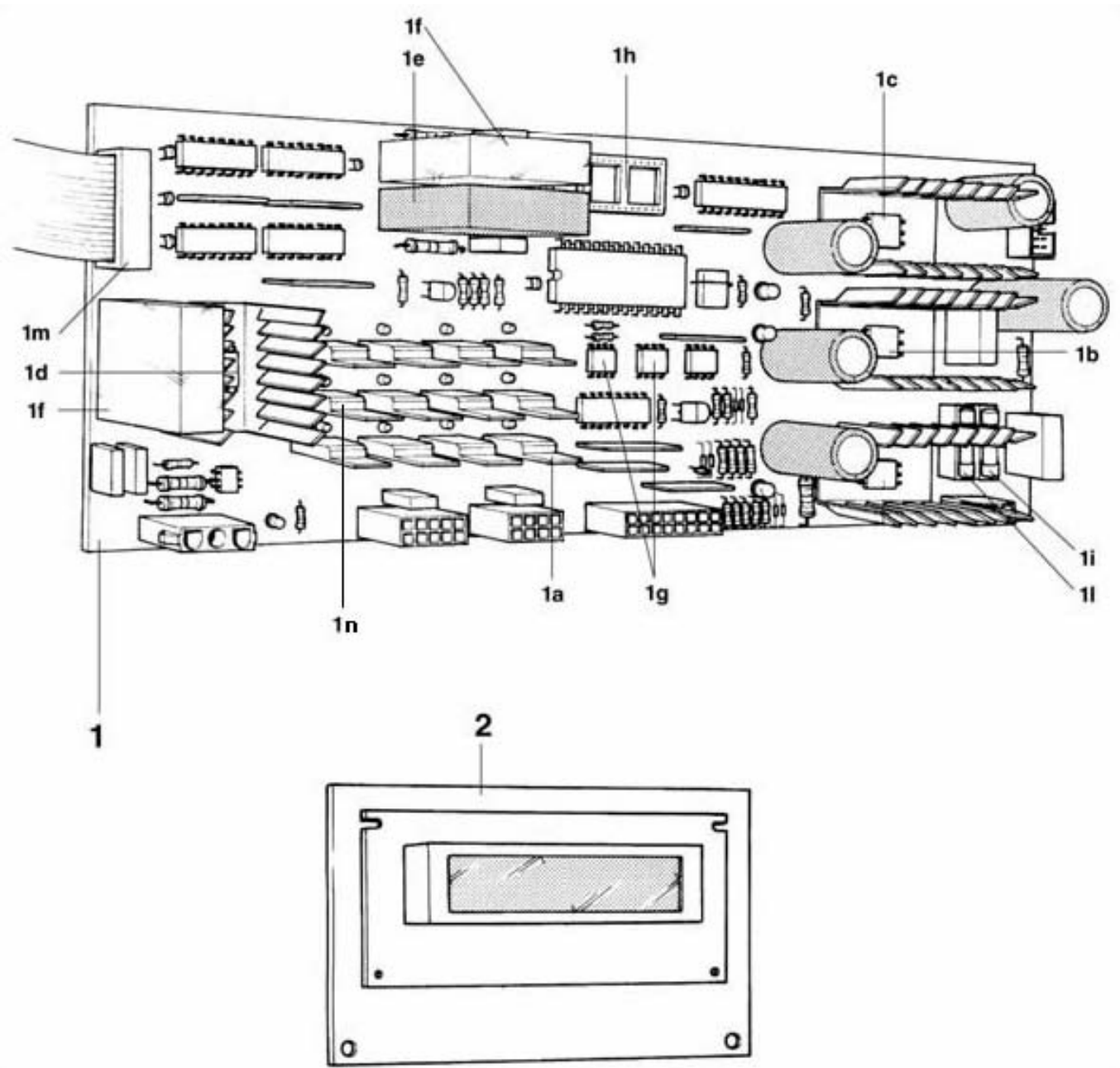
15. Mixerbowl/ aqua portioning system (from S/N 0202001)



15. Mixerbowl/ aqua portioning system (from S/N 0202001)

Pos.Nr.	Article description	Article Nr.
*	MIXER BASE+MOTOR ASSEMBLY assi	0080100001R
*	AQUA PORTIONING SYSTEM CPLT.	0110030001R
1	SHORT MIXER INSERT	0080100043
2	SILICONE OR 106	GUA0000085
3	TRANSPARENT SILICONE PIPE D.6	TSIL06/09T
5	INGREDIENT PIPE	0010020052
6	SILICONE 2025 OR	GUA0000087
7	MIXER COVER ORANGE RAL 2011	0080100023
8	DRIP TRAP FAN	0080100024
9	24 V DC MIXER MOTOR SHAFT D.4	0090003023
10	MOTOR HOUSING CONNECTION ORANG	0080100009
11	MIXER BASE	0080100005
12	TAPPING SCREW TCB 3.5 x 9.5	VIT0002401
13	MIXER SHAFT GASKET (V-RING)	0080100014
14	MIXER BASE BUSH	0080100015
15	OR 3131	GUA0000084
16	SMALL FAN MIXER SHAFT D.4	0080100011
17	STOPPER RING ORANGE RAL 2011	0080100006
18	MIXER BODY NO INLET	0080100041
19	MIXER TRAP WITH INLET	0080100042
20	COFFEE OUTLET REDUCTION D.4	0080100019
21	OUTLET PIPE FOR COFFEE ASSEMBL	0010020056R
23	SUPPORT FOR PRODUCT PIPE	0010020051
25	CAM SUPPORT	0110030005
26	CLOSING LEVER	0110030013
27	SHAFT FOR CAMS	0110030006
28	CAM 2	0110030008
29	CAM 3	0110030009
30	CAM 1	0110030007
31	WASHER D.8 x 14 x 0,5	VIT0003010
32	STOP CLIP D.8	VIT0009162
33	24V D.C. GEAR MOTOR 24 R.P.M.	0090002109
34	CAM PIPE SENSOR	SCH0002680
35	TAPPING SCREW TCB 3.5 x 12	VIT0002452
36	POSITION DISK	0110030015

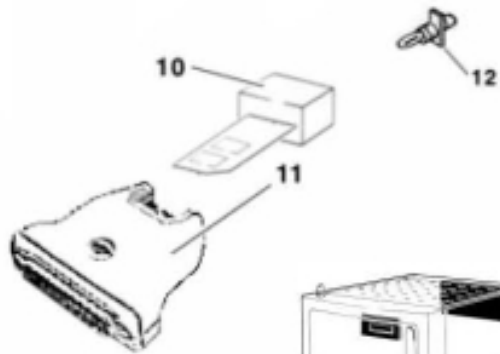
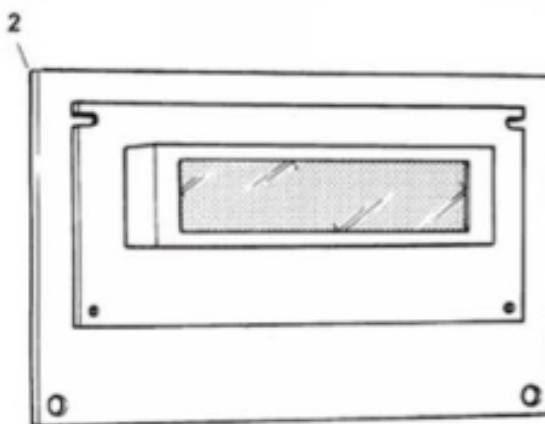
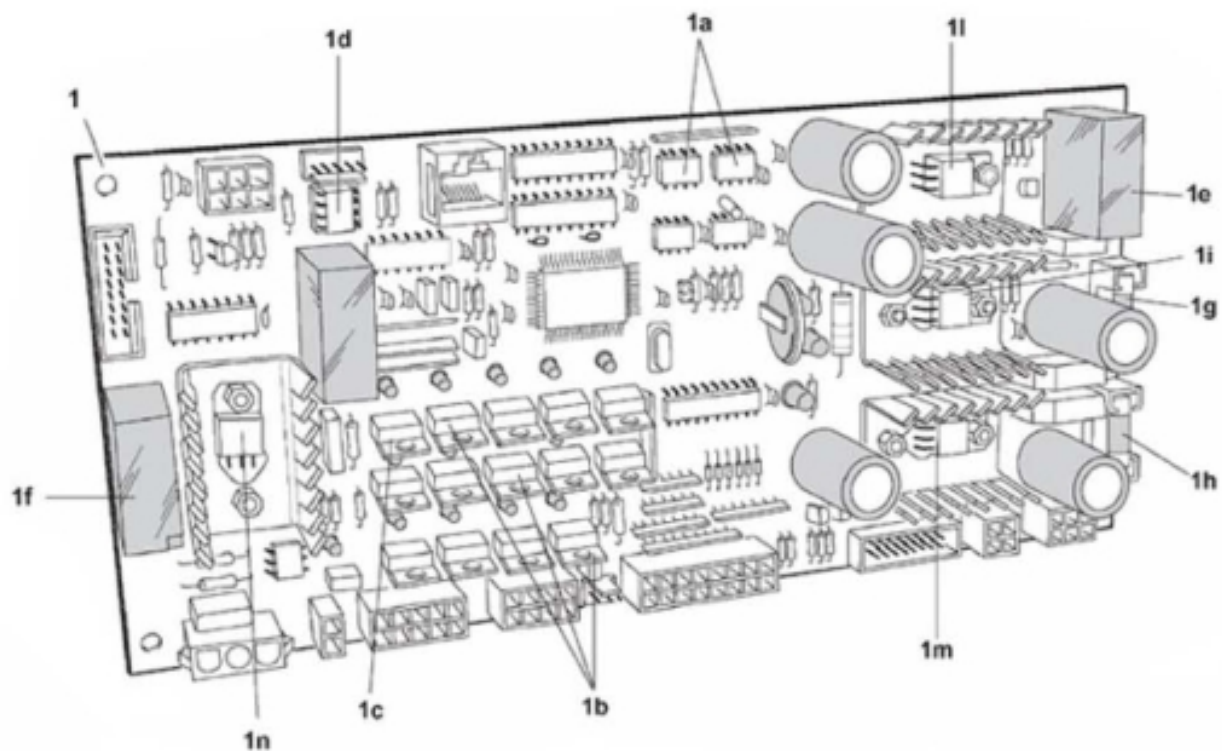
16. CPU E-Prom (till S/N 03279999)



16. CPU E-Prom (till S/N 03279999)

Pos.Nr.	Article description	Article Nr.
1	CPU/ POWER XS	SCH0002640
1a	TRANSISTOR BDW93C	ELT0004020
1b	INTEGRATED CIRCUIT 7812	ELT0030305
1c	INTEGRATED CIRCUIT 7805	ELT0030301
1d	TRIAC TRIAC 16 A	ELT0004209
1e	2-WAY 24V D.C. 10A RELAY	ELT0007159
1f	1-WAY 24V D.C. 10A RELAY	ELT0007151
1g	EARAM 93C56	ELT0030064
1h	EPROM 27C512	ELT0030059
1i	5A SLOW-BLOW GLASS FUSE 5x20	ELE0003028
1l	2A RAPID GLASS FUSE 5x20	ELE0003025
1m	RIBBON CABLE 16P.	ELT0030471
1n	TRANSISTOR VNP14NV04-E ST	ELT0004028
2	DISPLAY	SCH0005280

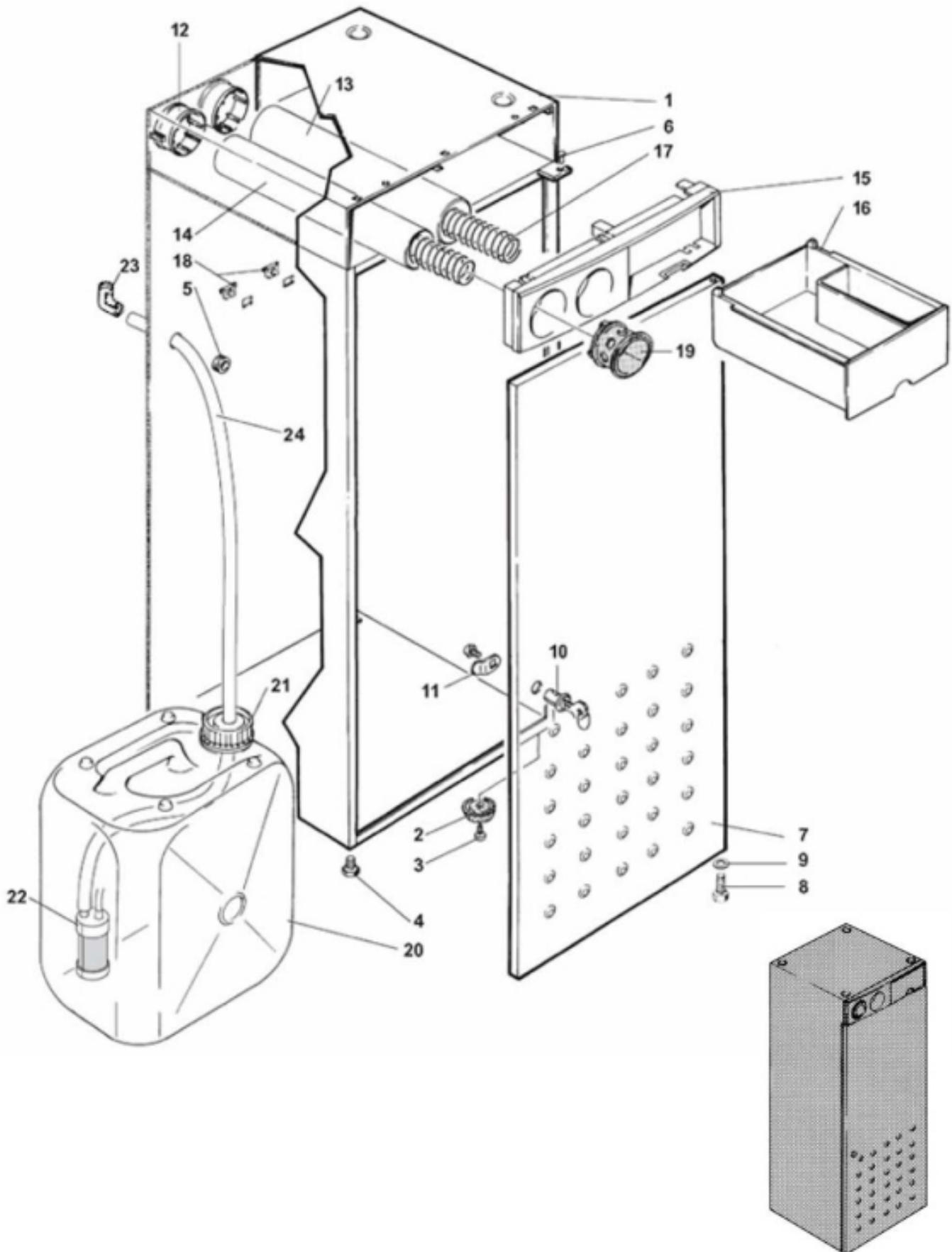
17. CPU Flashcard (from S/N 03280001)



17. CPU Flashcard (from S/N 03280001)

Pos.Nr.	Article description	Article Nr.
*	FLASH CARD SET	500008
1	CPU/ POWER W/HOLDER	SCH0004400
1a	EA RAM 25LC640	ELT0030067
1b	TRANSISTOR VNP14NV04-E ST	ELT0004028
1c	TRANSISTOR BDW93C	ELT0004020
1d	MCT INTEGRATED 6 Q.T.	ELT0030140
1e	2-WAY 24V D.C. 10A RELAY	ELT0007159
1f	1-WAY 24V D.C. 10A RELAY	ELT0007151
1g	5A SLOW-BLOW GLASS FUSE 5x20	ELE0003028
1h	2A RAPID GLASS FUSE 5x20	ELE0003025
1i	TRANSISTOR BTS 141	ELT0004026
1l	INTEGRATED CIRCUIT 7812	ELT0030305
1m	INTEGRATED CIRCUIT 7805	ELT0030301
1n	TRIAC TRIAC 16 A	ELT0004209
2	DISPLAY	SCH0005280
4	Interface Box FlashCard	500007
4	FLASH 2004 XM From serial 0518	SCH0006100
6	CPU/POWER CONNECTOR 8LINES PHO	ELT0030564
9	RIBBON CABLE 16P.	ELT0030471
9	RIBBON CABLE 10P.	ELT0030477
10	RHEA FLASH MEMORY	ELT0030068
11	FLSH CARD READER 24PIN SUB D	ELT0030069R
11	Flashcard Twincard Set 3.5 B	KIT100110
12	BOARD SUPPORT	ELE0062008

18. XS-Base



18. XS-Base

Pos.Nr.	Article description	Article Nr.
*	IMMERSION PUMP KIT	100520
*	CINO Aqua-Modul + Canister 20L	100501
1	FLOOR-STANDING CABINET	0010020316
2	PLASTIC FOOT	GUA0011001
3	TAPPING SCREW TCB 3.5 x 9.5	VIT0002401
4	SCREW TE M8x25	VIT0000215
5	MEMBRANE CORE HITCH Ø 21	GUA0010502
6	DOOR HINGE UPPER PIN	0010020313
7	DOOR FOR FLOOR-STANDING CABINE	0010020317
8	SCREW TE M4x10	VIT0000205
9	WASHER D.8 x 4.3 x 0.8	VIT0003003
10	BOX 5 RAPID EXTENSION LOCK	SER0000010
11	DOOR LOCK BRACKET TYPE 6	SER0001008
12	CUP TUBE SUPPORT	0010020324
13	CUP GUIDING TUBE DIAM. 70	0010020325
14	CUP GUIDING TUBE DIAM. 57	0010020326
15	FRONT COVER FOR CABINET	0010020311
16	FRONT COVER DRAWER	0010020312
17	CUP PUSHING SPRING	0010020334
18	NUT IN RETAINER M4	VIT0009104
19	REDUCTION FOR CUPS D.57	0010020318
20	20 LT. CANISTER	CON0000304
21	CANISTER COVER for 20L CANISTE	CON0000305
22	PUMP AQUAMODULE 24V/DC	0013657900
23	TGV PUMP ELBOW	0100003013
24	TRANSPARENT SILICONE PIPE D.7	TSIL07/11T

Your Service and Consulting Partner