



● cafe

Cino XX-OC PB_SM

Sparepart book

Release: 31.07.2008

Automatically generated at 15.10.2008



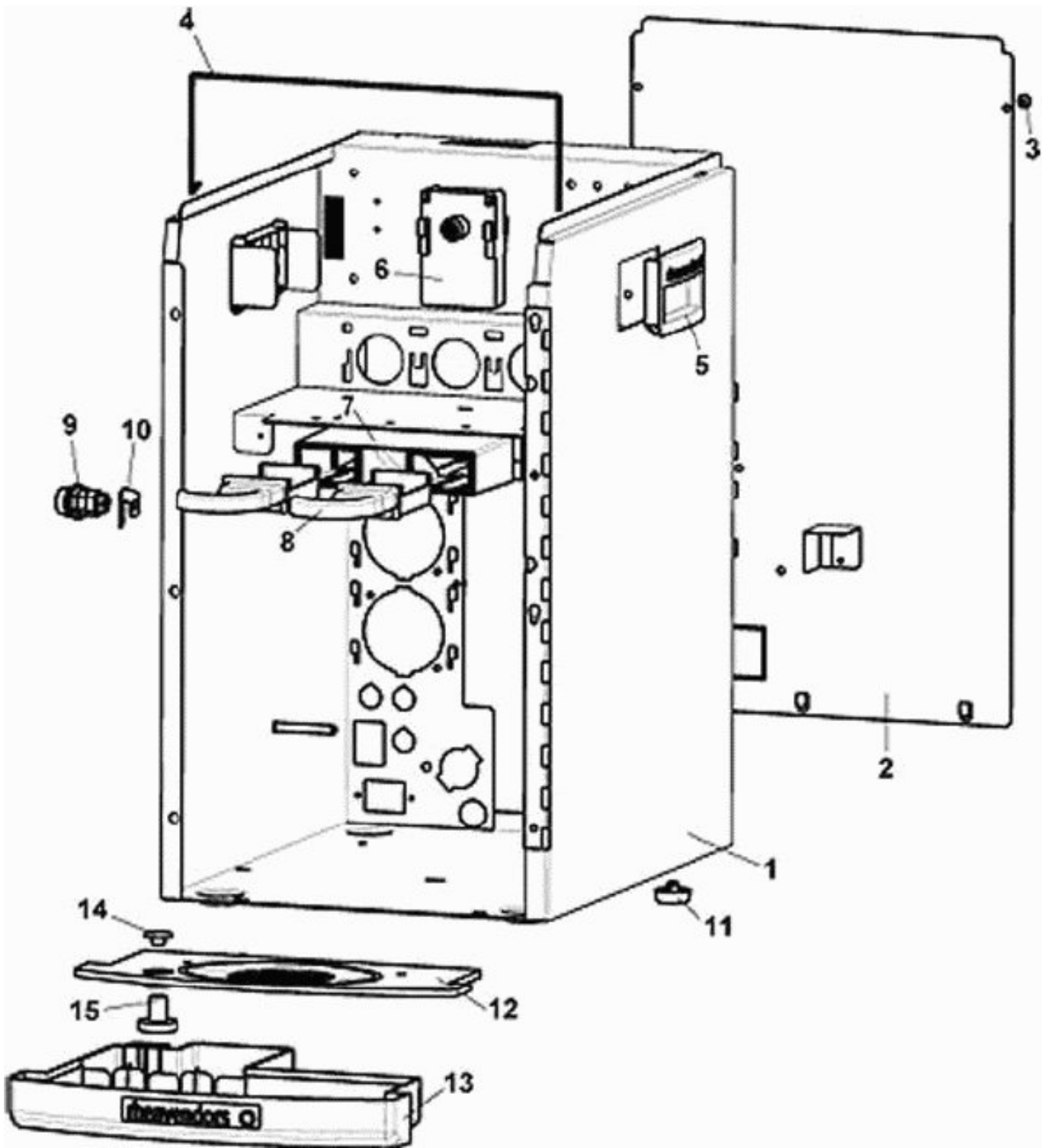
Table of content

1. Cabinet Speedmix- exploded diagramm	1
1. Cabinet Speedmix- Article List.....	2
2. Cabinet Pressobean- exploded diagramm	3
2. Cabinet Pressobean- Article List.....	4
3. Mounting Microbrewer- exploded diagramm	5
3. Mounting Microbrewer- Article List.....	6
4. Cabinet Rear View Speedmix- exploded diagramm	7
4. Cabinet Rear View Speedmix- Article List	8
5. Cabinet Rear View Pressobean- exploded diagramm	9
5. Cabinet Rear View Pressobean- Article List	10
6. Cabinet Cover- exploded diagramm	11
6. Cabinet Cover- Article List	12
7. Door- exploded diagramm	13
7. Door- Article List	14
8. Mixer Bowls Speedmix- exploded diagramm	15
8. Mixer Bowls Speedmix- Article List.....	16
9. Mixer Bowls Pressobean- exploded diagramm	17
9. Mixer Bowls Pressobean- Article List.....	18
10. MICRO COFFEE GROUP MOTOR SUPPORT- exploded diagramm	19
10. MICRO COFFEE GROUP MOTOR SUPPORT- Article List.....	20
11. Mill Group- exploded diagramm	21
11. Mill Group- Article List.....	22
12. Microbrewer- exploded diagramm	23
12. Microbrewer- Article List	24
13. Coffee Beans Container- exploded diagramm	27
13. Coffee Beans Container- Article List.....	28
14. Products Container- exploded diagramm	29
14. Products Container- Article List	30
15. Watertank Speedmix- exploded diagramm	31
15. Watertank Speedmix- Article List.....	32
16. Watertank Pressobean- exploded diagramm	33
16. Watertank Pressobean- Article List.....	34
17. Boiler Speedmix- exploded diagramm	35
17. Boiler Speedmix- Article List.....	36
18. Boiler Pressobean- exploded diagramm	37
18. Boiler Pressobean- Article List.....	38
19. Pump with Bypass- exploded diagramm	39
19. Pump with Bypass- Article List.....	40
20. Water Inlet Group (Tank Version)- exploded diagramm	41
20. Water Inlet Group (Tank Version)- Article List	42
21. Water Inlet Group (for direct Water Inlet Version)- exploded diagramm	43
21. Water Inlet Group (for direct Water Inlet Version)- Article List.....	44
22. CPU- exploded diagramm	45
22. CPU- Article List.....	46

Table of content

23. Water Flow Diagramm- exploded diagramm	47
23. Water Flow Diagramm- Article List	48
Orderfax-Form	49

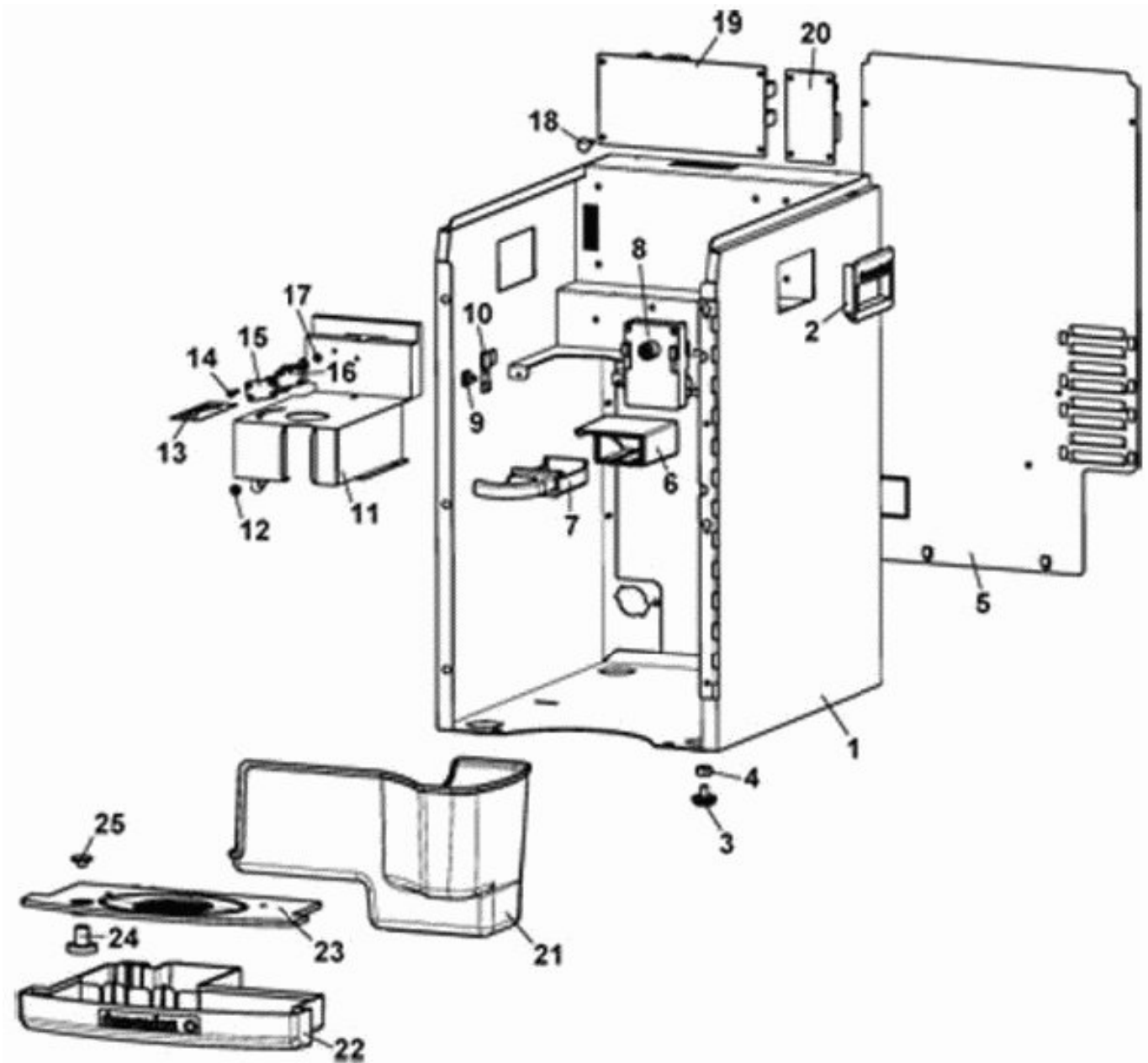
1. Cabinet Speedmix



1. Cabinet Speedmix

Pos.Nr.	Article description	Article Nr.
1		0010027335
2	BACK COVER	0010027018
3	TAPPING SCREW TCB 3.5 x 9.5	VIT0002401
4	UPPER COVER CONNECTION	0010027029
5	EXTERNAL HANDLE	0010027058
6	MR NCJM2480-X 24VDC	0090002113
7	EXHAUST DRAWER	0010027021
8	EXTERNAL EXHAUST DRAWER	0010027022
9	LOCK 154 BOX 5 DT mm 20 RAPID	SER0000024
10	LOCK BRACKET	0020035615
11	D.25 SELFLOCKING FEET WITH PIN	GUA0011011
12	WATER COLLECTION TRAY XX OC	0020037117NA
13	WATER TRAY EUROCOLOR BLACK 980	0020037116NC
14	ZoII RAL3020 XX	0020037045
15	FLOATER ASSEMBLY	0020037044
15	ZoII RAL3020 XX	0020037046

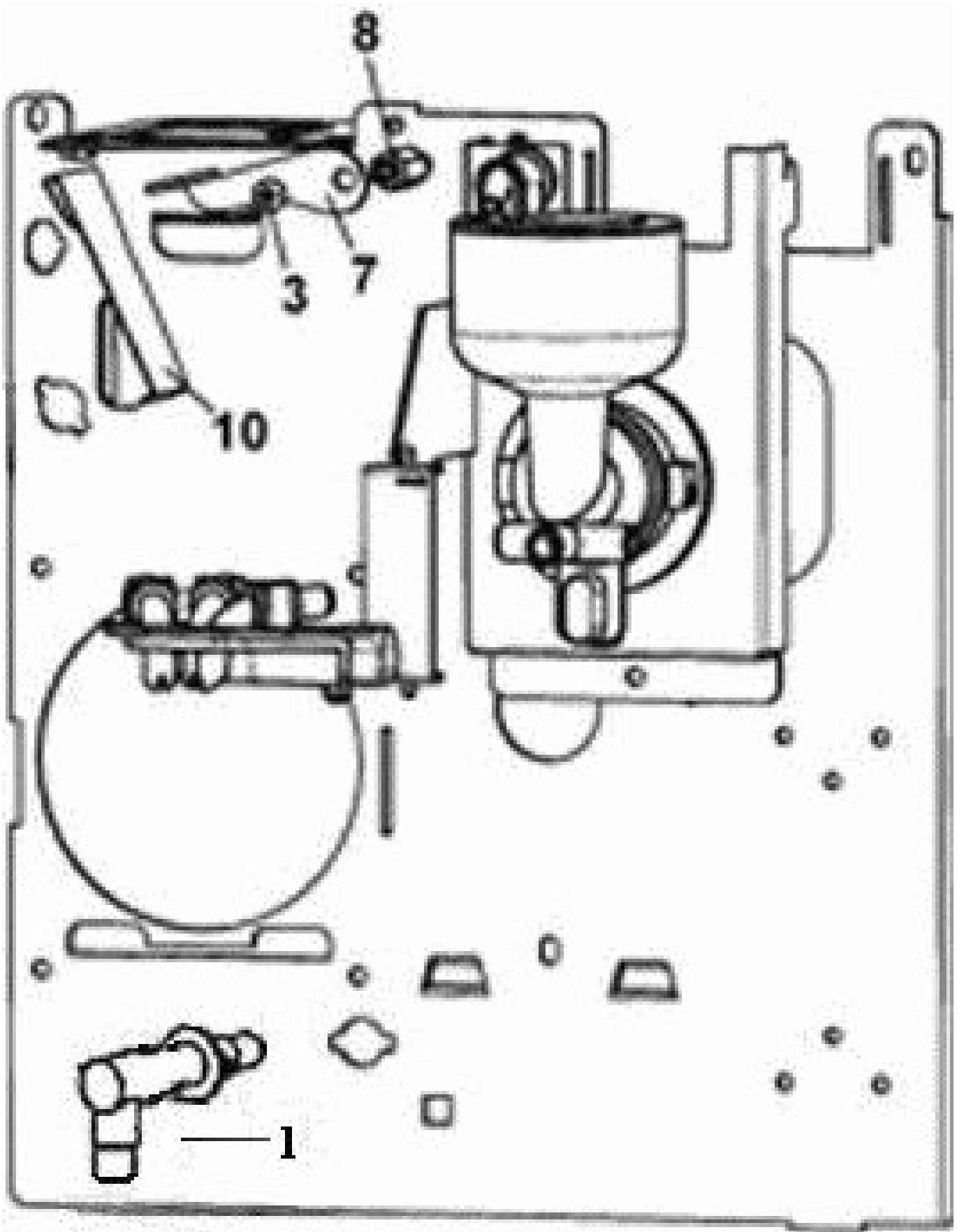
2. Cabinet Pressobean



2. Cabinet Pressobean

Pos.Nr.	Article description	Article Nr.
1		0010027425
2	EXTERNAL HANDLE	0010027058
3	CABINET FEET ASSEMBLY	0010020169
4		VIT0004508
5	RÜCKWAND XX PB	0010027228
6		0010027214
7	EXTERNAL EXHAUST DRAWER	0010027022
8	MR NCJM2480-X 24VDC	0090002113
9	ADHESIVE CABLE STOP	ELE0062253
10	SERVICE KEY ASSEMBLY	0270011109CL
11		0010027248
12	TAPPING SCREW TCB 3.5 x 9.5	VIT0002401
13		0010027249
14	M 3x20 TCB SCREW	VIT0000007
15	MICRO SPACER	4600010014
15	161 E R 24.1 MICRO LEVER	ELE0001906
16	1-WAY 16 A 250 V MICROSWITCH	ELE0001522
17	M3 FR NUT	VIT0004701
18	BOARD SUPPORT	ELE0062013
19	CPU POWER	SCH0006600
20	INTERFACE MDB BARISTA/XX PB	SCH0007200
20	CPU EXPANSION ONLY FOR ESPRESSO	SCH0006620
21	GROUNDS CONTAINER	0010027229
22	WATER TRAY EUROCOLOR BLACK 980	0020037116NC
23	WATER COLLECTION TRAY XX OC	0020037117NA
24	FLOATER ASSEMBLY	0020037044
24	ZoII RAL3020 XX	0020037046
25	ZoII RAL3020 XX	0020037045

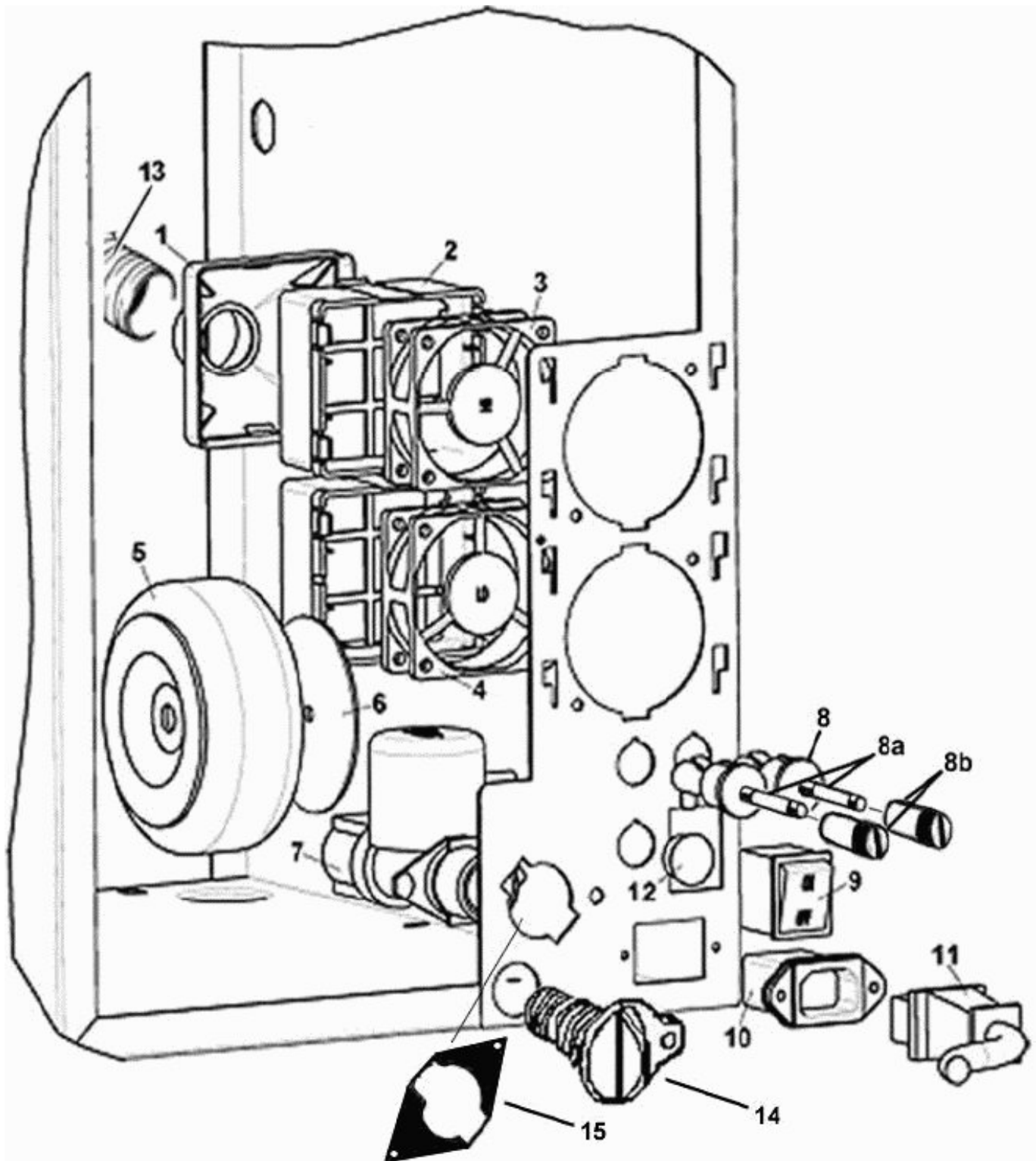
3. Mounting Microbrewer



3. Mounting Microbrewer

Pos.Nr.	Article description	Article Nr.
1	90° CONNECTION	0080100084
3	SCREW TCB M4 x 7	VIT0000030
7	COFFEE BEANS GROUP FIXING LEVE	0010027226
8		0010020196
10	COFFEE BEANS GROUP COBE CHUTE	0250008038

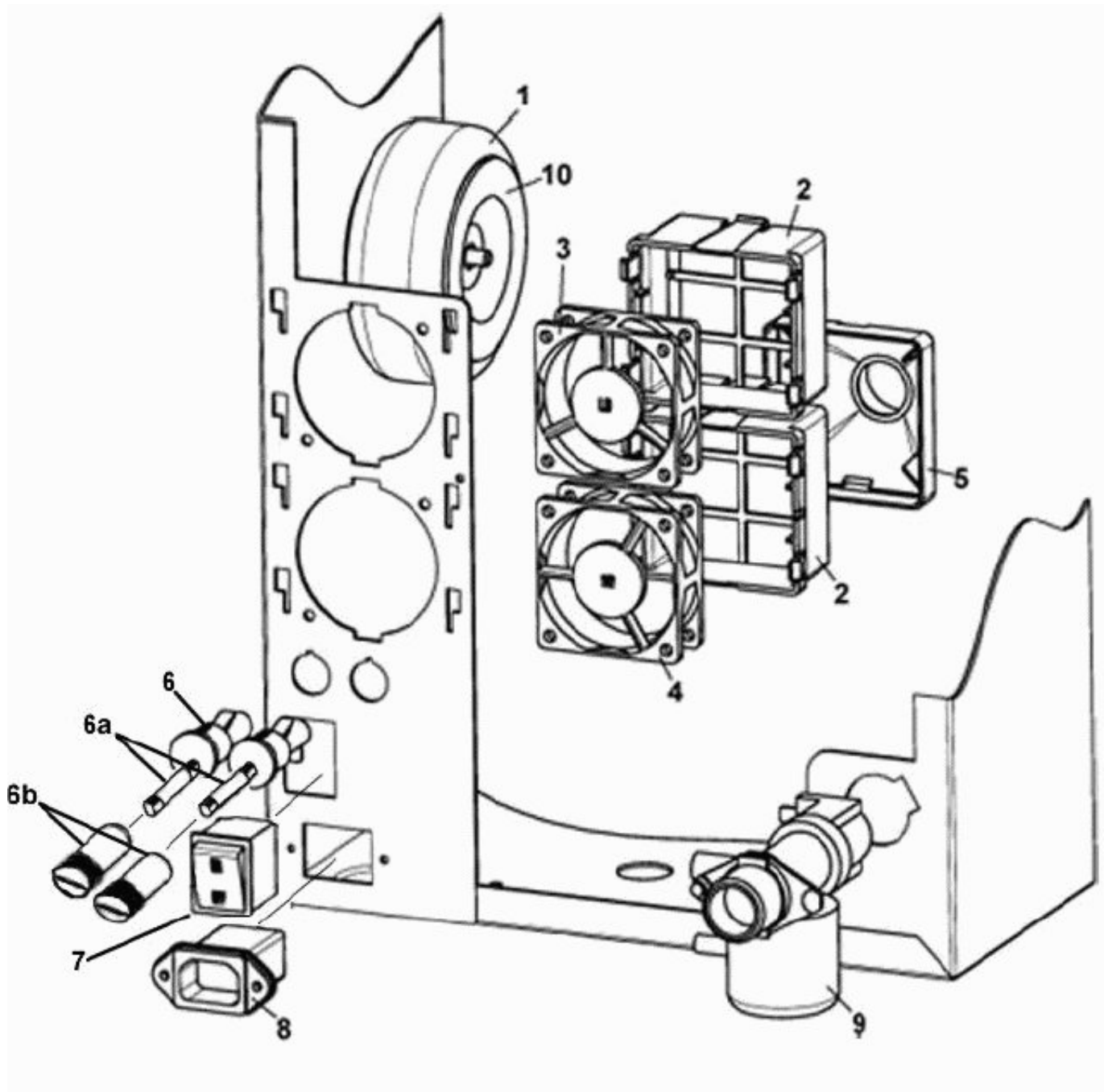
4. Cabinet Rear View Speedmix



4. Cabinet Rear View Speedmix

Pos.Nr.	Article description	Article Nr.
1	CONNECTION CONDUIT	0010027065
2	FAN TRAY	0010027064
3	AXIAL FAN AD0624HS 24DC	ELE0000461
4	AXIAL FAN FL0625LD 24DC	ELE0000462
5	TOROIDAL TRANSFORMER 230V	ELE0000555CL
6	TRANSFORMER DISK	0010027319
7	24 DC INLET VALVE W/SAFETY DEV	0110001039
8	FUSES HOLDER FH-C0345+FUSE12A	ELE0003508CL
8 a	SLOW-BLOW CERAMIC TYPE 6.3A FU	ELE0003024
8 b	FUSES HOLDER	ELE0003507
9	15A 250V ON/OFF UL/CSA BIPOLAR	ELE0002014
10	FILTER SOCKET 115/250V 10A	ELE0002315
11	POWER LEAD 3 x 1 SOCKET AND SC	ELE0055008
12	RELEASE PLUG	GUA0011010
13	EXTERNAL WRINKLED PIPE XX	TEOL000001CL
14	H2O RAPID DISCHARGE PLUG	0600016455
15	EV HOLE PLUG	0010020839

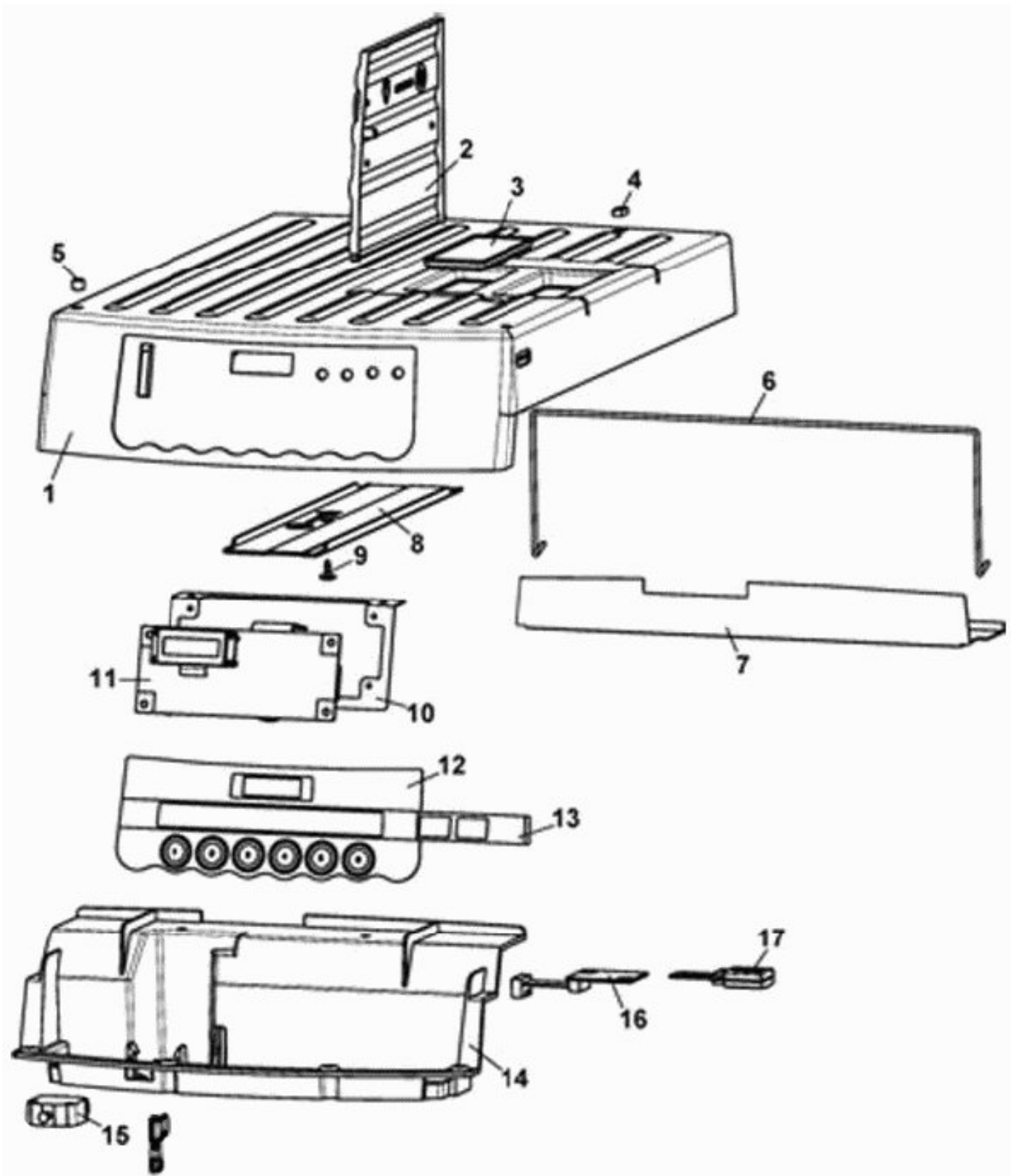
5. Cabinet Rear View Pressobean



5. Cabinet Rear View Pressobean

Pos.Nr.	Article description	Article Nr.
1	TOROIDAL TRANSFORMER 230V	ELE0000555CL
2	FAN TRAY	0010027064
3	AXIAL FAN AD0624HS 24DC	ELE0000461
4	AXIAL FAN FL0625LD 24DC	ELE0000462
5	CONNECTION CONDUIT	0010027065
6	FUSES HOLDER FH-C0345+FUSE12A	ELE0003508CL
6 a	SLOW-BLOW CERAMIC TYPE 6.3A FU	ELE0003024
6 b	FUSES HOLDER	ELE0003507
7	15A 250V ON/OFF UL/CSA BIPOLAR	ELE0002014
8	FILTER SOCKET 115/250V 10A	ELE0002315
9	EV.DIS.SICUR.800.150 MOD.24VDC	0110001058
10	TRANSFORMER DISK	0010027319

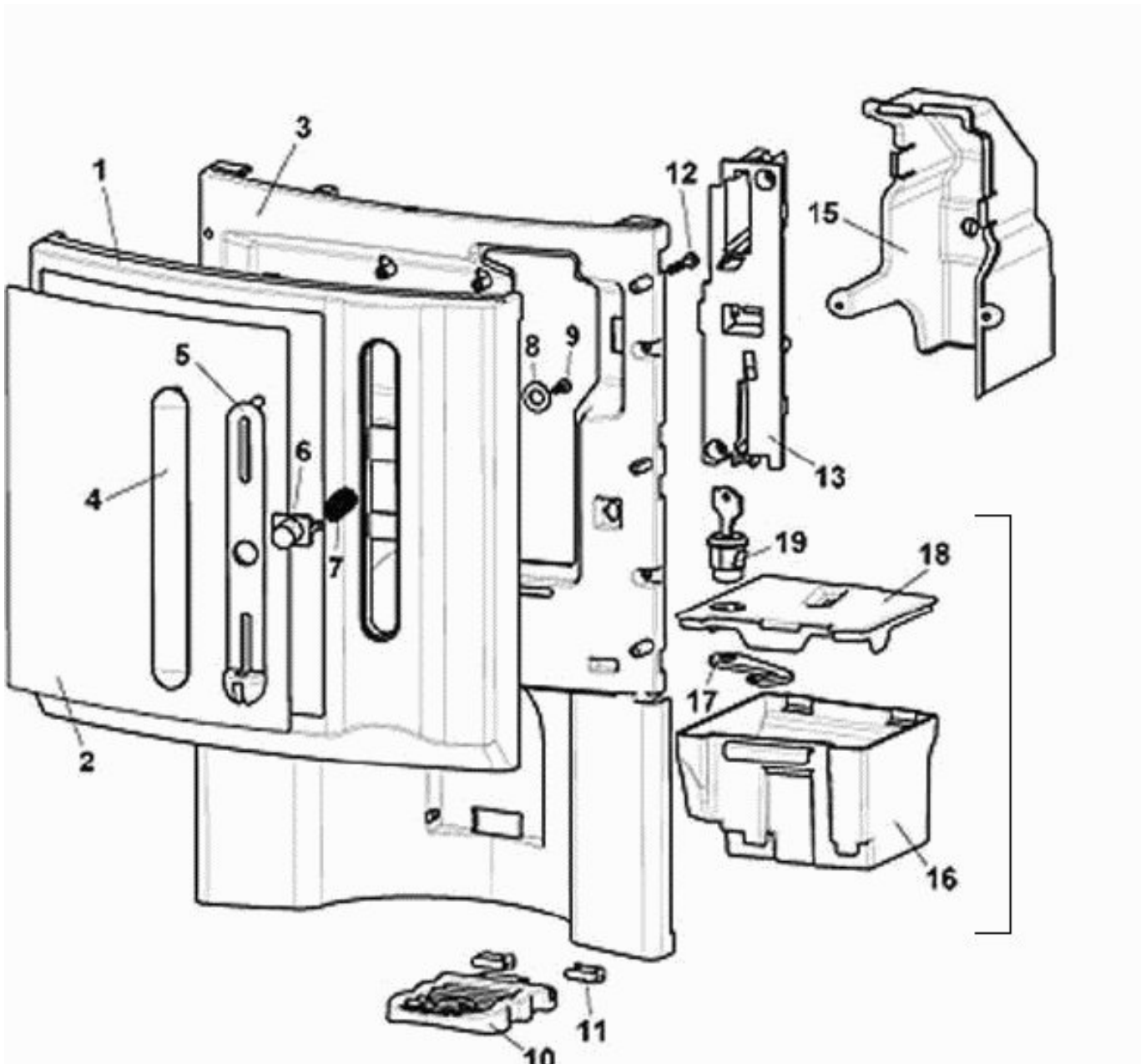
6. Cabinet Cover



6. Cabinet Cover

Pos.Nr.	Article description	Article Nr.
1		0010027251NA
2	H2O COVER BLACK	0010027252NA
3	RING SUPPORT PLUG	0010027343
4	H2O HOLE PLUG	0010027259
5	RING PLUG	0010027344
6	UPPER COVER CONNECTION	0010027262
7	UPPER COVER HINGE	0010027045
8	ABDECKUNG KABELKANAL BARISTA	0010027274
9	TAPPING SCREW TCB 3.5 x 9.5	VIT0002401
10	DISPLAY BOARD SUPPORT	0010027268
11	DISPLAY BOARD	SCH0005840
12	KEYBOARD	0010027351
13	PRODUCT SIGN XX-OC	0010027370
14	BLACK	0010027253NA
15	SWITCH 16A-250V UL	ELE0002019
16	FLASH BOARD	SCH0005860
17	RHEA FLASH MEMORY	ELT0030068
18	SERVICE KEY ASSEMBLY	0270011109CL

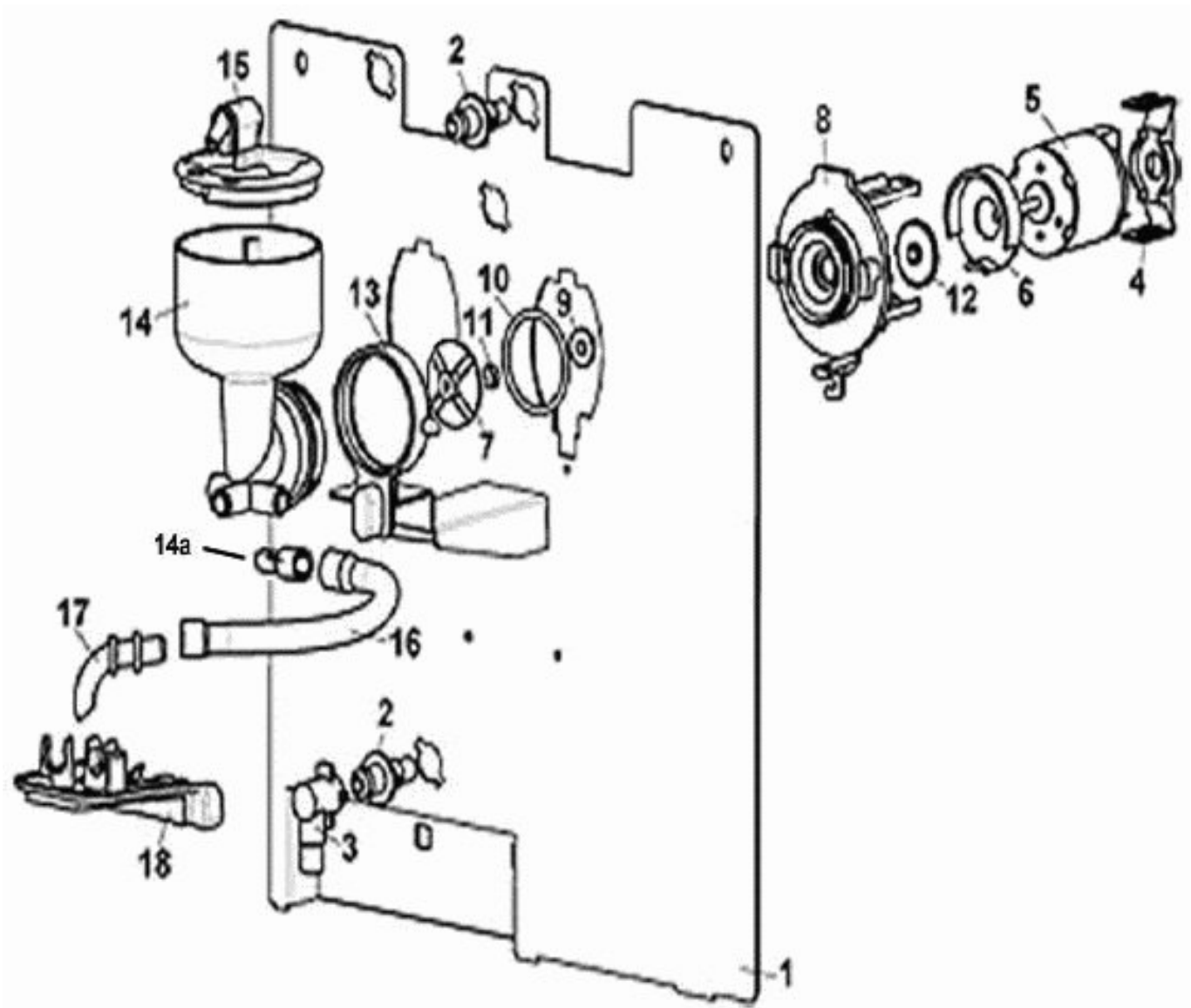
7. Door



7. Door

Pos.Nr.	Article description	Article Nr.
*	COIN BOX ASSEMBLY (FROM POS. 1	0020037125CL
1	XX OC DOOR BLACK	0020037143NA
1	XX OC DOOR SILVER	0020037143cm
2	XX-OC CAFE LABEL	0020037157
2	Panel XX PB	100633
3	DOOR STRUCTURE	0020037142
4	BLACK COIN BOX BLOCKING TAB	0020035029NA
5	BLACK COIN BOX TAB	0020035031NA
6	RED COIN RETURN BUTTON 3020	0020035033KA
7	COIN RETURN BUTTON SPRING	0020035034
8	8.4x17x1.6 WASHER	VIT0003006
9	SCREW TC 3.5 x 10 FOR PLASTIC	VIT0002469
10	CUP SUPPORT TRAY BLACK	0020037122NA
11	CUP SUPPORT PIN BLACK	0020037124
12	SCREW TCCRT 4,2 x 26	VIT0002461
13	COIN BOX SUPPORT	0020035032NA
15	COIN BOX PROTECTION	0020037129
16	COIN BOX	0020037126
17	COIN BOX HOOK	0020037128
18	COIN BOX COVER	0020037127
19	154 RAPID BOX LOCK *	SER0000015

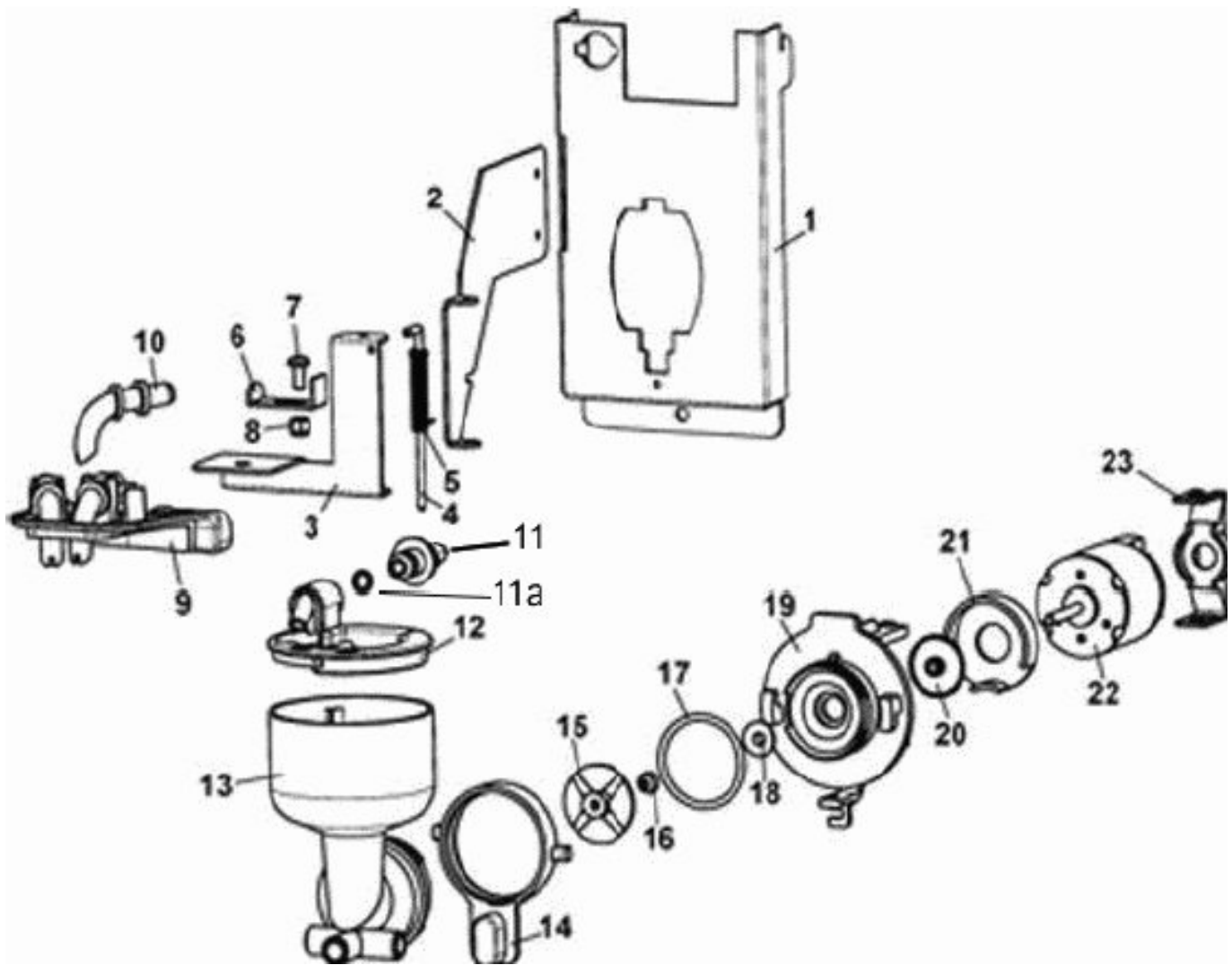
8. Mixer Bowls Speedmix



8. Mixer Bowls Speedmix

Pos.Nr.	Article description	Article Nr.
*	MIXER BASE+MOTOR ASSEMBLY assi	0080100001R
1	MIXER PLAN MERCEDES GREY RAL 9	0010027315CM
2	SHORT MIXER INSERT	0080100043
3	Overflow fitting	0600016030
4	MOTOR HOUSING CONNECTION ORANG	0080100009
5	24 V DC MIXER MOTOR SHAFT D.4	0090003023
6	SMALL FAN MIXER SHAFT D.4	0080100011
7	SMALL FAN MIXER SHAFT D.4	0080100011
8	MIXER BASE	0080100005
9	MIXER BASE BUSH	0080100015
10	OR 3131	GUA0000084
11	MIXER SHAFT GASKET (V-RING)	0080100014
12	DRIP TRAP FAN	0080100024
13	STOPPER RING ORANGE RAL 2011	0080100006
14	MIXER BODY NO INLET	0080100041
14a	COFFEE OUTLET REDUCTION D.4	0080100044
15	MIXER TRAP WITH INLET	0080100042
16	TRANSPARENT SILICONE PIPE	TSIL06/11T
17	INGREDIENT PIPE	0010020052
18	PIPES SUPPORT BLACK	0020037123

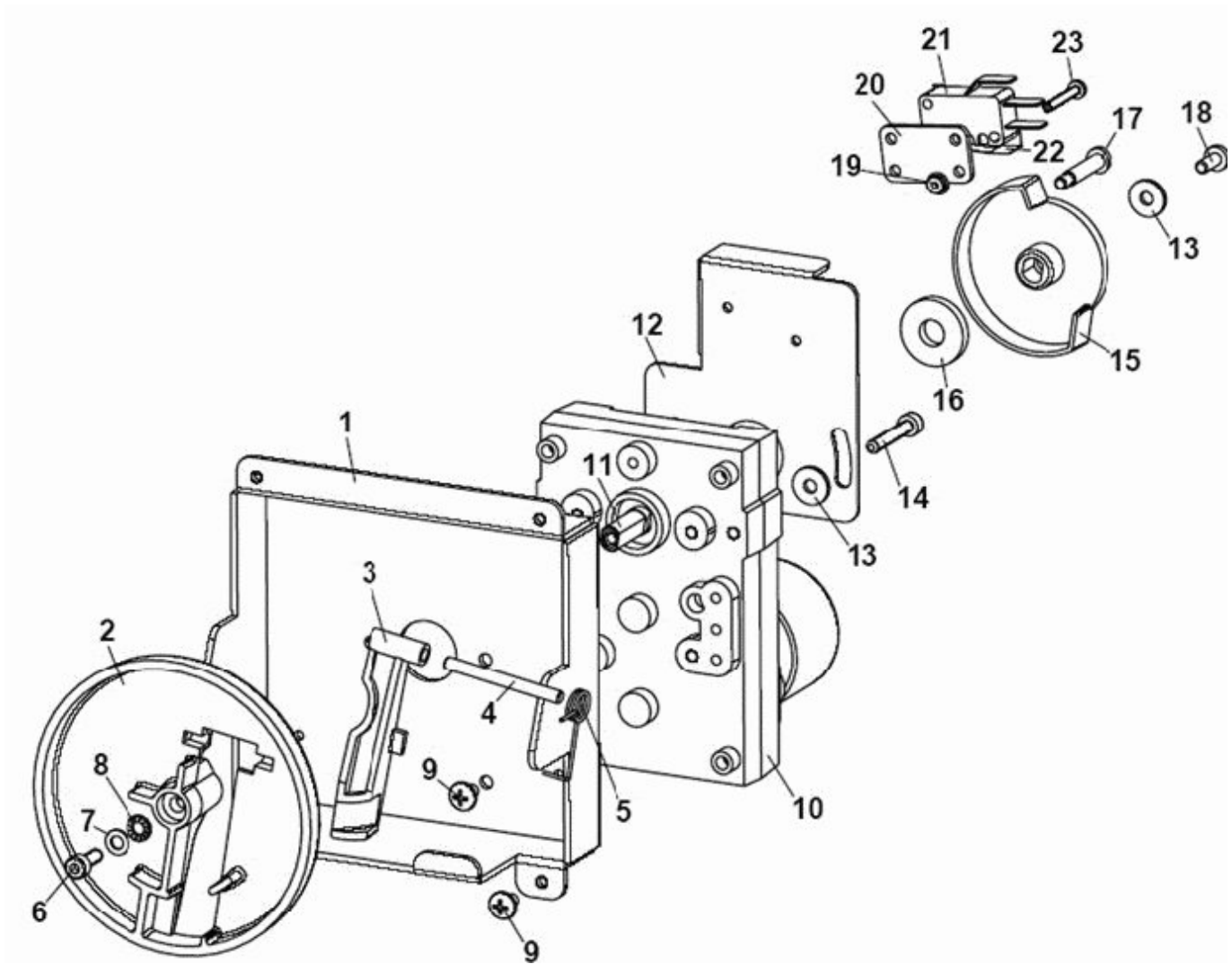
9. Mixer Bowls Pressobean



9. Mixer Bowls Pressobean

Pos.Nr.	Article description	Article Nr.
*	MIXER BASE+MOTOR ASSEMBLY assi	0080100001R
1	HALTEBLECH MIXERMOTOR XX	0010027215
2	HALTEBLECH PRODUKTAUSL. XX PB	0010027246
3	HALTEWINKEL PRODUKTAUSL. XX PB	0010027247
4	JOIN PIN	0010020137
5	JOINT SPRING	0010020138
6	LEVER STOP JOIN	0010020737
7		VIT0000038
8	M 4 SELFLOCKING NUT	VIT0004810
9	PIPES SUPPORT BLACK	0020037123NA
10	INGREDIENT PIPE	0010020052
11	SHORT MIXER INSERT	0080100043
11a	SILICONE OR 106	GUA0000085
12	MIXER TRAP WITH INLET	0080100042
13	MIXER BODY NO INLET	0080100041
14	STOPPER RING ORANGE RAL 2011	0080100006
15	SMALL FAN MIXER SHAFT D.4	0080100011
16	MIXER SHAFT GASKET (V-RING)	0080100014
17	OR 3131	GUA0000084
18	MIXER BASE BUSH	0080100015
19	MIXER BASE	0080100005
20	DRIP TRAP FAN	0080100024
21	MIXER COVER ORANGE RAL 2011	0080100023
22	24 V DC MIXER MOTOR SHAFT D.4	0090003023
23	MOTOR HOUSING CONNECTION ORANG	0080100009

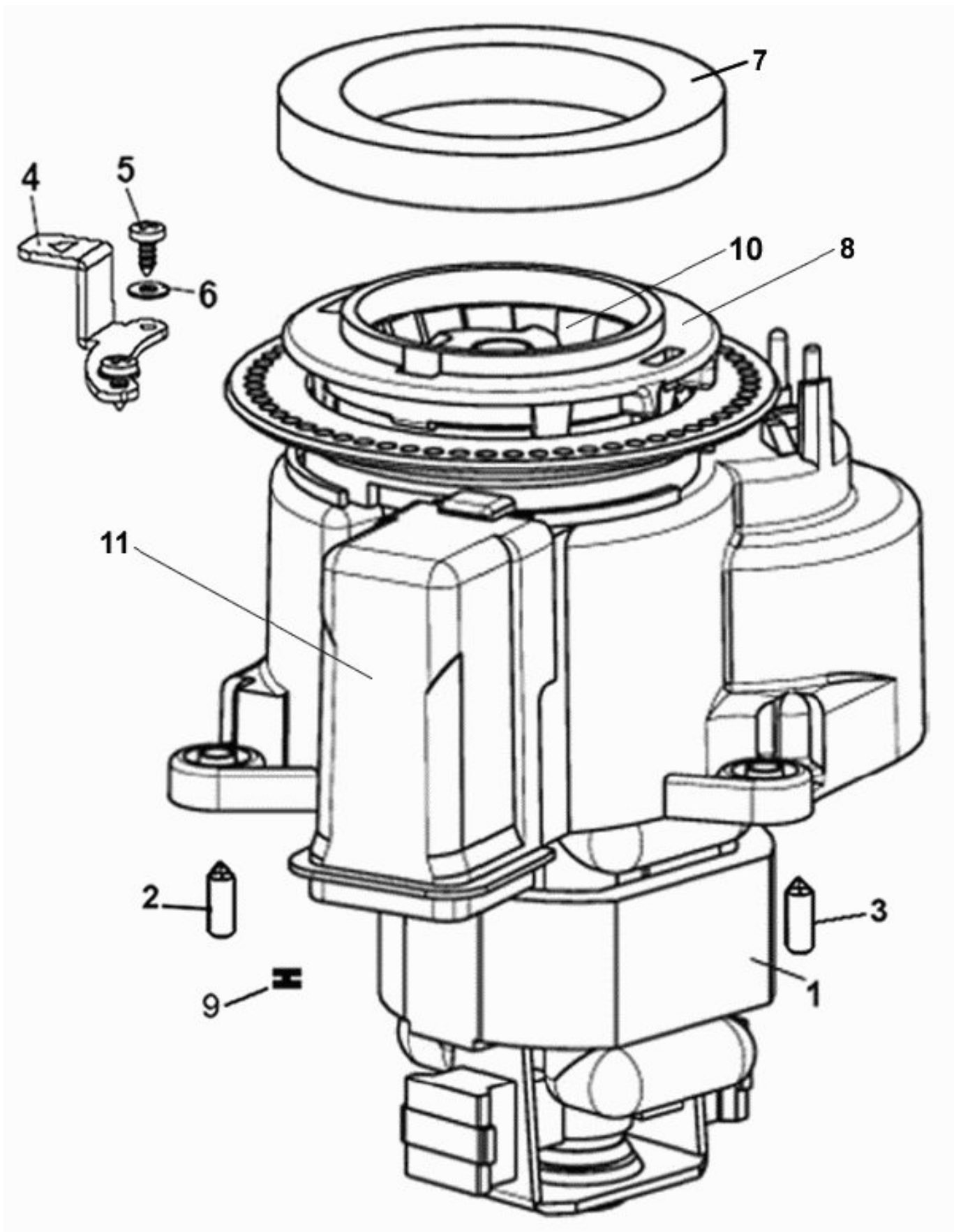
10. MICRO COFFEE GROUP MOTOR SUPPORT



10. MICRO COFFEE GROUP MOTOR SUPPORT

Pos.Nr.	Article description	Article Nr.
*		0090002191R
1		0260010128
2	MOTOR CRANK	0250008012
3	HOOKING LEVER	0250008034
4	4 x 40 CYLINDRICAL PIN	VIT0005205
5	SPRING FOR HOOKING LEVER	0250008059
6	4x12 TCEI SCREW	VIT0005508
7	WASHER D.8 x 4.3 x 0.8	VIT0003003
8	WASHER tab D. 4.3	VIT0003103
9	SCREW TCB M4 x 7	VIT0000030
10	11 RPM 24V DC MOTOR	0090002191
11	WELLE BRÜHERANTRIEB XX/BAR.	0090002181
12	MICRO PLATE	0250008093
13	WASHER D.12 x 4.3 x 1.5	VIT0003301
14	4x25 TCEI SCREW	VIT0005521
15	GROUP READER DISK	0250008043
16	MICRO SPACER	0250008091
17		0250008126
18	SCREW T.C.B. M 4 x 10	VIT0000012
19	M3 FR NUT	VIT0004701
20	MICRO SPACER	4600010014
21	MICRO 83.161.832	ELE0001528
22	MICRO LEVER	ELE0001904
23	M 3x20 TCB SCREW	VIT0000007

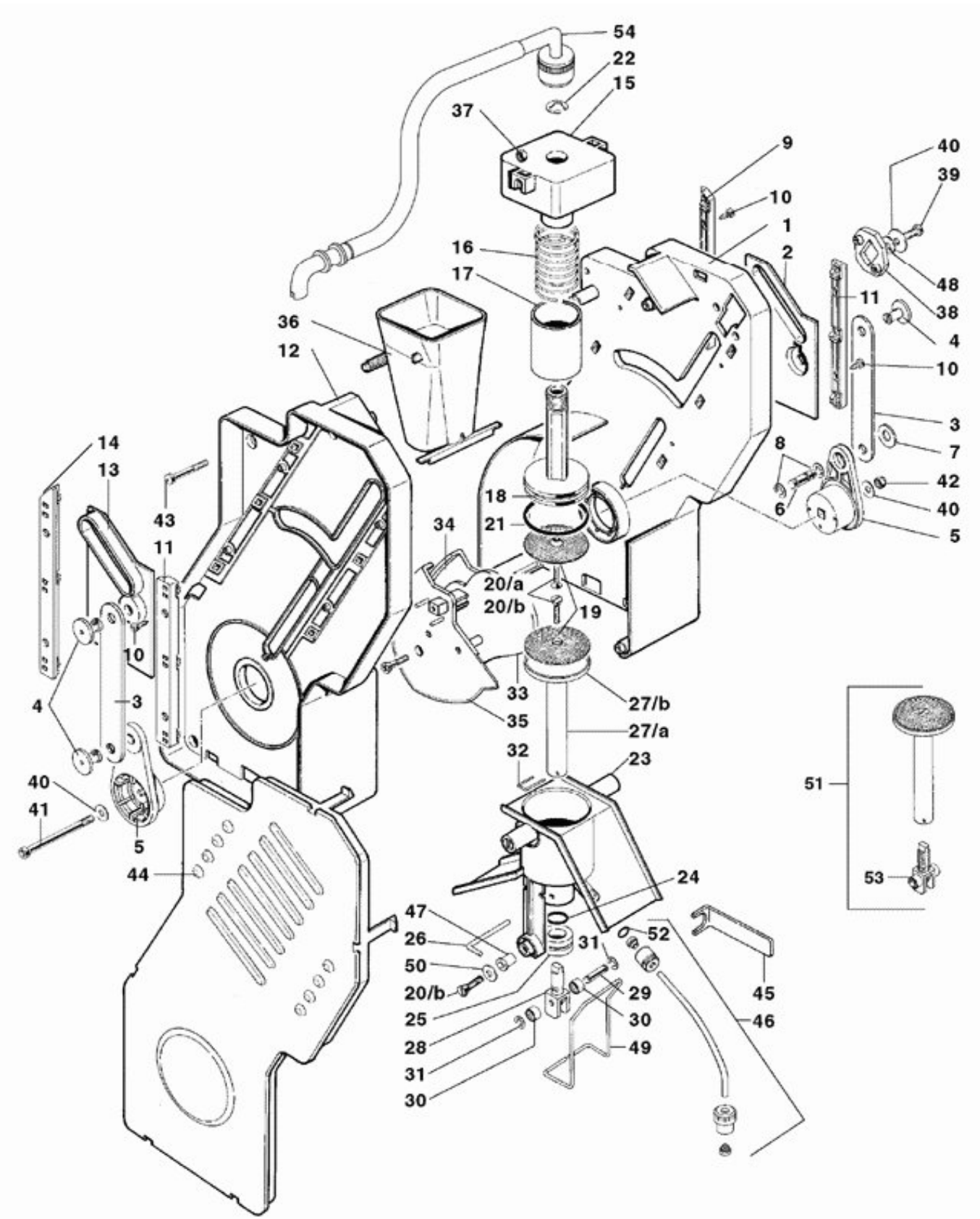
11. Mill Group



11. Mill Group

Pos.Nr.	Article description	Article Nr.
*	KIT MAHLWERKSDÄMMUNG BAR./XXOC	KIT100105
1	GRINDER GROUP XL PB	0320004500CL
2	TIE-BOLT 6-KT 4 X 16	WÜ0255416
3	TIE-BOLT 6-KT 4 X 20	WÜ0255420
4	E MILL REGULATION LEVER	0010027202
5	2.9x 6.5 TAPPING TCB SCREW	VIT0002001
6	D.3.2x7x0.5 WASHER	VIT0003002
7	E-MILL GASKET	0230015219
8	GRINDER DIAL XX	0320004503
9	20/65/15 ANTIVIBRATION	GUA0010551
10	GRINDER COUPLE XXPB	0320004506
11	COVER MILL OUTLET XX	0320004507

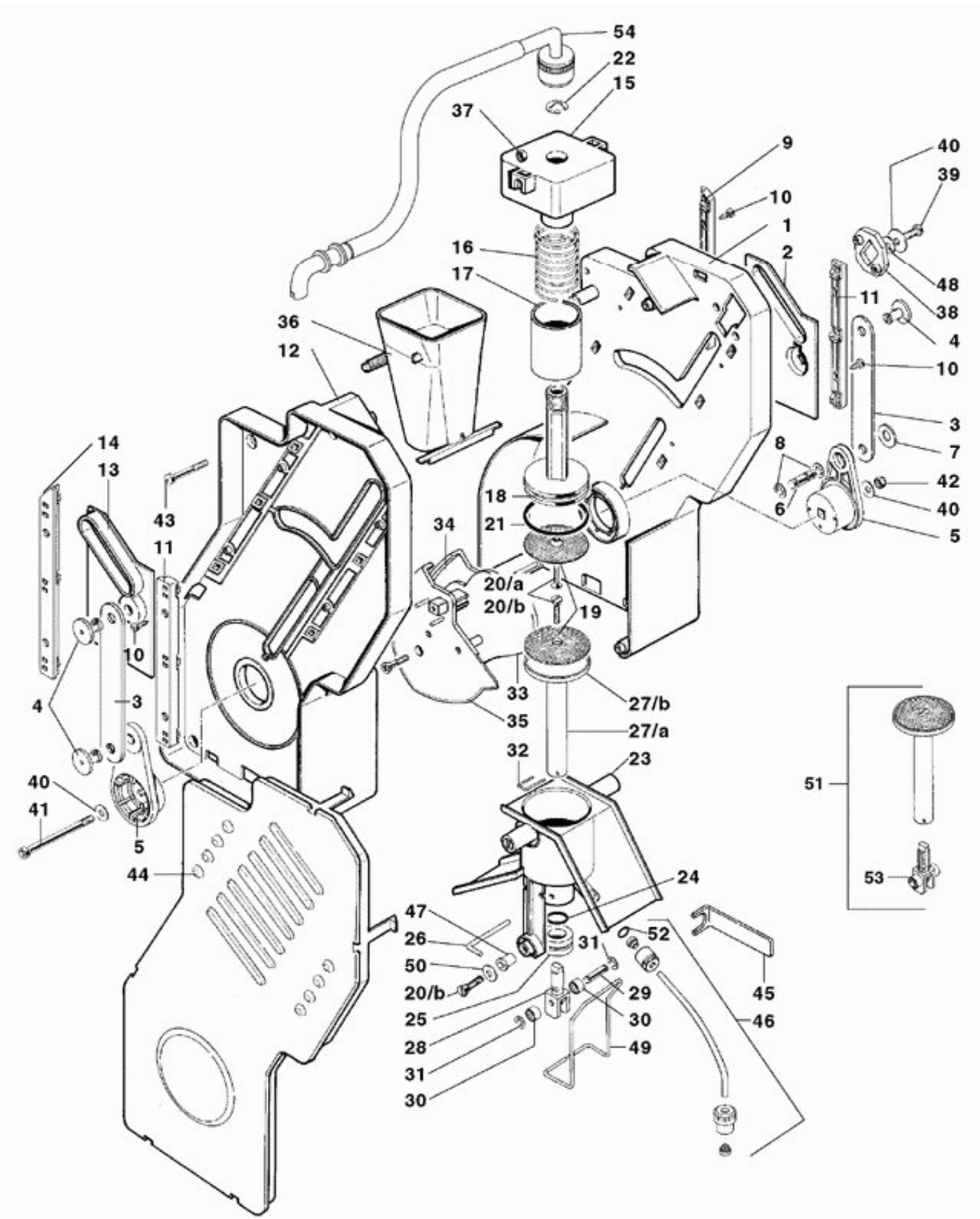
12. Microbrewer



12. Microbrewer

Pos.Nr.	Article description	Article Nr.
*	BREWER FILTER SUPPORT SHFT	0250008209R
*	D.40 UPPER FILTER ASSEMBLY 9gr	0250008208R
*	MICRO COFFEE GROUP D.40	0250008201R
1	BREWER HOUSING PB cplt.	0250008005R
2	NOCKE BRÜHKAMMER RECHTS	0250008084
3	CONNECTING ROD	0250008009
4	PIN FOR CONNECTING ROD	0250008028
5	R.H. CRANK	0250008011
6	MOTOR CRANK PIN	0250008014
7	ANTIVIBRATION WASHER	0250008042
8	D.5 RADIAL STOP RING	VIT0006515
9	R.H. REAR GUIDE	0250008031
10	TAPPING SCREW T.C.B. 3,5 x 6,5	VIT0002009
11	FRONT GUIDE	0250008033
12	BREWER HOUSING PB cplt.	0250008005r
13	L.H. INFUSION CHAMBER CAM	0250008085
14	L.H. REAR GUIDE	0250008032
15	UPPER FILTER SUPPORT	0250008086
16	UPPER FILTER SPRING	0250008024
17	SPRING COVER PIPE	0250008087
18	D.40 UPPER FILTER ASSEMBLY 9gr	0250008208r
19	FILTER D.40	0250008211
20a	M 3x14 TSP SCREW	VIT0001202
20b	M 3x8 TSP SCREW	VIT0000121
21	SILICONE 4131 OR	GUA0000097
22	D.8 STAINLESS STEEL INSIDE SEE	VIT0006513
23	INFUSION CHAMBER 9 gramm	0250008206R
24	SILICONE OR 112	GUA0000065
25	LOWER INLET CUP BUSH	0250008053
26	GLASS BUSH PIN	0250008029
27a	D.36 LOWER FILTER MICROBREWER	0250008108r
27b	LOWER FILTER BREWER 9gramm	0250008209IC
28	LOWER FILTER ROLL SUPPORT	0250008106
29	ROLL SHAFT	0250008021
30	ROLL SHAFT	0250008022
31	D.3.2 RADIAL STOP RING	VIT0006516
32	GLASS BUSH PIN	0250008029
33	FILTER EJECTION CAM	0250008083
34	R.H. FILTER RECOVERY CAM	0250008016
35	L.H. FILTER RECOVERY CAM	0250008017
36	SPRING	0250008119
36	COFFEE CONE	0250008036
37	STAINLESS STEEL NUT M4	VIT0004803
38	SETTING PLATE	0250008035
39	M 4x8 INOX TCB SCREW	VIT0000032
40	4.3x16x1.5 STAINLESS STEEL FLA	VIT0003309
41	4x60 STAINLESS STEEL TCEI SCRE	VIT0005523
42	M 4 SELFLOCKING NUT	VIT0004810

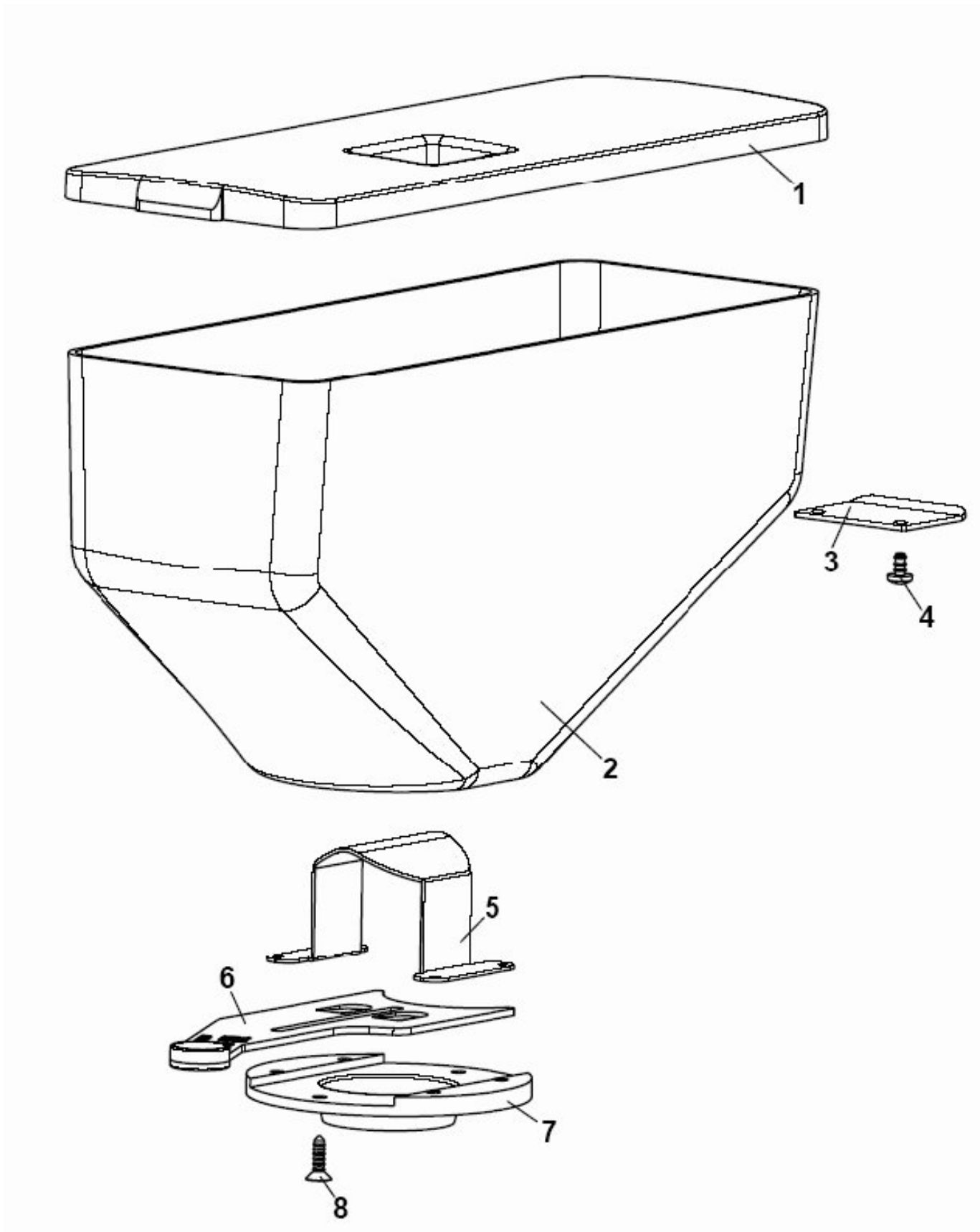
12. Microbrewer



12. Microbrewer

Pos.Nr.	Article description	Article Nr.
43	SCREW TCCRT 4,2 x 26	VIT0002461
44	L.H. FRAME COVER FOR COFFEE BE	0250008039CM
45	KEY FOR NUT	0250008048
46	WATER INLET PIPER ASSEMBLY	0250008110CL
47	M 3 CONNECTION FOR THERMOPLAST	VIT0009203
48	GROWER SPRING WASHER	VIT0003451
49	SCRAPER	0250008094
50	WASHER FOR CHAMBER CAM	0250008088
51	D.36 LOWER FILTER+ROLL SUPPORT	0250008109R
52	2010 VITON OR	GUA0000061
53	LOWER FILTER ROLL SUPPORT	0250008107R
54	COFFEE OUTLET PIPE ASSEMBLY	0250008076CL

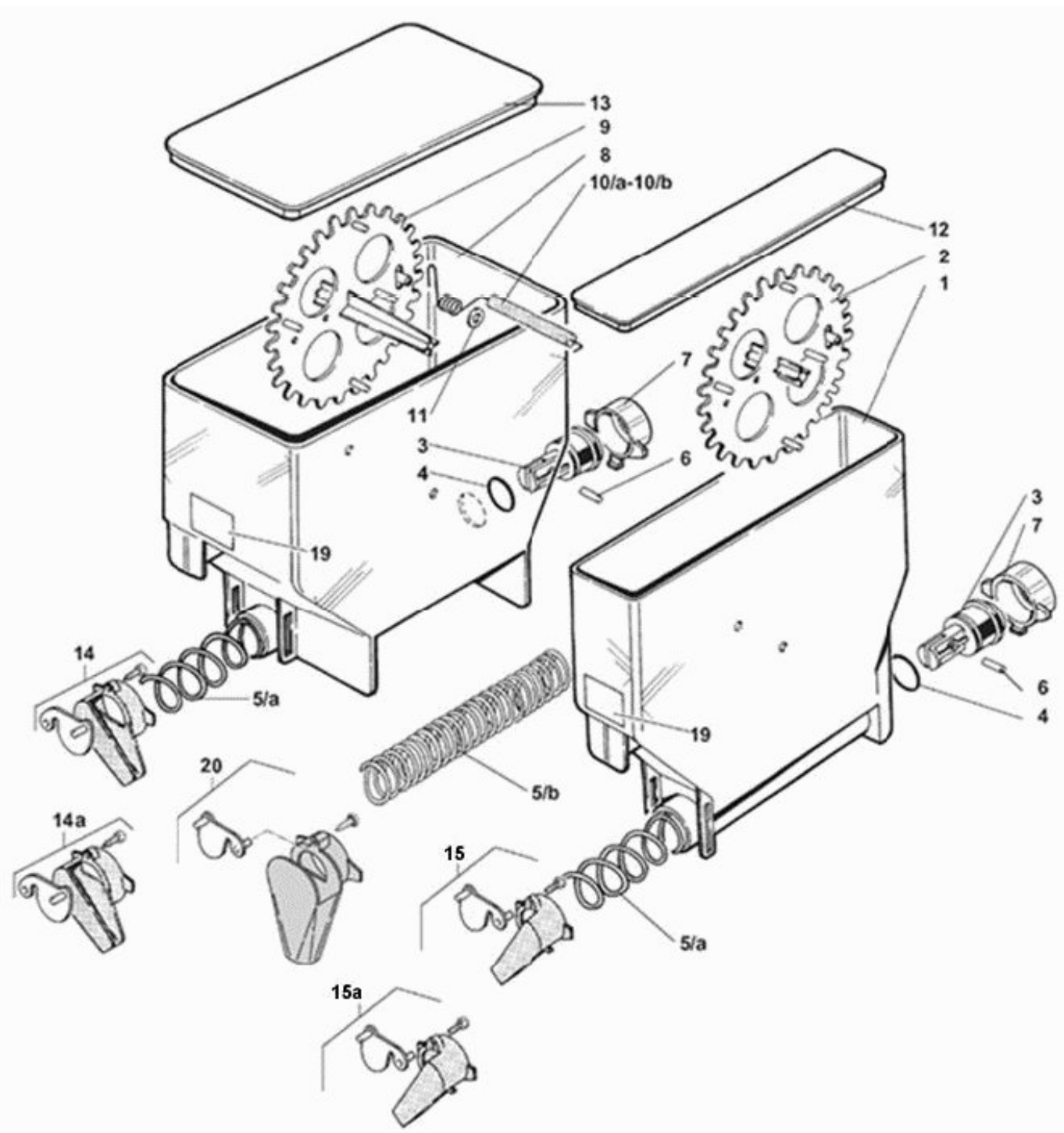
13. Coffee Beans Container



13. Coffee Beans Container

Pos.Nr.	Article description	Article Nr.
*	ASSEMBLED COFFEE CONTAINER	0230015210CL
1	COFFEE CONTAINER COVER	0230015217
2	COFFEE CONTAINER	0230015213
3		0230015212
4	TAPPING SCREW T.C.B. 3,5 x 6,5	VIT0002009
5		0230015218
6	RED COFFEE CONTAINER BLADE ORA	0230015072
7		0230015215
8	3.9x 13 TAPPING TCB SCREW	VIT0002101

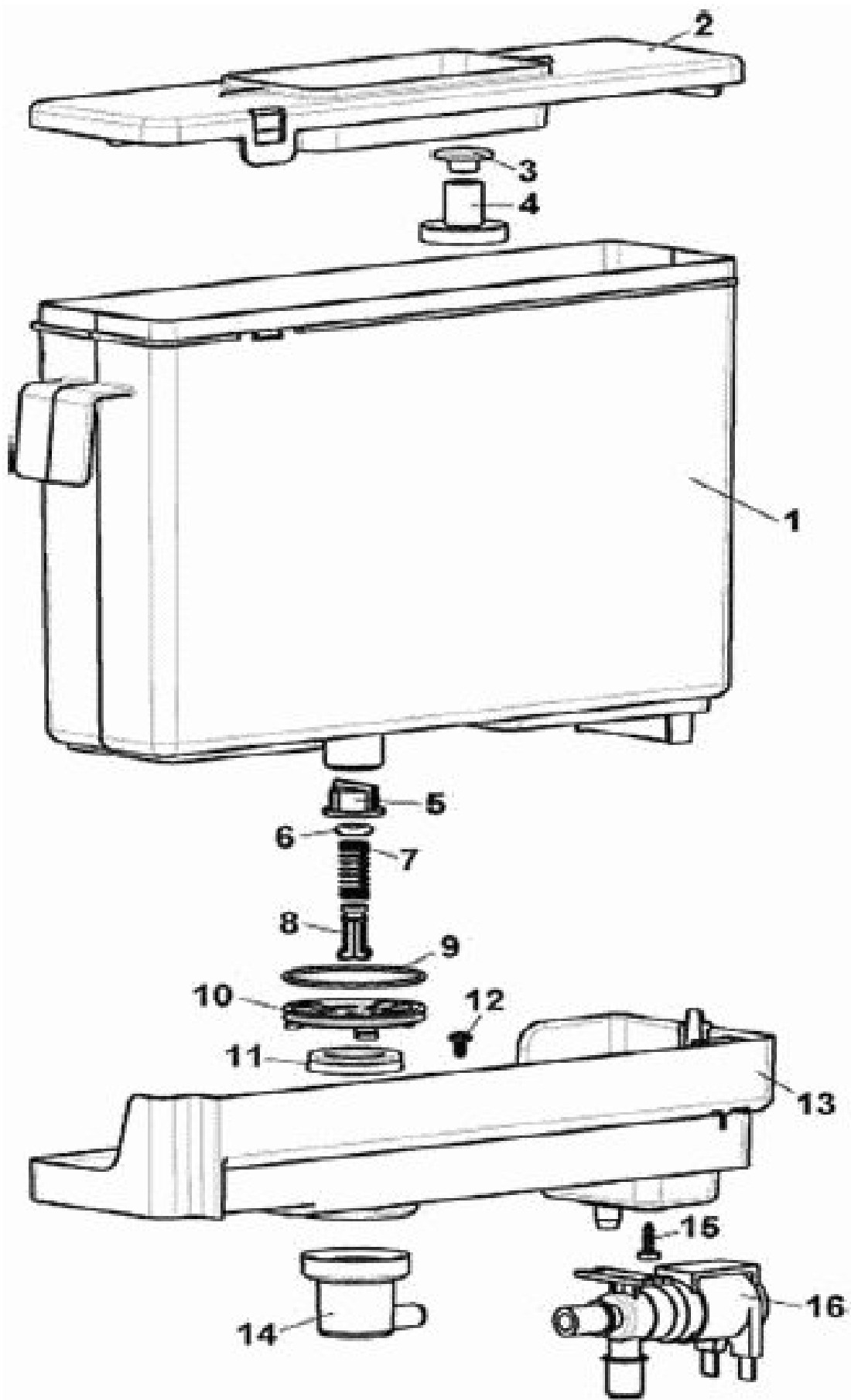
14. Products Container



14. Products Container

Pos.Nr.	Article description	Article Nr.
*	INGREDIENT CONTAINER 54 mm WOR	0230030005R
*	PRODUCT CONTAINER 54 mm WORM S	0230030006R
*	PROD. CONT. 110 mm WORM SCREW	0230030007R
*	PROD. CONT. 110 mm WORM SCREW	0230030009R
1	PLASTIC INGREDIENT CONTAINER 5	0230030005
2	MIXER GEAR ORANGE RAL 2011	0230030016
3	WORM SCREW PIN	0230030012
4	OR 123	GUA0000083
5a	WORM SCREW P. 9	0230030013
5b	WORM SCREW P.18	0230030014
6	ELASTIC PIN D.2 x 14	VIT0005301
7	REAR BUSH	0230030011
8	PLASTIC INGREDIENT CONTAINER 1	0230030008
9	MIXER GEAR mm.110 ORANGE RAL 2	0230030015
10	INGREDIENT MIXER 112 mm. R.H.	0230030041
10	INGREDIENT MIXER 112 mm. L.H.	0230030042
11	STAINLESS STEEL FLAT WASHER D.	VIT0003210
12	CONTAINER COVER 54 mm. From se	0230030156
13	CONTAINER COVER 110 mm. From s	0230030158
14	RIGHT CONVEYOR INGREDIENT	0230030017R
14a	RIGHT CONVEYOR INGREDIENT	0230030044R
15	LEFT CONVEYOR INGREDIENT	0230030018R
15a	LEFT CONVEYOR INGREDIENT	0230030043R
19	SUGAR I-F-D- LABEL	1010150001
19	SHOKO I-F-D- LABEL	1010150006
19	SOUP I-F-D- LABEL	1010150005
19	TEA I-F-D- LABEL	1010150004
19	MILK I-F-D- LABEL	1010150003
19	COFFEE I-F-D- LABEL	1010150002
20	CONVEYOR INGREDIENT	0230030019R

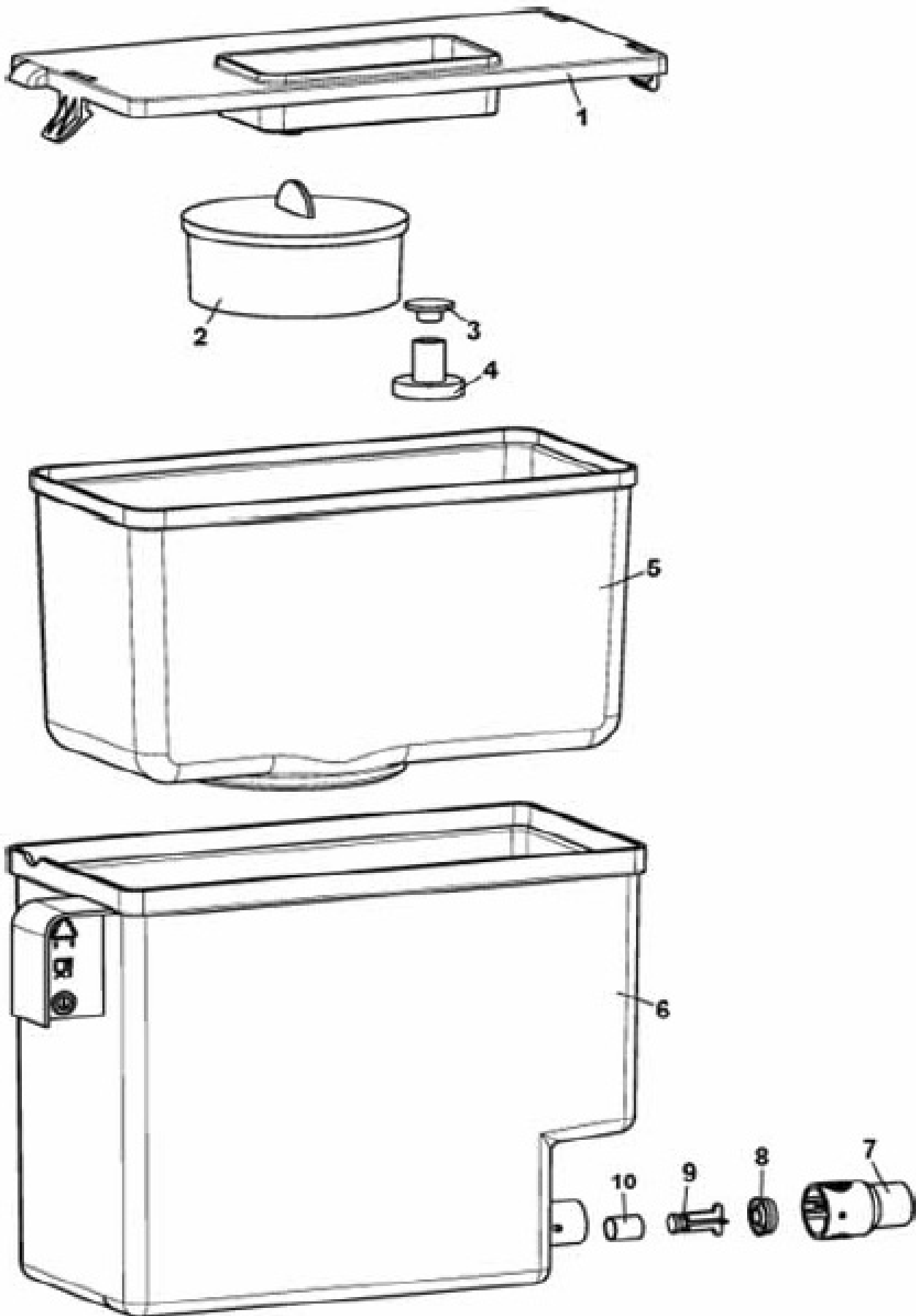
15. Watertank Speedmix



15. Watertank Speedmix

Pos.Nr.	Article description	Article Nr.
*	WATER TANK ASSEMBLED POS.1+2 F	0800012500CL
*	WATER TANK ASSEMBLED SUPPORT P	0800012511CL
*	FLOATER ASSEMBLY	0020037044
1	WATER TANK	0800012506
2	COVER WATER TANK	0800012507
3	Zoll RAL3020 XX	0020037045
4	Zoll RAL3020 XX	0020037046
5	FILTER	0110020011
6	SILICONE GASKET D.6 CORD 3	GUA0000082
7	CLOSING PIN SPRING	0800012012
8	WATER TANK CLOSING PIN	0800012009
9	2137 OR	GUA0000046
10	STO GASKET RING	0800012515
11	GASKET GU84-118075 SILIC.	GUA0002100
12	STAINLESS STEEL SCREW TBC 3.5	VIT0002015
13	SUPPORT WATER TANK	0800012511
14	WATER TANK ELBOW	0800012512
15	SCREW TC 3.5 x 10 FOR PLASTIC	VIT0002469
16	EV NC.2VIE S/R 24DC D.7	0110001103

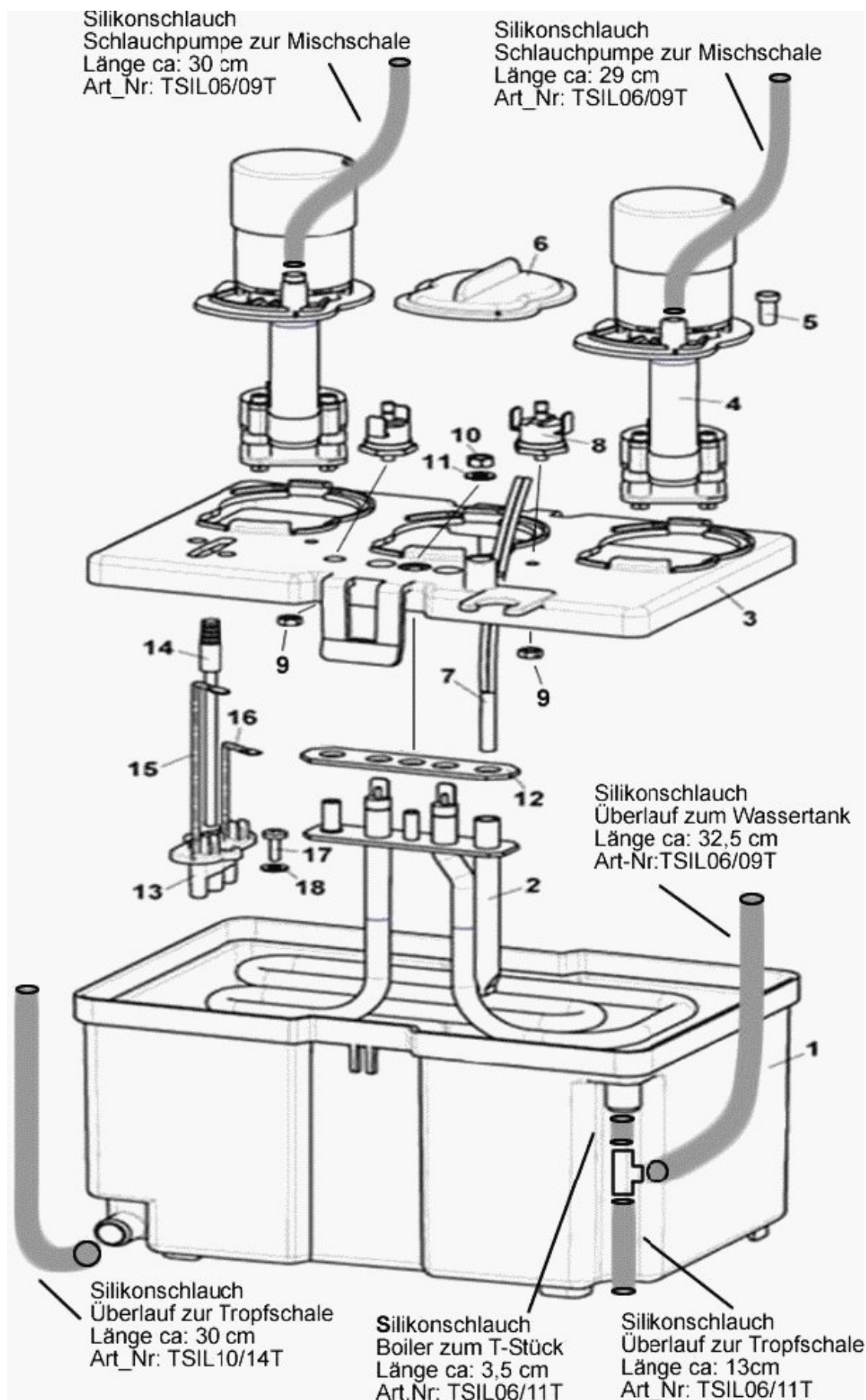
16. Watertank Pressobean



16. Watertank Pressobean

Pos.Nr.	Article description	Article Nr.
*	FLOATER ASSEMBLY	0020037044
1	COVER WATER TANK DUST GREY RAL	0800012025
2	Cino XS Filter cartridge (Tank in Tank)	799038
3	Zoll RAL3020 XX	0020037045
4	Zoll RAL3020 XX	0020037046
5	Cino XS Filtertank without car	799039
6	WATER TANK	0800012005PF
7	TANK CLOSING GASKET SUPPORT	0800012008
8	SILICONE GASKET DE 062	GUA0002008
9	WATER TANK CLOSING PIN	0800012009
10	CLOSING PIN SPRING	0800012012

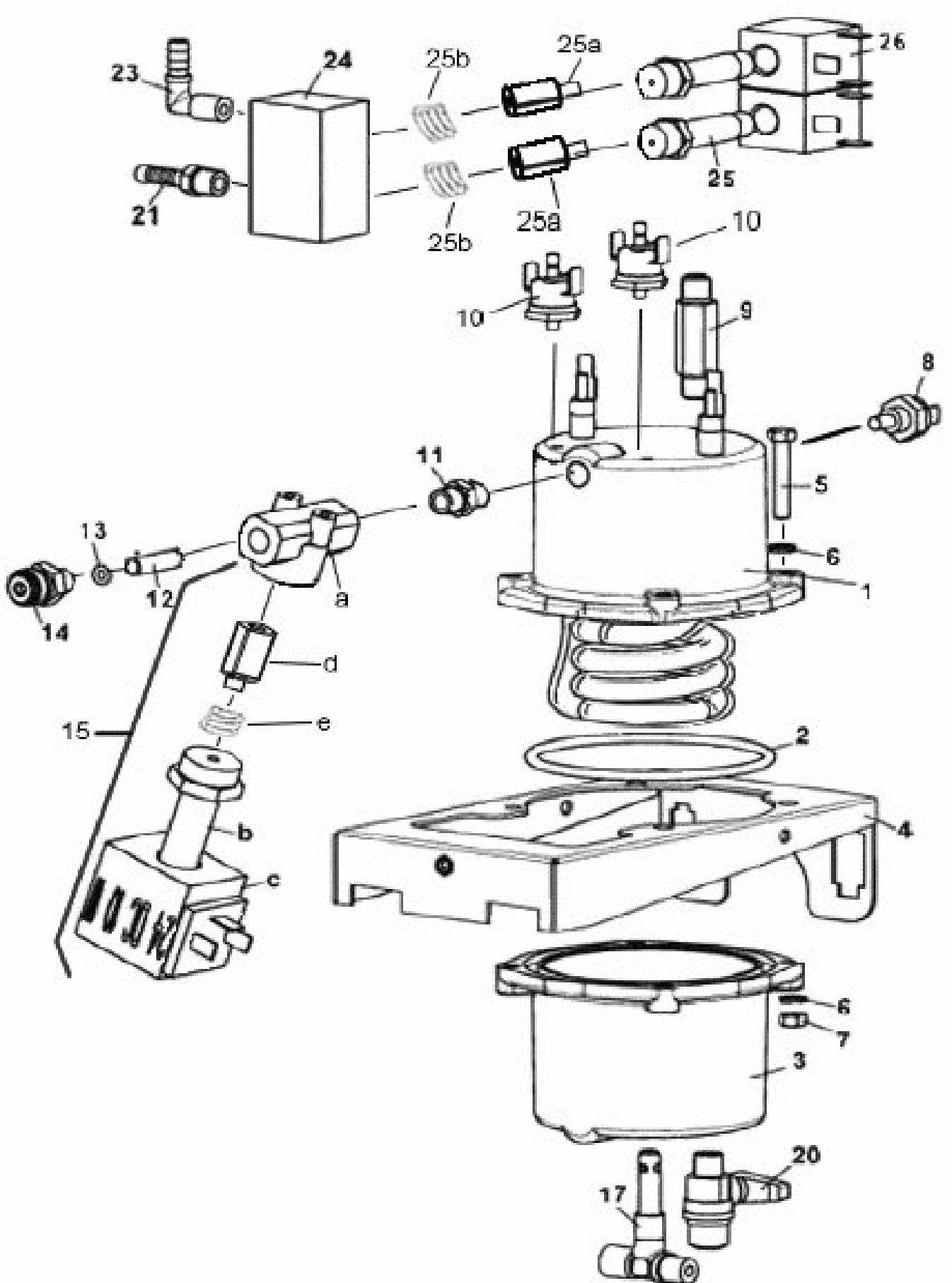
17. Boiler Speedmix



17. Boiler Speedmix

Pos.Nr.	Article description	Article Nr.
*	BOILER ASSEMBLY 230V XX	0600016400CL
1	BOILER TANK	0600016401
2	1300W 230V C/GUA HEATING Eleme	0600016415R
3	BOILER COVER	0600016402
4	BOILER PUMP	0600016405R
5	REDUCTION	0600016418
6	PUMP COVER	0600016445
7	121° FUSE ASSEMBLED	ELE0003026CL
8	MANUAL RESET THERMOSTAT 88°C	ELE0000962
9	STAINLESS STEEL NUT M4	VIT0004816
10	STAINLESS STEEL NUT M5	VIT0004804
11	STAINLESS STEEL FLAT WASHER D.	VIT0003203
12	HEATING ELEMENT GASKET	0600016038
13	PROBE SUPPORT	0600016059
14	PRIMA SOLUBLE PROBE	ELE0000963R
15	MIN. WATER LEVEL PROBE	0600016053
16	MAX WATER LEVEL PROBE	0600016054
17	SCREW T.C.B. M 4 x 12	VIT0001005
18	STAINLESS STEEL FLAT WASHER D.	VIT0003211
19	TRANSPARENT SILICONE PIPE D.6	TSIL06/09T
20	TRANSPARENT SILICONE PIPE D.10	TSIL10/14T
21	TRANSPARENT SILICONE PIPE	TSIL06/11T

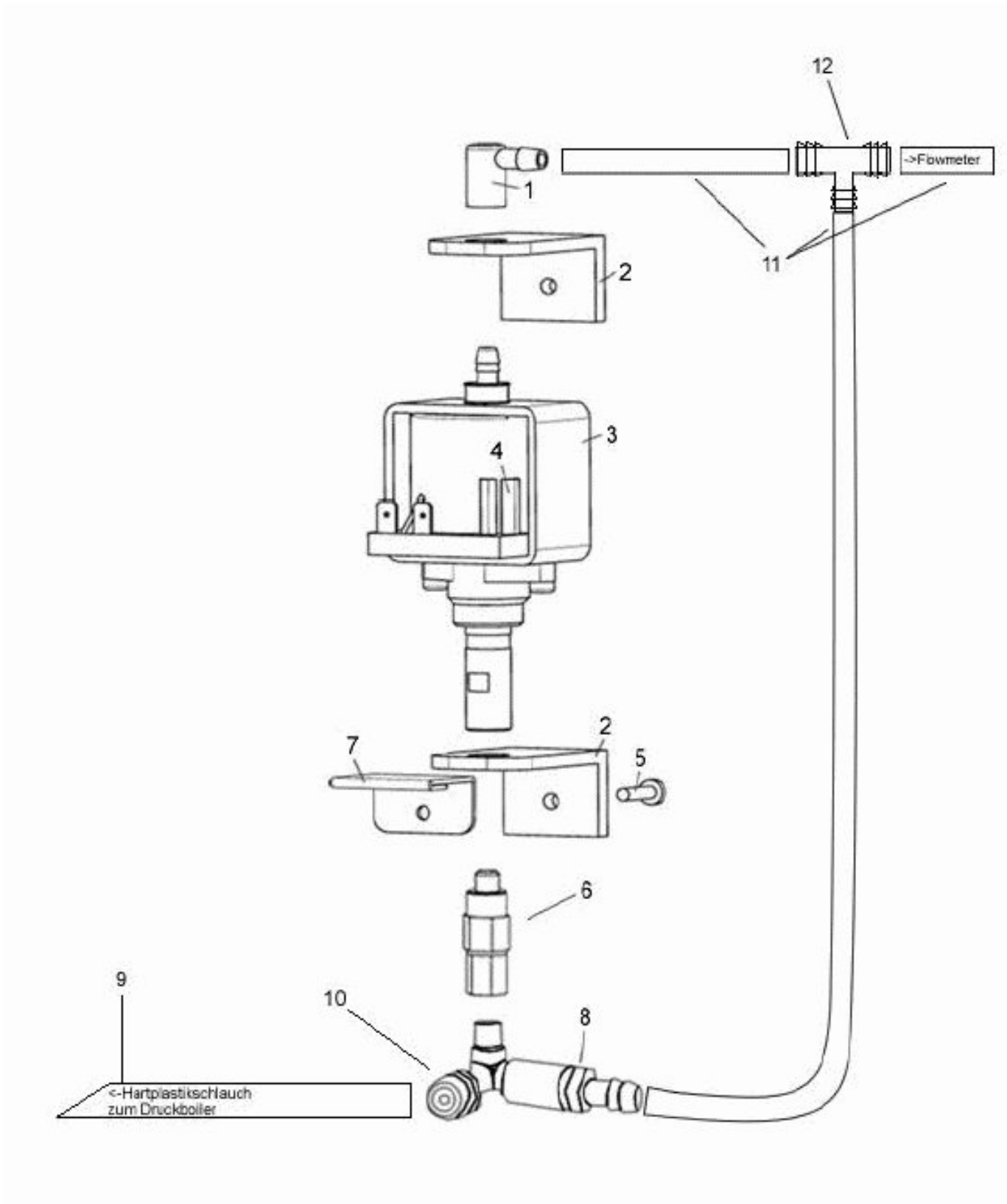
18. Boiler Pressobean



18. Boiler Pressobean

Pos.Nr.	Article description	Article Nr.
*	COMPLETE BOILER	0010027216CL
1	UPPER BOILER CASING	0600019102
2	OR 4300 SILICONE	GUA0000095
3	LOWER BOILER CASING	0600019103
4	BOILER SUPPORT	0010027221
5	SCHRAUBE M 5 X 30	VIT0000242
6	WASHER tab D. 5.1	VIT0003104
7	M 4 NUT	VIT0004504
8	ESPRESSO PROBE	ELE0000975
9	VALVE BOILER CONNECTION	0600012658
10	MANUAL RESET THERMOSTAT 120°C	ELE0000976
11	NIPPLO GC 1/8	0100001084
12	OR SPACER	0110003122
13	2015 OR	GUA0000069
14	WATER OUTLET UNION	0110003121
15	EV 3 WAY F-F 1/8 24V DC	0110001112
15a	BODY FOR EV	0110010143
15b	VALVE SLEEVE	0110010142
15c		0110010141
15d	PLUNGER KAFFEE XX PB	0110010144
15e	SPRING COFFEE VALVE XX PB	0110010146
17	TEE UNION WITH INOX TUBE	0600019112
20	COCK M/F 1/8	0600019017
21	RUBBER HOLDER DIR. D.7 1/8	0100001082
23	D.7 1/8 RUBBER HOLDE	0100001083
24	24V DC 7W 2-WAY VALVE	0110001111
25	VALVE SLEEVE	0110010138
25a	PLUNGER INSTANT XX PB	0110010136
25 b	SPRING INSTANT VALVE XX PB	0110010139
26	COIL FOR EV 0110001111	0110010135

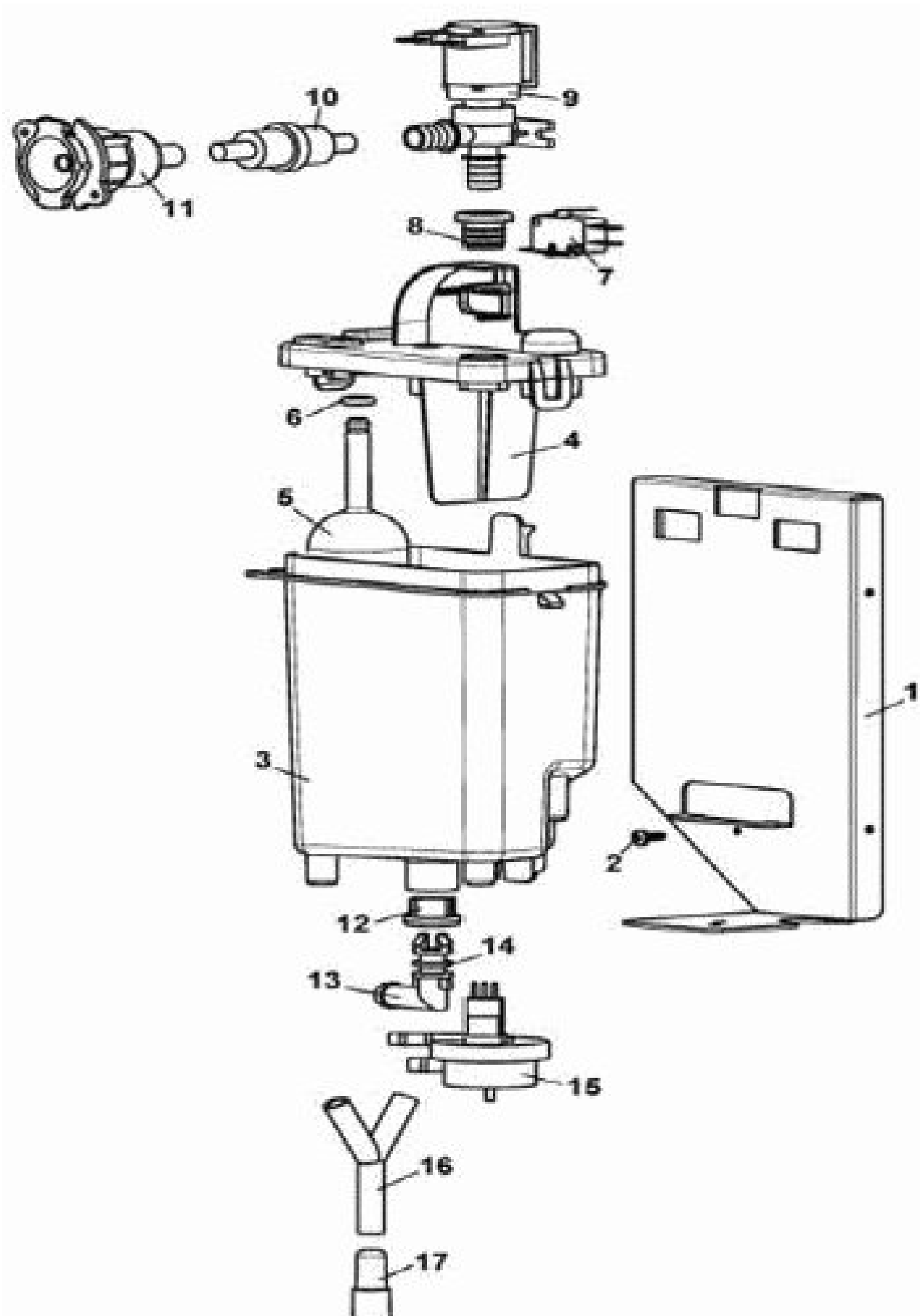
19. Pump with Bypass



19. Pump with Bypass

Pos.Nr.	Article description	Article Nr.
1	PIPETTE	0110004023
2	BRACKET SUPPORT	0110004022
3	EX5 230V 50 HZ PUMP	0110004041
4	THERMIC PROTECTION	ELE0000915
5	M 4x16 TCB SCREW	VIT0000014
6	1/8M INLET - 1/8F OUTLET NON-R	0110002012
7	PUMP SUPPORT CAM	0010027223
8	BY PASS VALVE 80 FOR COFFEE BE	0110004060
9	PTFE - PIPE 4x6 mm	TTEF04/06T
10	NUT FOR PIPE FITTING D.6	0100001002
11	TRANSPARENT SILICONE PIPE D.5	TSIL05/08T
12	TEE UNION	0100003015

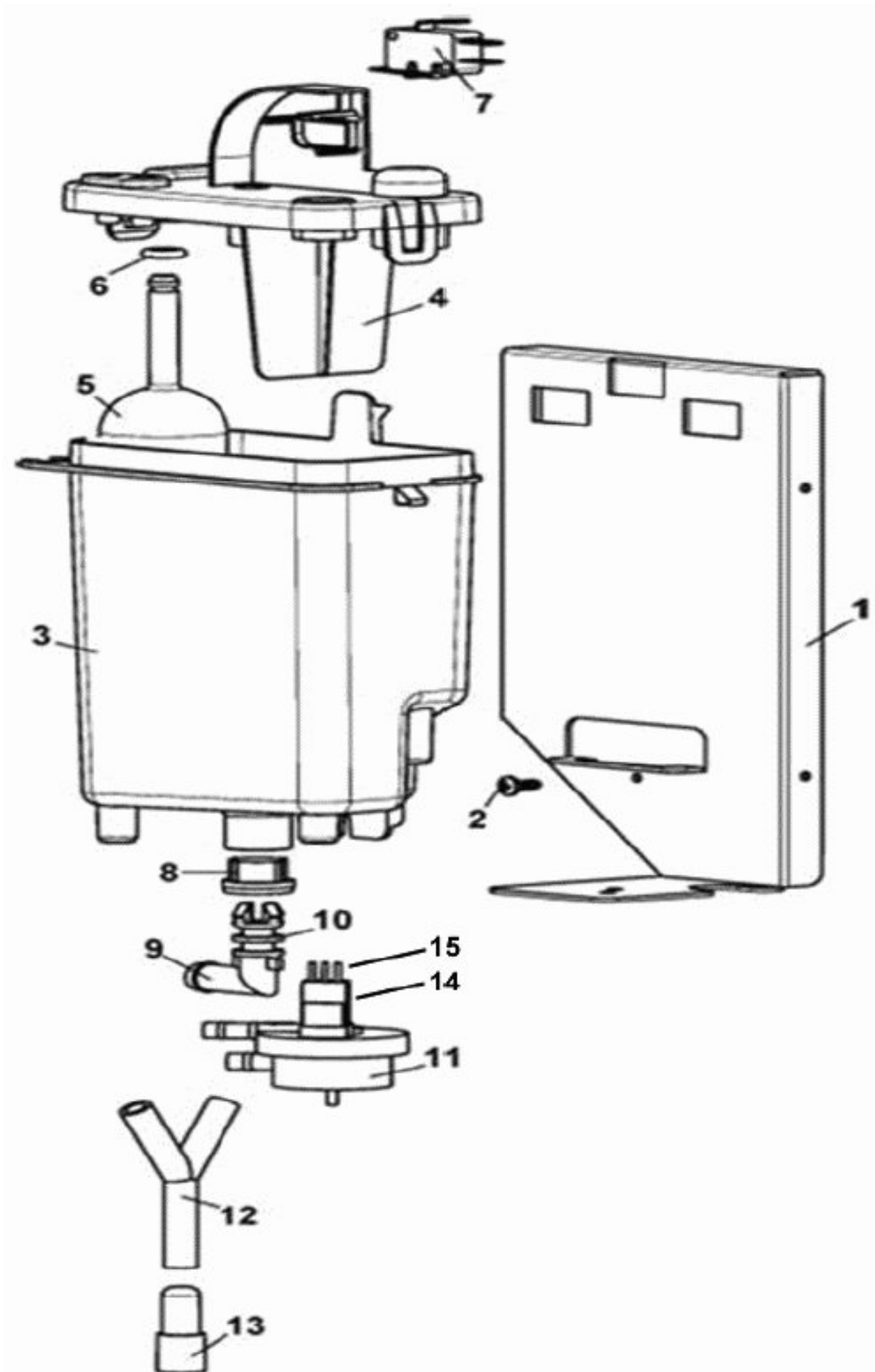
20. Water Inlet Group (Tank Version)



20. Water Inlet Group (Tank Version)

Pos.Nr.	Article description	Article Nr.
*	TANK A.A.	0010027243CL
1		0010027244
2		VIT0002010
3	TANK	0800013041
4	TANK COVER	0800013043
5	FLOATER TANK	0800013046
6	SILICONE GASKET D.6 CORD 3	GUA0000082
7	3 A 250 V MICROSWITCH	ELE0001514
8	VALVE GASKET	0800013051
9	EV NC.2VIE S/R 24DC D.7	0110001103
10	WATER FILTER	0109002002
11	FIXED TANK CONNECTION	0800012015
12	D.20 PLASTIC FILTER	0110020007
13	ELBOW WITH RAPID CONNECTION	0800009211
14	OR 109	GUA0000043
15	crimp contact 3.96 mm for Flow	612123
15	VOLUME COUNTER W/RUBBERHOLDER	0110007003
15	Empty female bush for Flowmete	612081
16	Y FITTING	0100001065
17	BOILER DISCHARGE PLUG	650001057

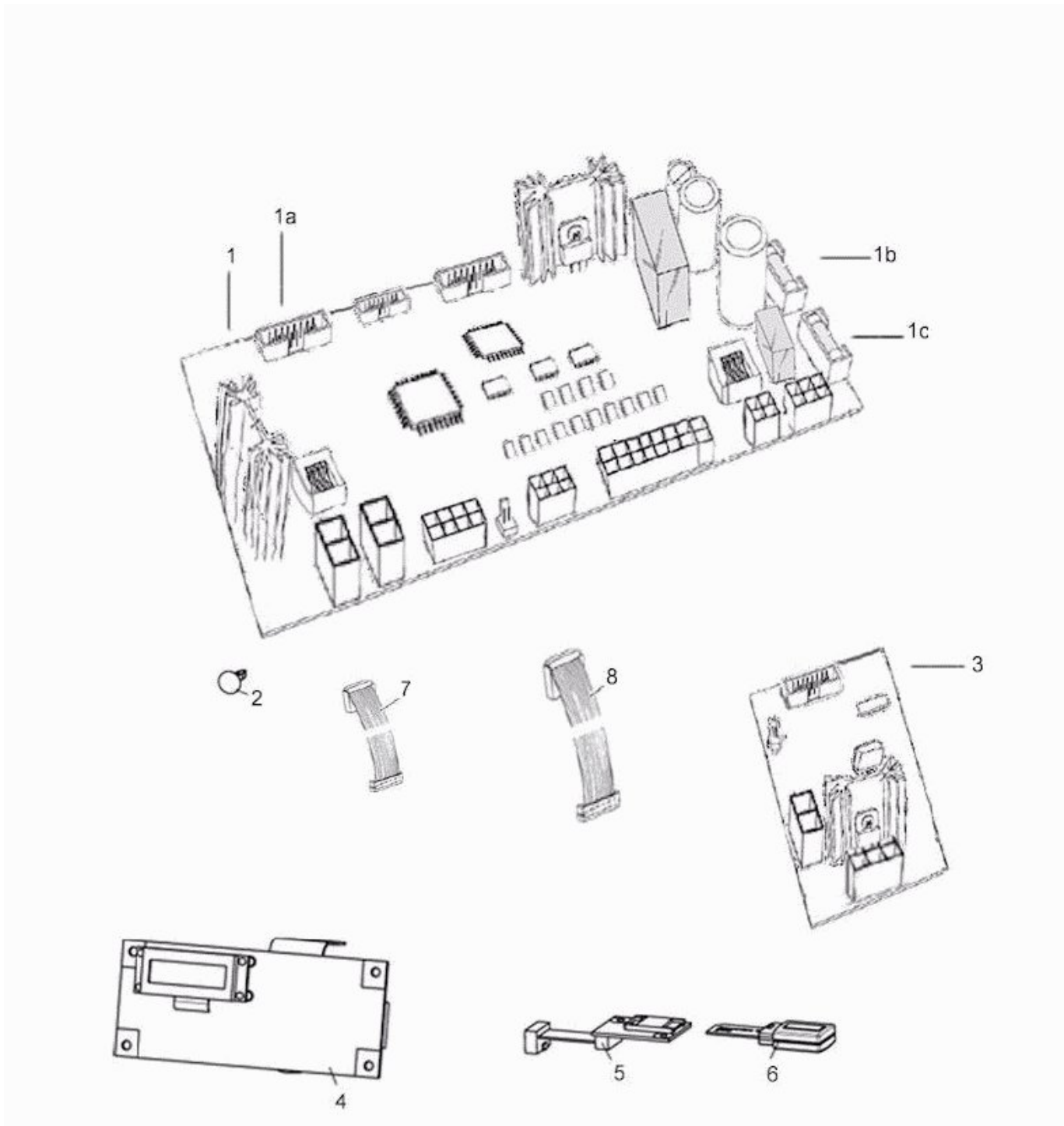
21. Water Inlet Group (for direct Water Inlet Version)



21. Water Inlet Group (for direct Water Inlet Version)

Pos.Nr.	Article description	Article Nr.
*	TANK A.A.	0010027243CL
1		0010027244
2		VIT0002010
3	TANK	0800013041
4	TANK COVER	0800013043
5	FLOATER TANK	0800013046
6	SILICONE GASKET D.6 CORD 3	GUA0000082
7	3 A 250 V MICROSWITCH	ELE0001514
8	D.20 PLASTIC FILTER	0110020007
9	ELBOW WITH RAPID CONNECTION	0800009211
10	OR 109	GUA0000043
11	VOLUME COUNTER W/RUBBERHOLDER	0110007003
12	Y FITTING	0100001065
13	BOILER DISCHARGE PLUG	650001057
14	Empty female bush for Flowmete	612081
15	crimp contact 3.96 mm for Flow	612123

22. CPU



22. CPU

Pos.Nr.	Article description	Article Nr.
*	CABLE HARNESS 230V XX	CBLXX00004
*		CBLXX00054
*		CBLXX00053
*		CBLXX00049
*		CBLXX00018
*		CBLXS00032
*	EXTENSION CABLE TEMP.PROBE	CBLXS00009
*	CABLE HARNESS BOILER 230V XX	CBLXX00007
*	CABLE HARNESS BOILER 24V XX	CBLXX00006
*	CABLE HARNESS 24V XX	CBLXX00005
1	CPU POWER	SCH0006600
1	CPU POWER	SCH0005360
1b	2A RAPID GLASS FUSE 5x20	ELE0003025
1c	5A SLOW-BLOW GLASS FUSE 5x20	ELE0003028
2	BOARD SUPPORT	ELE0062013
3	CPU EXPANSION ONLY FOR ESPRESS	SCH0006620
4	DISPLAY BOARD	SCH0005840
5	FLASH BOARD	SCH0005860
6	RHEA FLASH MEMORY	ELT0030068
7	RIBBON CABLE FOR MDB ADD-ON BO	ELT0030498
8	RIBBON CABLE LONG CPU-DISPLAY	ELT0030660

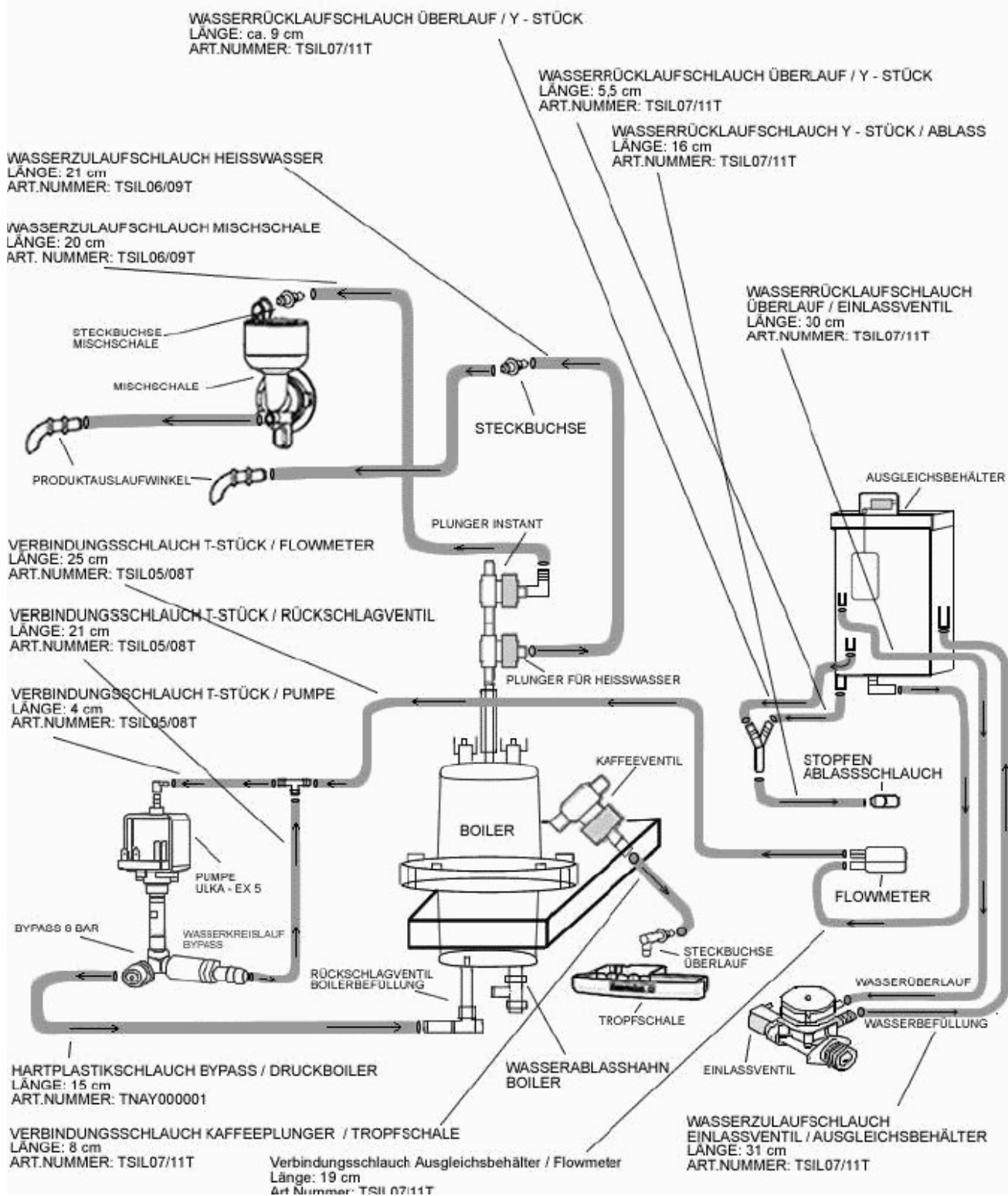
23. Water Flow Diagramm

WASSERKREISLAUF DER MASCHINE XX OC PRESSOBEAN

LEGENDE

→
WASSERFLUSSRICHTUNG

Achtung: Silikonschläuche gibt es nur in Meterware



23. Water Flow Diagramm

Your Service and Consulting Partner