



# ● cafe

XS Grande PB

Sparepart book

Release: 07.10.2009

Automatically generated at 20.10.2009

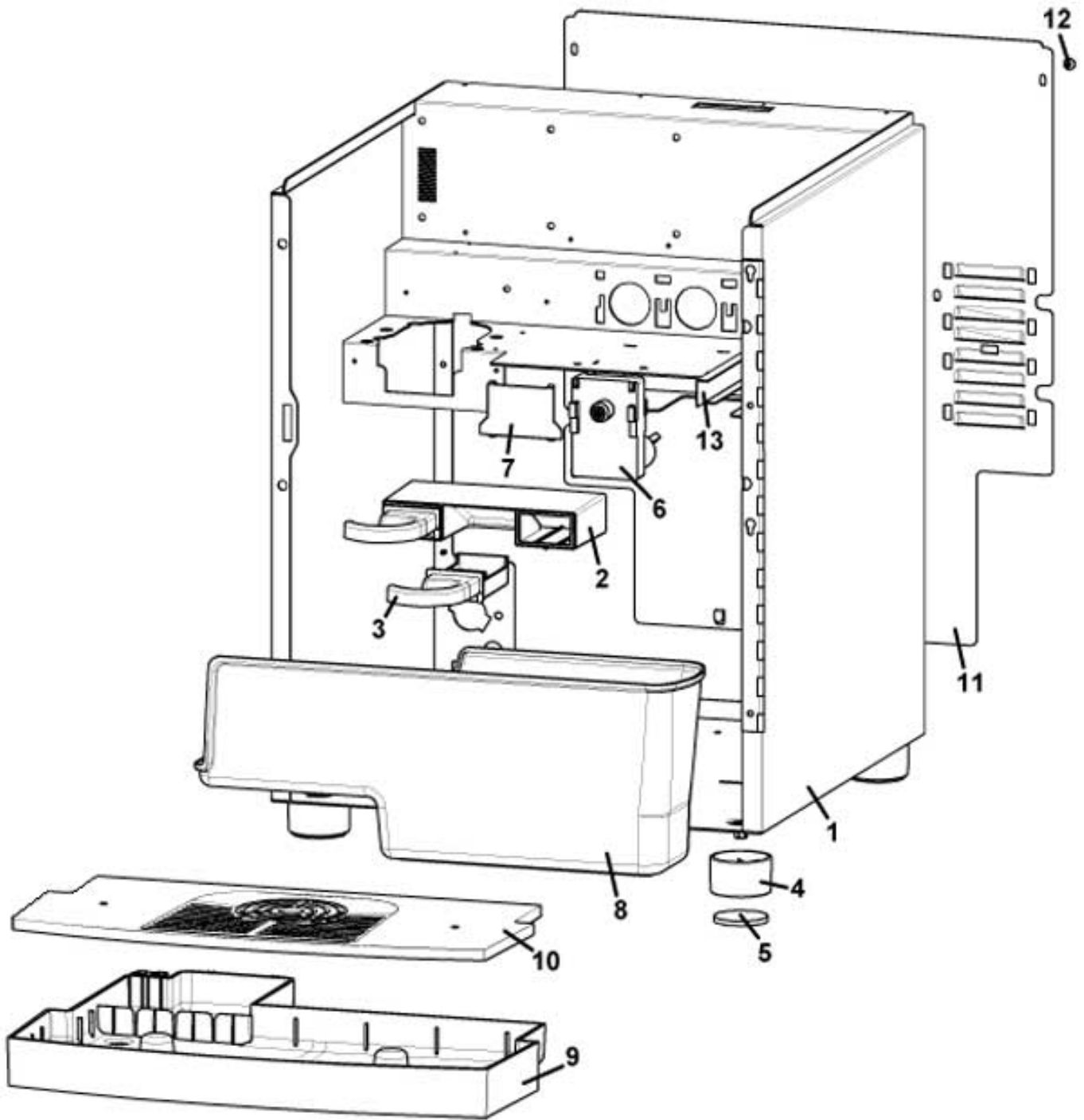




# Table of content

<b>1. Housing- exploded diagramm</b> .....	1
1. Housing- Article List.....	2
<b>2. upper cover- exploded diagramm</b> .....	3
2. upper cover- Article List .....	4
<b>3. Cabinet rear view- exploded diagramm</b> .....	5
3. Cabinet rear view- Article List .....	6
<b>4. Cover switching supply- exploded diagramm</b> .....	7
4. Cover switching supply- Article List .....	8
<b>5. door- exploded diagramm</b> .....	9
5. door- Article List .....	10
<b>6. cups stop- exploded diagramm</b> .....	11
6. cups stop- Article List.....	12
<b>7. lightened door cover- exploded diagramm</b> .....	13
7. lightened door cover- Article List.....	14
<b>8. Mixer plan- exploded diagramm</b> .....	15
8. Mixer plan- Article List.....	16
<b>9. brewer motor- exploded diagramm</b> .....	17
9. brewer motor- Article List .....	18
<b>10. pressure boiler overview- exploded diagramm</b> .....	19
10. pressure boiler overview- Article List .....	20
<b>11. pressure boiler detail- exploded diagramm</b> .....	21
11. pressure boiler detail- Article List.....	22
<b>12. Mixer bowls- exploded diagramm</b> .....	23
12. Mixer bowls- Article List .....	24
<b>13. water inlet panel- exploded diagramm</b> .....	25
13. water inlet panel- Article List .....	26
<b>14. Grinder- exploded diagramm</b> .....	27
14. Grinder- Article List .....	28
<b>15. brewer- exploded diagramm</b> .....	29
15. brewer- Article List .....	30
<b>16. product container- exploded diagramm</b> .....	33
16. product container- Article List .....	34
<b>17. coffee beans container- exploded diagramm</b> .....	35
17. coffee beans container- Article List.....	36
<b>18. coin acceptor kit- exploded diagramm</b> .....	37
18. coin acceptor kit- Article List .....	38
<b>19. Base cabinet- exploded diagramm</b> .....	39
19. Base cabinet- Article List .....	40
<b>Orderfax-Form</b> .....	41

# 1. Housing

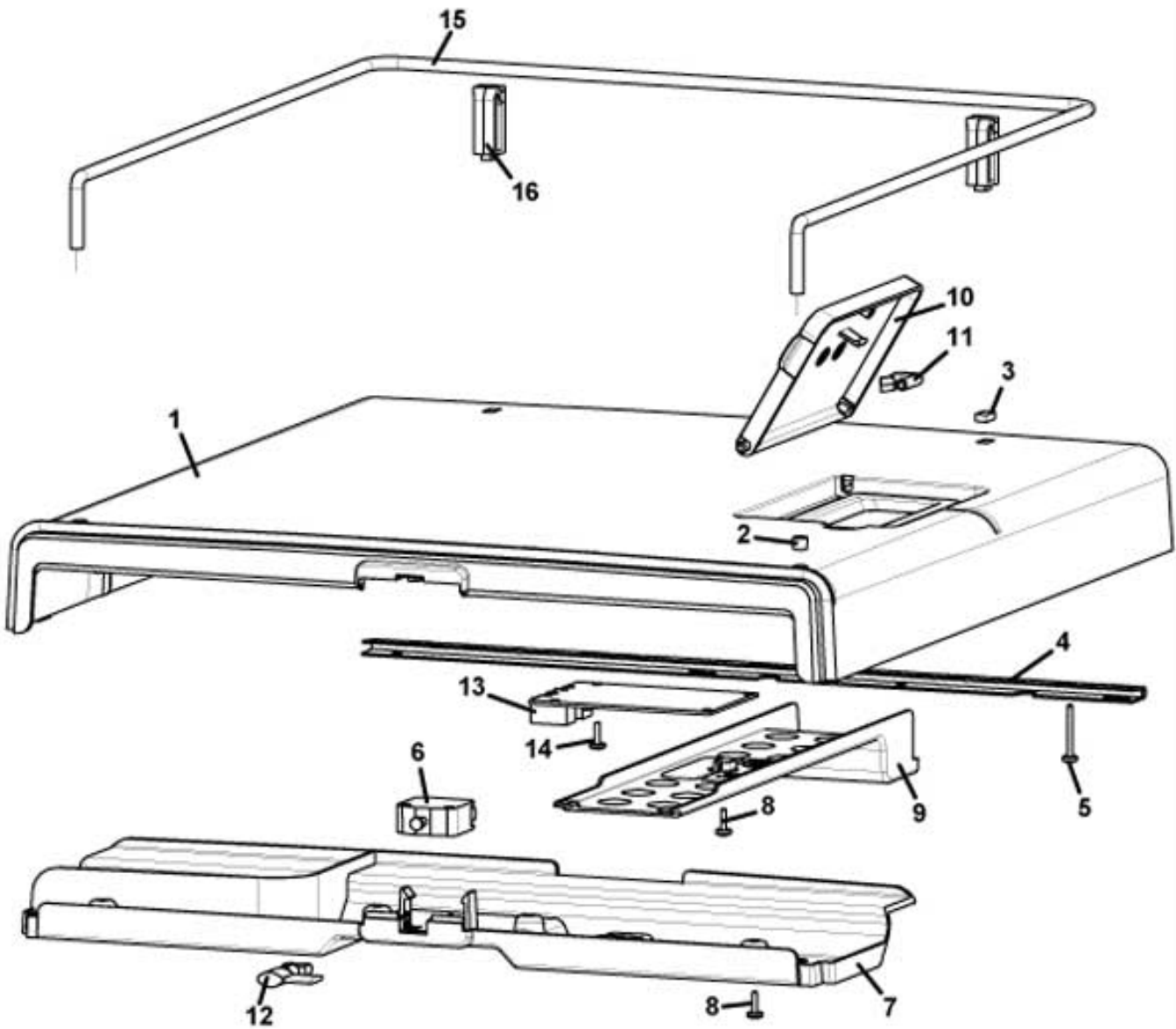


# 1. Housing

---

Pos.Nr.	Article description	Article Nr.
1		0010024135
1		0010024135NA
2		0010027037
3	EXTERNAL EXHAUST DRAWER	0010027022
4		0010024111
4		0010024111XC
4		0010024111NA
5		0010024112
6	MR NCJM2480-X 24VDC	0090002113
7	GEAR MOTOR MASK	0010020029NA
7		0010020029
8		0010024027
9	Tropfschale XS GRANDE	0020039036CL
10		0020039035
10	Deckel Tropfschale XS GRANDE	0020039035CM
10		0020039035CG
11		0010024028NA
11		0010024028DE
11		0010024028
12	TAPPING SCREW TCB 3.5 x 9.5	VIT0002401
13		0010027217

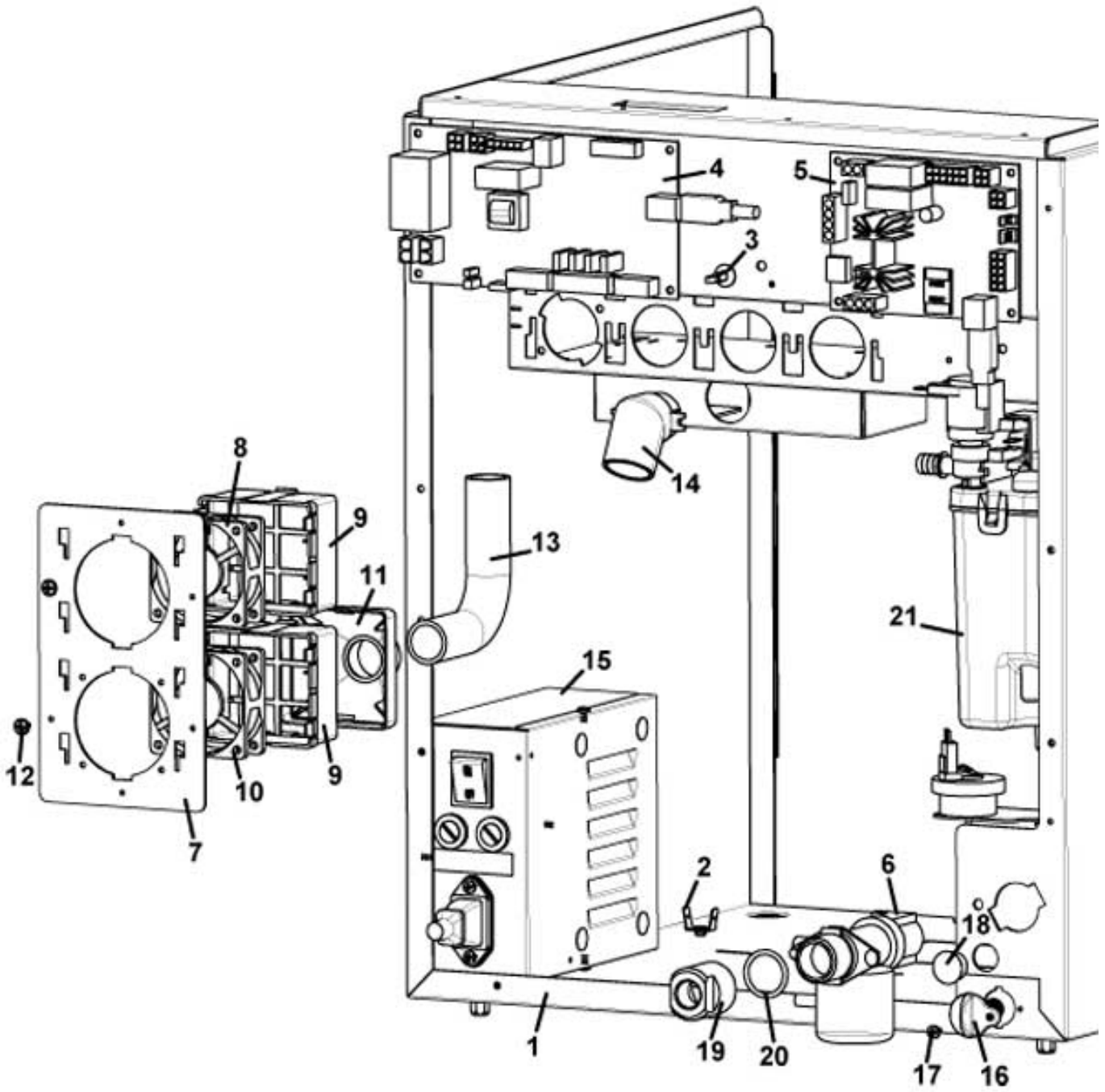
## 2. upper cover



**2. upper cover**

<b>Pos.Nr.</b>	<b>Article description</b>	<b>Article Nr.</b>
1		0010024116
1		0010024116DE
1		0010024116NA
2	RING PLUG	0010027344
3	RING SUPPORT PLUG	0010027343
4		0010024012
5	QUICK-THREAD TC SCREW 3.5 x 25	VIT0002456
6	SWITCH 16A-250V UL	ELE0002019
7a		0010024117NA
7a		0010024117
7a		0010024117IC
7b		0010024114
7b		0010024114NA
8	SCREW TC 3.5 x 10 FOR PLASTIC	VIT0002469
9		0010024119IC
9		0010024119
9		0010024119NA
10		0010024118
10		0010024118DE
10		0010024118NA
11	CUP SUPPORT PIN BLACK	0020037124
11		0020037124NA
12		0270011109
12	Türkkontaktschlüssel ORANGE	0270011109IC
13	RFID-BOARD	SCH0006260
14	TAPPING SCREW TCB 3.5 x 12	VIT0002452
15		0010024124
16		0010027272NA
16	RING SUPPORT TRASPARENT OPALIN	0010027272
16		0010027272AG
16		0010027272GH

### 3. Cabinet rear view



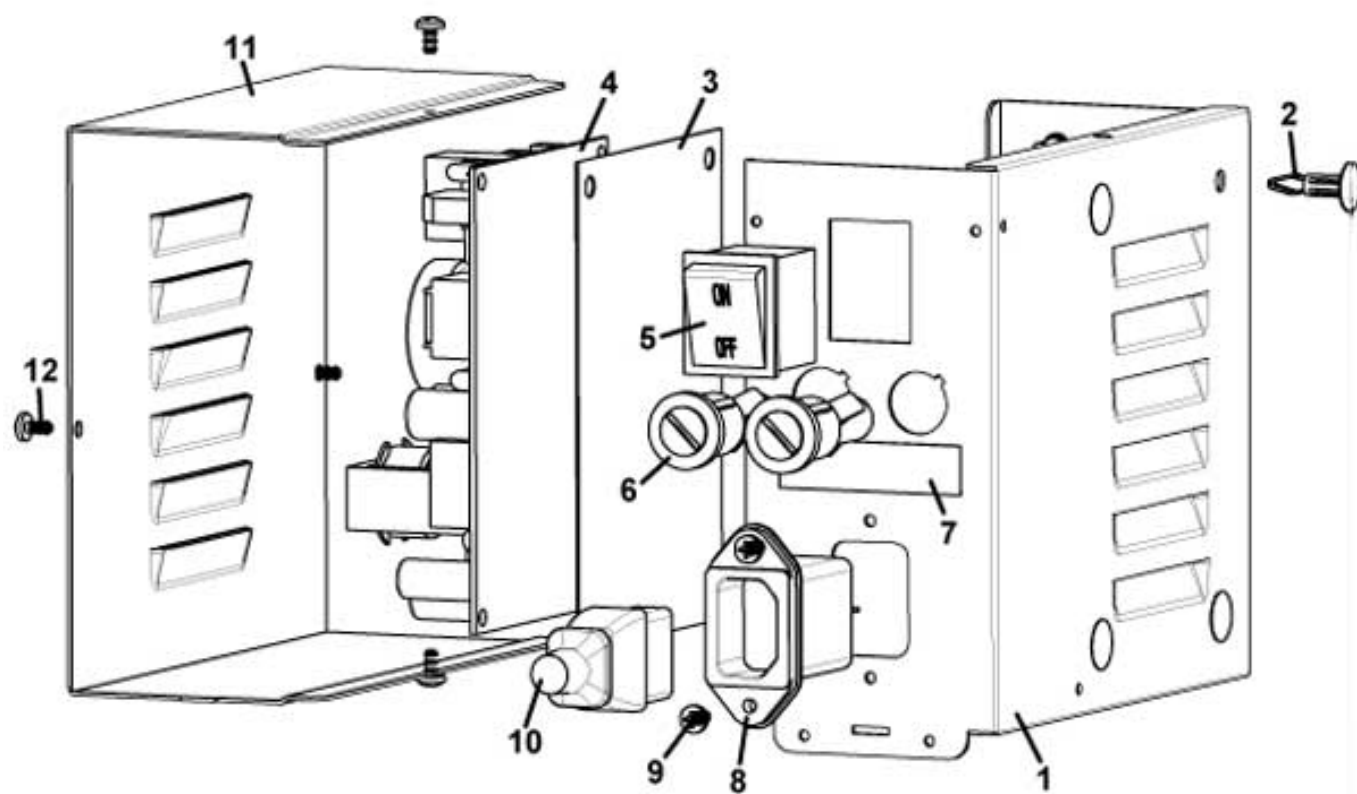


### 3. Cabinet rear view

---

Pos.Nr.	Article description	Article Nr.
1		0010024135
1		0010024135NA
2	Erdungsanschluss	ELE0060520
3	BOARD SUPPORT	ELE0062013
4	CPU XS GRANDE SM/PB	SCH0007960
5	CPU Brüher XS GRANDE	SCH0007600
6	EV.DIS.SICUR.800.150 MOD.24VDC	0110001058
7		0130013016
8	AXIAL FAN FL0625LD 24DC	ELE0000462
9	FAN TRAY	0010027064
10	AXIAL FAN AD0624HS 24DC	ELE0000461
11	CONNECTION CONDUIT	0010027065
12	TAPPING SCREW TCB 3.5 x 9.5	VIT0002401
13		TEOL000001CL3
14		0010027043
14		0010027043NA
15	Netzteil kpl XS GRANDE SM/PB	0130013010CL
16	H2O RAPID DISCHARGE PLUG	0600016455
17	TAPPING SCREW T.C.B. 3,5 x 6,5	VIT0002009
18	RELEASE PLUG	GUA0011010
19	3/8 GAS M WATER INLET VALVE CO	0810010558
20	OR 130 JUST FOR MAIN WATER SUP	GUA0000021

## 4. Cover switching supply

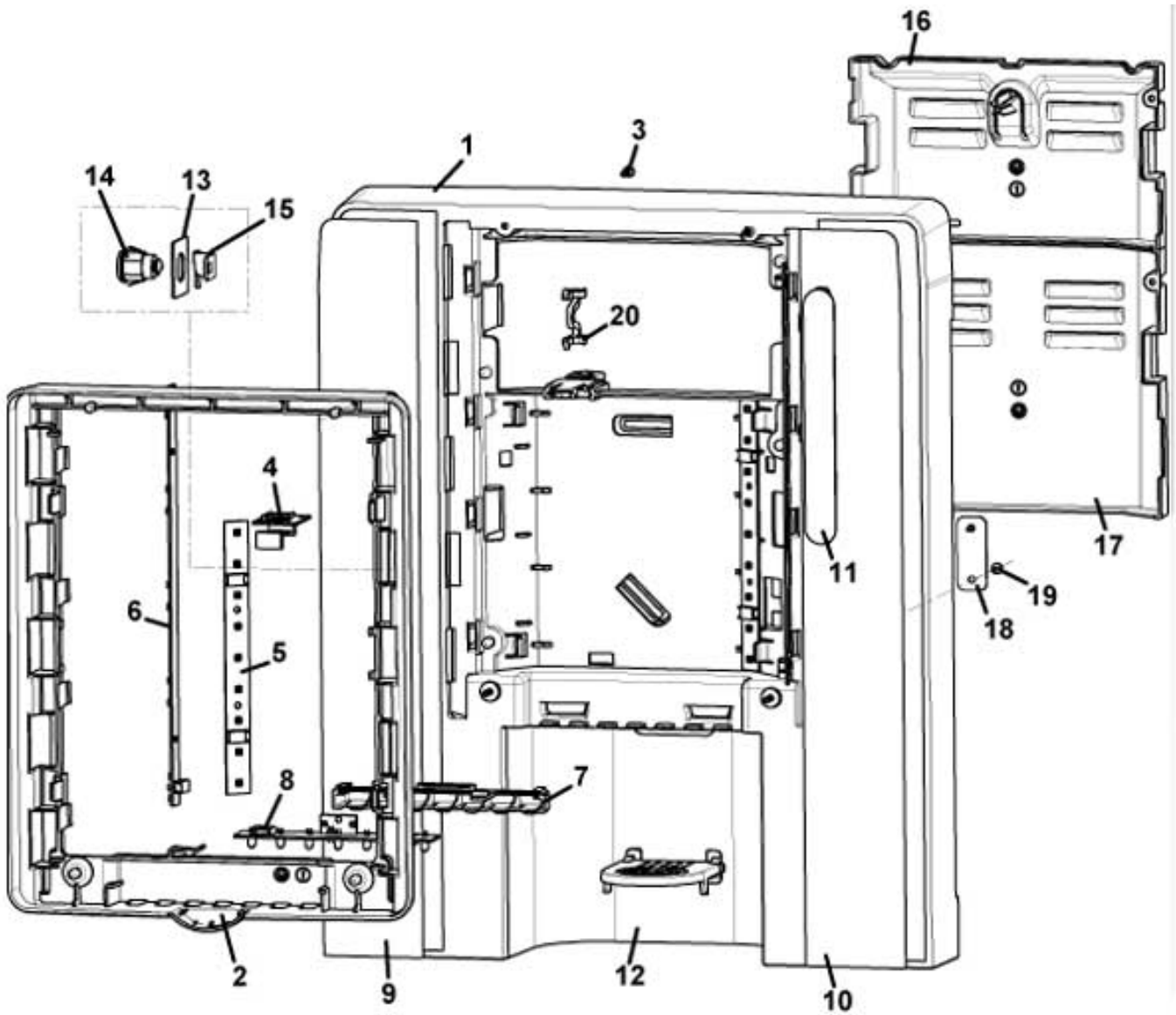


## 4. Cover switching supply

---

Pos.Nr.	Article description	Article Nr.
*	Netzteil kpl XS GRANDE SM/PB	0130013010CL
1		0130013012
2	BOARD SUPPORT	ELE0062013
3		0130013014
4	power supply board LX2 220V/24V/5V	SCH0007620
5	15A 250V ON/OFF UL/CSA BIPOLAR	ELE0002014
6		ELE0003507CL
7		1010100124
8	FILTER SOCKET 115/250V 10A	ELE0002315
9	TAPPING SCREW T.C.B. 3,5 x 6,5	VIT0002009
10	POWER LEAD 3 x 1 SOCKET AND SC	ELE0055008
11		0130013013
12	3.5 x 6.5 TCB SCREW	VIT0002002

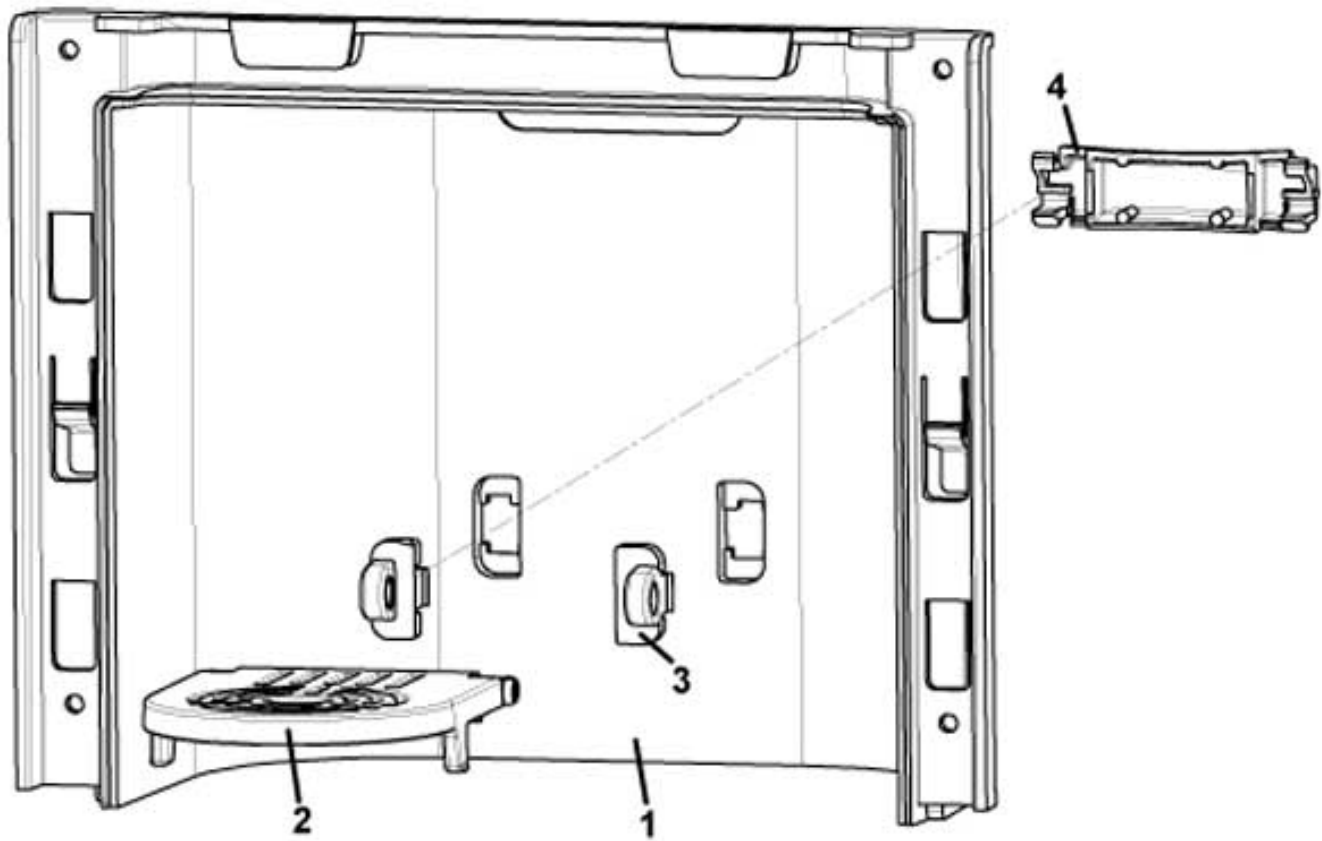
# 5. door



**5. door**

<b>Pos.Nr.</b>	<b>Article description</b>	<b>Article Nr.</b>
1	Türe XS GRANDE	0020039006
1		0020039006CG
1		0020039006CM
2		0020039007
2		0020039007CG
2		0020039007CM
3	screw 3.5 x 16	VIT0002466
4	FLASH BOARD	SCH0005860
5	LED PCB CENTRAL XS GRANDE	SCH0008160
6	LED PCB LATERAL XS GRANDE	SCH0008120
7		0020039078
7		0020039078TR
8	LED PCB Cup XS GRANDE	SCH0008141
9	Seitenaufkleber li. XSGRANDE	0020039043
10	Seitenaufkleber re. XSGRANDE	0020039048
11		0020039537
11		0020039537NA
13	MOUNTING PLATE, LOCK XX	0020037014
14	LOCK 154 BOX 5 DT mm 20 RAPID	SER0000020
15	closing hook BUSINESSSTAR	0020037015
16		0020039075IC
16		0020039075
17		0020039076
17	COVER DOOR XS GRANDE	0020039076NA
18		0020039551
18		0020039551NA
19	SCREW TC 3.5 x 10 FOR PLASTIC	VIT0002469
20		0020039080NA
20		0020039080

## 6. cups stop

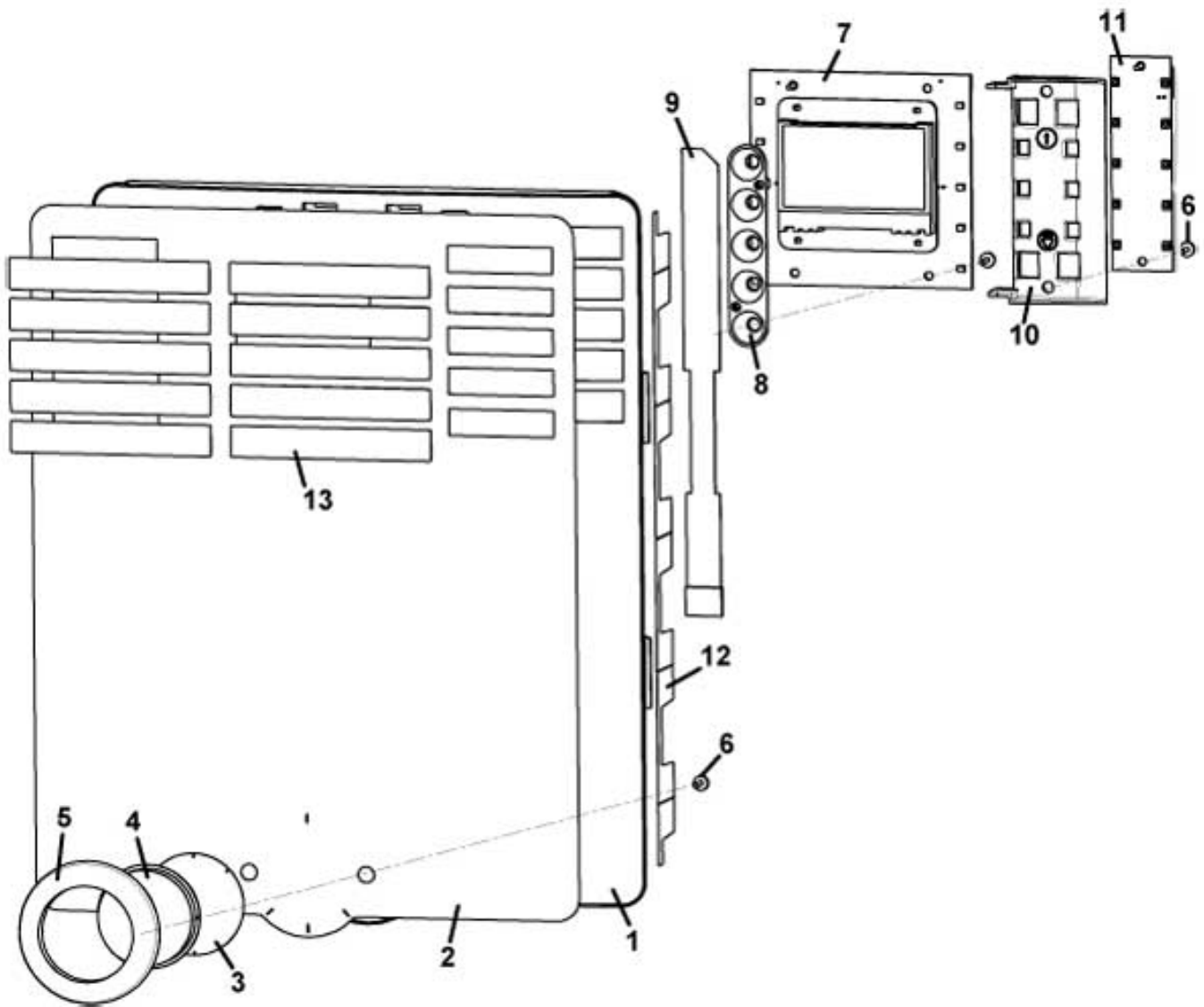


**6. cups stop**

---

<b>Pos.Nr.</b>	<b>Article description</b>	<b>Article Nr.</b>
1		0020039071
1		0020039071CG
1		0020039071CM
1		0020039071NA
2		0020039072TR
2		0020039072NA
2	Bechertisch XS GRANDE	0020039072
3		0020039073
3	Clip Bechertisch XS Grande	0020039073NA
4		0020039087
4	Arretierung Becherti. XSGrande	0020039087IC

# 7. lightened door cover



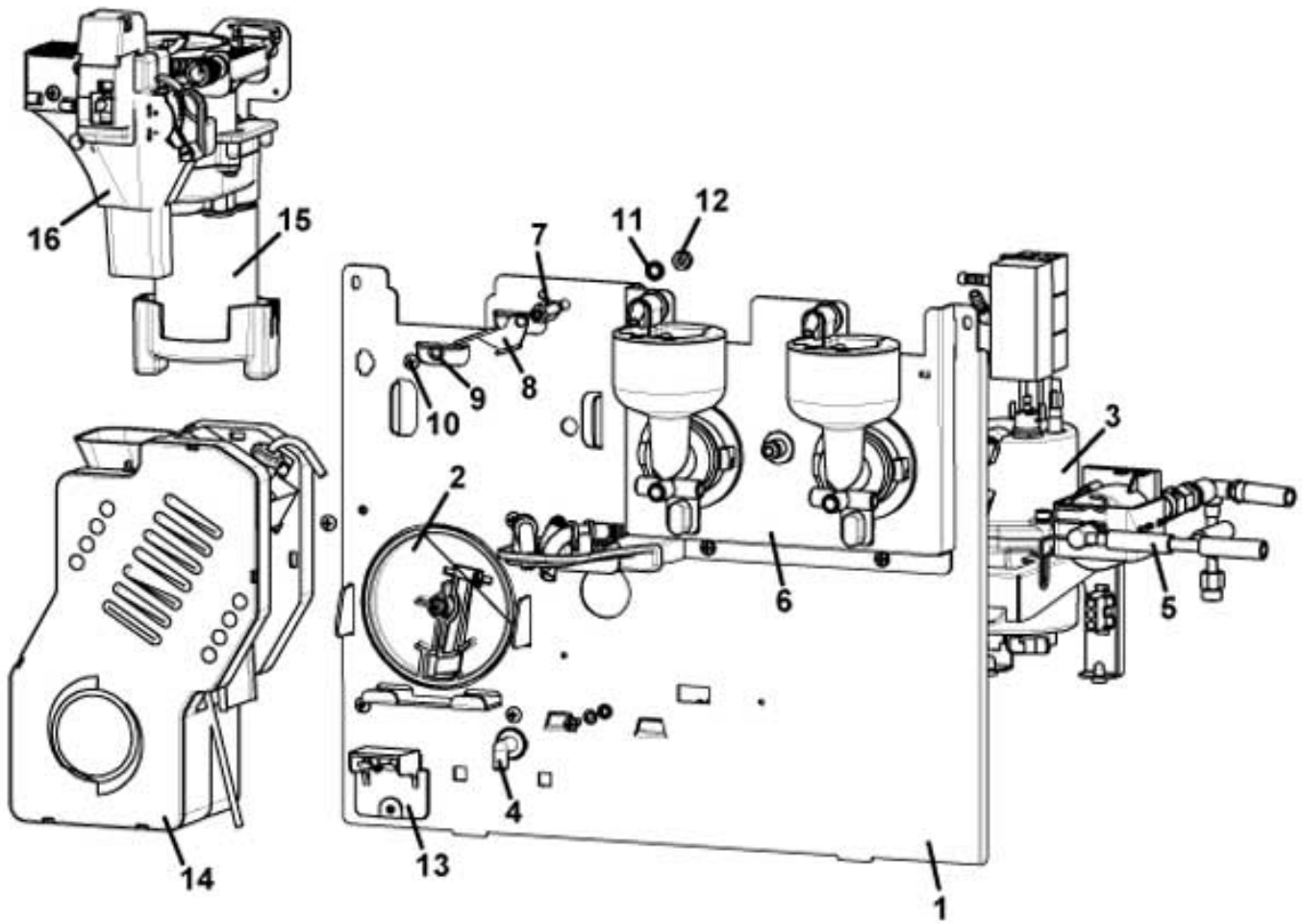


## 7. lightened door cover

---

Pos.Nr.	Article description	Article Nr.
1		0020039008
1		0020039008TR
3		0020039090
4		0020039085TR
4		0020039085
5		0020039084NA
5		0020039084XC
5		0020039084
6	SCREW TC 3.5 x 10 FOR PLASTIC	VIT0002469
7	DISPLAY CPL. XS GRANDE	SCH0008240CL
8		0020039079NA
8		0020039079
9	film keyboard	0020035640
10		0020039086
10		0020039086NA
11	LED PCB SELEC.KEYB. XS GRANDE	SCH0008220
12	FILTER LED BLUE XS GRANDE	0020039015PM
12	FILTER LED ORANGE XS GRANDE	0020039015ID
12		0020039015

# 8. Mixer plan

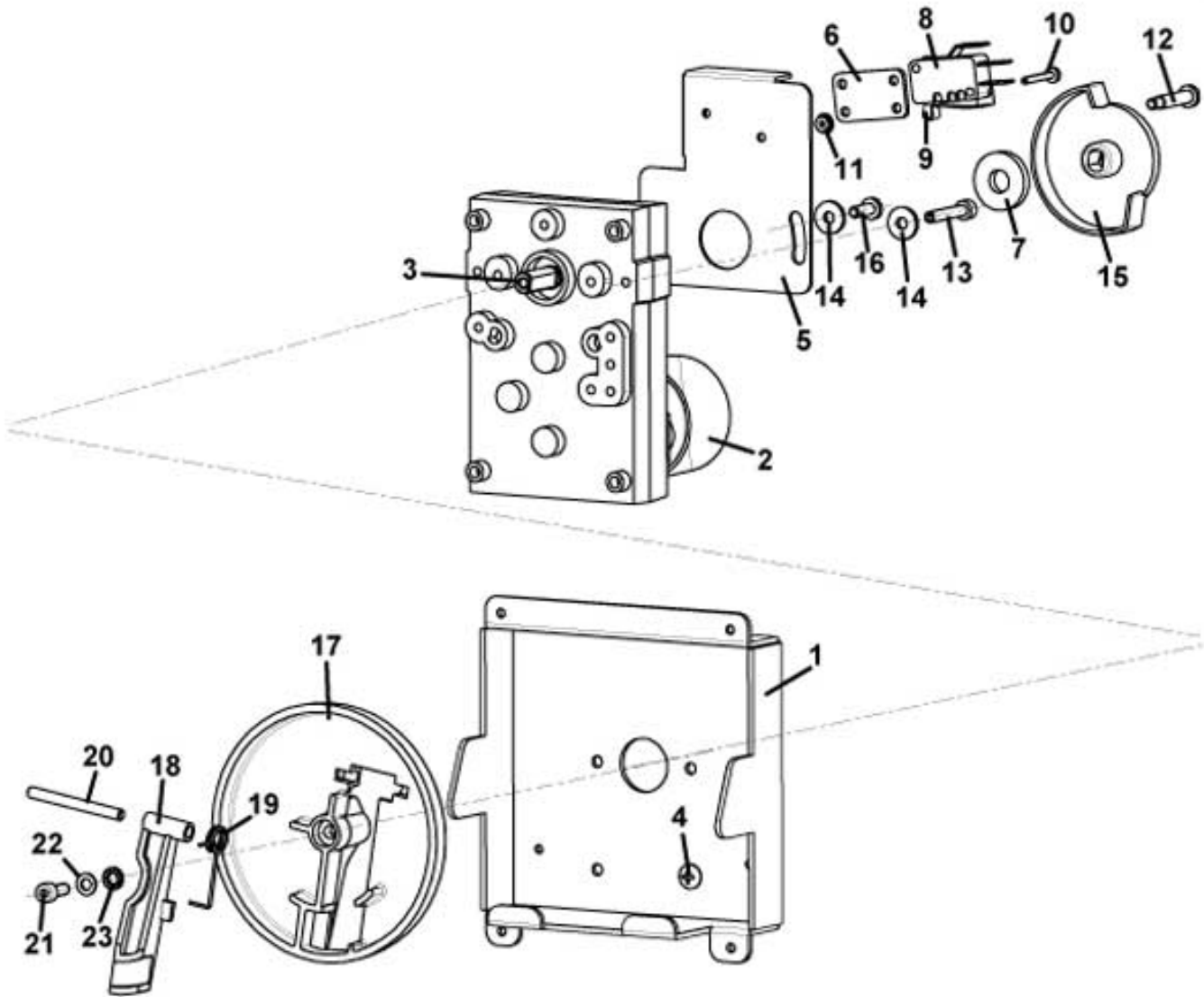


## 8. Mixer plan

---

Pos.Nr.	Article description	Article Nr.
1		0260012002
1		0260012002NA
4	90° CONNECTION	0080100084
7	spacer bolt	0010020196
8	GROUP CONNECTING PLATE	0010020132
9	104 OR	GUA0000004
10	SCREW TCB M4 x 7	VIT0000030
11	WASHER tab D. 6.4	VIT0003105
12	NUT M6	VIT0004505
13	waterlevel control for drip tray cplt.	0010020836CL

# 9. brewer motor

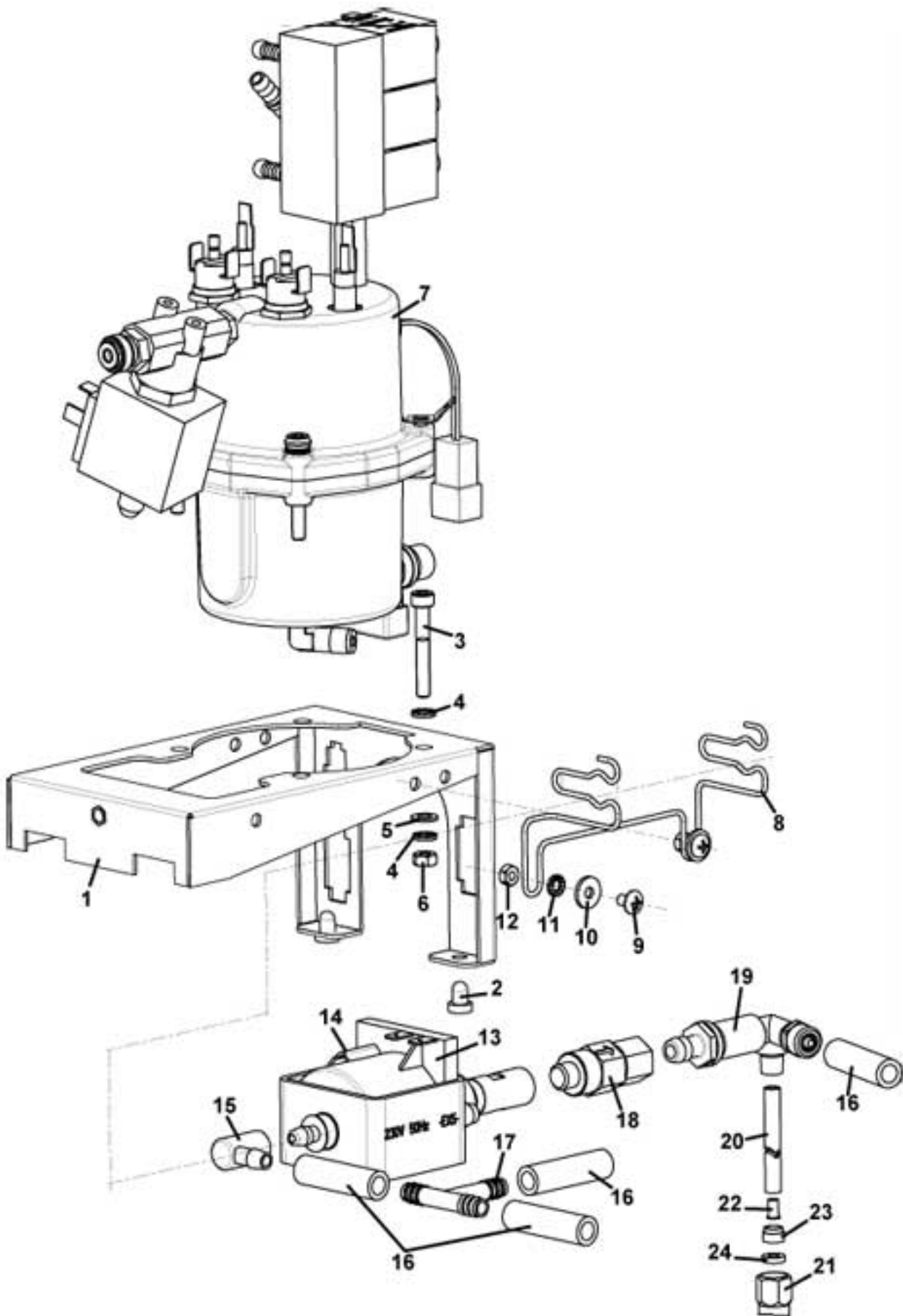


## 9. brewer motor

---

Pos.Nr.	Article description	Article Nr.
1		0260010128
2	11 RPM 24V DC MOTOR	0090002191
3	shaft brewer motor XX/Barista	0090002181
4	SCREW TCB M4 x 7	VIT0000030
5	MICRO PLATE	0250008093
6	MICRO SPACER	4600010014
7	MICRO SPACER	0250008091
8	MICRO 83.161.832	ELE0001528
9	MICRO LEVER	ELE0001904
10	M 3x20 TCB SCREW	VIT0000007
11	M3 FR NUT	VIT0004701
12	adjusting screw M4	0250008126
13	4x25 TCEI SCREW	VIT0005521
14	WASHER D.12 x 4.3 x 1.5	VIT0003301
15	GROUP READER DISK	0250008043
16	SCREW T.C.B. M 4 x 10	VIT0000012
17	MOTOR CRANK	0250008012
18	HOOKING LEVER	0250008034
19	SPRING FOR HOOKING LEVER	0250008059
20	4 x 40 CYLINDRICAL PIN	VIT0005205
21	4x12 TCEI SCREW	VIT0005508
22	WASHER D.8 x 4.3 x 0.8	VIT0003003
23	WASHER tab D. 4.3	VIT0003103

# 10. pressure boiler overview

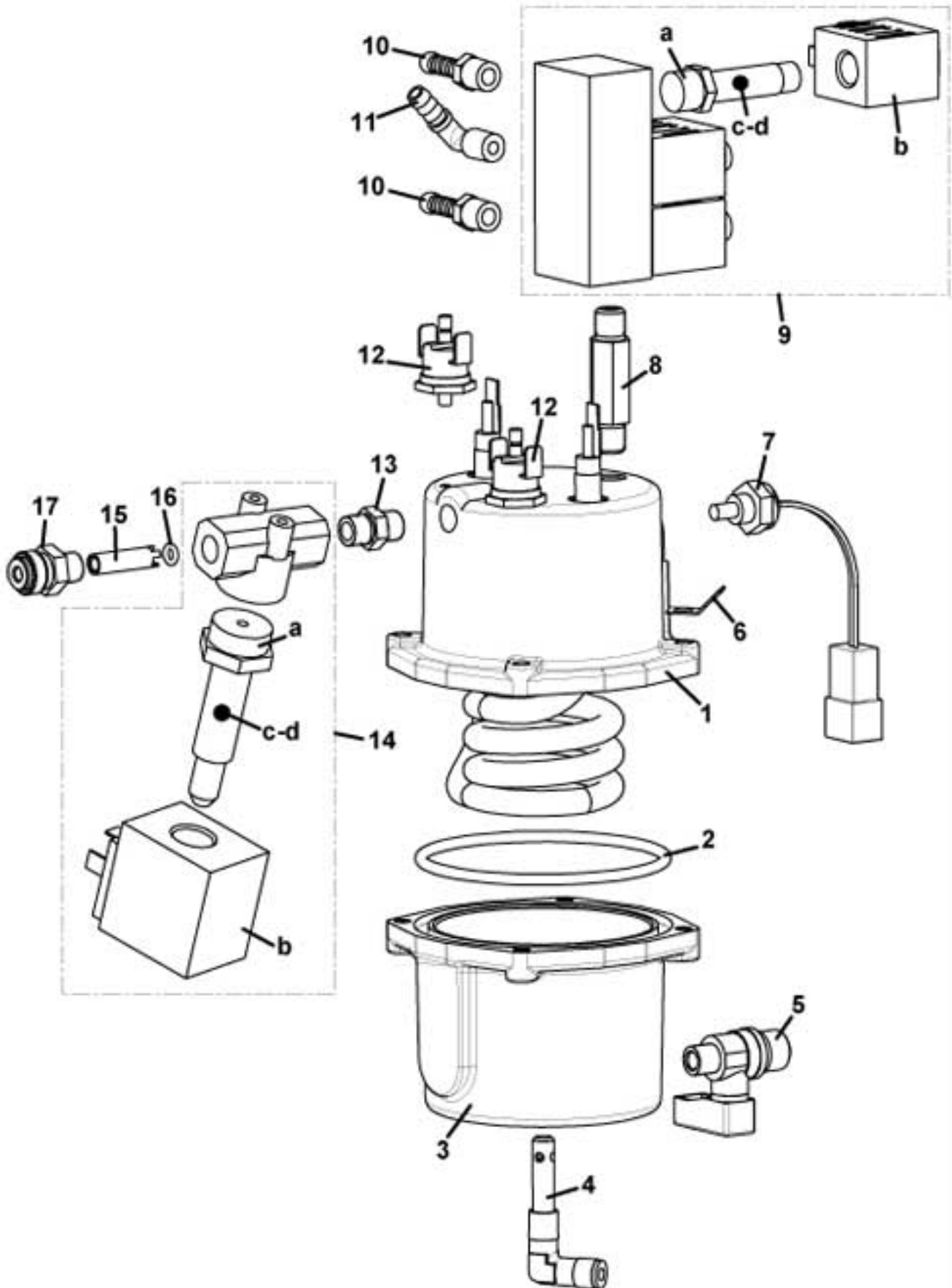


## 10. pressure boiler overview

---

Pos.Nr.	Article description	Article Nr.
1	BOILER SUPPORT	0010027221
2	BUTTON PLUG	0020018061
3	screw M5x35	VIT0000245
4	WASHER tab D. 5.1	VIT0003104
5	STAINLESS STEEL FLAT WASHER D.	VIT0003203
6	M 4 NUT	VIT0004504
8	bracket pump ULKA EX5	0110004038
9	SCREW TCB M4 x 7	VIT0000030
10	WASHER D.12 x 4.3 x 1.5	VIT0003301
11	WASHER tab D. 4.3	VIT0003103
12	NUT M 4	VIT0004503
13	EX5 230V 50 HZ PUMP	0110004041
14	THERMIC PROTECTION	ELE0000915
15	PIPETTE	0110004023
16	TRANSPARENT SILICONE PIPE D.5	TSIL05/08T
17	TEE UNION	0100003015
18	1/8M INLET - 1/8F OUTLET NON-R	0110002012
19	BY PASS VALVE 80 FOR COFFEE BE	0110004060
20	PTFE - PIPE 4x6 mm	TTEF04/06T
21	NUT FOR PIPE FITTING D.6	0100001002
22	STRENGTHENING BUSH D.4	0100002005
23	LOCKING RING D.6	0100002002
24	COPPER GASKET	0100003002

# 11. pressure boiler detail



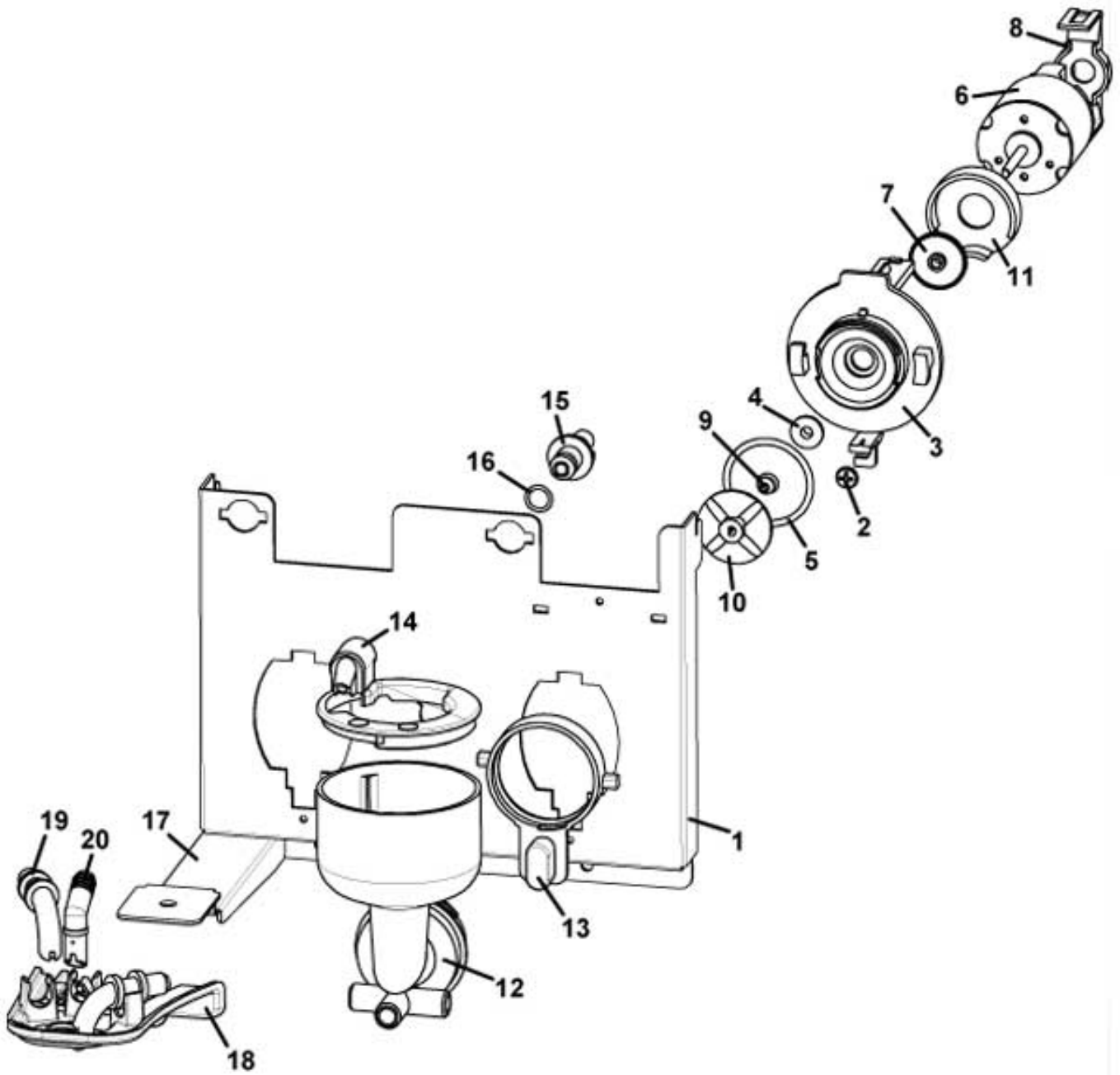


## 11. pressure boiler detail

---

Pos.Nr.	Article description	Article Nr.
1	UPPER BOILER CASING	0600019102
2	OR 4300 SILICONE	GUA0000095
3		0600019104
4	elbow connector with metal bushing	0600019115
5	COCK M/F 1/8	0600019017
6	washer CUBO PB	0600019012
7	ESPRESSO PROBE	ELE0000975
8	VALVE BOILER CONNECTION	0600012658
9	Valve block 3er cplt. 24V DC	0110001117
9	24V DC 7W 2-WAY VALVE	0110001111
9a	VALVE SLEEVE	0110010138
9b	COIL FOR EV 0110001111	0110010135
9cd	core for instant XX PB	0110010136
9cd	SPRING INSTANT VALVE XX PB	0110010139
10	RUBBER HOLDER DIR. D.7 1/8	0100001082
11	D.7 1/8 RUBBER HOLDE	0100001083
12	MANUAL RESET THERMOSTAT 120°C	ELE0000976
13	NIPPLO GC 1/8	0100001084
14	EV 3 WAY F-F 1/8 24V DC	0110001112
14a	VALVE SLEEVE	0110010142
14b		0110010141
14cd	core for brewer water XX PB	0110010144
14cd	SPRING COFFEE VALVE XX PB	0110010146
15	OR SPACER	0110003122
16	2015 OR	GUA0000069
17	WATER OUTLET UNION	0110003121
100		0600019120CLO
101		0600019119CLO

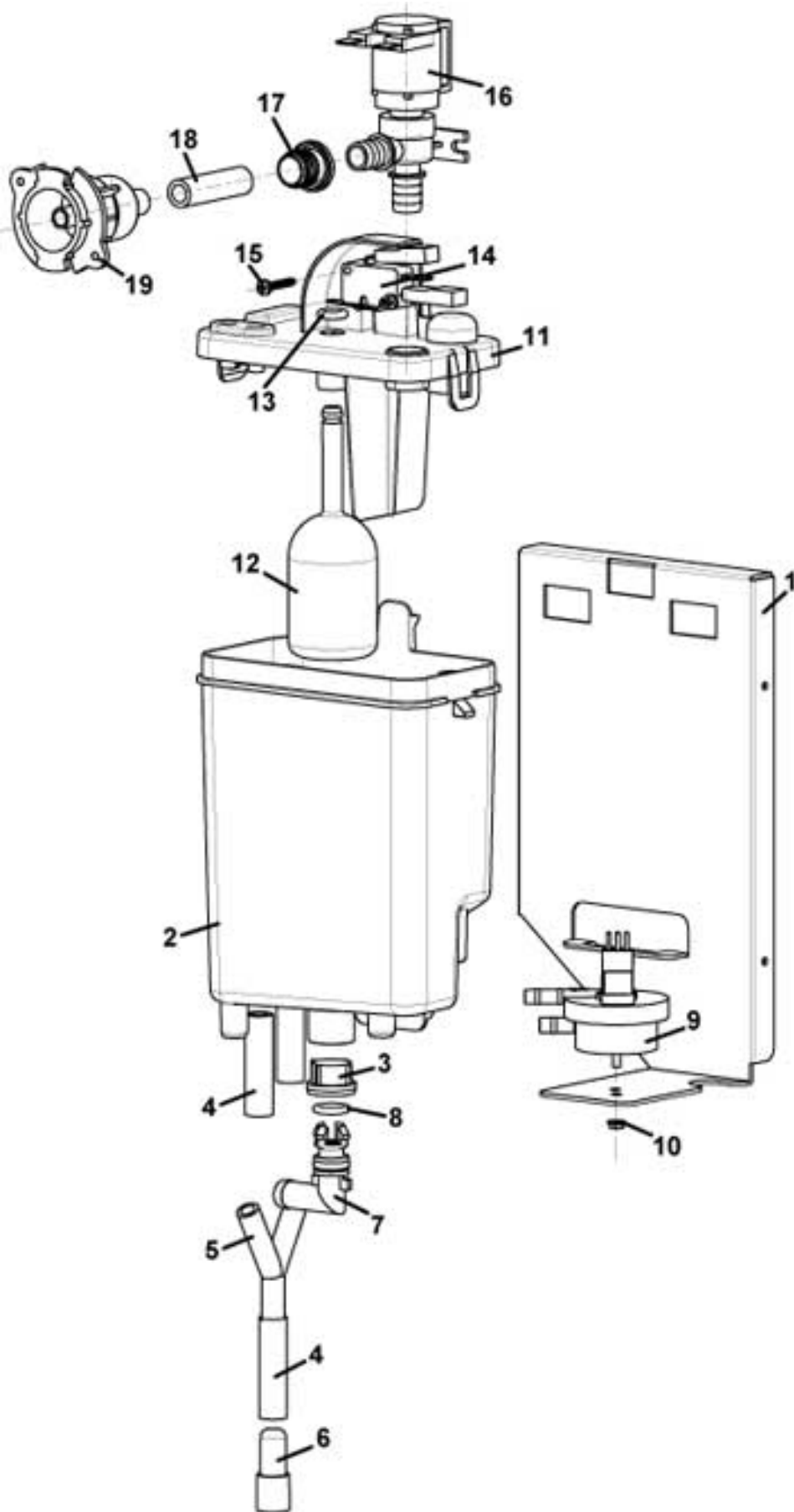
# 12. Mixer bowls



## 12. Mixer bowls

Pos.Nr.	Article description	Article Nr.
1		0080200012
1		0080200012NA
2	TAPPING SCREW TCB 3.5 x 9.5	VIT0002401
3	MIXER BASE	0080100005
4	MIXER BASE BUSH	0080100015
5	OR 3131	GUA0000084
6	24 V DC MIXER MOTOR SHAFT D.4	0090003023
7	DRIP TRAP FAN	0080100024
8	MOTOR HOUSING CONNECTION ORANG	0080100009
8		0080100009IC
9	MIXER SHAFT GASKET (V-RING)	0080100014
10	SMALL FAN MIXER SHAFT D.4	0080100011
10	SMALL FAN MIXER SHAFT D.4 OVER	0080100011PL
11	MIXER COVER ORANGE RAL 2011	0080100023
11		0080100023IC
12	MIXER BODY NO INLET OVERSEAS B	0080100041PL
12	MIXER BODY NO INLET	0080100041
13		0080100006IC
13	STOPPER RING ORANGE RAL 2011	0080100006
14	micer trap grey XX PB /X2	0080100080
15	SHORT MIXER INSERT	0080100043
16	SILICONE OR 106	GUA0000085
17		0080200011
17		0080200011NA
18	Halt.Produktauslaufs.XSGRANDE	0020039529
18		0020039529NA
19	INGREDIENT PIPE	0010020052
20		0020039533
100	MIXER BASE+MOTOR ASSEMBLY assi	0080100001R
101		0080200010CL

# 13. water inlet panel

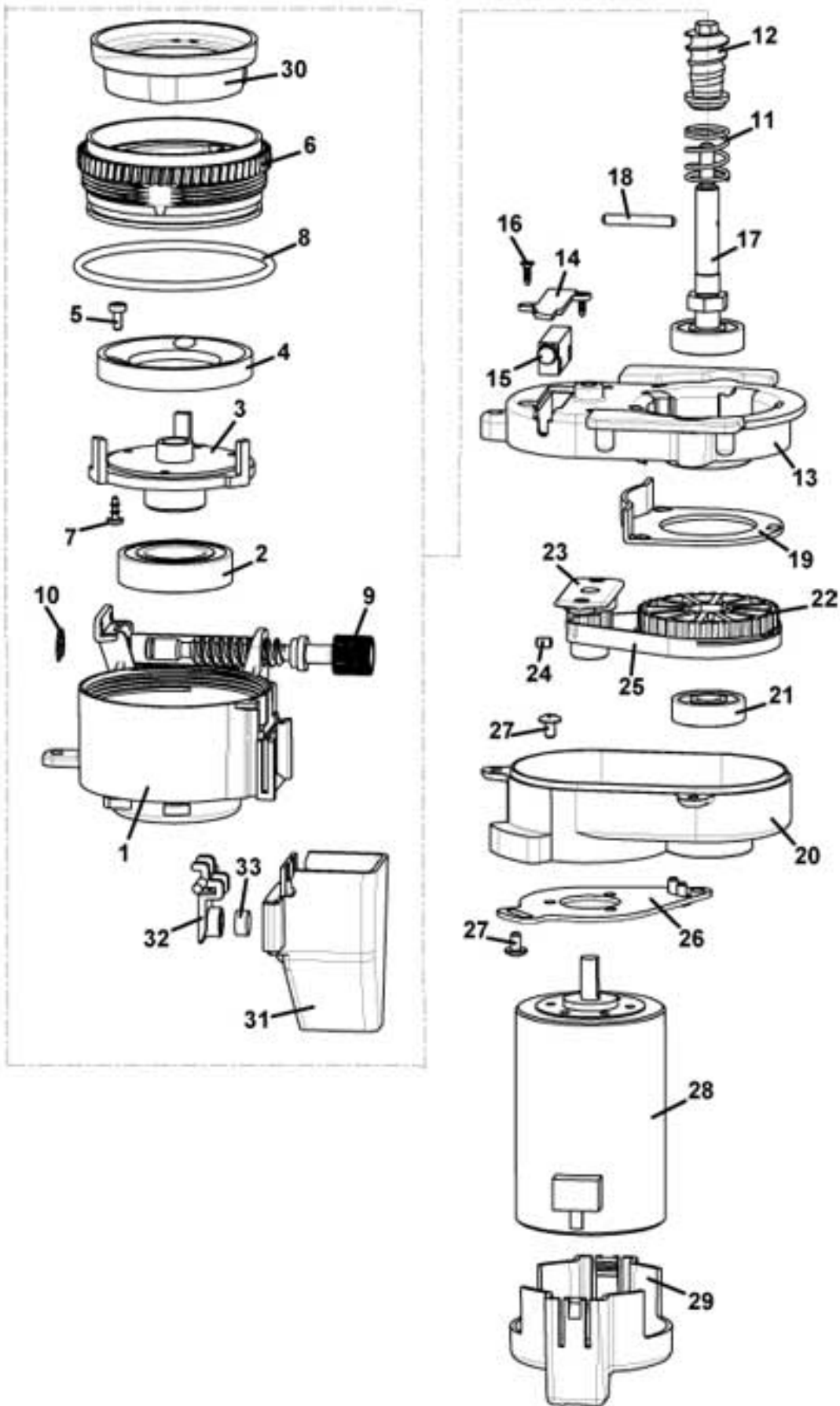


## 13. water inlet panel

---

Pos.Nr.	Article description	Article Nr.
1	Halteb.Ausgleichsb.Tassi100S/B	0010027244
2	TANK	0800013041
3	D.20 PLASTIC FILTER	0110020007
4	TRANSPARENT SILICONE PIPE D.7	TSIL07/11T
5	Y FITTING	0100001065
6	BOILER DISCHARGE PLUG	650001057
7	ELBOW WITH RAPID CONNECTION	0800009211
8	OR 109	GUA0000043
9	VOLUME COUNTER W/RUBBERHOLDER	0110007003
10	M3 FR NUT	VIT0004701
11	TANK COVER	0800013043
12	FLOATER TANK	0800013046
13	SILICONE GASKET D.6 CORD 3	GUA0000082
14	3 A 250 V MICROSWITCH	ELE0001514
15	screw 2.9 x 19	VIT0002013
16	EV NC.2VIE S/R 24DC D.7	0110001103
17	VALVE GASKET	0800013051
18	TRANSPARENT SILICONE PIPE	TSIL06/11T
19	FIXED TANK CONNECTION	0800012015

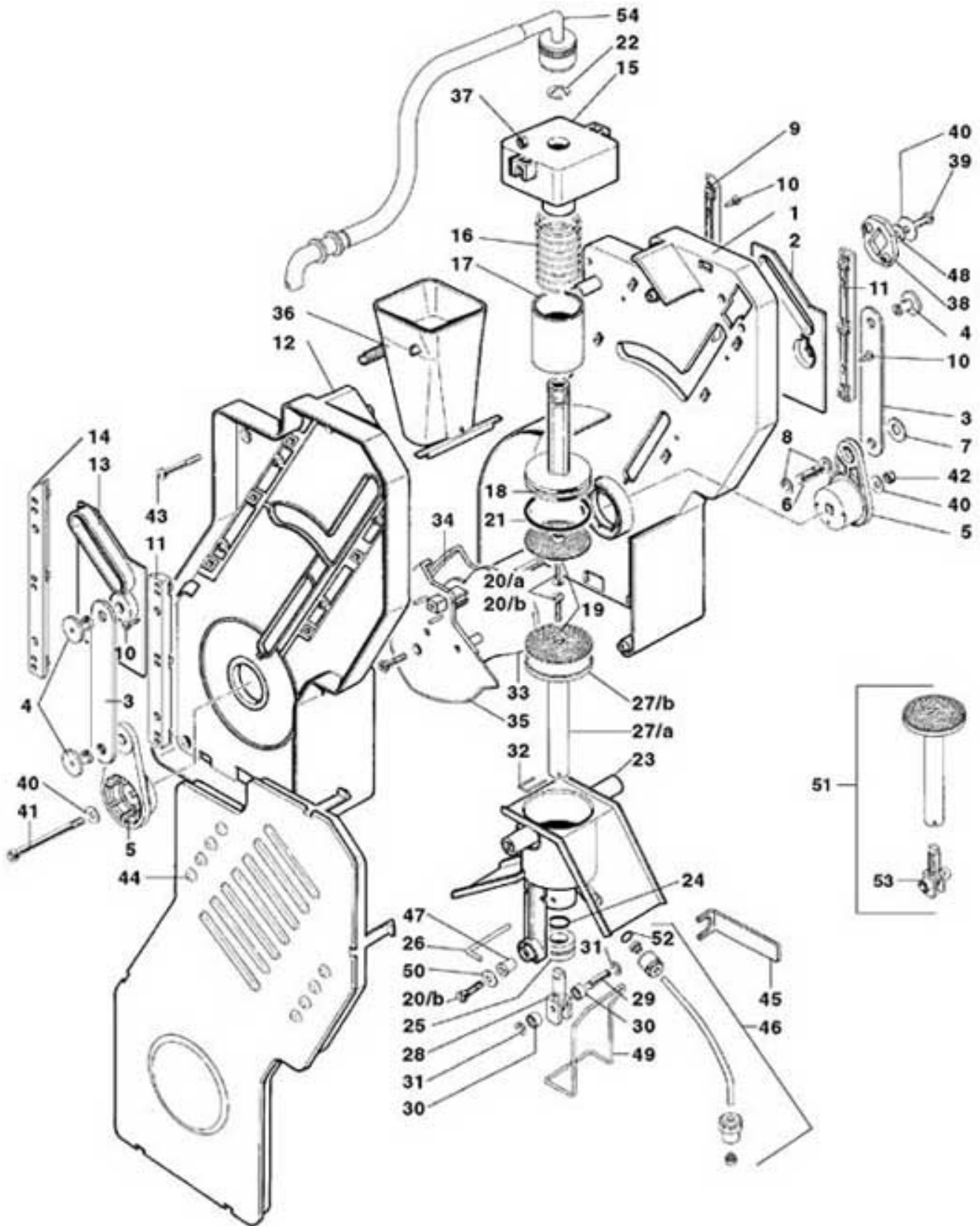
# 14. Grinder



## 14. Grinder

Pos.Nr.	Article description	Article Nr.
1		0320001525
1	grinder upper part	0320001525AH
2	bearing grinder	VIT0009307
3	inlet grinder	0320001536
4	GRINDER COUPLE LUCE PB	0090003004
5	M 4x8 TCB SCREW	VIT0000024
6		0320001515
6	adjustment ring grinder	0320001515AH
7	STAINLESS STEEL SCREW TBC 3.5	VIT0002015
8	O-Ring 3262	GUA0000101
9	adjusting screw grinder LUCE X2	0320001514AH
9	adjusting screw grinder LUCE X2	0320001514
10	locking ring	VIT0006506
11	spring	0320001533
12	beans spiral conveyor	0320001538
13	grinder upper part	0320001513AH
13		0320001513
14	cover sensor	0320001521AH
14		0320001521
15		ELT0030671
16	Screw 2.9x6.5	VIT0002107
17	axis grinder	0320001512
18	3 x 16 SPIROL PIN	VIT0005101
19		0320001524
19	plastic cover	0320001524AH
20		0320001506
20	grinder lower part	0320001506AH
21	bearing grinder	VIT0009311
22	toothbelt disc	0320001531AH
22		0320001531
23	toothbelt drive	0320001537
24	M 4 x 6 DOWEL	VIT0007002
25	tooth belt	0090006006
26	guiding plate for motor	0320001522
27	SCREW TCB M4 x 7	VIT0000030
28	MILL 220 V DC MOTOR X2 NEW	0090003045
29	cover electrical connectors	0320001519AH
29		0320001519
30	Dichtung Mahlwerk XS GRANDE	0320001540
31	Rutsche Mahlwerk XS GRANDE PB	0250010290IC
31		0250010290
32	Klappe Rutsche Mahlwerk LUCE X2	0250010292IC
32		0250010292
33	Gewicht Rutsche Mahlwerk LUCE X2	0250010303
100	direct grinder LUCE X2	0320001504CL
101	Mahlwerk 220 V/DC Ohne Sensor	0320001505CL

# 15. brewer

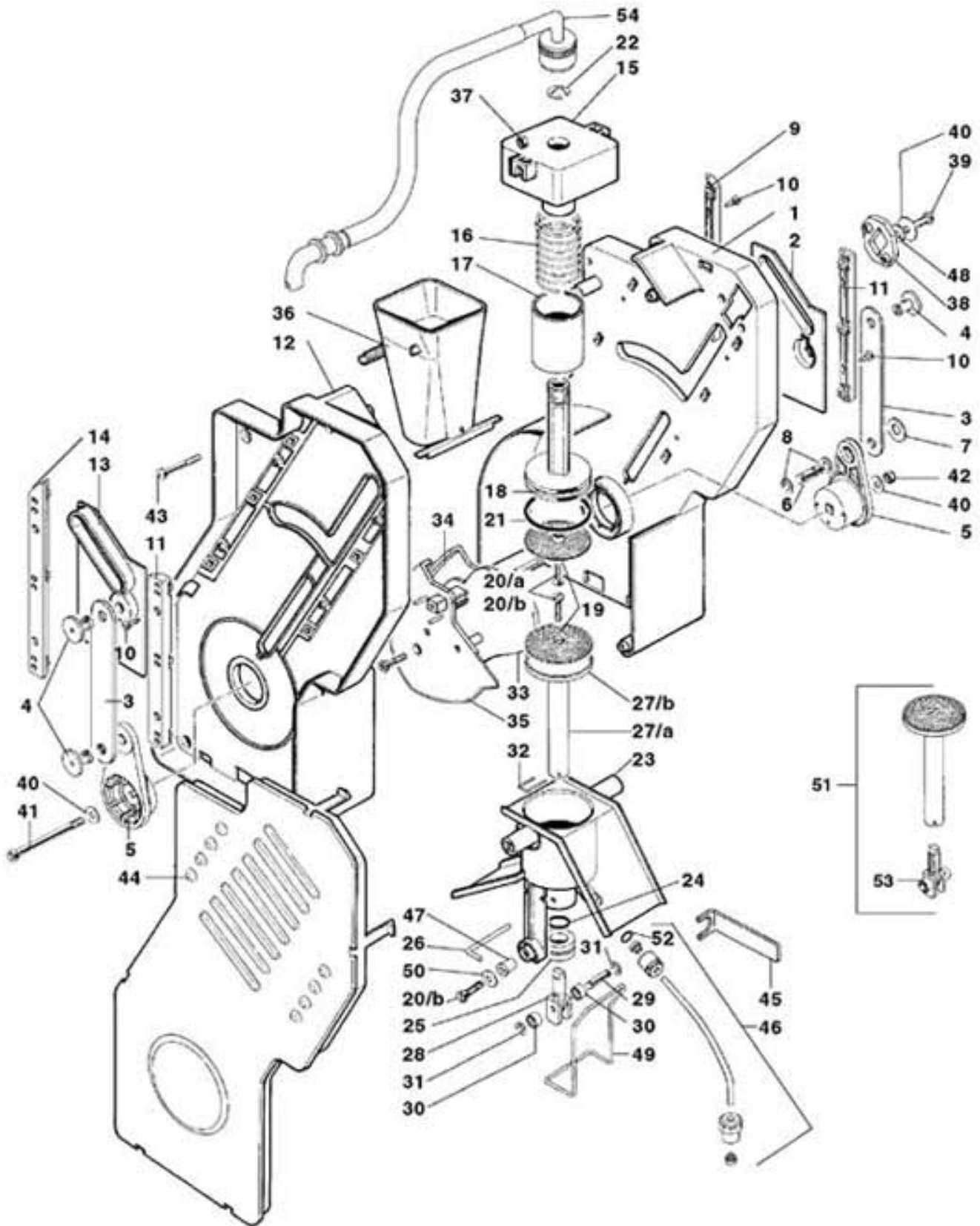




**15. brewer**

<b>Pos.Nr.</b>	<b>Article description</b>	<b>Article Nr.</b>
1		0250008005
2	tappet brewing chamber right	0250008084
3	CONNECTING ROD	0250008009
4	PIN FOR CONNECTING ROD	0250008028
5	R.H. CRANK	0250008011
6	MOTOR CRANK PIN	0250008014
7	ANTIVIBRATION WASHER	0250008042
8	D.5 RADIAL STOP RING	VIT0006515
9	R.H. REAR GUIDE	0250008031
10	3.5x 6.5 STAINLESS STEEL TAPPI	VIT0002026
11	FRONT GUIDE	0250008033
12	L.H. FRAME	0250008006
13	L.H. INFUSION CHAMBER CAM	0250008085
14	L.H. REAR GUIDE	0250008032
15	UPPER FILTER SUPPORT	0250008086
16	UPPER FILTER SPRING	0250008024
17	SPRING COVER PIPE	0250008087
18a	D.36 UPPER FILTER	0250008026
18b		0250008208IC
18b		0250008208
19	FILTER	0250008099
19	FILTER D.40	0250008211
20	M 3x8 TSP SCREW	VIT0000121
21	SILICONE 4112 OR	GUA0000080
21	SILICONE 4131 OR	GUA0000097
22	D.8 STAINLESS STEEL INSIDE SEE	VIT0006513
23		0250008206RIC
23	INFUSION CHAMBER 9 gramm	0250008206R
23		0250008046R
24	SILICONE OR 112	GUA0000065
25	LOWER INLET CUP BUSH	0250008053
26	GLASS BUSH PIN	0250008029
27		0250008209
27a		0250008108
27b	LOWER FILTER BREWER 9gramm	0250008209IC
27b	LOWER FILTER	0250008122
28	LOWER FILTER ROLL SUPPORT	0250008106
29	ROLL SHAFT	0250008021
30	ROLL SHAFT	0250008022
31	D.3.2 RADIAL STOP RING	VIT0006516
33	FILTER EJECTION CAM	0250008083
34	R.H. FILTER RECOVERY CAM	0250008016
35	L.H. FILTER RECOVERY CAM	0250008017
36	COFFEE CONE	0250008036
37	STAINLESS STEEL NUT M4	VIT0004803
38	SETTING PLATE	0250008035
39	M 4x8 INOX TCB SCREW	VIT0000032
40	4.3x16x1.5 STAINLESS STEEL FLA	VIT0003309

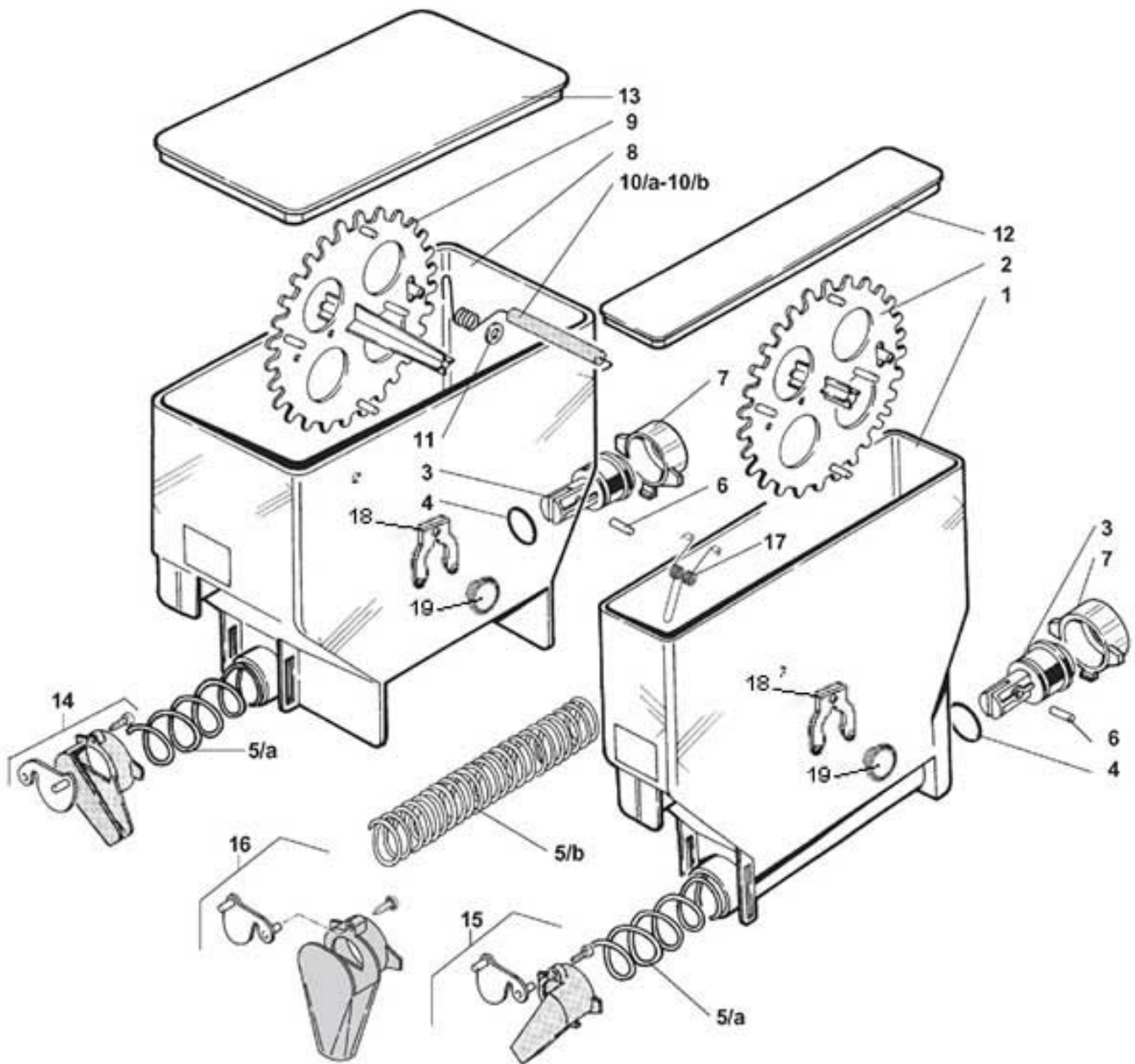
# 15. brewer



**15. brewer**

<b>Pos.Nr.</b>	<b>Article description</b>	<b>Article Nr.</b>
41	4x60 STAINLESS STEEL TCEI SCRE	VIT0005523
42	M 4 SELFLOCKING NUT	VIT0004810
43	SCREW TCCCRT 4,2 x 26	VIT0002461
44	L.H. FRAME COVER	0250008039
44	L.H. FRAME COVER FOR COFFEE BE	0250008039IC
45	KEY FOR NUT	0250008048
46	WATER INLET PIPER ASSEMBLY	0250008110CL
47	M 3 CONNECTION FOR THERMOPLAST	VIT0009203
48	GROWER SPRING WASHER	VIT0003451
50	WASHER FOR CHAMBER CAM	0250008088
51	D.36 LOWER FILTER+ROLL SUPPORT	0250008109R
52	2010 VITON OR	GUA0000061
53	LOWER FILTER ROLL SUPPORT	0250008107R
54	COFFEE OUTLET PIPE ASSEMBLY XS PB	0250008070CL
100		0250008001R
101	MICRO COFFEE GROUP D.40	0250008201R
102	D.36 UPPER FILTER ASSEMBLY	0250008026R
103	D.40 UPPER FILTER ASSEMBLY 9gr	0250008208R
104	D.36 LOWER FILTER MICROBREWERS	0250008108R
105	BREWER FILTER SUPPORT SHFT	0250008209R
106		

# 16. product container

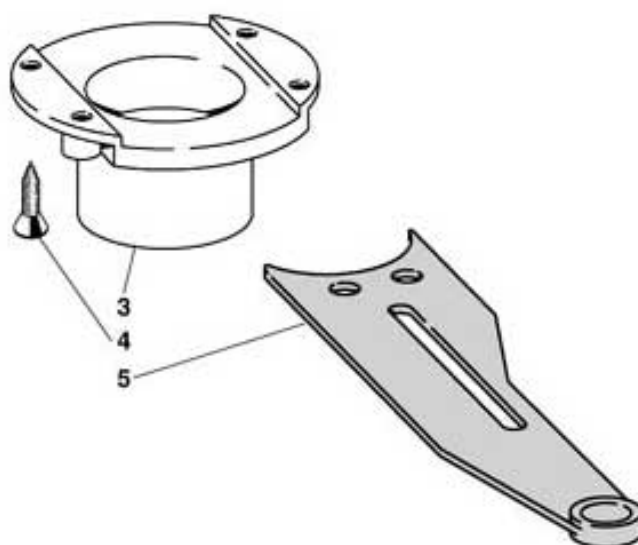
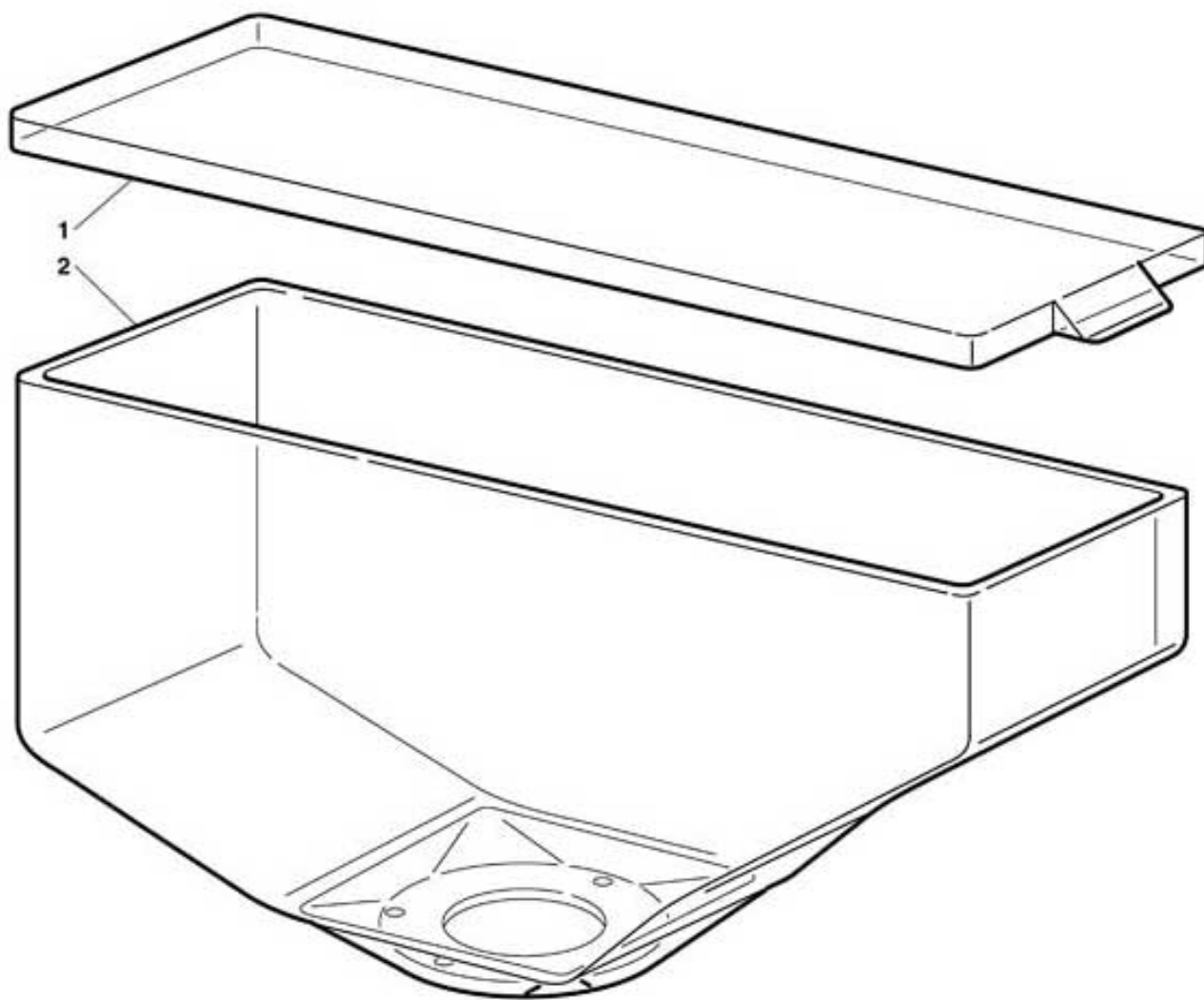


## 16. product container

---

Pos.Nr.	Article description	Article Nr.
1	Produktb. schmal 55mm XS/XX	0230030500
2	MIXER GEAR	0230030236
3	WORM SCREW PIN	0230030012
4	OR 123	GUA0000083
5a	WORM SCREW P.18	0230030014
5b	WORM SCREW P. 9	0230030013
6	ELASTIC PIN D.2 x 14	VIT0005301
7	REAR BUSH	0230030011
8		0230030520
9	MIXER GEAR mm.110	0230030237
10ab	INGREDIENT MIXER 112 mm. R.H.	0230030041
10ab	INGREDIENT MIXER 112 mm. L.H.	0230030042
11	STAINLESS STEEL FLAT WASHER D.	VIT0003210
12	CONTAINER COVER 54 mm. From se	0230030156
13	CONTAINER COVER 110 mm. From s	0230030158
14	product slide right cplt.	0230030058R
14	RIGHT CONVEYOR INGREDIENT	0230030044R
15	LEFT CONVEYOR INGREDIENT	0230030043R
15	product slide left cplt.	0230030057R
16	product slide straight cplt	0230030059R
17	INGREDIENT MIXER product container Choco XX	0230030052
18	GEAR PIN FORK	0230030239
19	PIN ROTATION GEAR	0230030238
100	products container cplt. wide 18er from cw45/08	0230030522R
101	products container cplt. wide 18er from cw45/08	0230030525R
102	product container narrow 18er XS 45/08	0230030506R
103	product container narrow 9er XS 45/08	0230030502R

# 17. coffee beans container

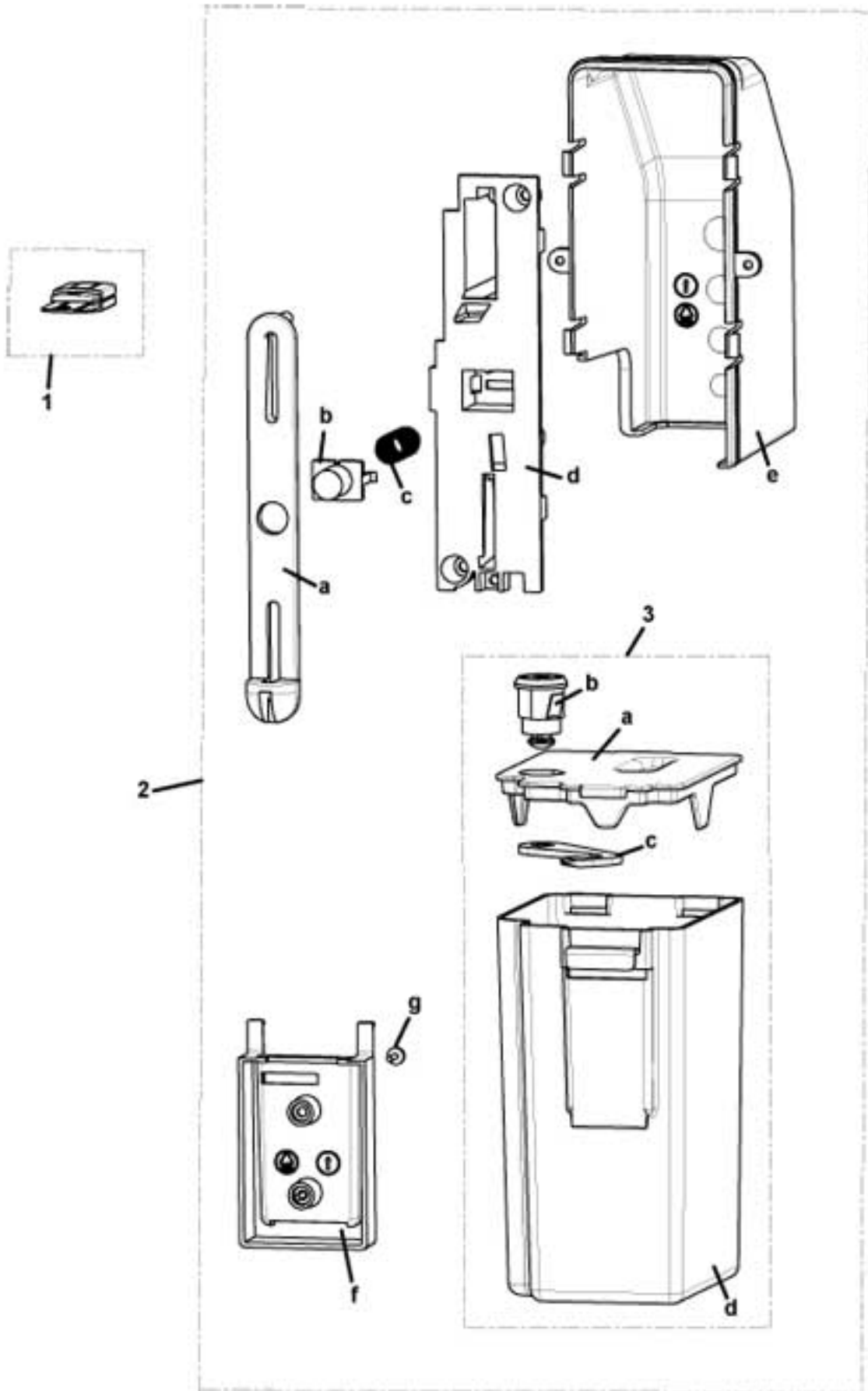


## 17. coffee beans container

---

<b>Pos.Nr.</b>	<b>Article description</b>	<b>Article Nr.</b>
1	COFFEE CONTAINER COVER	0230015159
2	COFFEE CONTAINER	0230015158
3	COFFEE CONTAINER BOTTOM BLACK	0230015066
3		0230015066NA
4		VIT0002114
5	RED COFFEE CONT. BLADE X2 NEW	0230015207
5	beans container blade	0230015207IC
100	COFFEE CONTAINER ASSEMBLED ass	0230015158R

# 18. coin acceptor kit



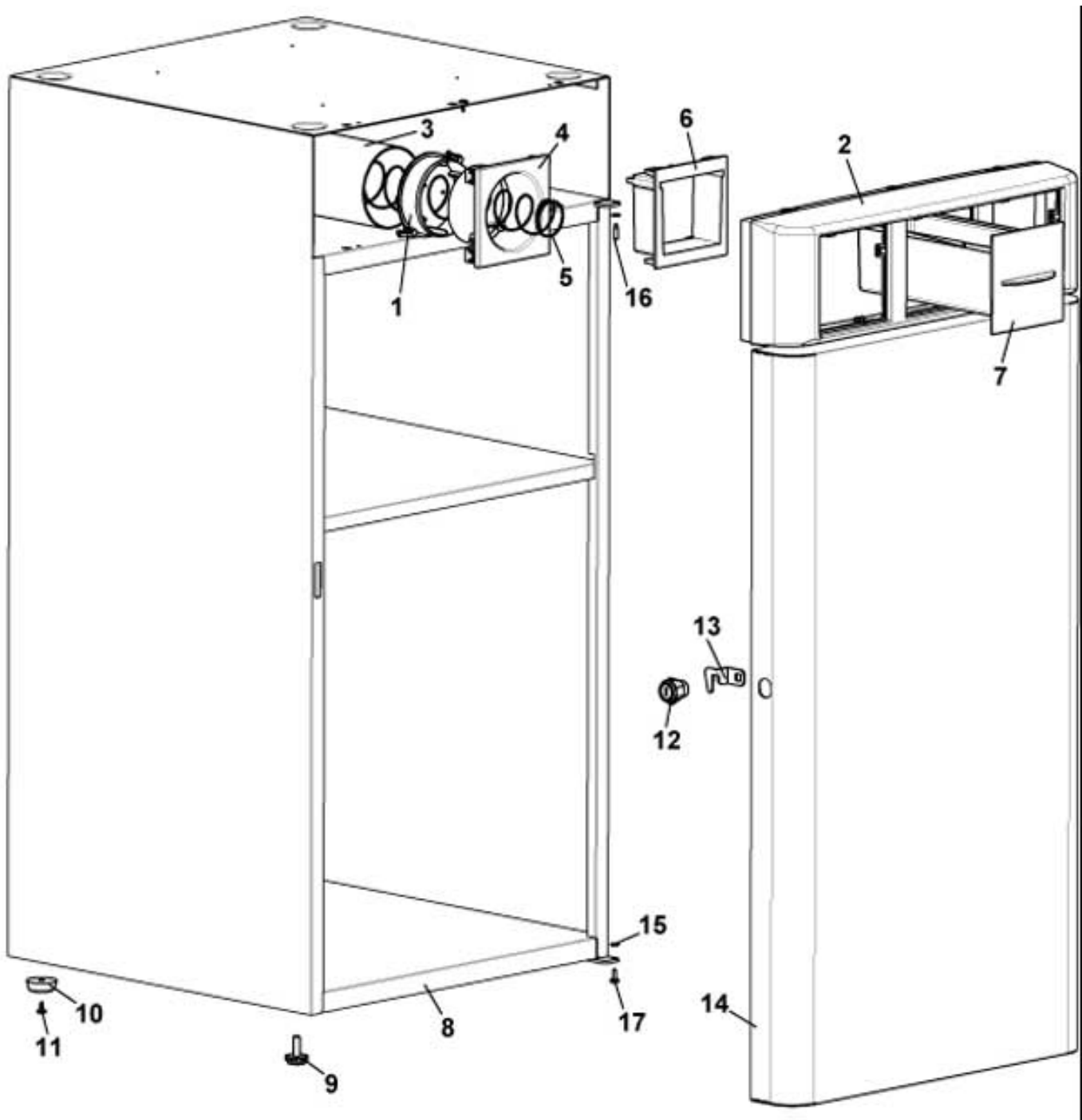


## 18. coin acceptor kit

---

Pos.Nr.	Article description	Article Nr.
1	FLASH CARD 1 MB	0020040310CL
2		D2109600A0000
2a	BLACK COIN BOX TAB	0020035031NA
2a		0020035031KB
2a		0020035031EC
2a	cover coin input	0020035031CM
2a		0020035031CG
2a		0020035031CF
2a		0020035031
2b		0020035033NA
2b	DARK-RED COIN RETURN BUTTON 30	0020035033KB
2b	RED COIN RETURN BUTTON 3020	0020035033KA
2b		0020035033EC
2b	COIN RETURN BUTTON SILVER	0020035033CM
2b		0020035033
2c	COIN RETURN BUTTON SPRING	0020035034
2d	COIN BOX SUPPORT	0020035032NA
2d		
2e		0020039510
2e		0020039510IC
2e		0020039510NA
2f		0020039528
2f		0020039528IC
2f	Halterung Kasse XS GRANDE	0020039528NA
2g	TAPPING SCREW TCB 3.5 x 12	VIT0002452
3		0020039525R
3a		0020039527
3a		0020039527NA
3b	154 RAPID BOX LOCK *	SER0000015
3c	COIN BOX HOOK	0020037128
3d		0020039526
3d		0020039526NA

# 19. Base cabinet



## 19. Base cabinet

---

Pos.Nr.	Article description	Article Nr.
1	CUP TUBE SUPPORT	0010020324
2		0010024754
3		0010024764
4		0010027147CM
4		0010027147
5	CUP PUSHING SPRING	0010020334
6		0010027143
7		0010027144
9		VIT0010504
10		0010005016
11	TAPPING SCREW TCB 3.5 x 9.5	VIT0002401
12	locking cylinder Nr.3400	SER0000026
13	closing hook BUSINESSSTAR	0020037015
15	WASHER D.8 x 4.3 x 0.8	VIT0003003
16	DOOR HINGE UPPER PIN	0010020313
17	SCREW TE M4x10	VIT0000205









Your Service and Consulting Partner