



# ● **cafe**

**XS Grande SM**

**Sparepart book**

**Release: 30.03.2009**

**Automatically generated at 06.07.2009**

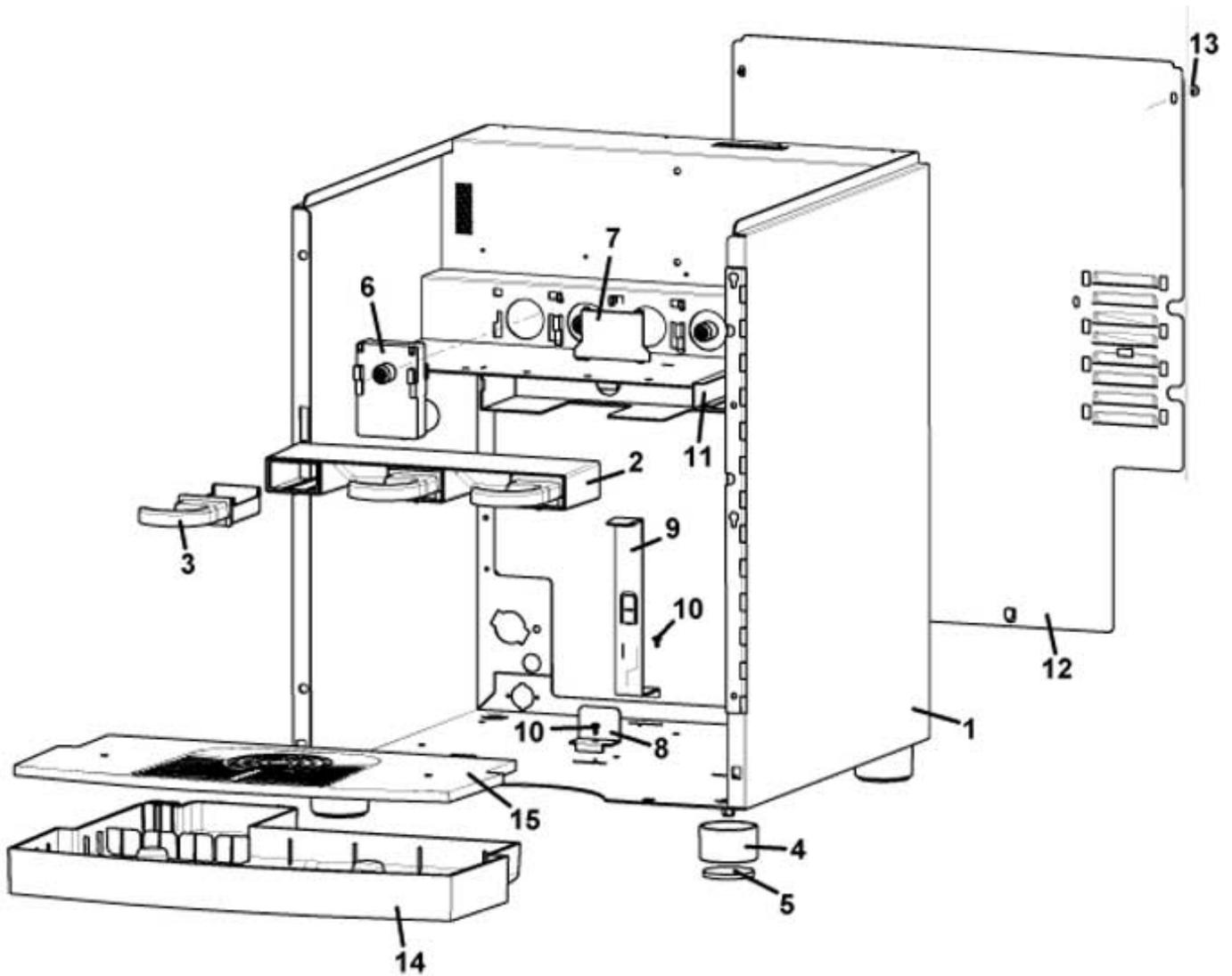




# Table of content

<b>1. CABINET- exploded diagramm</b> .....	1
1. CABINET- Article List.....	2
<b>2. UPPER COVER- exploded diagramm</b> .....	3
2. UPPER COVER- Article List .....	4
<b>3. REAR CABINET- exploded diagramm</b> .....	5
3. REAR CABINET- Article List.....	6
<b>4. SWITCHING CABINET- exploded diagramm</b> .....	7
4. SWITCHING CABINET- Article List .....	8
<b>5. DOOR- exploded diagramm</b> .....	9
5. DOOR- Article List .....	10
<b>6. CUPS STOP- exploded diagramm</b> .....	11
6. CUPS STOP- Article List .....	12
<b>7. LIGHTING GLASS- exploded diagramm</b> .....	13
7. LIGHTING GLASS- Article List .....	14
<b>8. MIXER PLAN- exploded diagramm</b> .....	15
8. MIXER PLAN- Article List .....	16
<b>9. BOILER- exploded diagramm</b> .....	17
9. BOILER- Article List.....	18
<b>10. PRODUCTS CONTAINER- exploded diagramm</b> .....	19
10. PRODUCTS CONTAINER- Article List.....	20
<b>11. OPTIONAL COIN ACCEPTOR KIT- exploded diagramm</b> .....	21
11. OPTIONAL COIN ACCEPTOR KIT- Article List .....	22
<b>12. BASE CABINET- exploded diagramm</b> .....	23
12. BASE CABINET- Article List.....	24
<b>Orderfax-Form</b> .....	25

# 1. CABINET

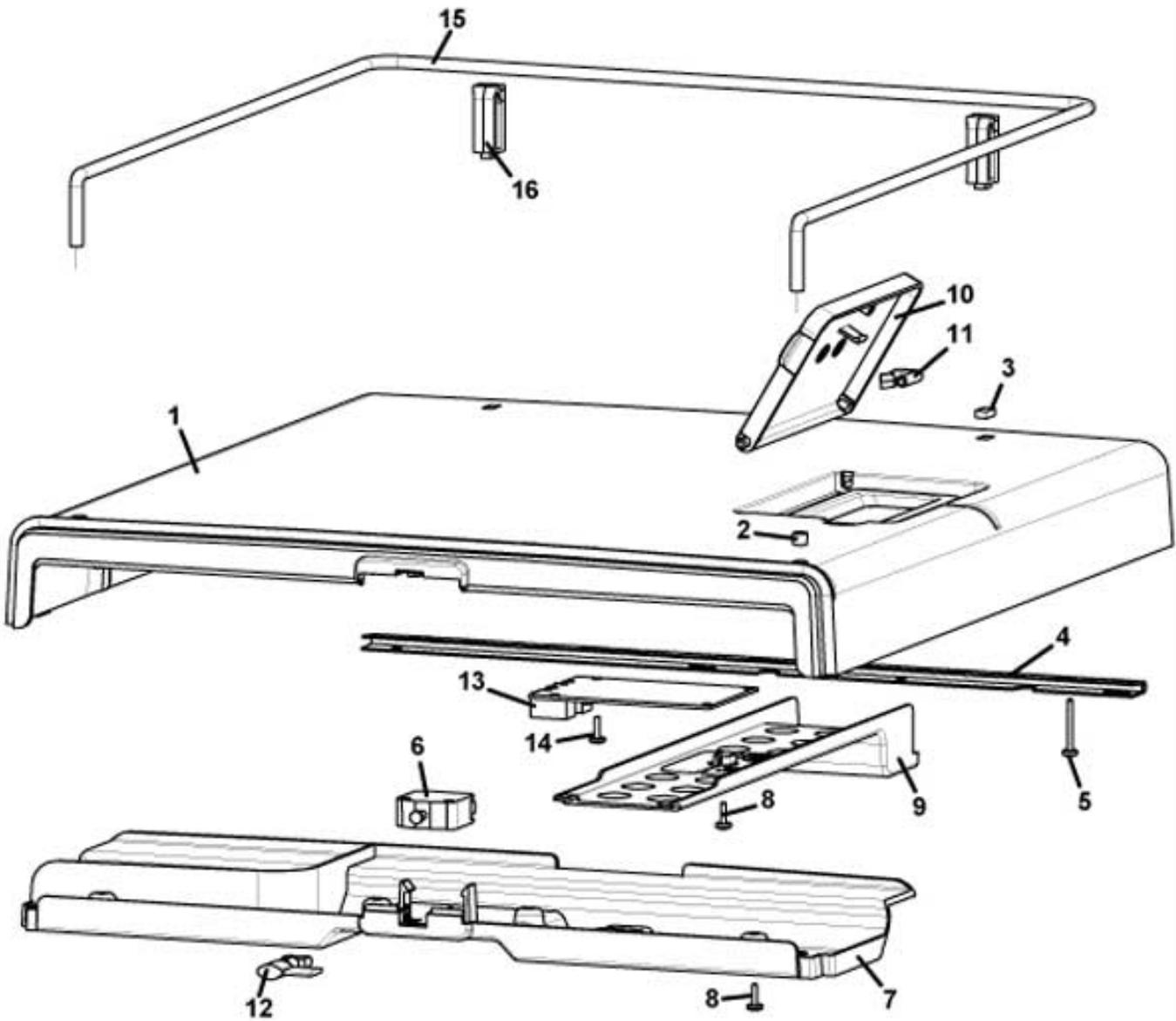


# 1. CABINET

---

Pos.Nr.	Article description	Article Nr.
1		0010024105NA
1		0010024105DE
1		0010024105
2		0010027036
3	EXTERNAL EXHAUST DRAWER	0010027022
4		0010024111
4		0010024111NA
4		0010024111XC
5		0010024112
6	MR NCJM2480-X 24VDC	0090002113
7		0010020029
7	GEAR MOTOR MASK	0010020029NA
8	ANSCHLAGWINKEL BOILER MAXIBONA	0010020719
9		0600014117
10	TAPPING SCREW T.C.B. 3,5 x 6,5	VIT0002009
11		0010021217
12		0010024028NA
12		0010024028
12		0010024028DE
13	TAPPING SCREW TCB 3.5 x 9.5	VIT0002401
14		0020039036CL
15		0020039035CM
15		0020039035
15		0020039035CG

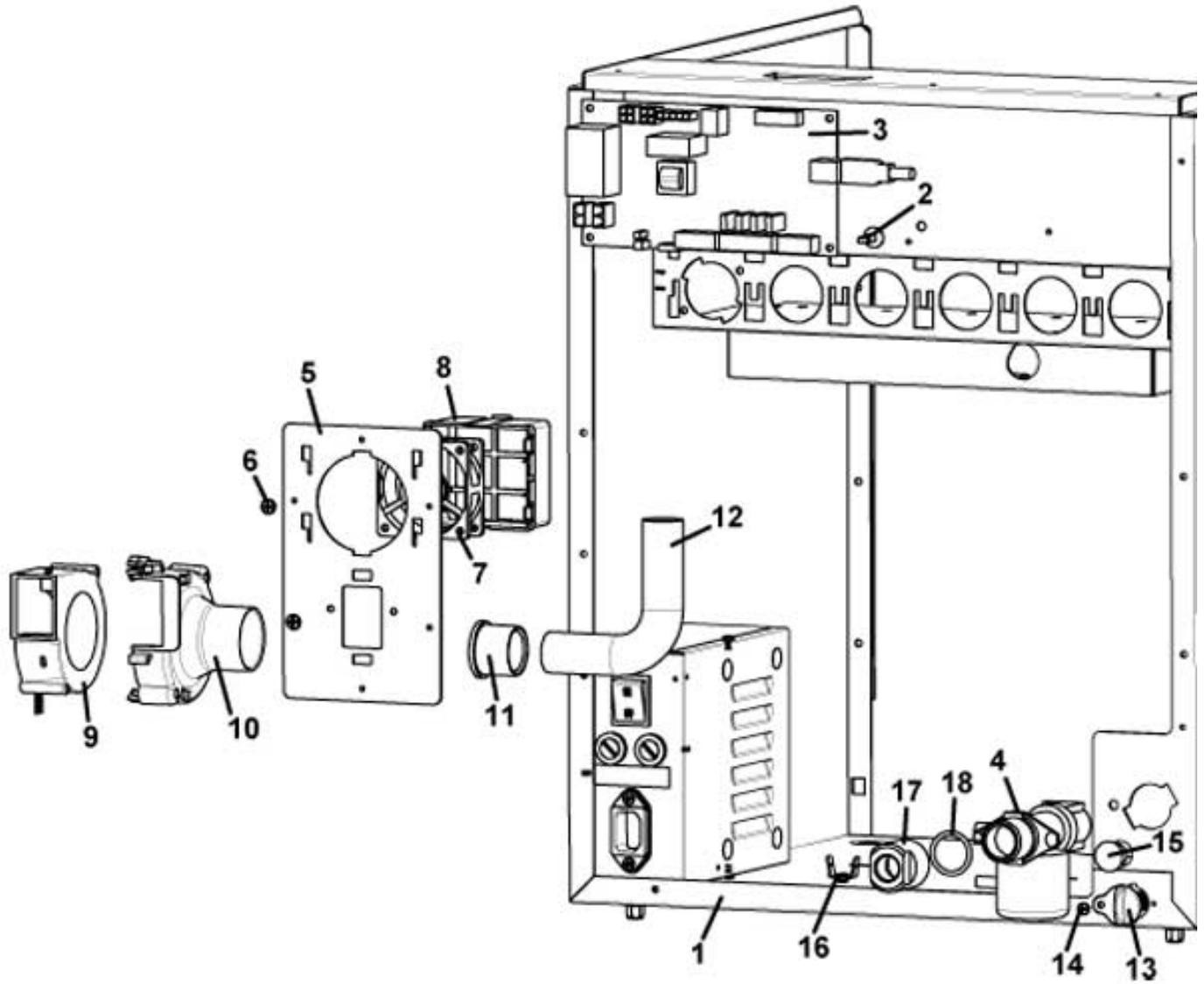
## 2. UPPER COVER



## 2. UPPER COVER

Pos.Nr.	Article description	Article Nr.
1		0010024116NA
1		0010024116DE
1		0010024116
2	RING PLUG	0010027344
3	RING SUPPORT PLUG	0010027343
4		0010024012
5	QUICK-THREAD TC SCREW 3.5 x 25	VIT0002456
6	SWITCH 16A-250V UL	ELE0002019
7		0010024117
7		0010024117NA
7		0010024117IC
8	SCREW TC 3.5 x 10 FOR PLASTIC	VIT0002469
9		0010024119NA
9		0010024119IC
9		0010024119
10		0010024118
10		0010024118NA
10		0010024118DE
11		0020037124NA
11	CUP SUPPORT PIN BLACK	0020037124
12		0270011109
12		0270011109IC
13	RFID-BOARD	SCH0006260
14	TAPPING SCREW TCB 3.5 x 12	VIT0002452
15		0010024124
16	RING SUPPORT TRASPARENT OPALIN	0010027272
16		
16		0010027272NA

### 3. REAR CABINET

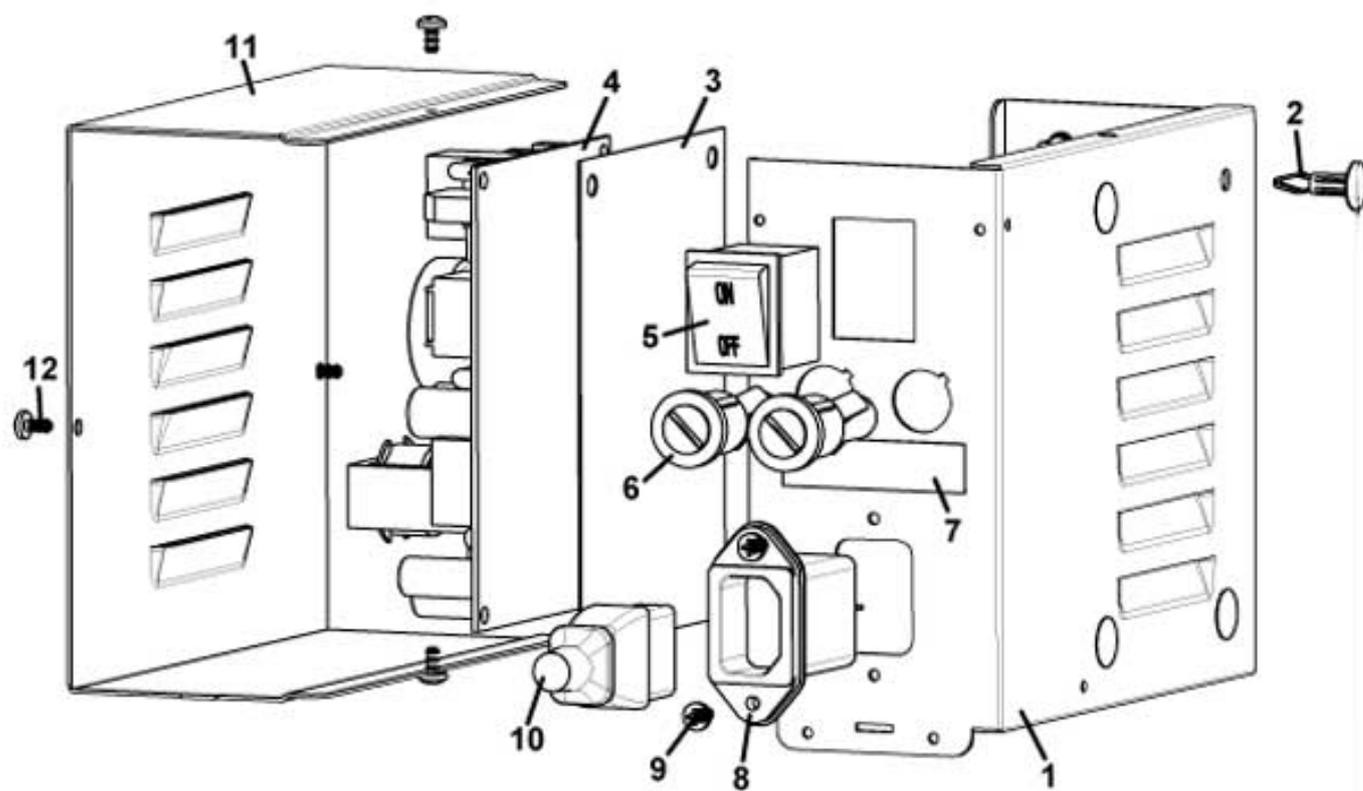


### 3. REAR CABINET

---

Pos.Nr.	Article description	Article Nr.
1		0010024105
1		0010024105DE
1		0010024105NA
2	BOARD SUPPORT	ELE0062013
3	CPU XS GRANDE SM/PB	SCH0007960
4	EV.DIS.SICUR.800.150 MOD.24VDC	0110001058
5		0130013018
5		0130013018NA
6	TAPPING SCREW TCB 3.5 x 9.5	VIT0002401
7	AXIAL FAN FL0625LD 24DC	ELE0000462
8	FAN TRAY	0010027064
9	fan motor	ELE0000465R
10		0010024129NA
10		0010024129
11		0070020073CY
11		0070020073NA
11		0070020073
12		TEOL000001CL2EOLO
13	H2O RAPID DISCHARGE PLUG	0600016455
14	TAPPING SCREW T.C.B. 3,5 x 6,5	VIT0002009
15	RELEASE PLUG	GUA0011010
16		ELE0060520
17	3/8 GAS M WATER INLET VALVE CO	0810010558
18	OR 130 JUST FOR MAIN WATER SUP	GUA0000021

## 4. SWITCHING CABINET

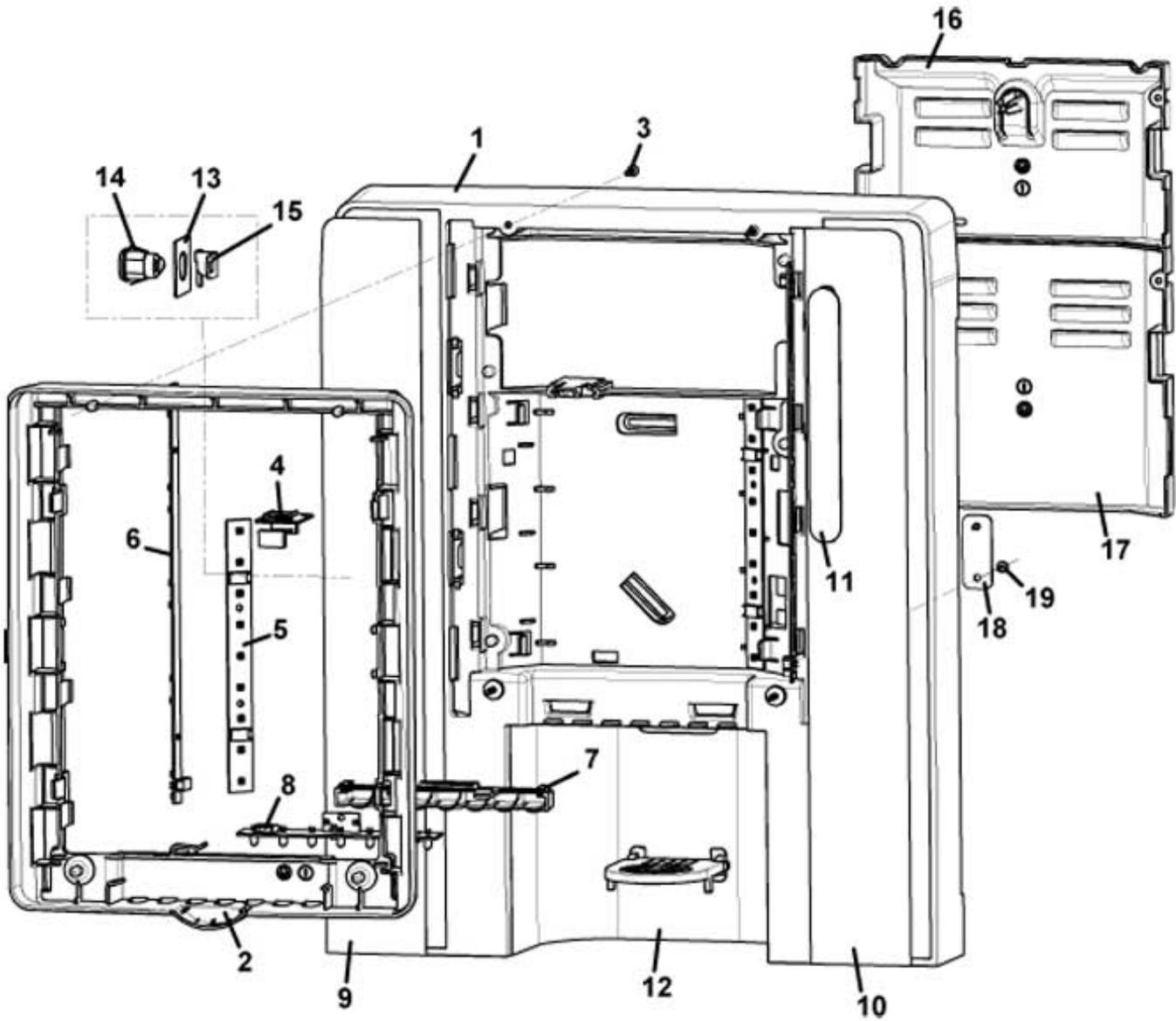


## 4. SWITCHING CABINET

---

Pos.Nr.	Article description	Article Nr.
1		0130013012
2	BOARD SUPPORT	ELE0062013
3		0130013014
4	power supply board LX2 220V24V/5V	SCH0007620
5	15A 250V ON/OFF UL/CSA BIPOLAR	ELE0002014
6	FUSES HOLDER	ELE0003507
7		1010100124
8	FILTER SOCKET 115/250V 10A	ELE0002315
9	TAPPING SCREW T.C.B. 3,5 x 6,5	VIT0002009
10	POWER LEAD 3 x 1 SOCKET AND SC	ELE0055008
11		0130013013
12	3.5 x 6.5 TCB SCREW	VIT0002002

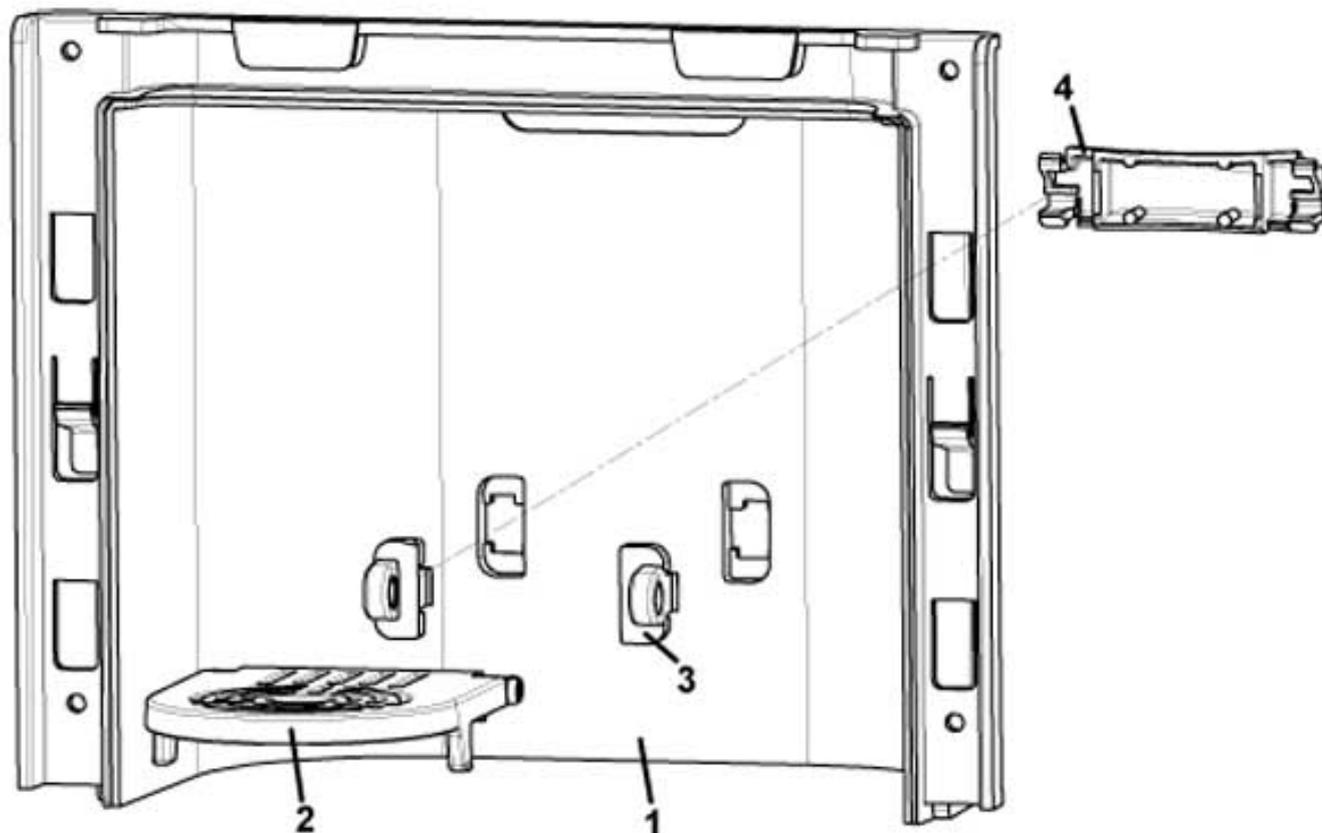
# 5. DOOR



**5. DOOR**

<b>Pos.Nr.</b>	<b>Article description</b>	<b>Article Nr.</b>
1		0020039006
1		0020039006CG
1		0020039006CM
2		0020039007CM
2		0020039007
2		0020039007CG
3	screw 3.5 x 16	VIT0002466
4	FLASH BOARD	SCH0005860
5	LED PCB CENTRAL XS GRANDE	SCH0008160
6	LED PCB LATERAL XS GRANDE	SCH0008120
7		0020039078
7		0020039078TR
8		SCH0009141
9		0020039043
10		0020039048
11		0020039537NA
11		0020039537
12		0020039071
13	MOUNTING PLATE, LOCK XX	0020037014
14	LOCK 154 BOX 5 DT mm 20 RAPID	SER0000020
15	closing hook BUSINESSTAR	0020037015
16		0020039075IC
16		0020039075
17	COVER DOOR XS GRANDE	0020039076NA
17		0020039076
18		0020039551NA
18		0020039551
19	SCREW TC 3.5 x 10 FOR PLASTIC	VIT0002469

## 6. CUPS STOP

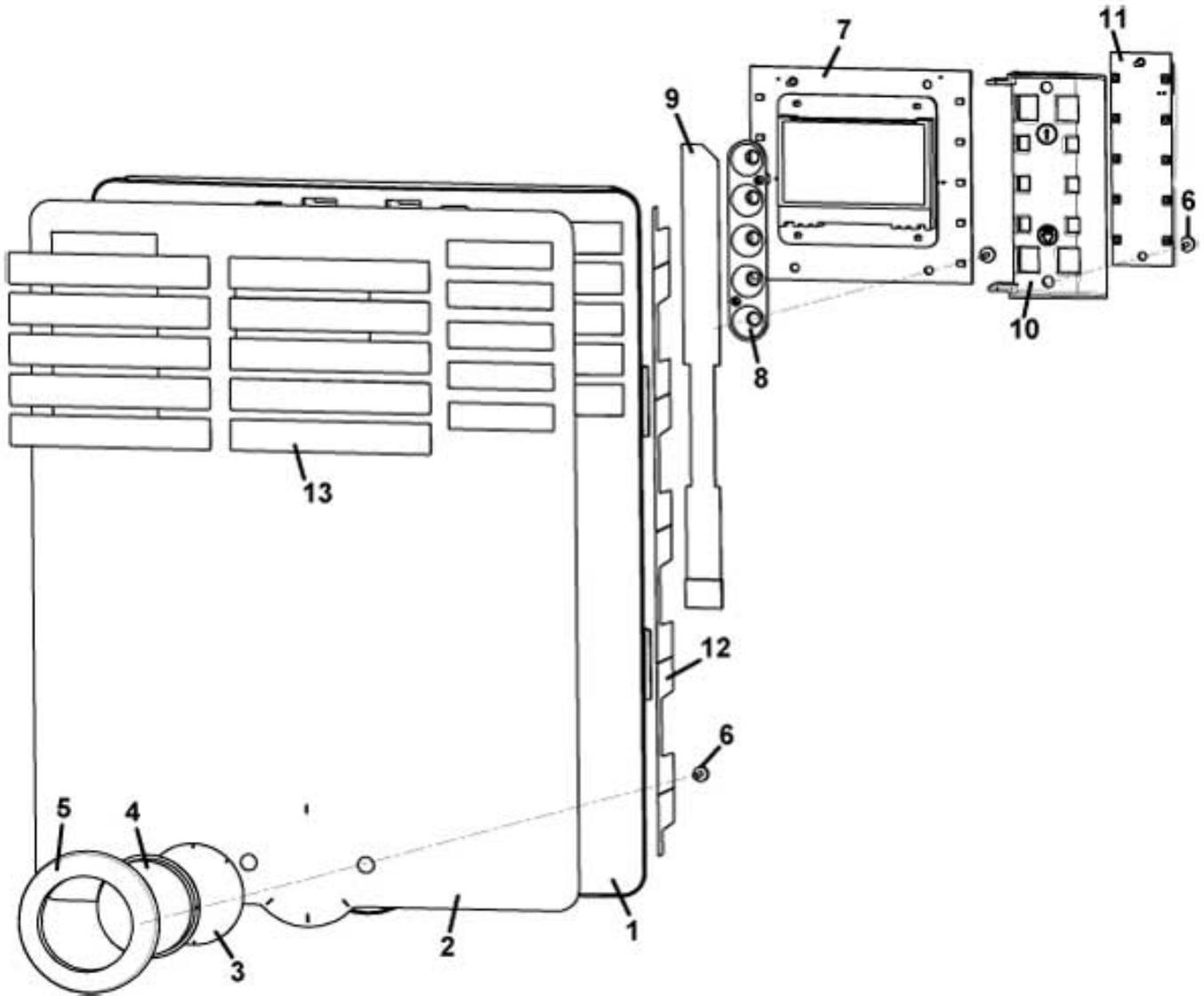


**6. CUPS STOP**

---

<b>Pos.Nr.</b>	<b>Article description</b>	<b>Article Nr.</b>
1		0020039071
1		0020039071CG
1		0020039071CM
1		0020039071NA
2		0020039072TR
2		0020039072NA
2		0020039072
3		0020039073
3		0020039073NA
4		0020039087
4		0020039087IC

# 7. LIGHTING GLASS

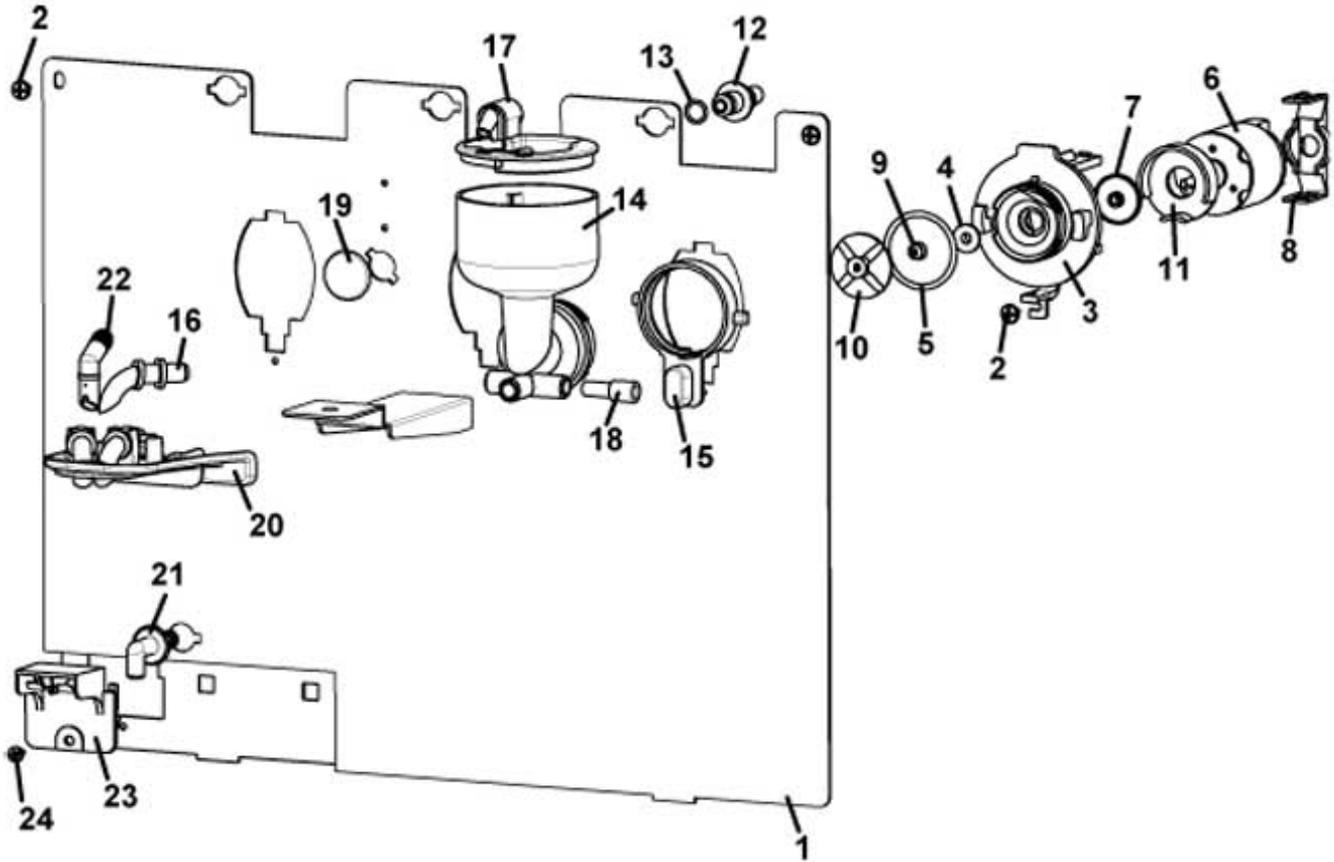


## 7. LIGHTING GLASS

---

Pos.Nr.	Article description	Article Nr.
1		0020039008
1		0020039008TR
3		0020039090
4		0020039085TR
4		0020039085
5		0020039084NA
5		0020039084XC
5		0020039084
6	SCREW TC 3.5 x 10 FOR PLASTIC	VIT0002469
7	DISPLAY CPL. XS GRANDE	SCH0008240CL
8		0020039079NA
8		0020039079
9	film keyboard	0020035640
10		0020039086
10		0020039086NA
11	LED PCB SELEC.KEYB. XS GRANDE	SCH0008220
12	FILTER LED BLUE XS GRANDE	0020039015PM
12	FILTER LED ORANGE XS GRANDE	0020039015ID
12		0020039015

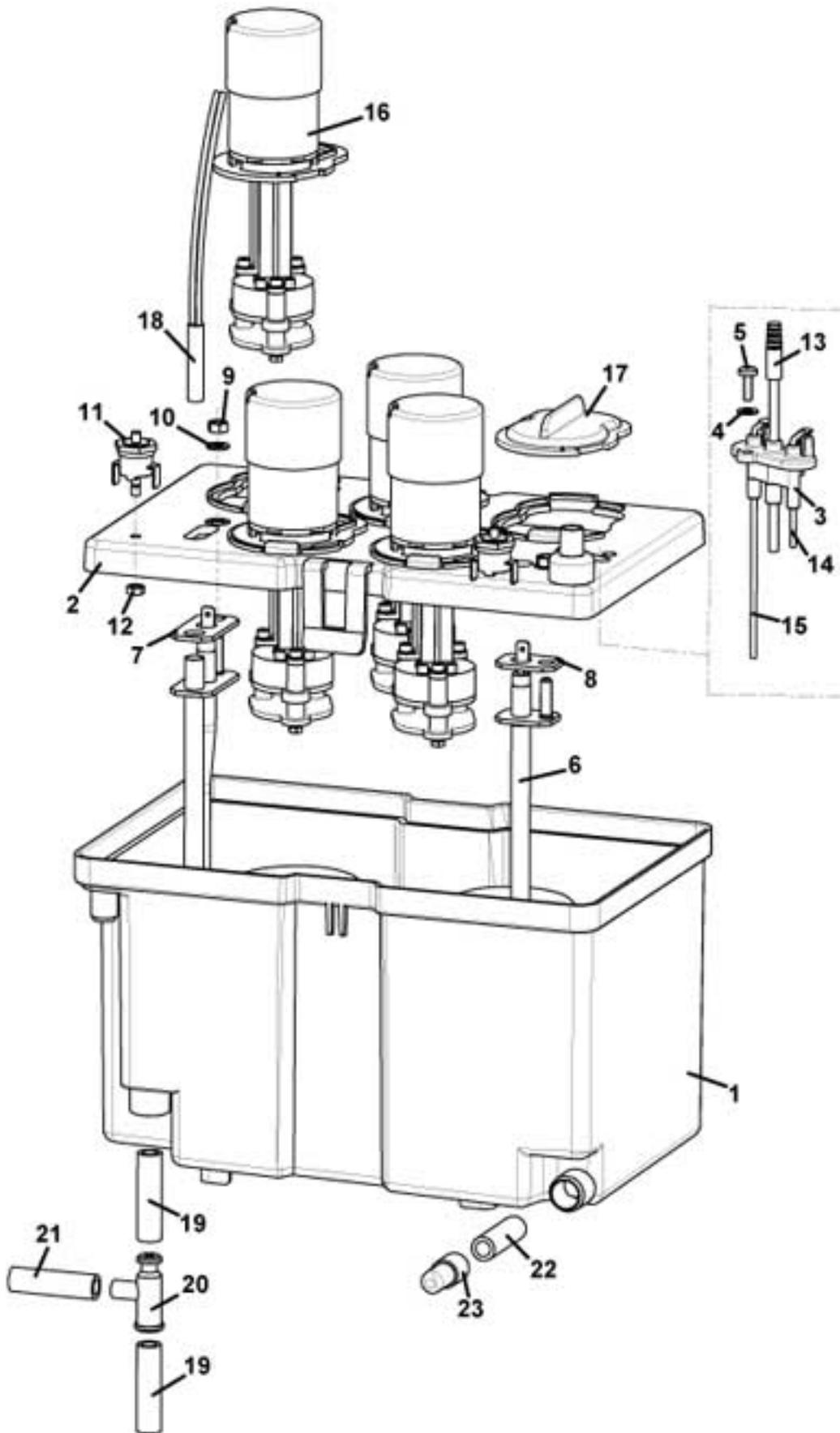
# 8. MIXER PLAN



## 8. MIXER PLAN

Pos.Nr.	Article description	Article Nr.
1		0080200002
1		0080200002NA
2	TAPPING SCREW TCB 3.5 x 9.5	VIT0002401
3	MIXER BASE	0080100005
4	MIXER BASE BUSH	0080100015
5	OR 3131	GUA0000084
6	24 V DC MIXER MOTOR SHAFT D.4	0090003023
7	DRIP TRAP FAN	0080100024
8	MOTOR HOUSING CONNECTION ORANG	0080100009
8		0080100009IC
9	MIXER SHAFT GASKET (V-RING)	0080100014
10	SMALL FAN MIXER SHAFT D.4 OVER	0080100011PL
10	SMALL FAN MIXER SHAFT D.4	0080100011
11		0080100023IC
11	MIXER COVER ORANGE RAL 2011	0080100023
12	SHORT MIXER INSERT	0080100043
13	SILICONE OR 106	GUA0000085
14	MIXER BODY NO INLET	0080100041
14	MIXER BODY NO INLET OVERSEAS B	0080100041PL
15	STOPPER RING ORANGE RAL 2011	0080100006
15		0080100006IC
16	INGREDIENT PIPE	0010020052
17	MIXER TRAP WITH INLET OVERSEAS	0080100042PL
17	MIXER TRAP WITH INLET	0080100042
18		0080100095
19		0080100035
19	PLUG FOR CONNECTION SEAT	0080100035NA
20		0020039529NA
20		0020039529
21	90° CONNECTION	0080100084
22		0020039533
23	waterlevel control for driptray cplt.	0010020836CL
24	TAPPING SCREW T.C.B. 3,5 x 6,5	VIT0002009

# 9. BOILER

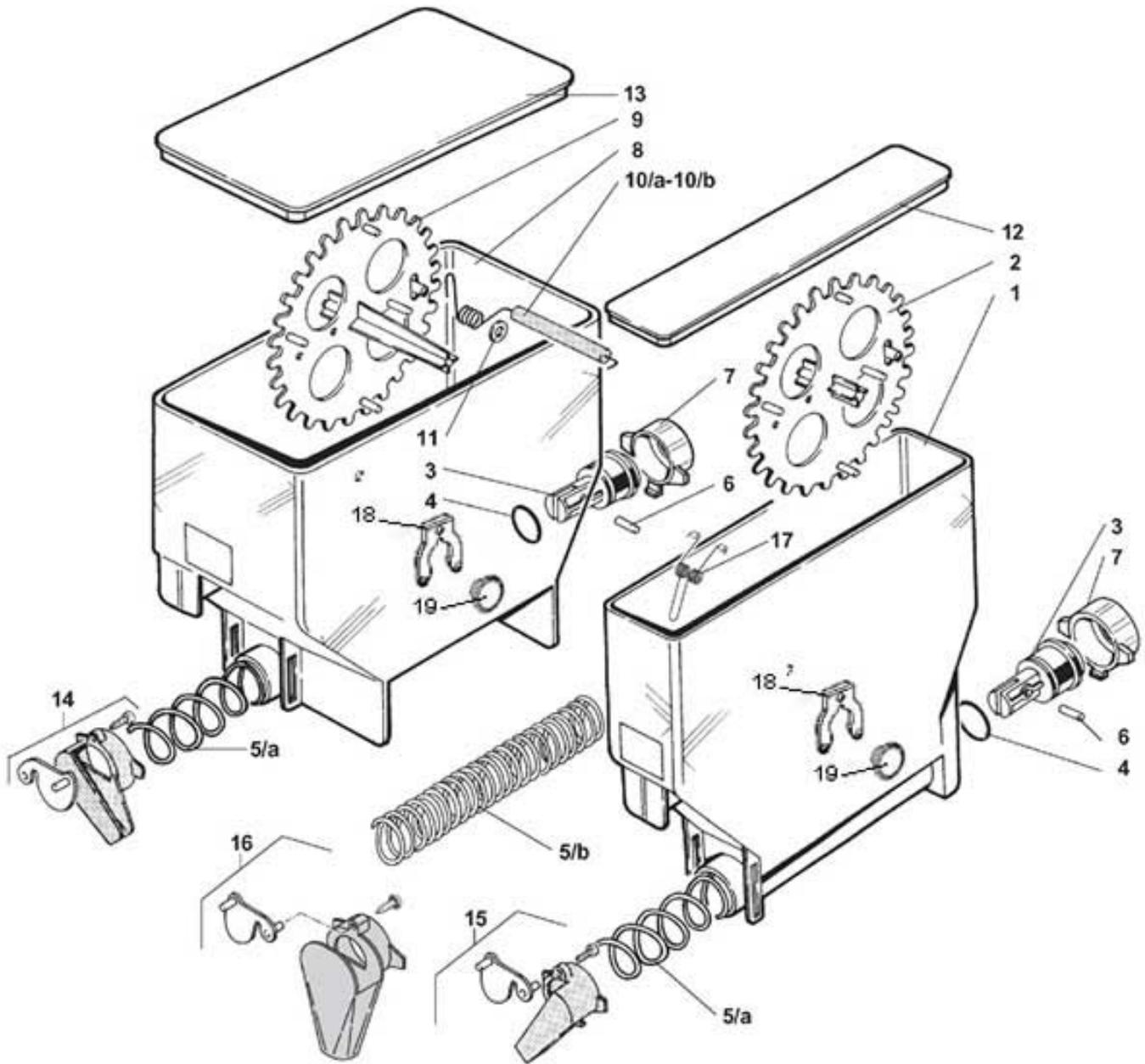


## 9. BOILER

---

Pos.Nr.	Article description	Article Nr.
1	BOILER TANK LUCE X2 NEW	0600014111
2		0600014106
3	PROBE SUPPORT	0600016059
4	STAINLESS STEEL FLAT WASHER D.	VIT0003211
5	SCREW T.C.B. M 4 x 12	VIT0001005
6	heating element SM 1650W LUCE X2	0600014107
7	gasket for heating element SM 1650W LUCE X2	0600014113
8	gasket for heating element SM 1650W LUCE X2	0600014114
9	STAINLESS STEEL NUT M5	VIT0004804
10	STAINLESS STEEL FLAT WASHER D.	VIT0003203
11	MANUAL RESET THERMOSTAT 88°C	ELE0000965
12	STAINLESS STEEL NUT M4	VIT0004816
13	PRIMA SOLUBLE PROBE	ELE0000963R
14	MAX WATER LEVEL PROBE	0600016054
15	MIN. WATER LEVEL PROBE	0600016053
16	BOILER PUMP	0600016405R
17	ABDECKUNG PUMPENSITZ	0600016422
18	121° FUSE ASSEMBLED	ELE0003026CL
19	TRANSPARENT SILICONE PIPE D.7	TSIL07/11T
20	BOILER T	0600016028
21	TRANSPARENT SILICONE PIPE D.5	TSIL05/08T
22	TRANSPARENT SILICONE PIPE D.10	TSIL10/14T
23	BOILER DISCHARGE PLUG	650001057

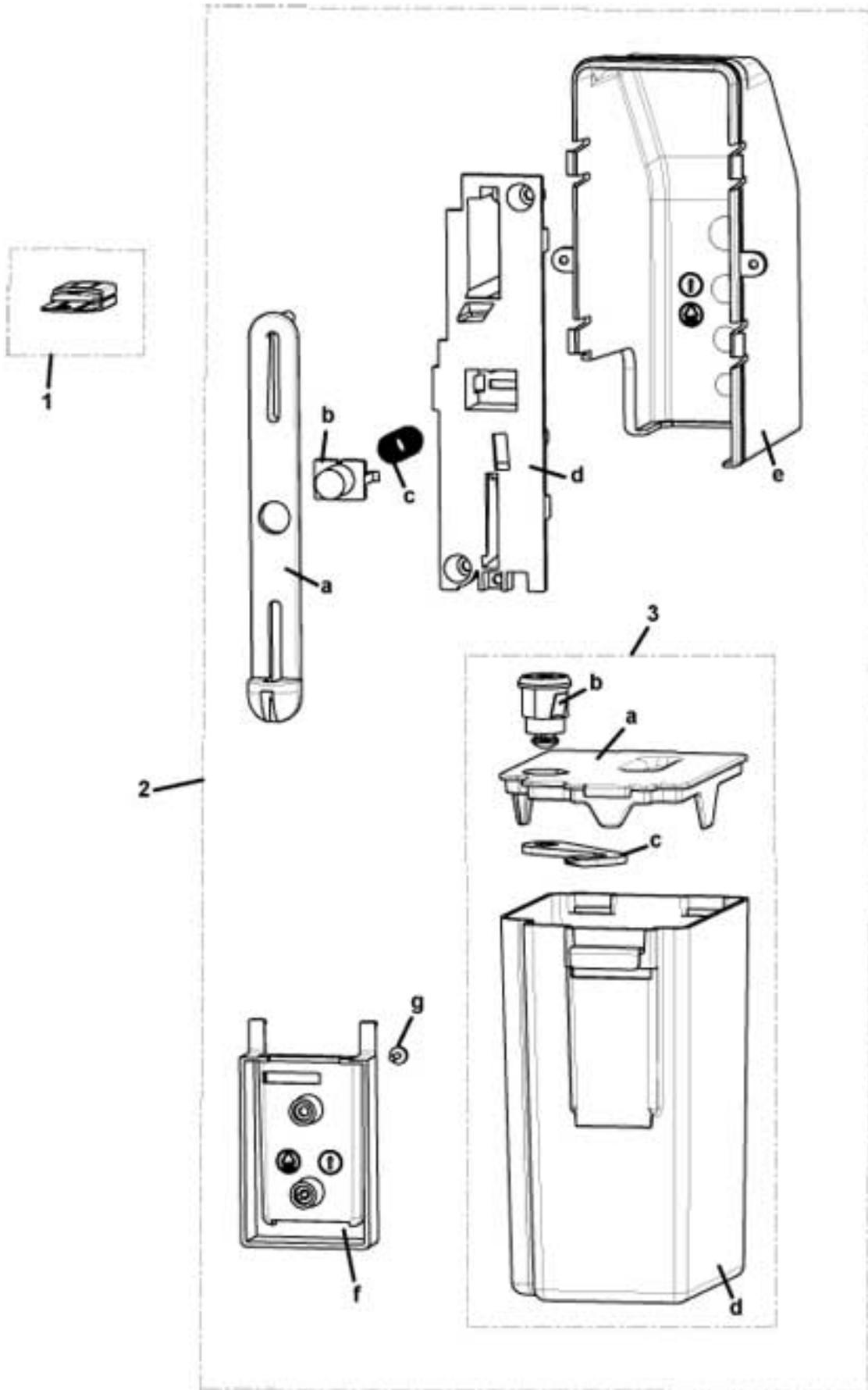
# 10. PRODUCTS CONTAINER



## 10. PRODUCTS CONTAINER

Pos.Nr.	Article description	Article Nr.
1	product container narrow 112mm XS/XX	0230030500R
2	MIXER GEAR	0230030236
3	WORM SCREW PIN	0230030012
4	OR 123	GUA0000083
5a	WORM SCREW P.18	0230030014
5b	WORM SCREW P. 9	0230030013
6	ELASTIC PIN D.2 x 14	VIT0005301
7	REAR BUSH	0230030011
8	product container wide 112mm XS/XX	0230030520R
9	MIXER GEAR mm.110	0230030237
10	INGREDIENT MIXER 112 mm. R.H.	0230030041
10	INGREDIENT MIXER 112 mm. L.H.	0230030042
11	STAINLESS STEEL FLAT WASHER D.	VIT0003210
12	CONTAINER COVER 54 mm. From se	0230030156
13	CONTAINER COVER 110 mm. From s	0230030158
14	product slide right cplt.	0230030058R
14	RIGHT CONVEYOR INGREDIENT	0230030044R
15	LEFT CONVEYOR INGREDIENT	0230030043R
15	product slide left cplt.	0230030057R
16	product slide straight cplt	0230030059R
17	INGREDIENT MIXER product container Choco XX	0230030052
18	GEAR PIN FORK	0230030239
19	PIN ROTATION GEAR	0230030238
100	products container cplt. wide 18er from cw45/08	0230030522R
101	products container cplt. wide 18er from cw45/08	0230030525R
102	product container narrow 18er XS 45/08	0230030506R
103	product container narrow 9er XS 45/08	0230030502R

# 11. OPTIONAL COIN ACCEPTOR KIT

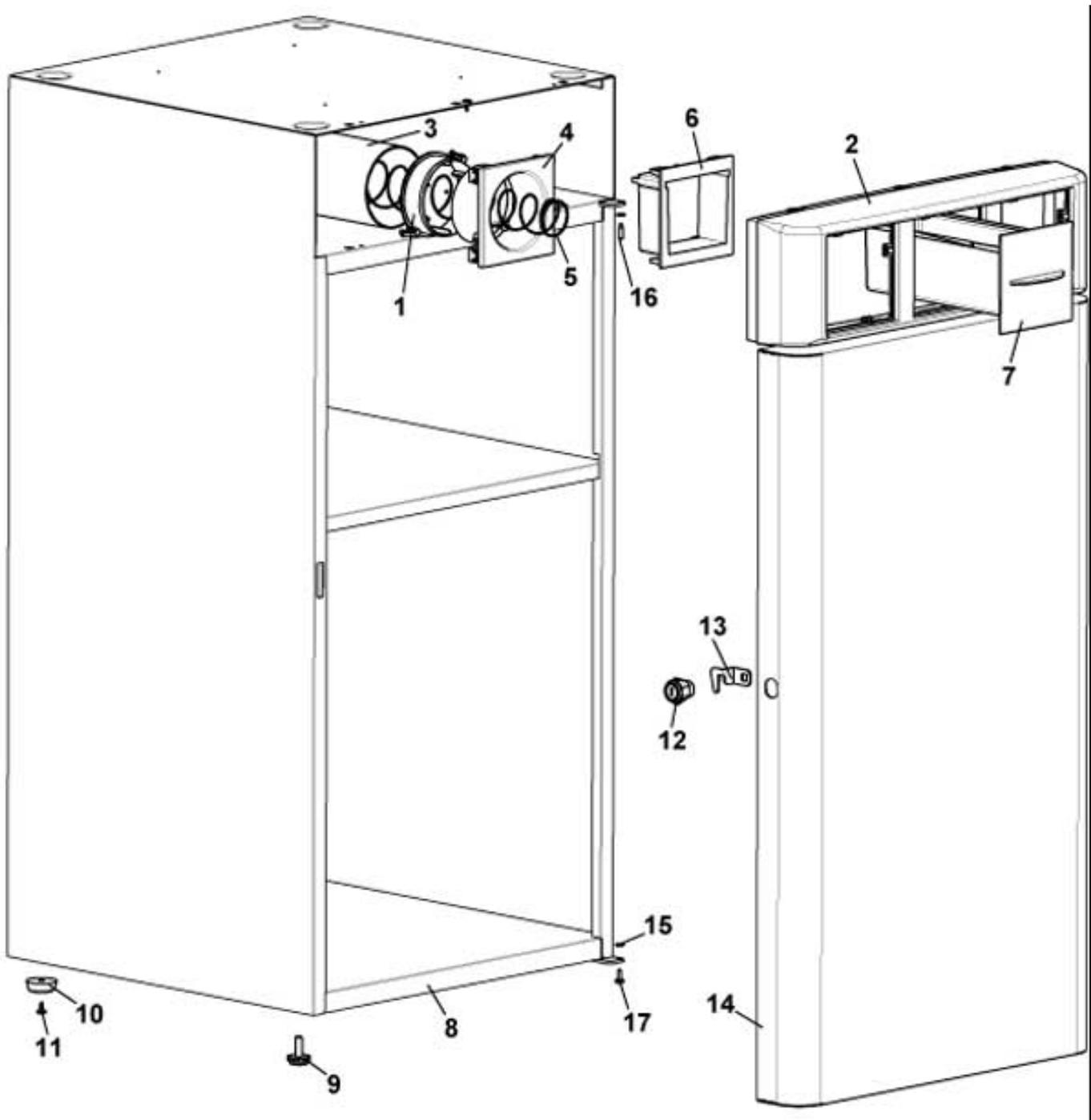


## 11. OPTIONAL COIN ACCEPTOR KIT

---

Pos.Nr.	Article description	Article Nr.
1	FLASH CARD 1 MB	0020040310CL
2		D2109600A0000
2a	BLACK COIN BOX TAB	0020035031NA
2a		0020035031KB
2a		0020035031EC
2a	cover coin input	0020035031CM
2a		0020035031CG
2a		0020035031CF
2a		0020035031
2b		0020035033NA
2b	DARK-RED COIN RETURN BUTTON 30	0020035033KB
2b	RED COIN RETURN BUTTON 3020	0020035033KA
2b		0020035033EC
2b	COIN RETURN BUTTON SILVER	0020035033CM
2b		0020035033
2c	COIN RETURN BUTTON SPRING	0020035034
2d	COIN BOX SUPPORT	0020035032NA
2d		
2e		0020039510
2e		0020039510IC
2e		0020039510NA
2f		0020039528
2f		0020039528IC
2f		0020039528NA
2g	TAPPING SCREW TCB 3.5 x 12	VIT0002452
3		0020039525R
3a		0020039527
3a		0020039527NA
3b	154 RAPID BOX LOCK *	SER0000015
3c	COIN BOX HOOK	0020037128
3d		0020039526
3d		0020039526NA

# 12. BASE CABINET



## 12. BASE CABINET

---

Pos.Nr.	Article description	Article Nr.
1	CUP TUBE SUPPORT	0010020324
2		0010024754
3		0010024764
4		0010027147CM
4		0010027147
5	CUP PUSHING SPRING	0010020334
6		0010027143
7		0010027144
8		0010024755
8		0010024755NA
9		VIT0010504
10		0010005016
11	TAPPING SCREW TCB 3.5 x 9.5	VIT0002401
12	locking cylinder Nr.3400	SER0000026
13	closing hook BUSINESSSTAR	0020037015
14		0010024752NA
14		0010024752KA
14		0010024752
15	WASHER D.8 x 4.3 x 0.8	VIT0003003
16	DOOR HINGE UPPER PIN	0010020313
17	SCREW TE M4x10	VIT0000205









Your Service and Consulting Partner