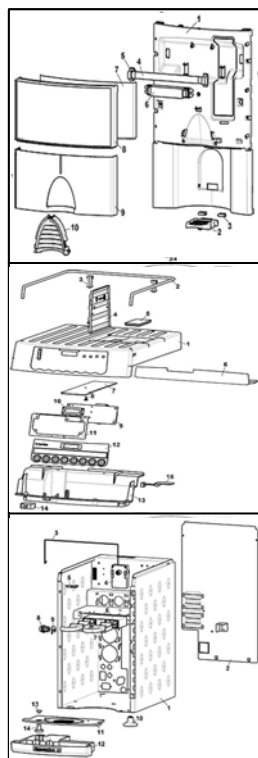


○ barista

xx pressobean



Spare Parts Book
Rev. 1 - 05/2006

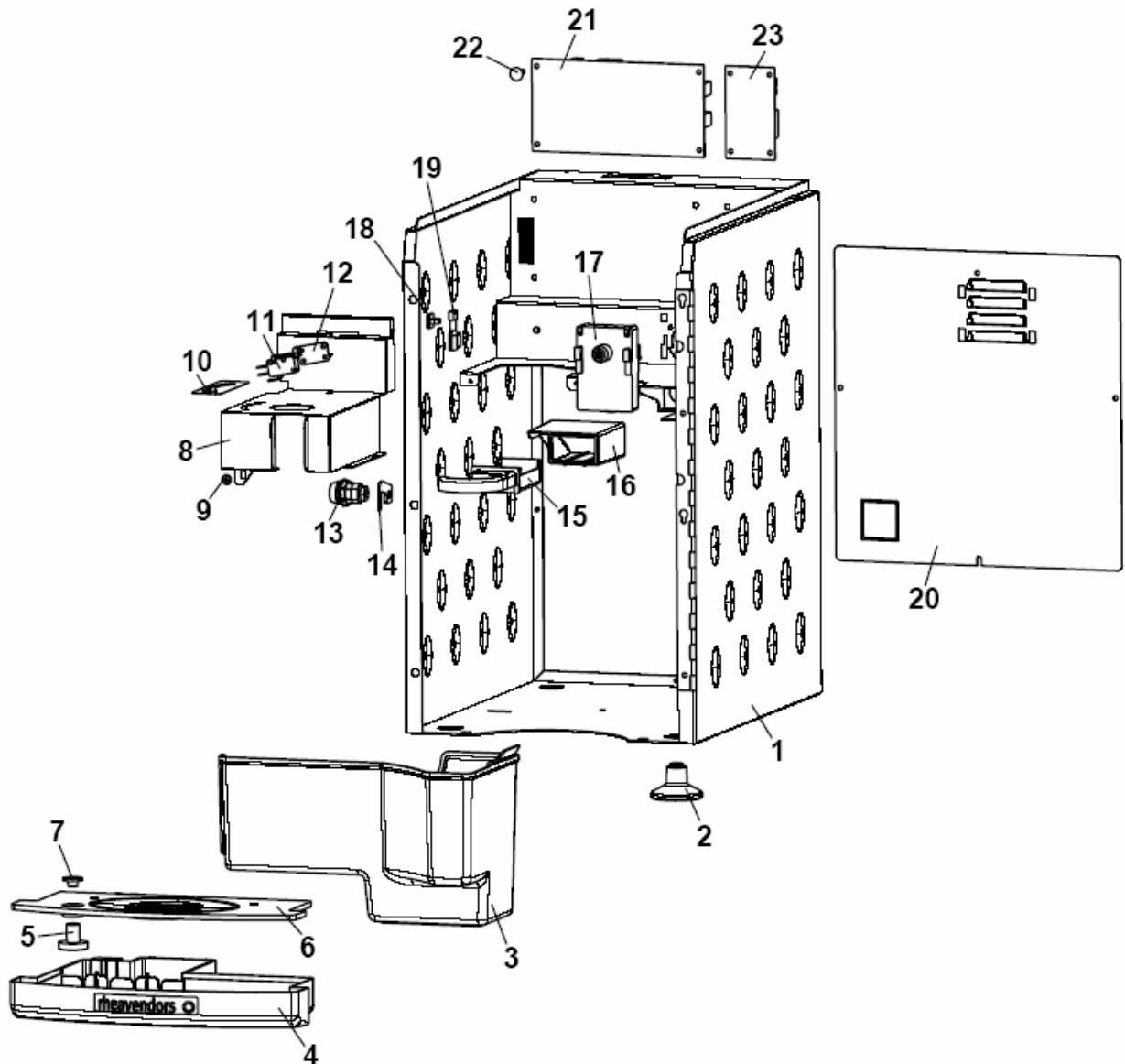
Table of Contents

Chapter	Module		Page
1	Front of Housing	Exploded view	3
		Part numbers	4
2	Rear Service Door	Exploded view	5
		Part numbers	6
3	Top Cover	Exploded view	7
		Part numbers	8
4	Door	Exploded view	9
		Part numbers	10
5	Preparation area	Exploded view	11
		Part numbers	12
6	Mixing Bowl / Dispense	Exploded view	13
		Part numbers	14
7	Product Container	Exploded view	15
		Part numbers	16
8	Water tank	Exploded view	17
		Part numbers	18
9	Coffee bean container	Exploded view	19
		Part numbers	20
10	Grinder	Exploded view	21
		Part numbers	22
11	Brewer motor	Exploded view	23
		Part numbers	24
12	Micro Brewer	Exploded view	25/27
		Part numbers	26/28
13	Boiler Group	Exploded view	29/31
		Part numbers	30/32
14	Boiler	Exploded view	33
		Part numbers	34
15	Header tank	Exploded view	35/37
		Part numbers	36/38
16	Flash-Heater	Exploded view	39
		Part numbers	40
17	Control Electronics	Exploded view	41
		Part numbers	42

1. Front of Housing

1.1

Exploded View



1. Front of Housing

1.2

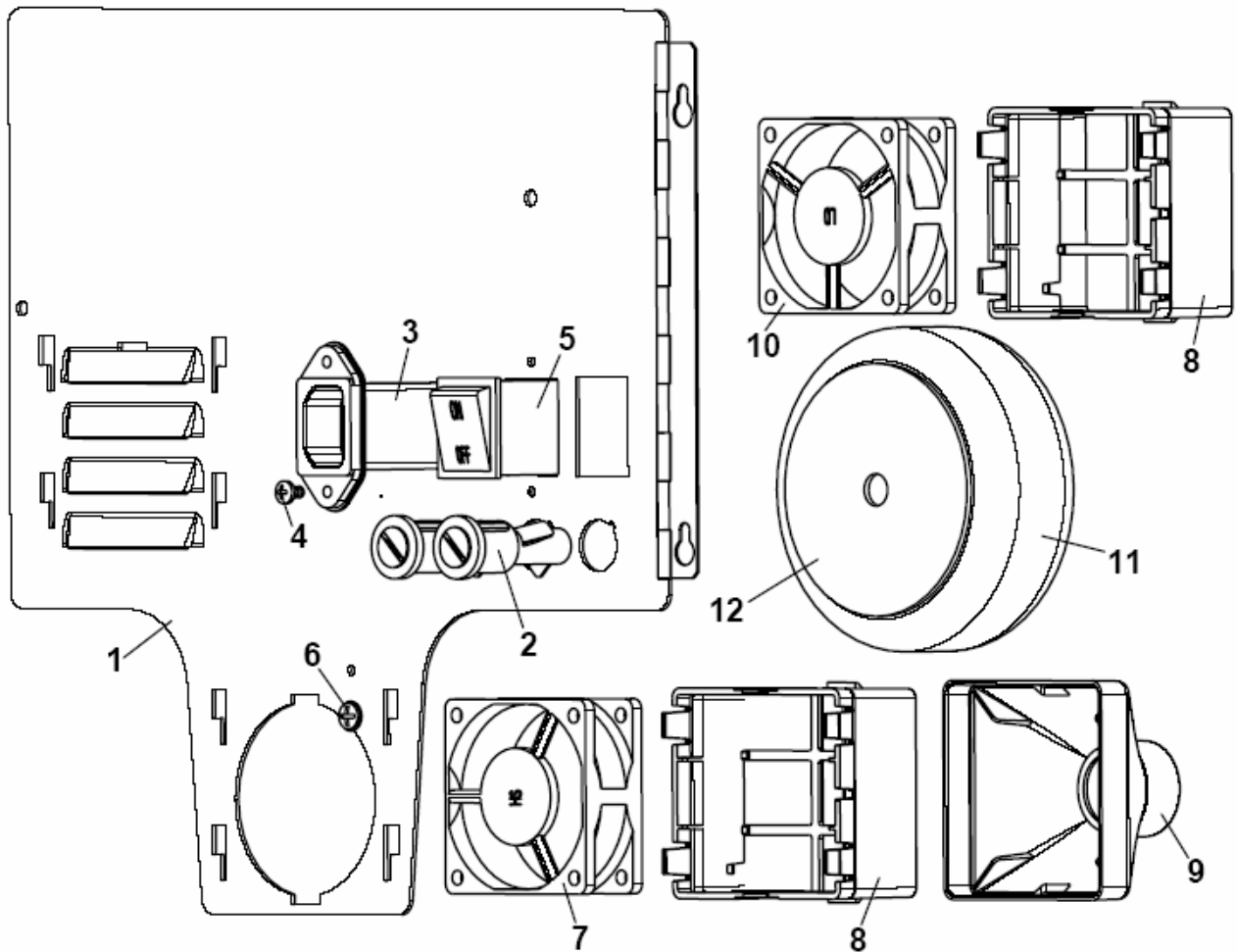
Parts

Position ref.	Part Description	Part Number
1	Body silver	0010027605CM
2	Feet	0010027326
3	Grounds bin	0010027229
4	Drip tray	0020037116
5	Drip tray indicator Float (lower)	0020037046
6	Drip tray cover (silver)	0020037117XC
7	Drip tray indicator Float (upper)	0020037045
8	Grinder Cover	0010027248
9	Screw 3,5 x 9,5	VIT0002401
10	Warning Label	0010027249
11	Microswitch 16A 250V	ELE0001522
12	Microswitch Shim	4600010014
13	Lock barrel complete with key	SER0000024
14	Lock catch	0020035615
15	Steam extraction tray	0010027022
16	Steam extraction channel	0010027214
17	Product motor	0090002113
18	Mounting Plate door switch key	ELE0062253
19	Door switch key	0270011109CL
20	Rear panel silver	0010027629CM
21	CPU	See Page 41/42
22	PCB standoff	ELE0062013
23	PB expansion board	See Page 41/42

2. Rear Service Door

2.1

Exploded View



2. Rear Service Door

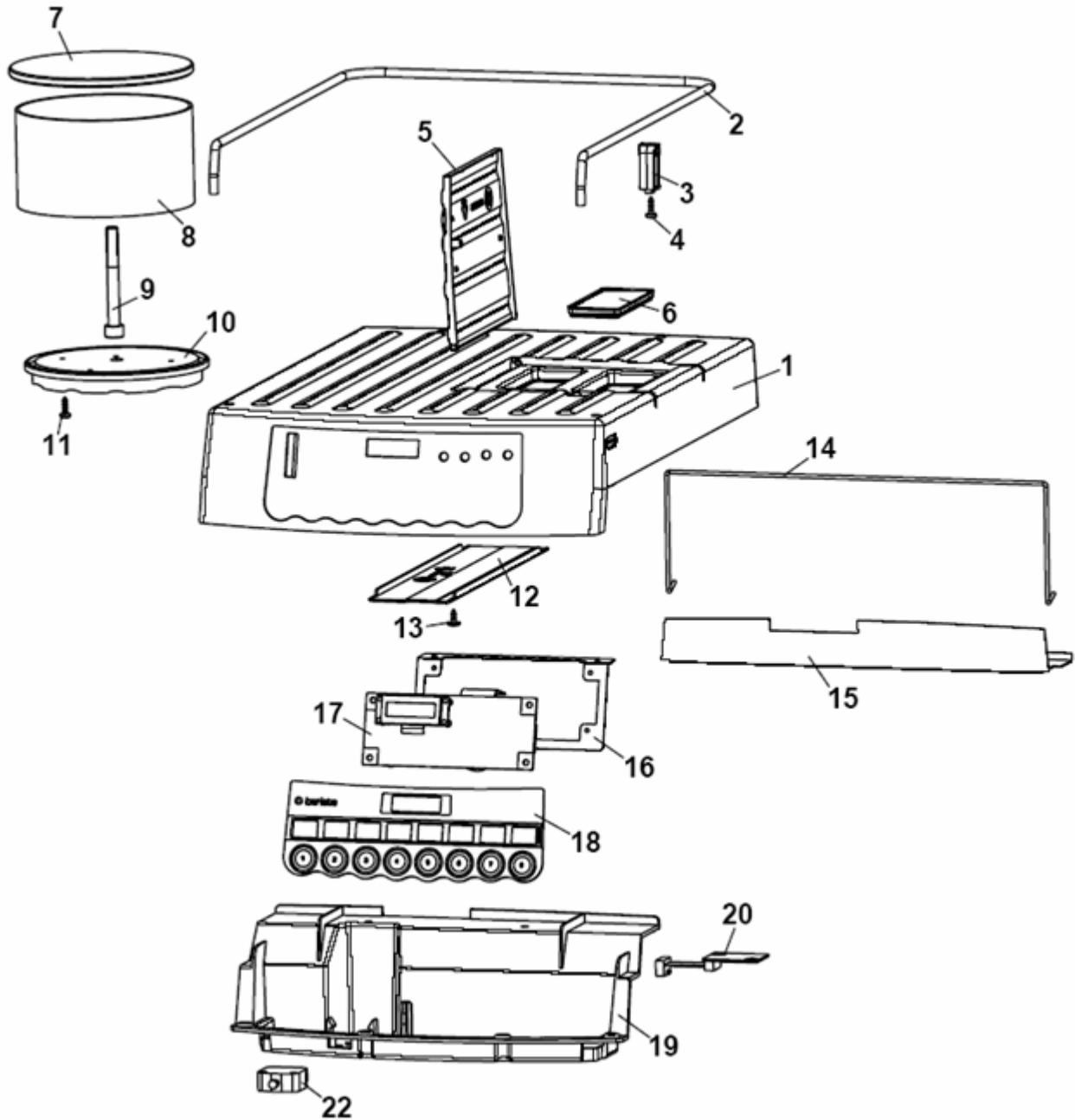
2.2**Parts**

Position ref.	Part Description	Part Number
1	Service Door silver	0010027625CM
2	12A fuse and holder	ELE0003508CL
3	Mains socket 250V 10A	ELE0002315
4	Screw 3,5 x 6,5	VIT0002009
5	Mains switch 250V 15A	ELE0002014
6	Screw 3,5 x 9,5	VIT0002401
7	Fan 24VDC 0,15A AD0624HS	ELE0000461
8	Fan Housing	0010027064
9	Fan duct adaptor	0010027065
10	Fan 24VDC 0,05A AD0624LS	ELE0000462
11	Transformer	ELE0000565
12	Retaining plate	0010027319

3. Top Cover

3.1

Exploded View



3. Top Cover

3.2

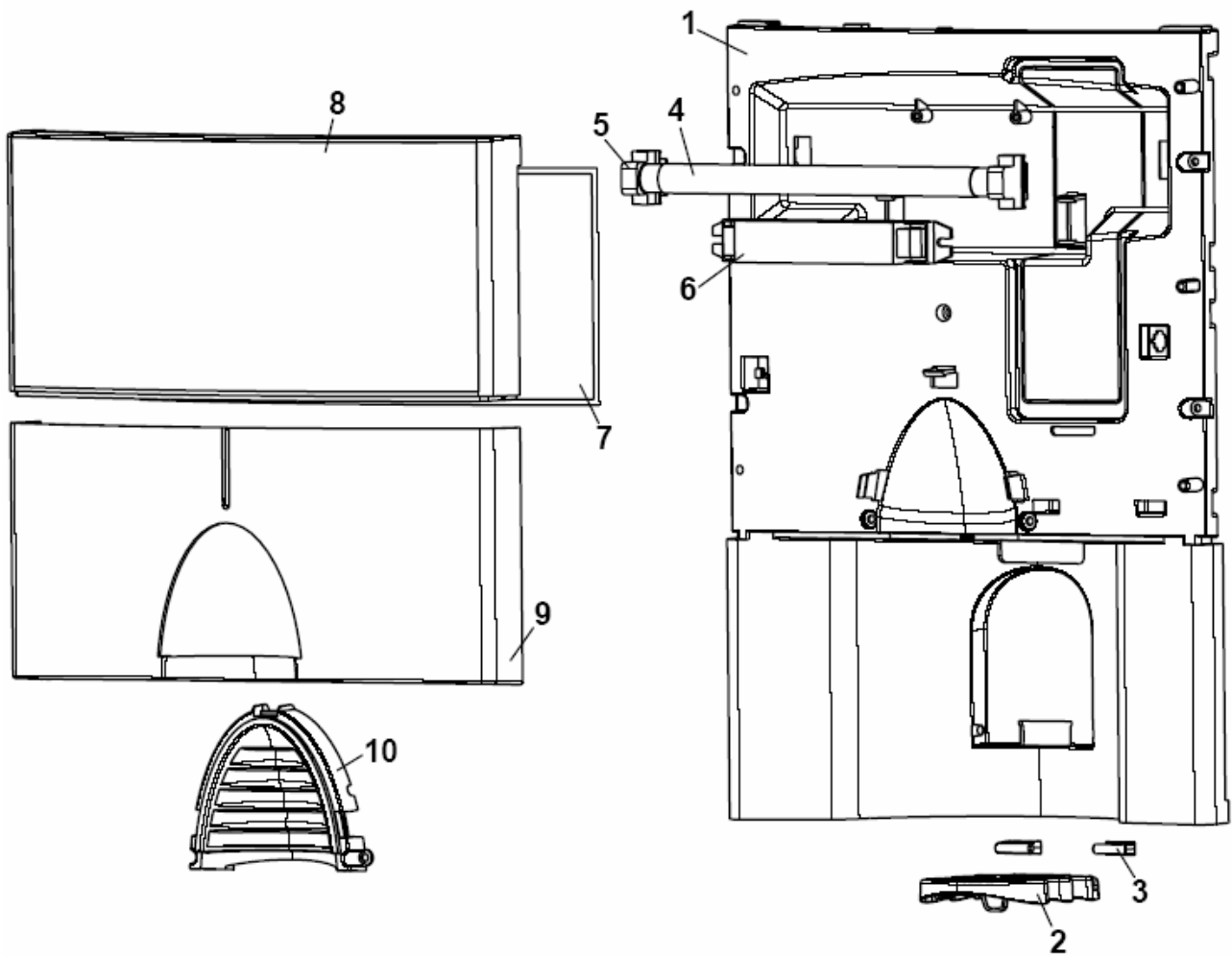
Parts

Pos.-Nr.	Part Description	Parts-Nr.
1	Top Cover silver	0010027251CM
2	Cup rail	0010027271
3	Cup rail support	0010027272
4	Screw 3,5 x 10	VIT0002469
5	Cover water fill silver	0010027252CM
6	Blanking plate	0010027259
7	Dummy Bean Hopper cover	0010020671
8	Dummy Bean Hopper container	0010020673
9	Screw M 8 x 70	VIT0000244
10	Base dummy bean hopper	0010027264
11	Screw 3,5 x 10	VIT0002469
12	Cable cover	0010027274
13	Screw 3,5 x 9,5	VIT0002401
14	Hinge stop	0010027262
15	Hinge	0010027260
16	Display support plate	0010027268
17	Display board	See Page 41/42
18	Selection panel and keypad	0010027255
19	Inner lid cover	0010027253
20	Interface Flash Card Slot	See Page 41/42
22	Door switch 250V 16A	ELE0002019
	Dummy bean hopper Assy. (Pos. 7-11)	0010027265CL

4. Door

4.1

Exploded View



4. Door

4.2

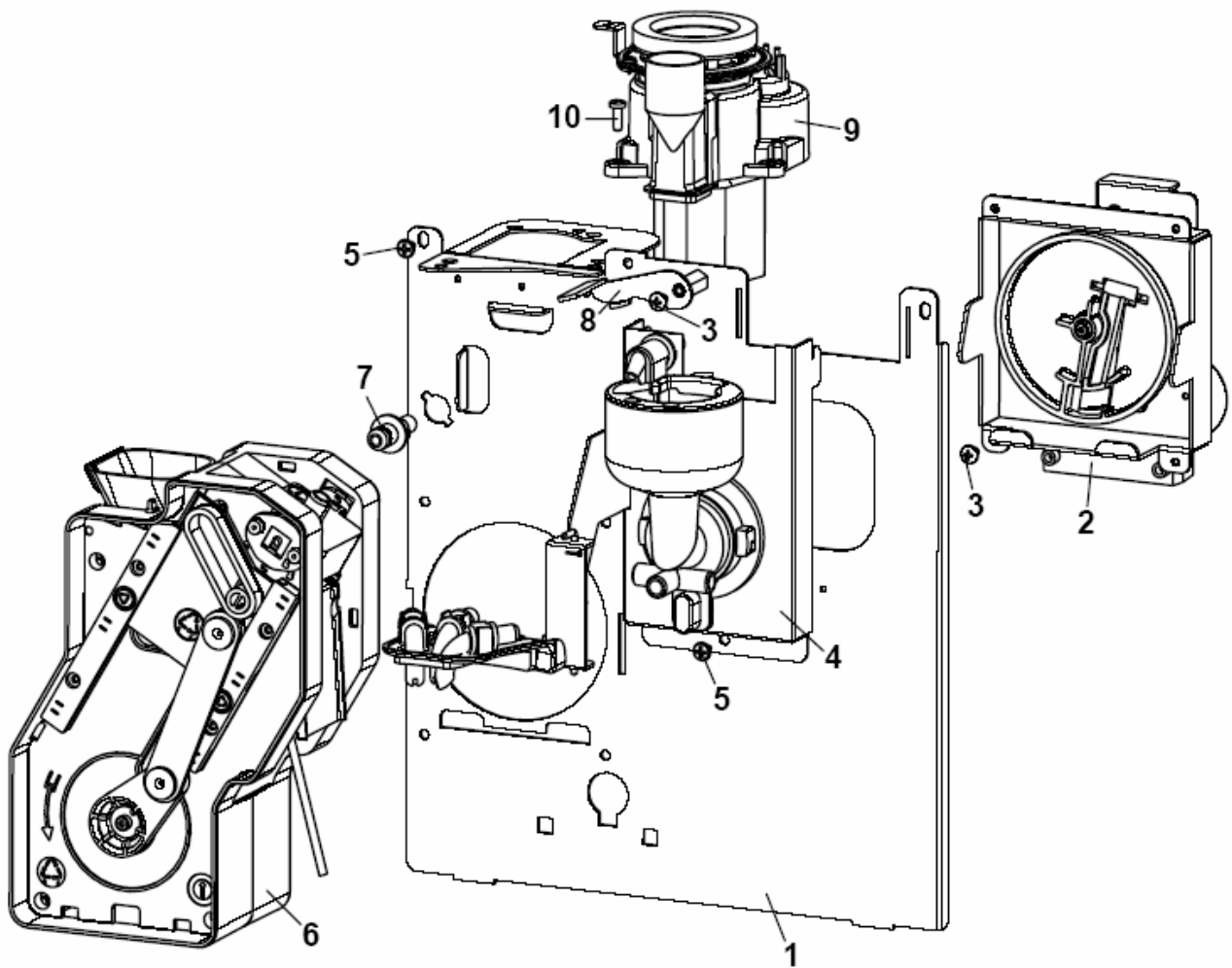
Parts

Pos.-Nr.	Part Description	Parts-Nr.
1	Door	0020037102CM
2	Cup table	0020037122
3	Clip Cup table	0020037124
4	Fluorescent tube 6W 210 mm	ELE0009029
5	Fluorescent tube holder	ELE0009121
6	Ballast 220V 6-8W	ELE0009126
7	Barista sign Orange	0020037161
8	Door cover upper transparent	0020037106
9	Door cover lower silver	0020037107CM
10	Clear panel with LED's - complete	0020037104CL1

5. Preparation area

5.1

Exploded View



5. Preparation area

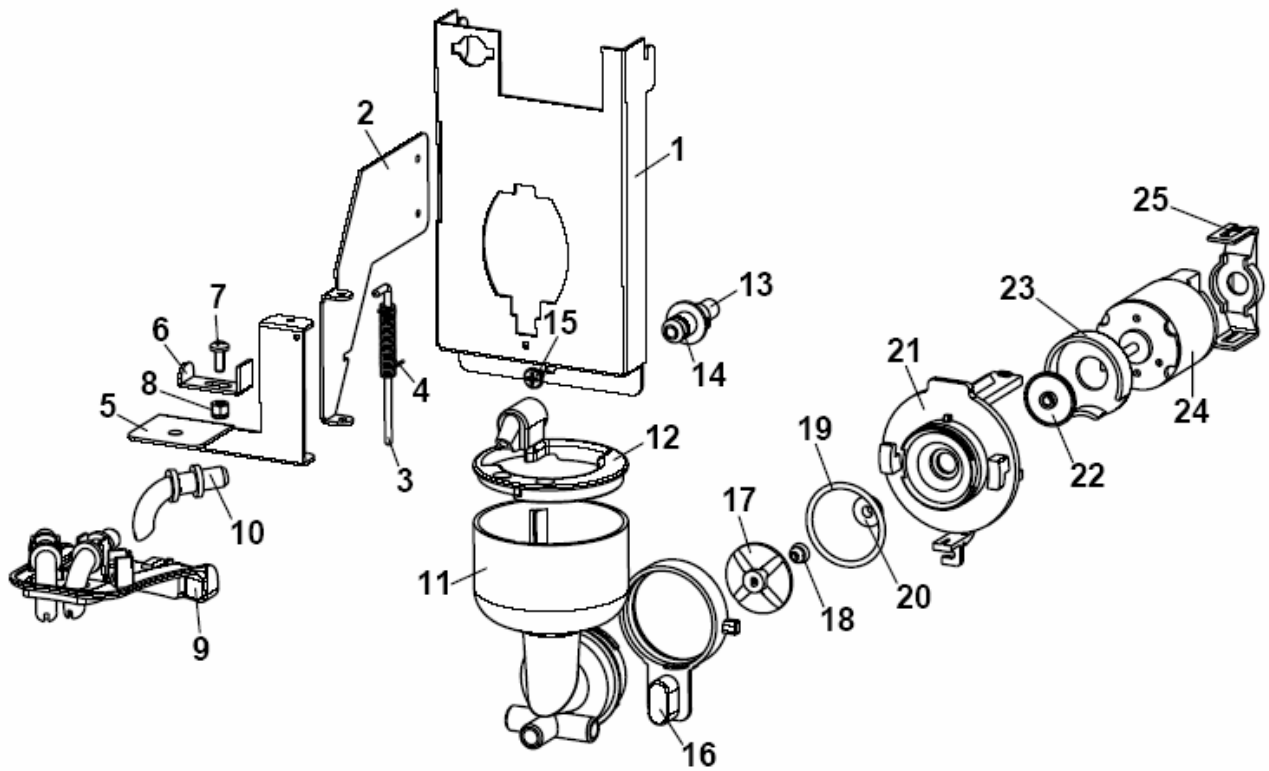
5.2**Parts**

Pos.-Nr.	Part Description	Parts-Nr.
1	Support Plate	0010027215
2	Brewer motor	See Page 23/24
3	Screw M 4 x 7	VIT0000030
4	Mixing Bowl	See Page 13/14
5	Screw 3,5 x 9,5	VIT0002401
6	Micro Brewer	See Page 25 - 28
7	Water outlet	0080100043
8	Locking Latch	0010027226
9	Grinder	See Page 21/22
10	Screw M 4 x 12	VIT0000013

6. Mixing Bowl / Dispense

6.1

Exploded View



6. Mixing Bowl / Dispense

6.2

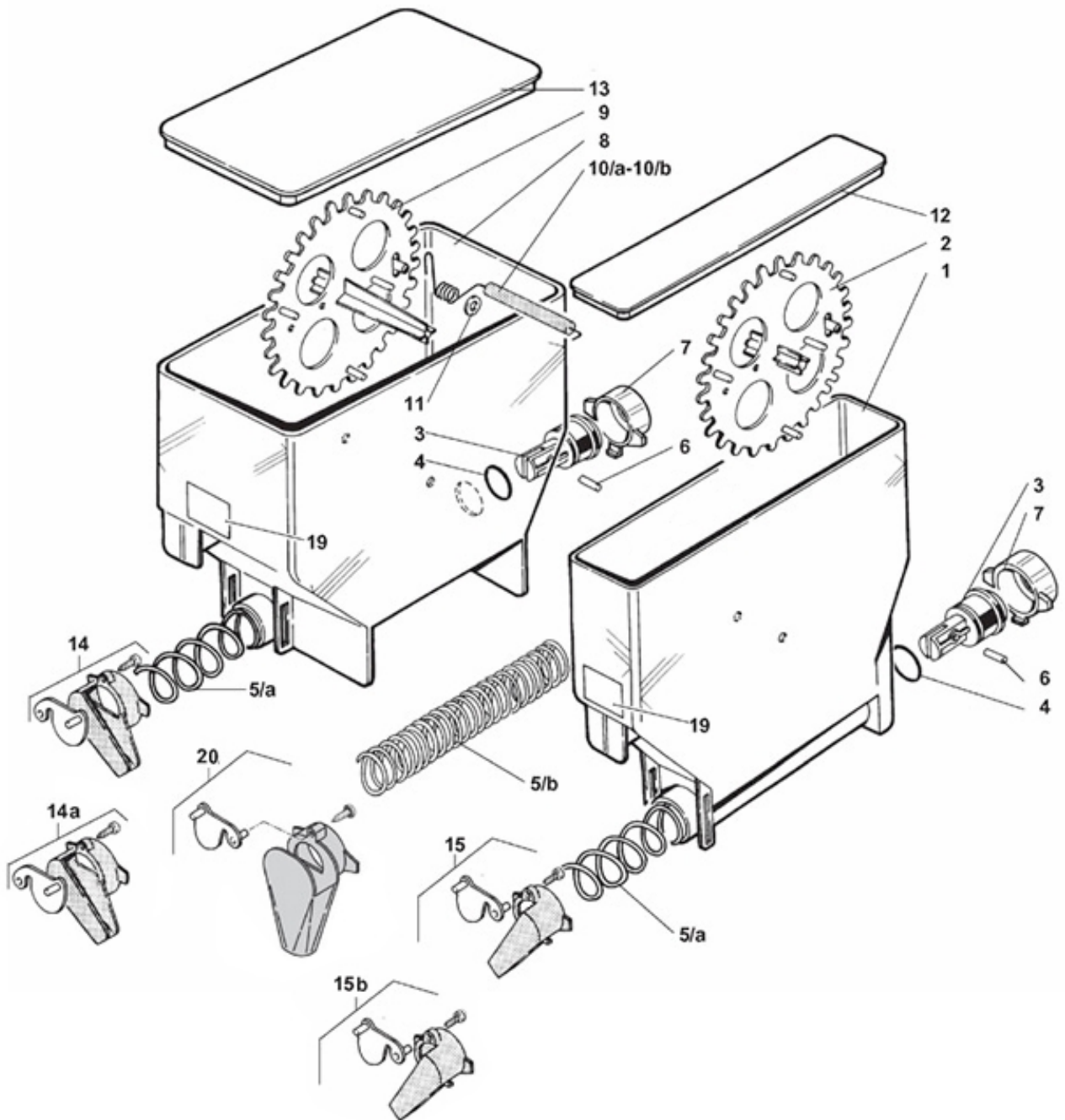
Parts

Pos.-Nr.	Part Description	Parts-Nr.
1	Support Plate Mixer motor	0010027215
2	Support Plate Drink dispense	0010027246
3	Pin	0010020137
4	Spring	0010020138
5	Support bracket Drink dispense	0010027247
6	Locking plate Drink dispense	0010020737
7	Screw M 4 x 10	VIT0000038
8	Nut M 4 Self locking	VIT0004810
9	Mounting Plate Drink dispense	0020037123NA
10	Drink dispense outlet	0010020052
11	Mixing Bowl blue	0080100041PL
12	Mixing Bowl Steam cover blue	0080100042PL
13	Mixing Bowl Water inlet socket	0080100043
14	O-Ring water inlet Mixing Bowl	GUA0000085
15	Screw 3,5 x 9,5	VIT0002401
16	Locking catch Mixing Bowl	0080100006
17	Mixer wheel Blue	0080100011PL
18	V-Ring Mixer motor	0080100014
19	O-Ring Mixer flange	GUA0000084
20	Bush Mixer flange	0080100015
21	Mixer flange	0080100005
22	Disk	0080100024
23	Mixer motor Spray shield	0080100023
24	Mixer motor 24V DC	0090003023
25	Mounting Plate Mixer motor	0080100009
*	Mixer motor complete assembly	0080100001R

7. Product Container

7.1

Exploded View



7. Product Container

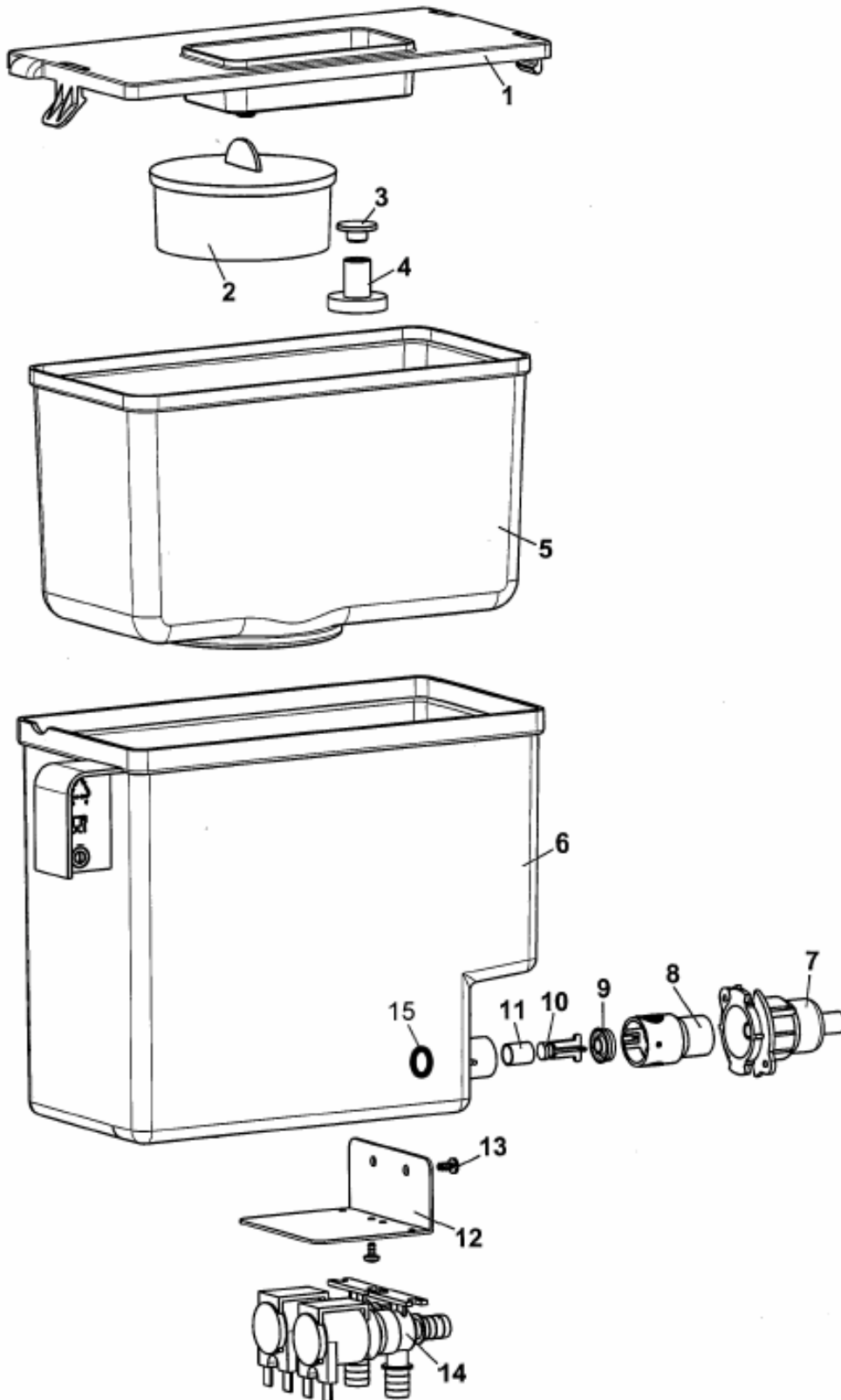
7.2

Parts

Pos.-Nr.	Part Description	Parts-Nr.
1	Product Container narrow 55 mm	0230030005
2	Stirring wheel Product Container narrow	0230030016
3	Worm coupling	0230030012
4	O – Ring 123	GUA0000083
5a	Worm long 18mm pitch	0230030014
5b	Worm short 9mm pitch	0230030013
6	pin 2 x 14	VIT0005301
7	Coupling cover	0230030011
8	Product Container wide 112 mm	0230030008
9	Stirring wheel Product Container wide	0230030015
10a	Clearing spring Product Container wide right	0230030041
10b	Clearing spring Product Container wide left	0230030042
11	Washer 8,4 x 14 x 1,6	VIT0003210
12	Lid Product Container narrow	0230030156
13	Lid Product Container wide	0230030158
14	Product chute right	0230030017R
14a	Product chute right high outlet	0230030044R
15	Product chute left	0230030018R
15a	Product chute left high outlet	0230030043R
19	Product label "Sugar"	1010150001
19	Product label "Coffee"	1010150002
19	Product label "Milk"	1010150003
19	Product label "Tea"	1010150004
19	Product label "Soup"	1010150005
19	Product label "Chocolate"	1010150006
20	Product chute straight	0230030019R
*	Product Container complete narrow 18mm	0230030005R
*	Product Container complete narrow 9mm	0230030006R
*	Product Container complete wide 18mm right	0230030007R
*	Product Container complete wide 18mm left	0230030009R

8. Water tank

8.1 Exploded View



8. Water tank

8.2

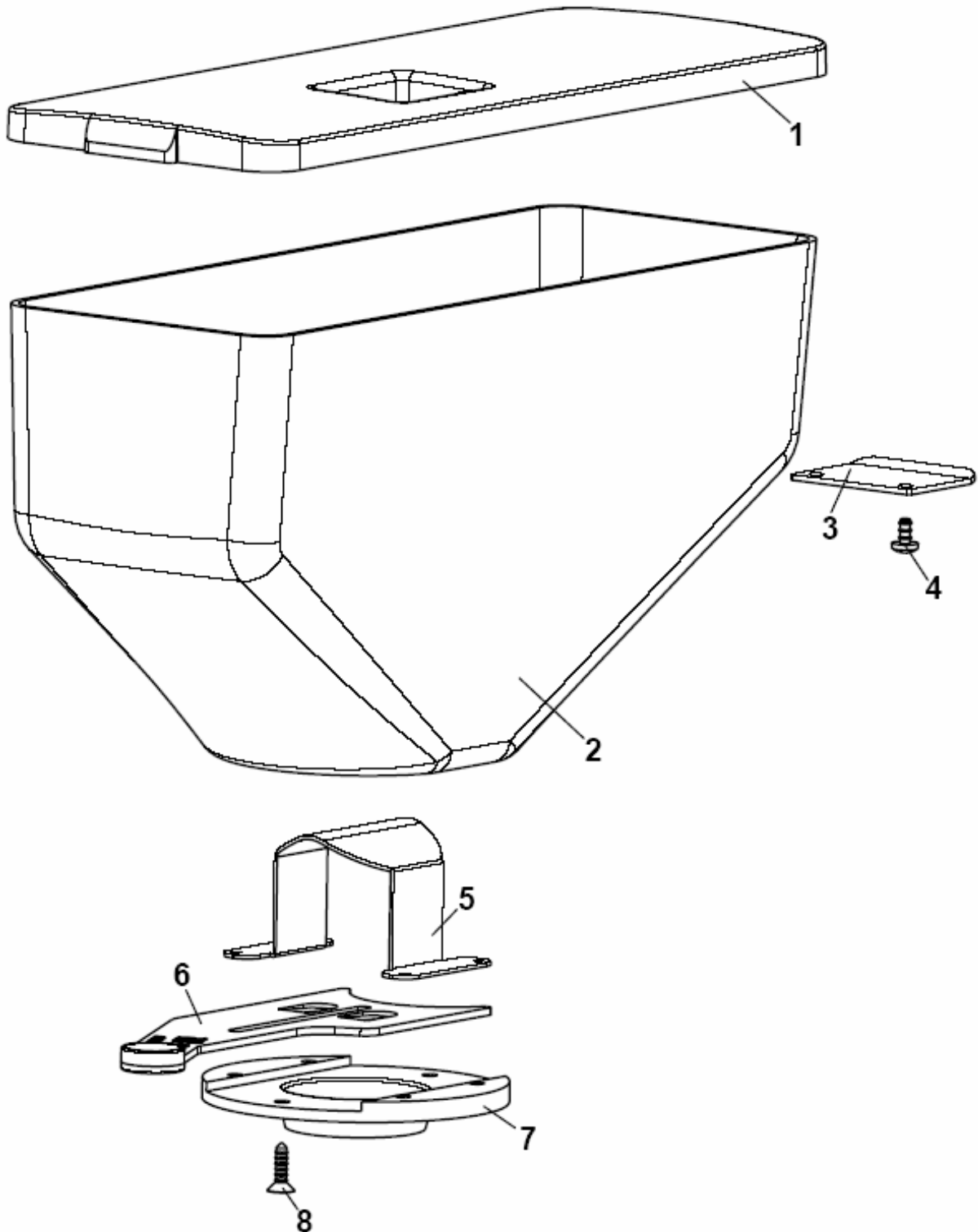
Parts

Pos.-Nr.	Part Description	Parts-Nr.
1	Water tank cover	0800012025
2	Filter cartridge	799038
3	Float upper	0020037045
4	Float lower	0020037046
5	Filter tank	0800012018
6	Water tank Container	0800012005PF
7	Water tank Socket	0800012015
8	Plunger Mounting Plate	0800012008
9	V-Ring DE 062	GUA0002008
10	Plunger	0800012009
11	Plunger spring	0800012012
12	Inlet valve support	0010027631
13	Screw 3,5 x 6,5	VIT0002009
14	Inlet valve 24V DC 6,3 W	0110001103
15	Plunger O-Ring	GUA0000082

9. Coffee bean container

9.1

Exploded View



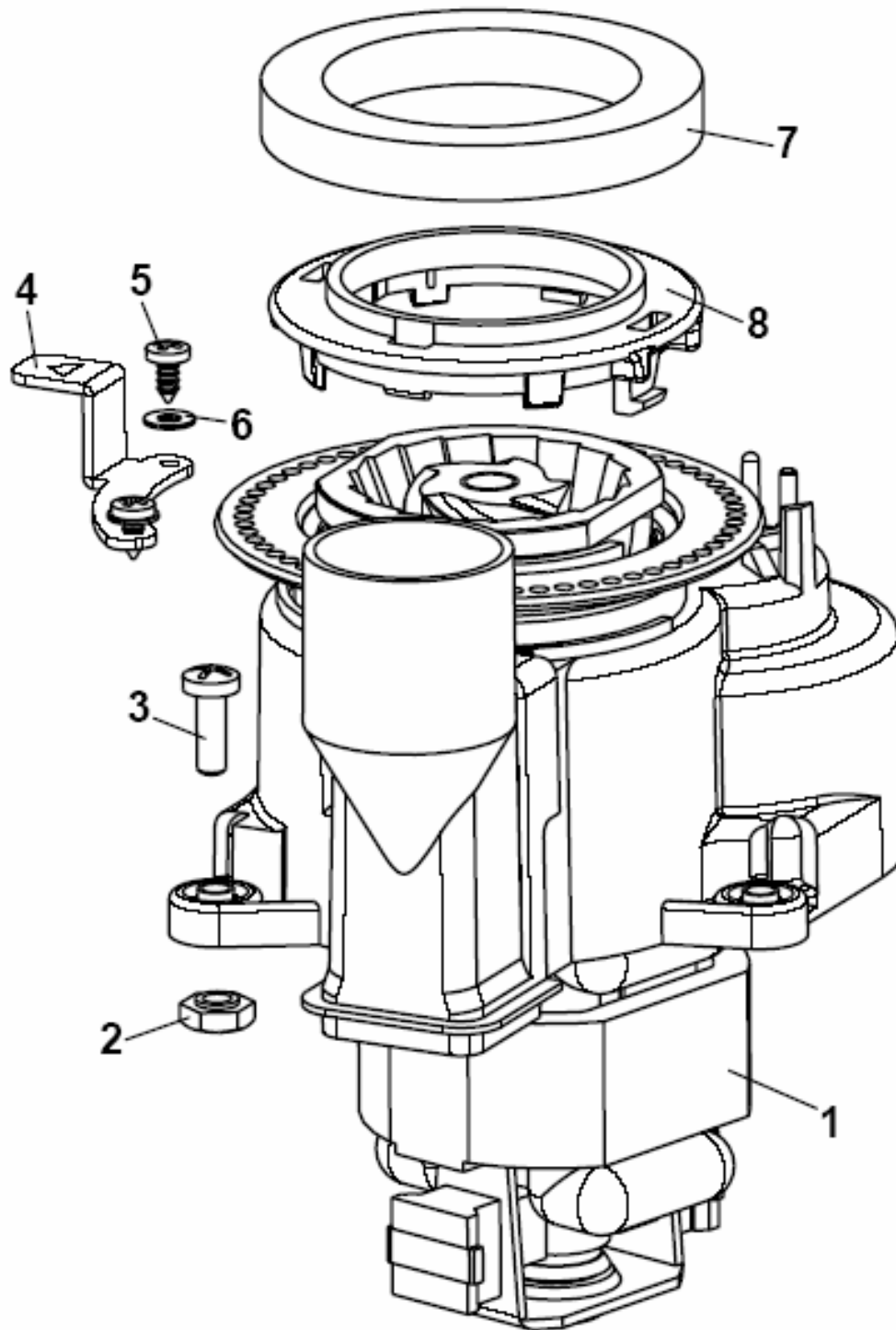
9. Coffee bean container**9.2****Parts**

Pos.-Nr.	Part Description	Parts-Nr.
1	Coffee bean container cover	0230015217
2	Coffee bean container	0230015213
3	Mounting Plate Coffee bean container	0230015212
4	Screw 3,5 x 6,5	VIT0002009
5	Protection Guard	0230015218
6	Slide	0230015207
7	Lower part Coffee bean container	0230015215
8	Screw 3,5 x 12	VIT0002101
*	Coffee bean container complete.	0230015210CL

10. Grinder

10.1

Exploded View



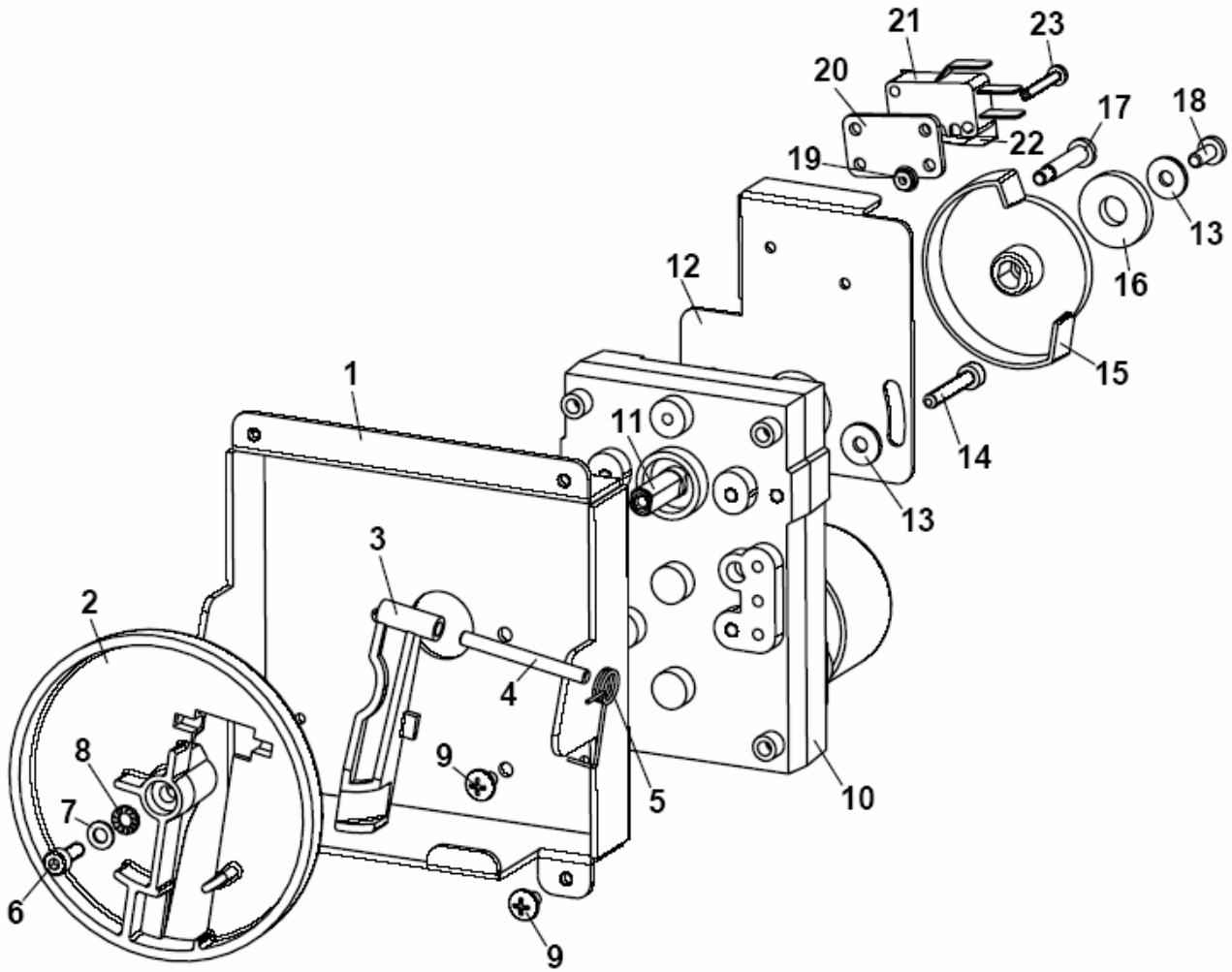
10. Grinder**10.2****Parts**

Pos.-Nr.	Part Description	Parts-Nr.
1	Grinder 230V	0320004500
2	Nut M 4	VIT0004806
3	Screw M 4 x 12	VIT0000013
4	Adjusting lever Grinder	0010027202
5	Screw 2,9 x 6,5	VIT0002001
6	Washer 3,2 x 7 x 0,5	VIT0003002
7	Seal Grinder	0230015219
8	Adjusting ring Grinder	0320004503
*	Grinder 230V complete (Pos. 1 – 8)	0320004500CL1

11. Brewer motor

11.1

Exploded View



11. Brewer motor

11.2

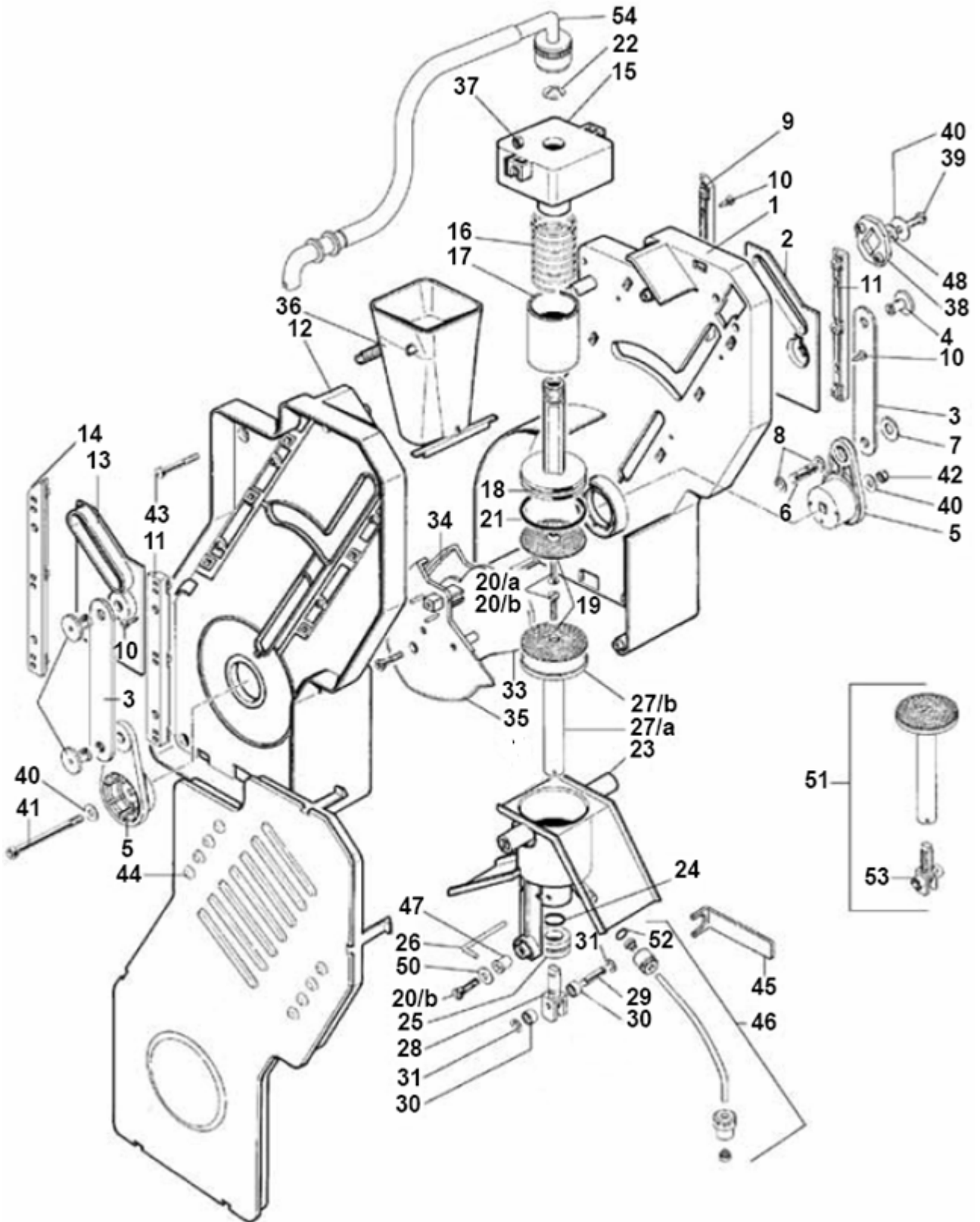
Parts

Pos.-Nr.	Part Description	Parts-Nr.
1	Mounting Plate Brewer motor	0260010128
2	Brewer motor drive plate	0250008012
3	Coupling	0250008034
4	Coupling Pin 4 x 8	VIT0005205
5	Coupling spring	0250008059
6	Screw M 4 x 12	VIT0005508
7	Washer 4,3 x 8 x 0,8	VIT0003003
8	Toothed washer 4,3 mm	VIT0003103
9	Screw M 4 x 7	VIT0000030
10	Motor Brewer motor 24V DC	0090002191
11	Shaft Brewer motor	0090002181
12	Mounting Plate Microswitch	0250008093
13	Washer 4,3 x 12 x 1,5	VIT0003301
14	Screw M 4 x 25	VIT0005521
15	Brewer motor cam disk	0250008043
16	Brewer motor shim	0250008091
17	Adjusting Screw M4	0250008126
18	Screw M 4 x 10	VIT0000012
19	Nut M 3	VIT0004701
20	Microswitch shim	4600010014
21	Microswitch	ELE0001528
22	Microswitch lever	ELE0001904
23	Screw M 3 x 20	VIT0000007

12. Micro Brewer

12.1

Exploded View



12. Micro Brewer

12.2

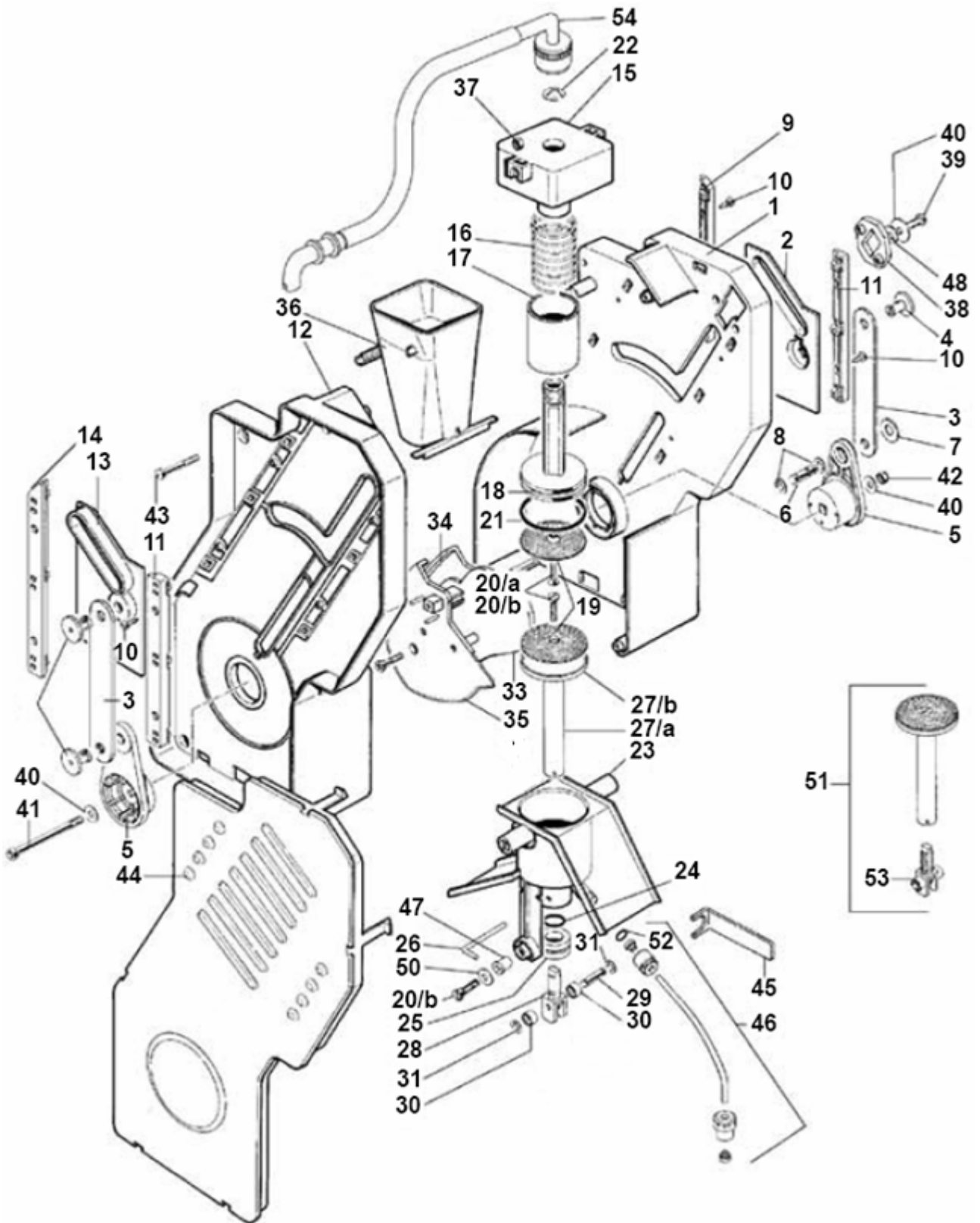
Parts

Pos.-Nr.	Part Description	Parts-Nr.
1	RH Micro Brewer housing right	0250008005
2	RH brew chamber cam	0250008084
3	Connecting rod	0250008009
4	Pin for Connecting rod	0250008028
5	RH Crank	0250008011
6	Crank Drive Pin	0250008014
7	Anti-vibration Washer	0250008042
8	Circlip D.5	VIT0006515
9	RH Rear Guide	0250008031
10	Screw 3,5 x 6,5	VIT0002026
11	Front Guide (RH & LH)	0250008033
12	LH Micro Brewer Housing	0250008006
13	LH Brew Chamber Cam	0250008085
14	LH Rear Guide	0250008032
15	UPPER FILTER support	0250008086
16	upper filter spring	0250008024
17	spring guide cover	0250008087
18	Upper plunger 9 gr.	0250008208
19	filter plate 9 gr.	0250008211
20a	Screw M 3 x 14 Stainless Steel	VIT0001202
20b	Screw M 3 x 8 Stainless steel	VIT0000121
21	O-Ring Micro Brewer 9 gr.	GUA0000097
22	Circlip D.8	VIT0006513
23	Brew chamber 9 gr.	0250008206R
24	O-Ring 112	GUA0000065
25	Bush lower plunger	0250008053
26	Bush pin	0250008029
27a	Lower Plunger rood	0250008082
27b	Filter support plate 9 gr.	0250008209R
28	Lower filter Roller support	0250008106
29	Roller pin	0250008021
30	Roller	0250008022
31	Circlip 3.2 mm	VIT0006516
33	Lower plunger ejection cam	0250008083
34	RH lower plunger recovery cam	0250008016
35	LH lower plunger recovery cam	0250008017
36	Coffee Chute	0250008036
37	Nut M 4 Stainless steel	VIT0004803
38	Upper plunger adjuster plate	0250008035
39	Screw M 4 x 8	VIT0000032
40	Washer 4,3 x 15 x 1,5	VIT0003309
41	Screw M 4 x 60	VIT0005523
42	Nut M 4	VIT0004810

12. Micro Brewer

12.3

Exploded View



12. Micro Brewer

12.4

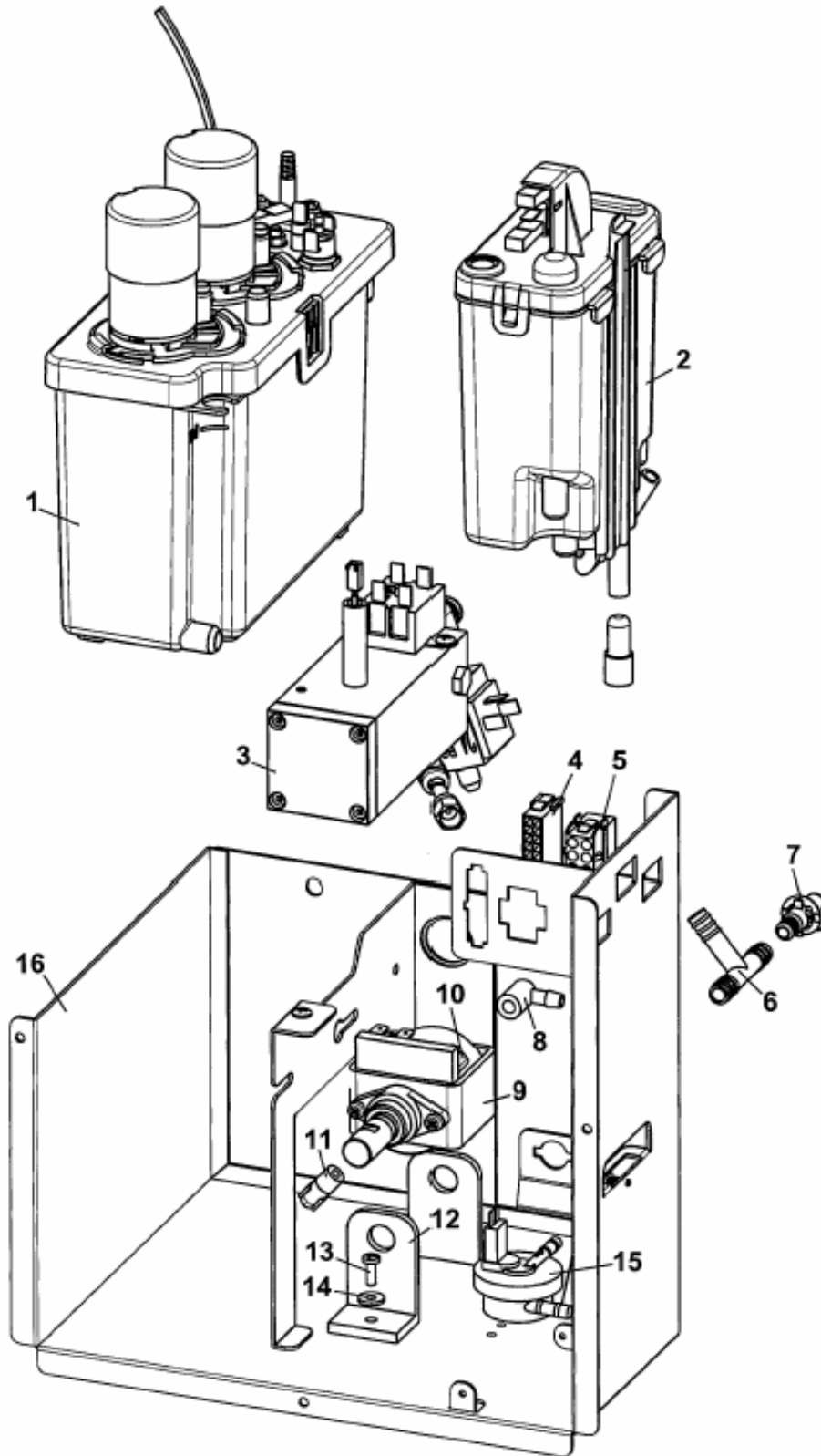
Parts

Pos.-Nr.	Part Description	Parts-Nr.
43	Screw 4.2 x 26	VIT0002461
44	Micro Brewer cover silver	0250008039CM
45	key for nut	0250008048
46	Inlet pipe assembly	0250008110CL
47	Press in Nut M 3	VIT0009203
48	Spring washer 4.2	VIT0003451
50	Brew chamber cam washer	0250008088
51	Lower plunger complete assembly inc. roller	0250008210R
52	O-Ring 2010	GUA0000061
53	Roller and support assembly	0250008107R
54	Coffee outlet pipe assembly	0250008076CL
*	Lower plunger assembly (Pos. 19, 27a, 27b)	0250008209R
*	Upper plunger assembly (Pos. 18 – 21)	0250008208R
*	Micro Brewer 9 gr. complete	0250008201R

13. Boiler Group E1

13.1

Exploded View



13. Boiler Group E1

13.2

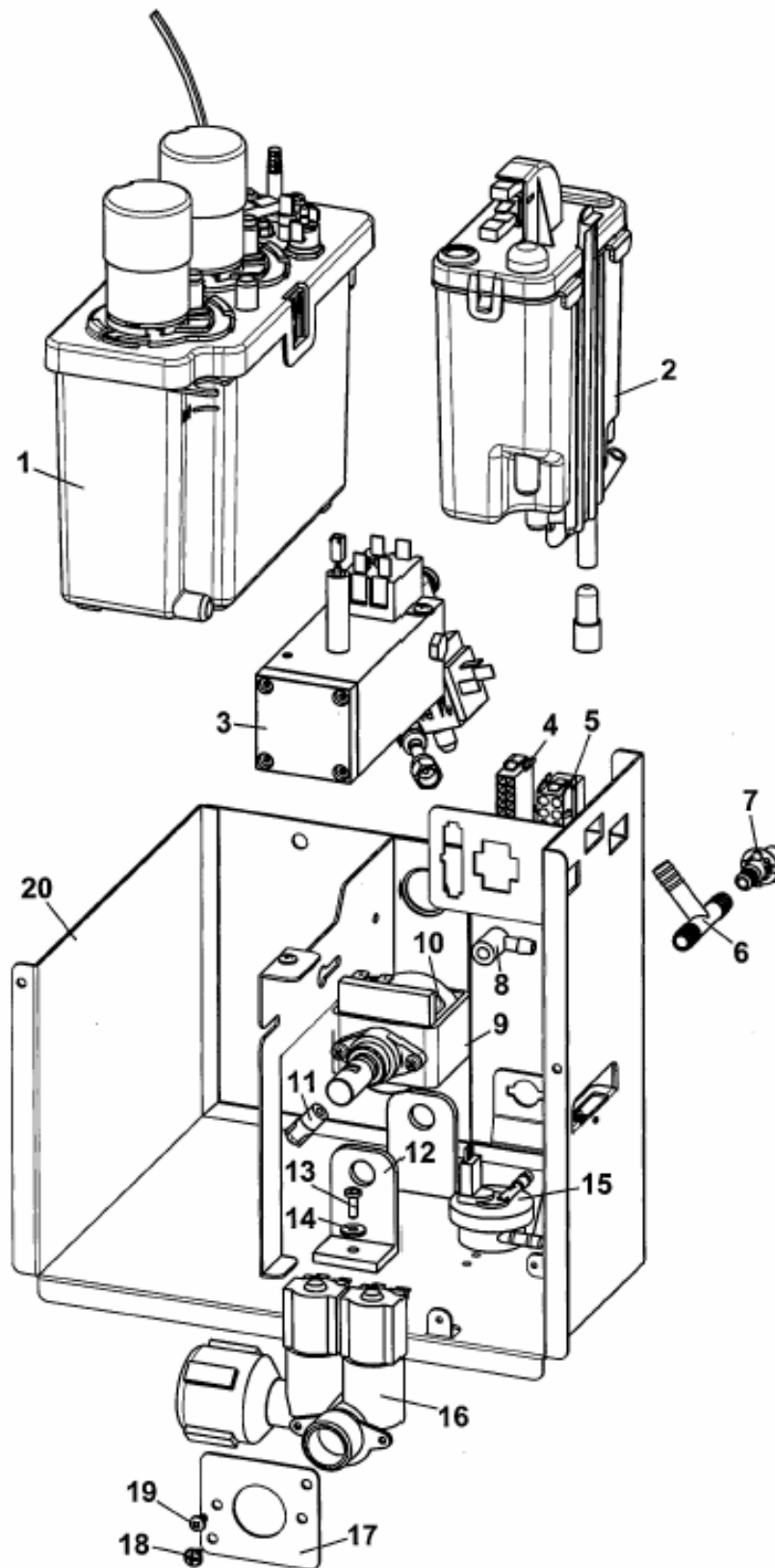
Parts

Pos.-Nr.	Part Description	Parts-Nr.
1	Boiler	See Page 33/34
2	Header tank	See Page 35 - 38
3	Flash-Heater	See Page 39/40
4	Wiring Harness 24V	CBLXX00044
5	Wiring Harness 230V	CBLXX00045
6	T-piece	0100003003
7	Overflow outlet	0080100084
8	Elbow Pump	0110004023
9	Pump ULKA EX7	0110004021
10	Temperature safety cut-out 90°C for Pump	ELE0000915
11	Elbow	0100001019
12	Mounting Plate Pump	0110004022
13	Screw M 4 x 12	VIT0000013
14	Washer 4,3 x 12 x 1,5	VIT0003301
15	Flow meter	0110007003
16	Housing Boiler Group	0010027617CM
*	Boiler Group E1 with housing	0010027616CL

13. Boiler Group E2

13.3

Exploded View



13. Boiler Group E2

13.4

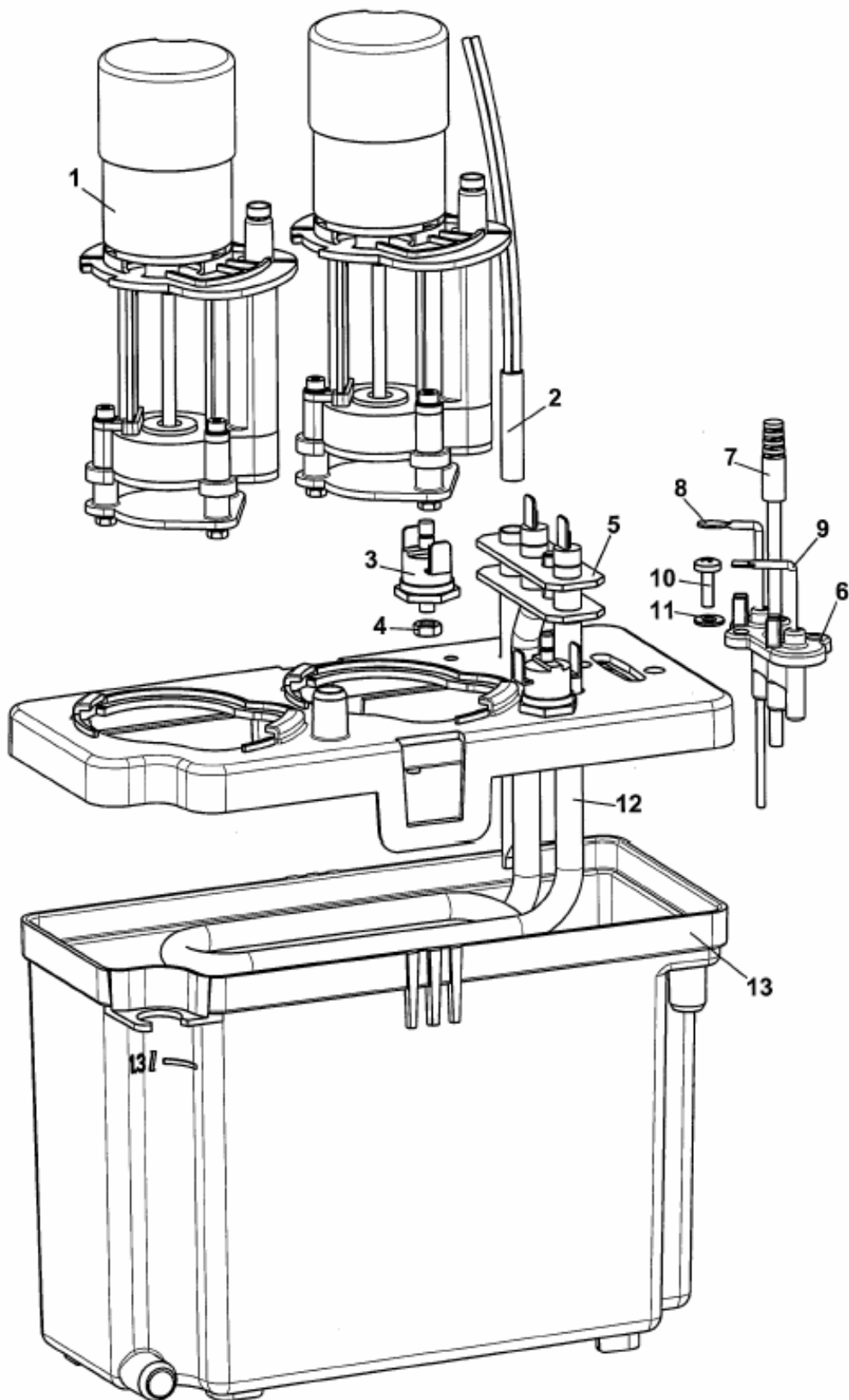
Parts

Pos.-Nr.	Part Description	Parts-Nr.
1	Boiler	See page 33/34
2	Header tank	See page 35 - 38
3	Flash-Heater	See page 39/40
4	Wiring Harness 24V	CBLXX00044
5	Wiring Harness 230V	CBLXX00045
6	T-piece	0100003003
7	Overflow outlet	0080100084
8	Elbow Pump	0110004023
9	Pump ULKA EX7	0110004021
10	Temperature safety cut-out 90°C for Pump	ELE0000915
11	Elbow	0100001019
12	Mounting Plate Pump	0110004022
13	Screw M 4 x 12	VIT0000013
14	Washer 4,3 x 12 x 1,5	VIT0003301
15	Flow meter	0110007003
16	Double inlet valve	0110001109
17	Retaining plate Inlet valve	0010027620
18	Screw 3,5 x 9,5	VIT0002401
19	Screw 3,9 x 9,5	VIT0002005
20	Housing Boiler group	0010027617CM
*	Boiler Group E2 with Housing	0010027615CL

14. Boiler

14.1

Exploded View



14. Boiler

14.2

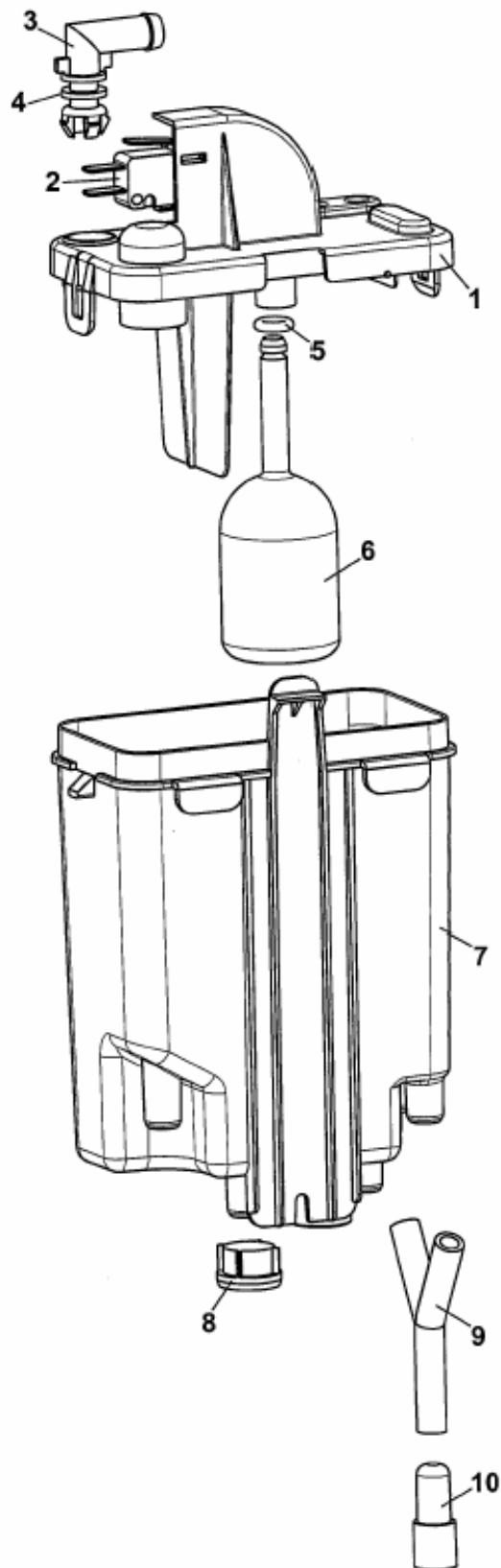
Parts

Pos.-Nr.	Part Description	Parts-Nr.
1	Pump	0600016405R
2	STB 121°C	ELE0003026CL
3	STB 88°C	ELE0000965
4	Nut M 4	VIT0004816
5	Heating element mount	0600016468
6	Probe receptacle	0600016059
7	Temperature sensor	ELE0000963R
8	Long water level probe	0600016423
9	Short Water level probe	0600016424
10	Screw M 4 x 12	VIT0001005
11	Washer 4,3 x 8 x 0,8	VIT0003211
12	Heater element 1300W 230V	0600016469
13	Boiler container	0600016451
*	Instant Boiler complete assembly.	0600016450R

15. Header tank E1

15.1

Exploded View



15. Header tank E1

15.2

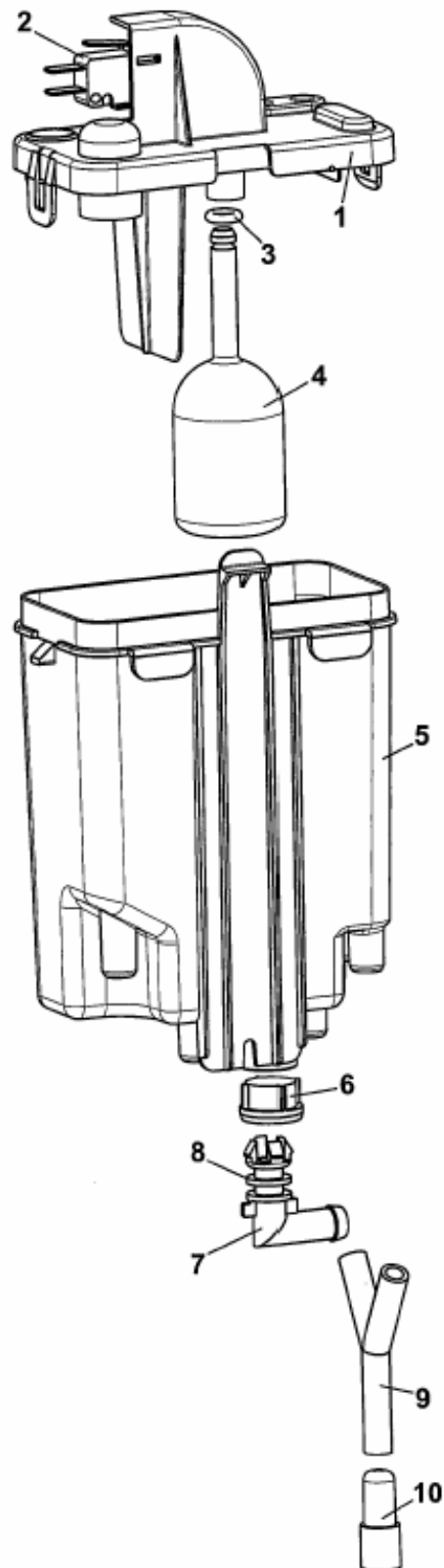
Parts

Pos.-Nr.	Part Description	Parts-Nr.
1	Cover Header tank	0800013043
2	Header tank float Microswitch	ELE0001514
3	Elbow Header tank	0800009211
4	O-Ring 109	GUA0000043
5	O-Ring	GUA0000082
6	Float	0800013046
7	Header tank	0800013041
8	Filter	0110020007
9	Y-Piece	0100001065
10	Drain Plug	650001057
*	Header tank E1 complete	0800013040CL

15. Header tank E2

15.3

Exploded View



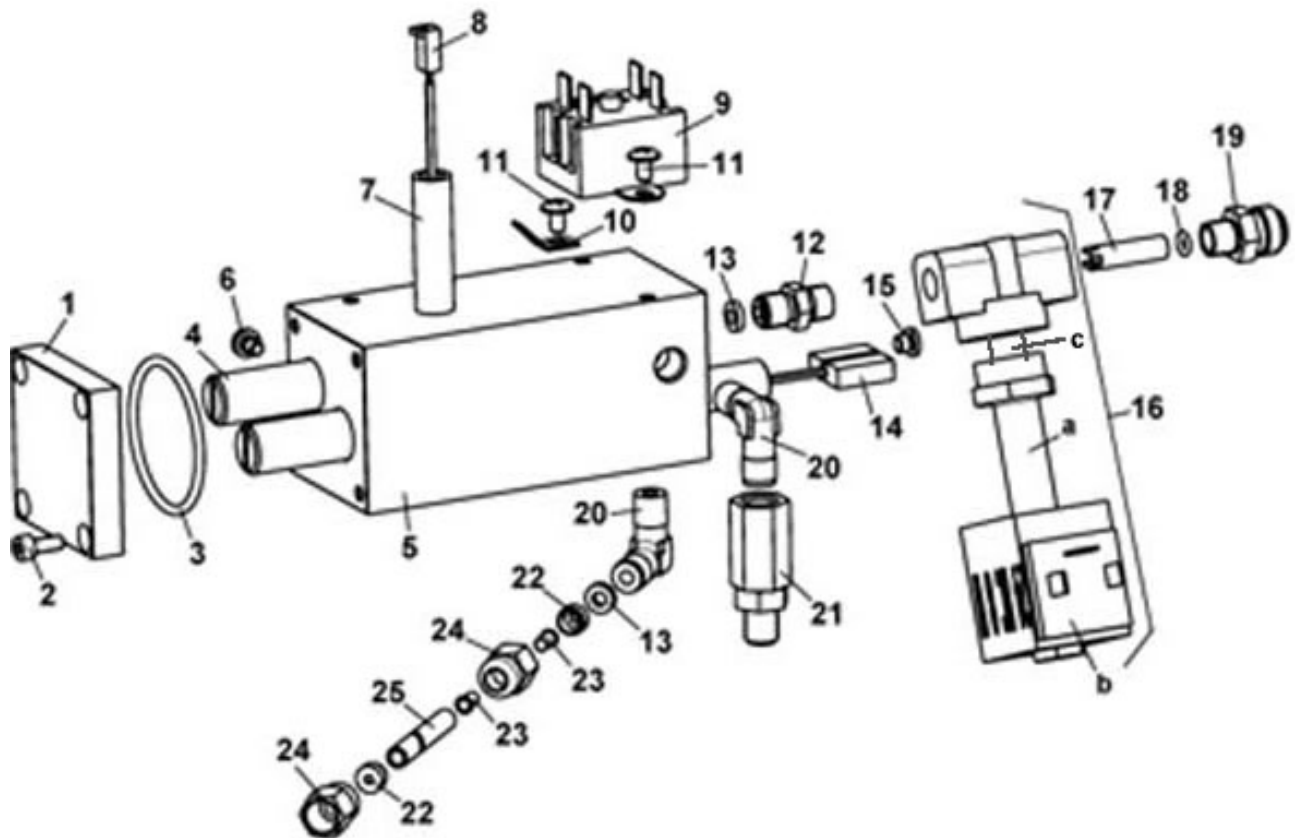
15. Header tank E2**15.4****Parts**

Pos.-Nr.	Part Description	Parts-Nr.
1	Cover Header tank	0800013043
2	Header tank float Microswitch	ELE0001514
3	O-Ring	GUA0000082
4	Float	0800013046
5	Header tank	0800013041
6	Filter	0110020007
7	Elbow Header tank	0800009211
8	O-Ring 109	GUA0000043
9	Y-Piece	0100001065
10	Drain Plug	650001057
*	Header tank E2 complete	0800013040CL1

16. Flash-Heater

16.1

Exploded View



16. Flash-Heater

16.2

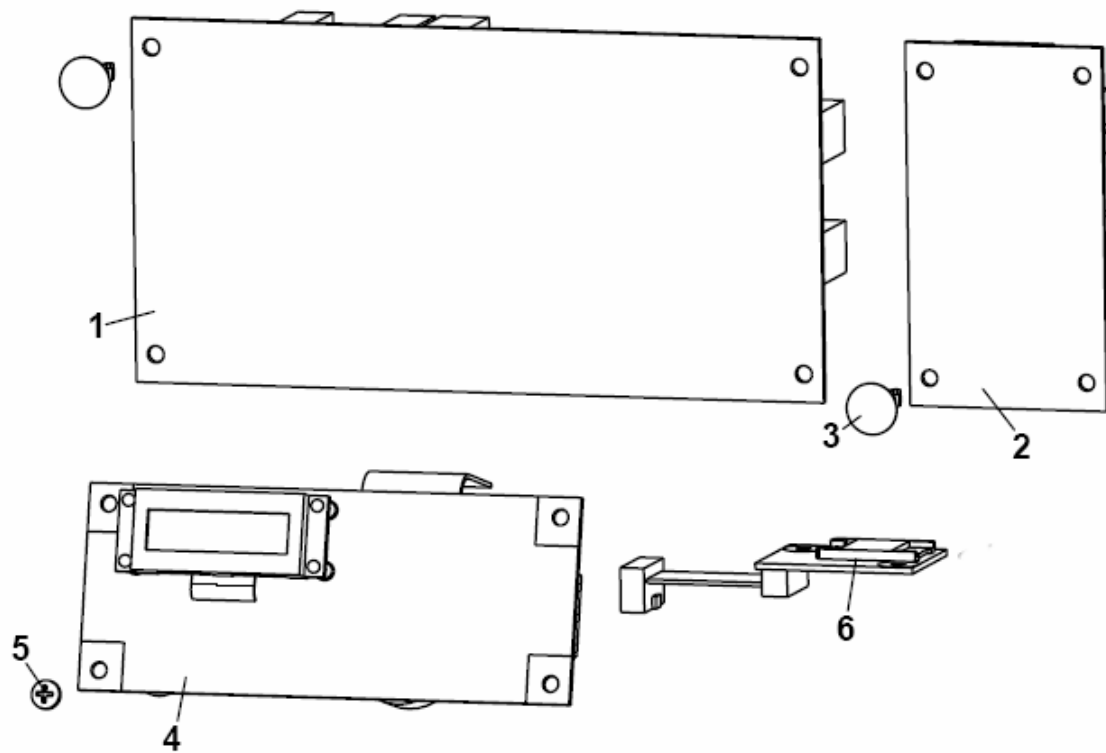
Parts

Pos.-Nr.	Part Description	Parts-Nr.
1	Flash-Heater end plate	0600019162
2	Screw M 4 x 10	VIT0005511
3	O-Ring 3162	GUA0000099
4	Ceramic Core Flash-Heater	0600019154
5	Flash-Heater Brass Block	0600019163
6	Screw	4060010126
7	Transparent Silicone pipe 7 x 11	TSIL07/11T
8	Temperature sensor	ELE0000930
9	STB 145°C	ELE0009031
10	Grounding connector	0600019012
11	Screw M 4 x 7	VIT0000030
12	Reducer	0100001017
13	Copper ring	0100003002
14	Heating element Flash-Heater 700W 230V	0600019157
15	M5 Screw with O-ring	0100001078
16	Exhaust valve 24V DC	0110001072
16a	Plunger guide	0110010035
16b	Coil 8W 24V DC	0110010065
16c	Plunger	0110010020
17	Spacer	0110003122
18	O-Ring 2015	GUA0000069
19	Brewer Coupling	0110003121
20	Elbow	0100001019
21	Pressure relief valve 1/8"	0110002009
22	Compression seal 6 mm	0100002002
23	Spacer 4 mm	0100002005
24	Union nut 1/8	0100001002
25	PTFE- Hose 6 x 4 mm	TNAY000001
*	Flash-Heater complete	0600019160CL

17. Control Electronics

17.1

Exploded View



17. Control Electronics**17.2****Parts**

Pos.-Nr.	Part Description	Parts-Nr.
1	CPU board	SCH0006600
2	PB Expansion board	SCH0006620
3	PCB Standoff post	ELE0062013
4	Display board	SCH0005840
5	Screw 3.5 x 6.5	VIT0002009
6	Interface Flash Card Slot	SCH0005860

FAX – ORDER



For Spare parts

Rheavendors servomat UK
Unit G3 Charwood Court
County Oak Way
Crawley RH11 7XA

Date: _____
Company Name: _____
Contact: _____

Fax-No.: 01293 536738

Account - No.:

Has your address changed since your last order? yes no

Qty.	Part Number	Part Description
_____	_____	_____
_____	_____	_____
_____	_____	_____
_____	_____	_____
_____	_____	_____
_____	_____	_____
_____	_____	_____
_____	_____	_____
_____	_____	_____
_____	_____	_____
_____	_____	_____
_____	_____	_____
_____	_____	_____
_____	_____	_____
_____	_____	_____
_____	_____	_____
_____	_____	_____
_____	_____	_____
_____	_____	_____
_____	_____	_____
_____	_____	_____

Ship to invoice address? Yes No

Shipping address if different to invoice address.

Your Service Partner