

o cino

xs presso-bean
spare parts manual
4th edition 02/2004



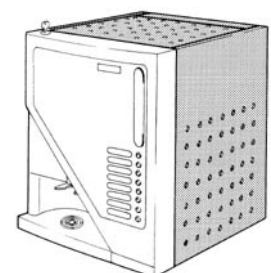
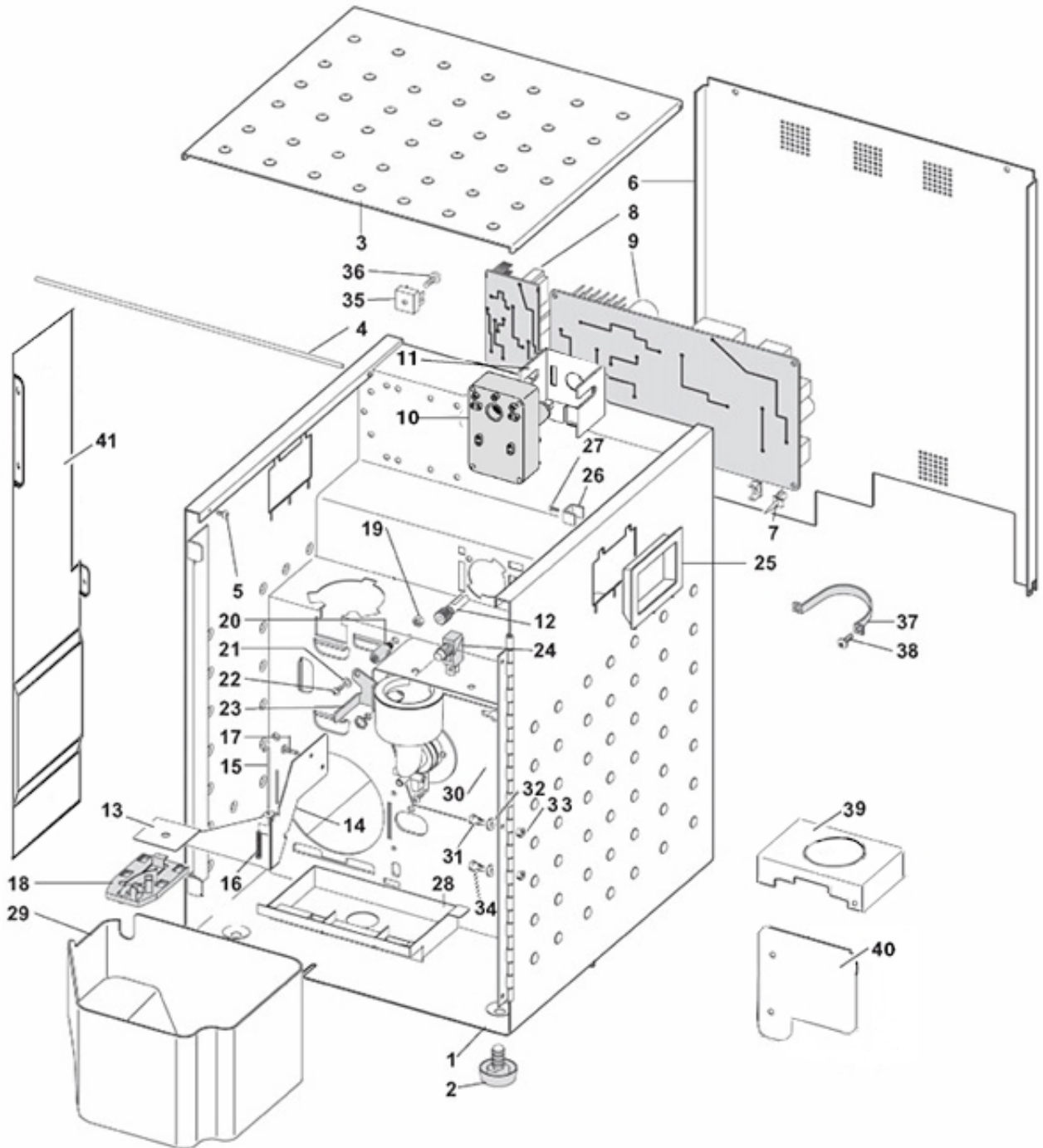
Table of contents

Chapter	Assembly		Page
1	Inner casing front (till Machine-No. 03259999)	Exploded View Article	3 / 5 4 / 6
2	Inner casing front (from Machine-No. 03260001)	Exploded View Article	7 / 9 8 / 10
3	Rear casing (till Machine-No. 03259999)	Exploded View Article	11 12
4	Rear casing (from Machine-No. 03260001)	Exploded View Article	13 14
5	Door (till Machine-No. 0201999)	Exploded View Article	15 16
6	Door (till Machine-No. 03259999)	Exploded View Article	17 18
7	Door (from Machine-No. 03260001)	Exploded View Article	19 20
8	Product container	Exploded View Article	21 22
9	Water tank	Exploded View Article	23 24
10	Tank in tank	Exploded View Article	25 26
11	Mixing bowl	Exploded View Article	27 28
12	Coffee group	Exploded View Article	29 30
13	Coffee container	Exploded View Article	31 32
14	Grinder	Exploded View Article	33 34
15	Portioning unit	Exploded View Article	35 36
16	Brewer motor (till Machine-No. 03109999)	Exploded View Article	37 38
17	Brewer motor (till Machine-No. 03110001)	Exploded View Article	39 40
18	Micro brewer	Exploded View Article	41 / 43 42 / 44
19	Pressure boiler	Exploded View Article	45 / 47 46 / 48
20	Soluble tank	Exploded View Article	49 50
21	CPU E-Prom (till Machine-No. 03259999)	Exploded View Article	51 52
22	CPU Flash Card (from Machine-No. 03260001)	Exploded View Article	53 54
23	XS-Base	Exploded View Article	55 56

1. Inner casing front (till Machine-No. 03259999)

1.1

Exploded View



1. Inner casing front (till Machine-No. 03259999)

1.2

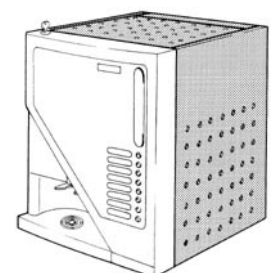
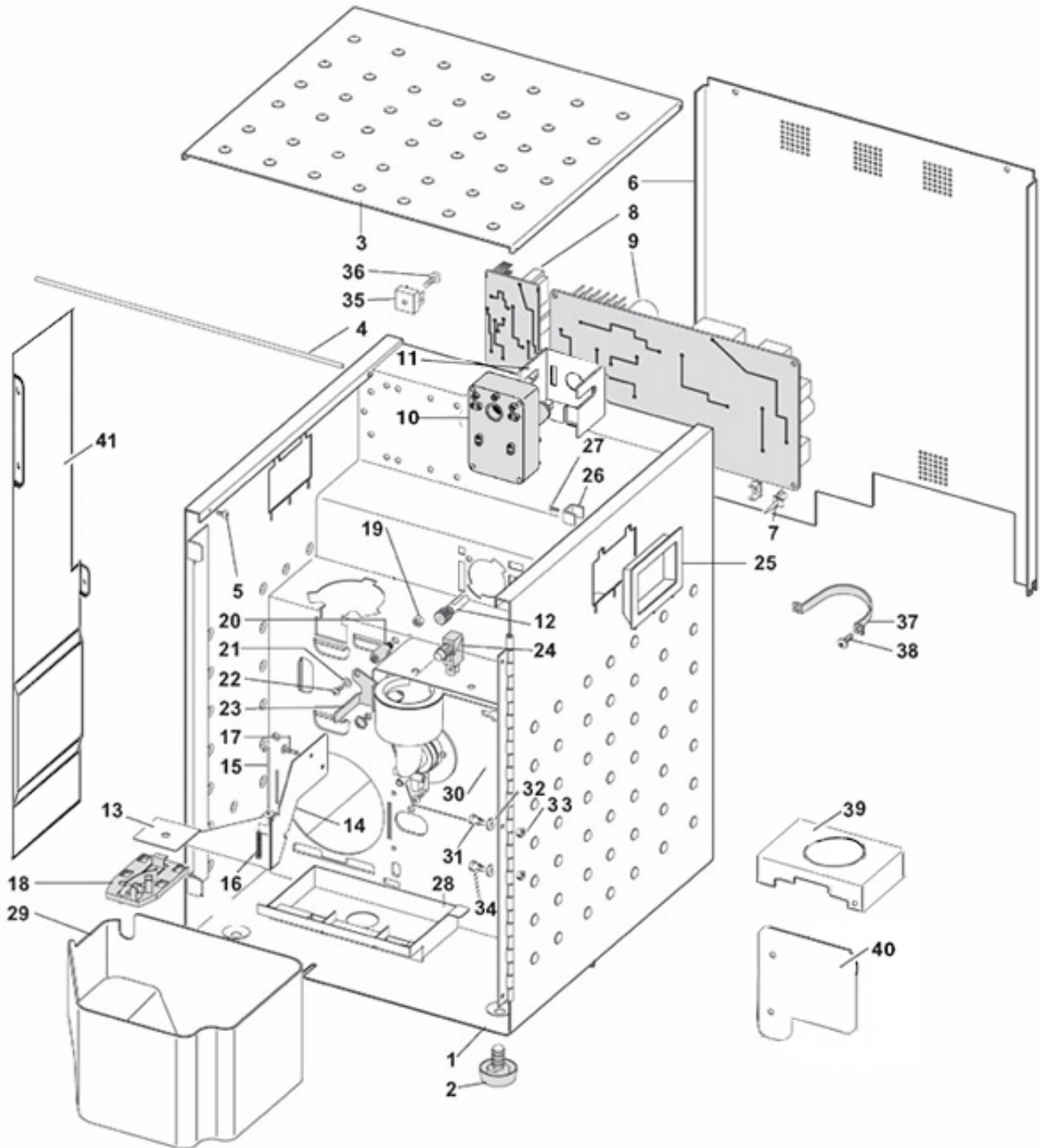
Article

Pos.-No.	Description	Article-No.
1	"E" CABINET STRUCTURE ASSEMBLY	0010020105
1a	"E" CABINET STRUCTURE ASSEMBLY SILVER	0010020105CM
2	CABINET FEET ASSEMBLY	0010020169
3	"E" UPPER COVER	0010020113
3a	"E" UPPER COVER SILVER	0010020113CM
4	SHAFT UPPER COVER	0010020022
5	TAPPING SCREW T.C.B. 3,5 x 6,5	VIT0002009
6	"E" REAR DOOR	0010020114
6a	"E" REAR DOOR SILVER	0010020114CM
7	BOARD SUPPORT	ELE0062008
8	XS-E EXPANSION	SCH0003240
9	PRIMA CPU BOARD AND POWER CONTROL	SCH0002640
10	MR NCJM2480-X 24 VDC	0090002108
11	GEAR MOTOR SUPPORT	0010020031
12	Z18 D.15 LONG SHAFT	0090002112
13	JOINT FRONT COVER	0010020134
14	JOINT SIDE COVER	0010020133
15	JOINT PIN	0010020137
16	JOINT SPRING	0010020138
17	TAPPING SCREW TCB 3,5 x 9,5	VIT0002401
18	PIPES SUPPORT	0010020051
19	NUT M 6	VIT0004505
20	MICRO GROUP HOOKING BLOCK	0260010103
21	WASHER D.12 x 4,3 x 1,5	VIT0003301
22	SCREW TCB M 4 x 7	VIT0000030
23	GROUP CONNECTING PLATE	0010020132
24	MICROSWITCH 83.131.8-IW3M	ELE0001506
25	HANDLE	0010020026NA
26	SECURING CONNECTION	4600010012
27	TAPPING SCREW TCB 3,5 x 12	VIT0002452
28	"E" 2 EXHAUST DRAWER	0010020131
28a	"E" 1 EXHAUST DRAWER	0010020181
29	GROUNDS CONTAINER	0010020129
30	"E" 1 MIXER SUPPORT	0010020116
30a	"E" 2 MIXER SUPPORT	0010020125
31	PLASTIC COIN BOX LONG SPACER	0020035125
32	WASHER D.8 x 4,3 x 0,8	VIT0003003
33	NUT M 4	VIT0004503
34	PLASTIC COIN BOX SHORT SPACER	0020035124
35	25 A 600 V DIODE BRIDGE	ELT0006005
36	M 4 x 16 TCB SCREW	VIT0000014
37	MILL CONNECTING CLIP	0010080186
38	M 4 x 12 TCB SCREW	VIT0000013

1. Inner casing front (till Machine-No. 03259999)

1.3

Exploded View



1. Inner casing front (till Machine-No. 03259999)

1.4

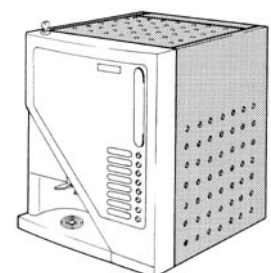
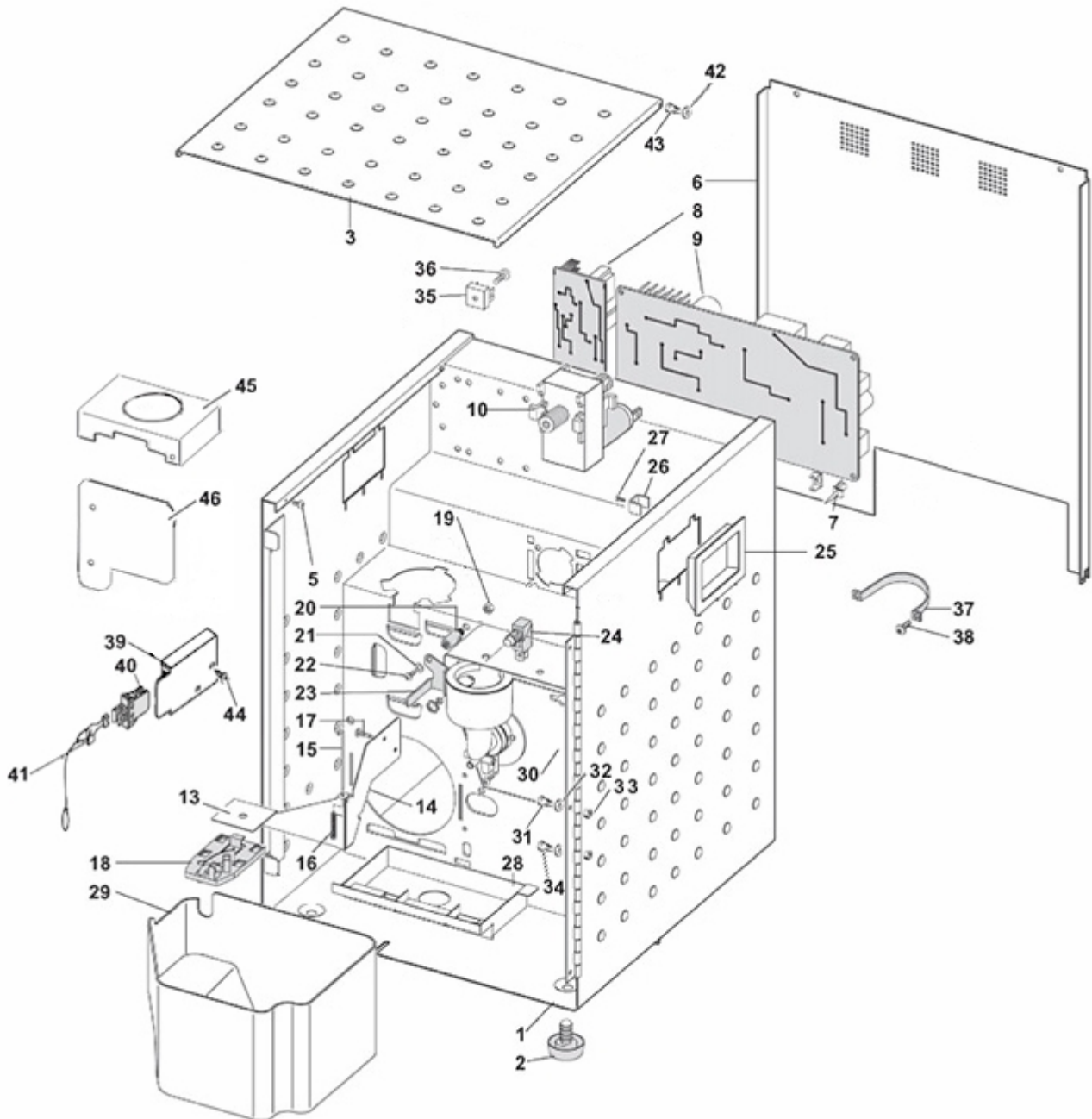
Article

Pos.-No.	Description	Article-No.
39	GRINDER COVER	0010020193
40	PORTIONING UNIT COVER	0010020195
41	COVER SUPPOPRT GRINDER/PORTIONING UNIT	0010020194

2. Inner casing front (from Machine-No. 03260001)

2.1

Exploded View



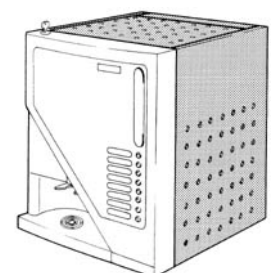
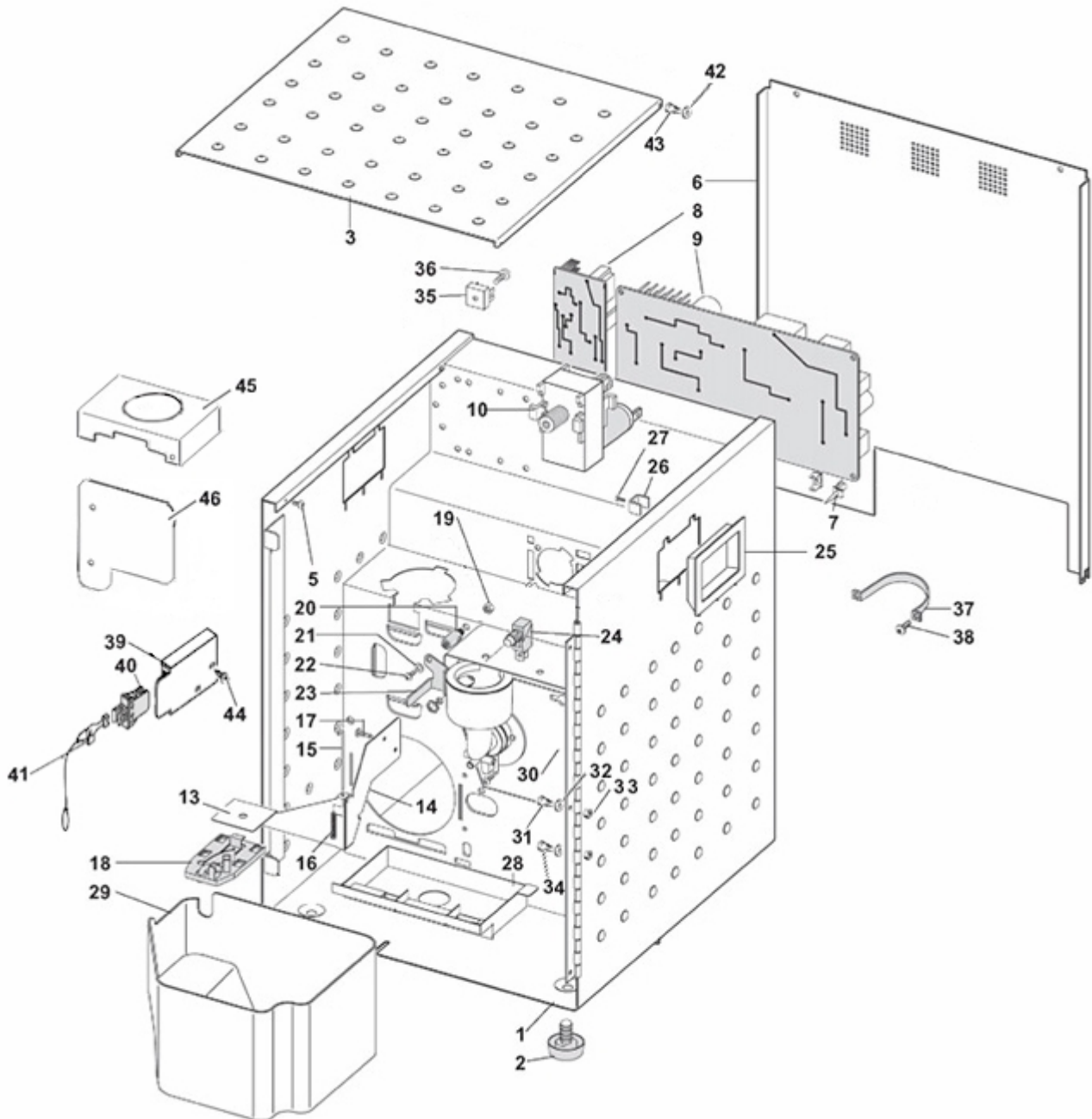
2. Inner casing front (from Machine-No. 03260001)**2.2****Article**

Pos.-No.	Description	Article-No.
1	"E" CABINET STRUCTURE ASSEMBLY	0010020805
1A	"E" CABINET STRUCTURE ASSEMBLY SILVER	0010020805CM
2	CABINET FEET ASSEMBLY	0010020169
3	"E" UPPER COVER	0010020816
3a	"E" UPPER COVER SILVER	0010020816CM
4	SHAFT UPPER COVER	0010020022
5	TAPPING SCREW T.C.B. 3,5 x 6,5	VIT0002009
6	"E" REAR DOOR	0010020820
6a	"E" REAR DOOR SILVER	0010020820CM
7	BOARD SUPPORT	ELE0062008
8	XS-E EXPANSION	SCH0003240
9	PRIMA CPU BOARD AND POWER CONTROL	SCH0002640
10	MR NCJM2480-X 24 VDC	0090002108
11	GEAR MOTOR SUPPORT	0010020031
12	Z18 D.15 LONG SHAFT	0090002112
13	JOINT FRONT COVER	0010020134
14	JOINT SIDE COVER	0010020133
15	JOINT PIN	0010020137
16	JOINT SPRING	0010020138
17	TAPPING SCREW TCB 3,5 x 9,5	VIT0002401
18	PIPES SUPPORT	0010020051
19	NUT M 6	VIT0004505
20	MICRO GROUP HOOKING BLOCK	0260010103
21	WASHER D.12 x 4,3 x 1,5	VIT0003301
22	SCREW TCB M 4 x 7	VIT0000030
23	GROUP CONNECTING PLATE	0010020132
24	MICROSWITCH 83.131.8-IW3M	ELE0001506
25	HANDLE	0010020026NA
26	SECURING CONNECTION	4600010012
27	TAPPING SCREW TCB 3,5 x 12	VIT0002452
28	"E" 2 EXHAUST DRAWER	0010020131
28a	"E" 1 EXHAUST DRAWER	0010020181
29	GROUNDS CONTAINER	0010020129
30	"E" 1 MIXER SUPPORT	0010020116
30a	"E" 2 MIXER SUPPORT	0010020125
31	PLASTIC COIN BOX LONG SPACER	0020035125
32	WASHER D.8 x 4,3 x 0,8	VIT0003003
33	NUT M 4	VIT0004503
34	PLASTIC COIN BOX SHORT SPACER	0020035124
35	25 A 600 V DIODE BRIDGE	ELT0006005
36	M 4 x 16 TCB SCREW	VIT0000014
37	MILL CONNECTING CLIP	0010080186
38	M 4 x 12 TCB SCREW	VIT0000013

2. Inner casing front (from Machine-No. 03260001)

2.3

Exploded View



2. Inner casing front (from Machine-No. 03260001)

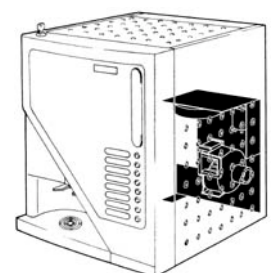
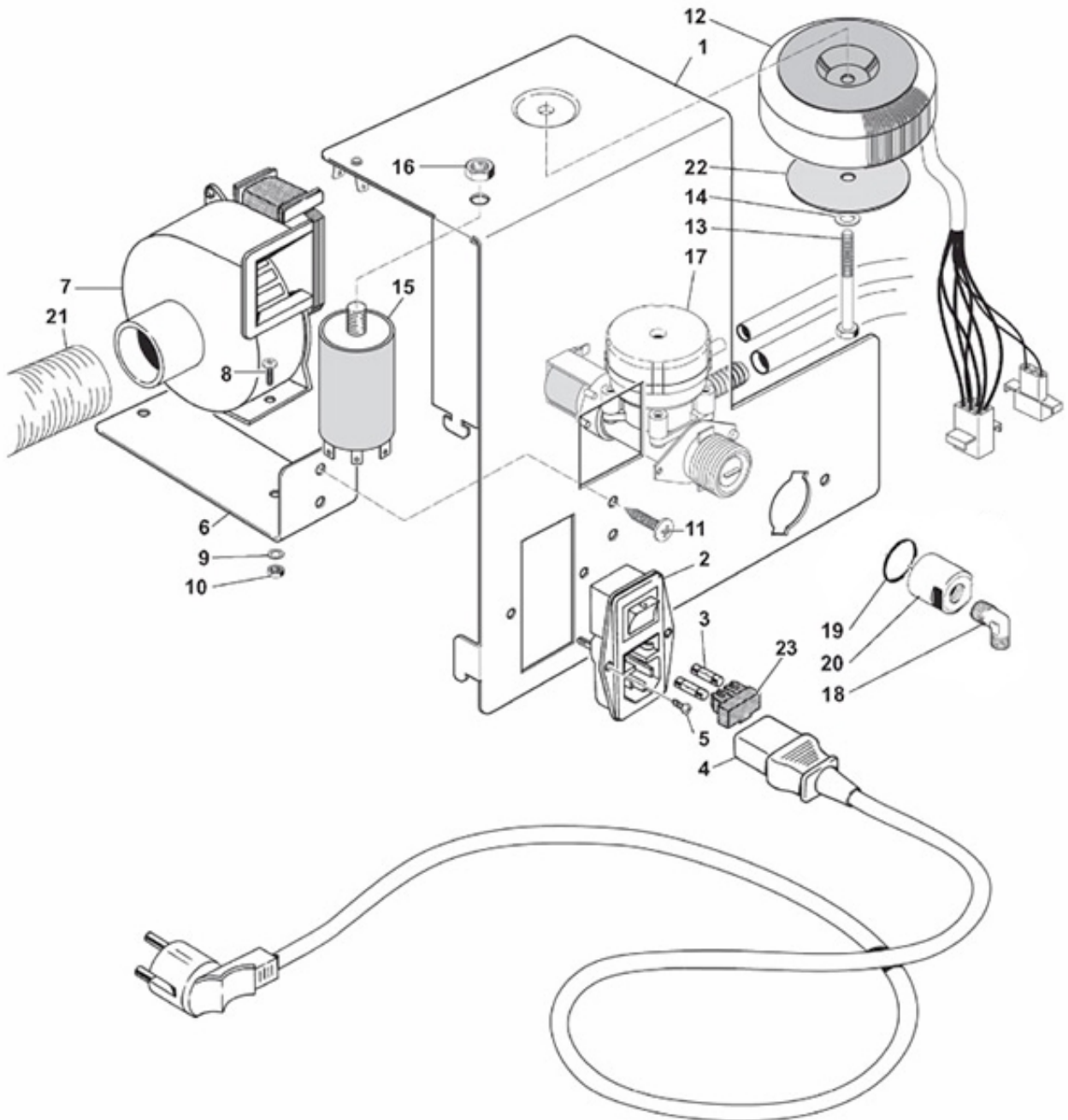
2.4

Article

Pos.-No.	Description	Article-No.
39	COVER DOOR CONTACT SWITCH	0010020770
39a	COVER DOOR CONTACT SWITCH SILVER	0010020770CM
40	DOOR CONTACT SWITCH	ELE0002009
41	DOOR CONTACT KEY	0270011109CL
42	RADIAL STOP RING D.4	VIT0007102
43	HINGE BOLT D.4	0010020765
44	TAPPING SCREW TCB 2,9 x 6,5	VIT0002001
45	GRINDER COVER	0010020193
46	PORTIONING UNIT COVER	0010020195

3. Rear casing (till Machine-No. 03259999)

3.1 Exploded View



3. Rear casing (till Machine-No. 03259999)

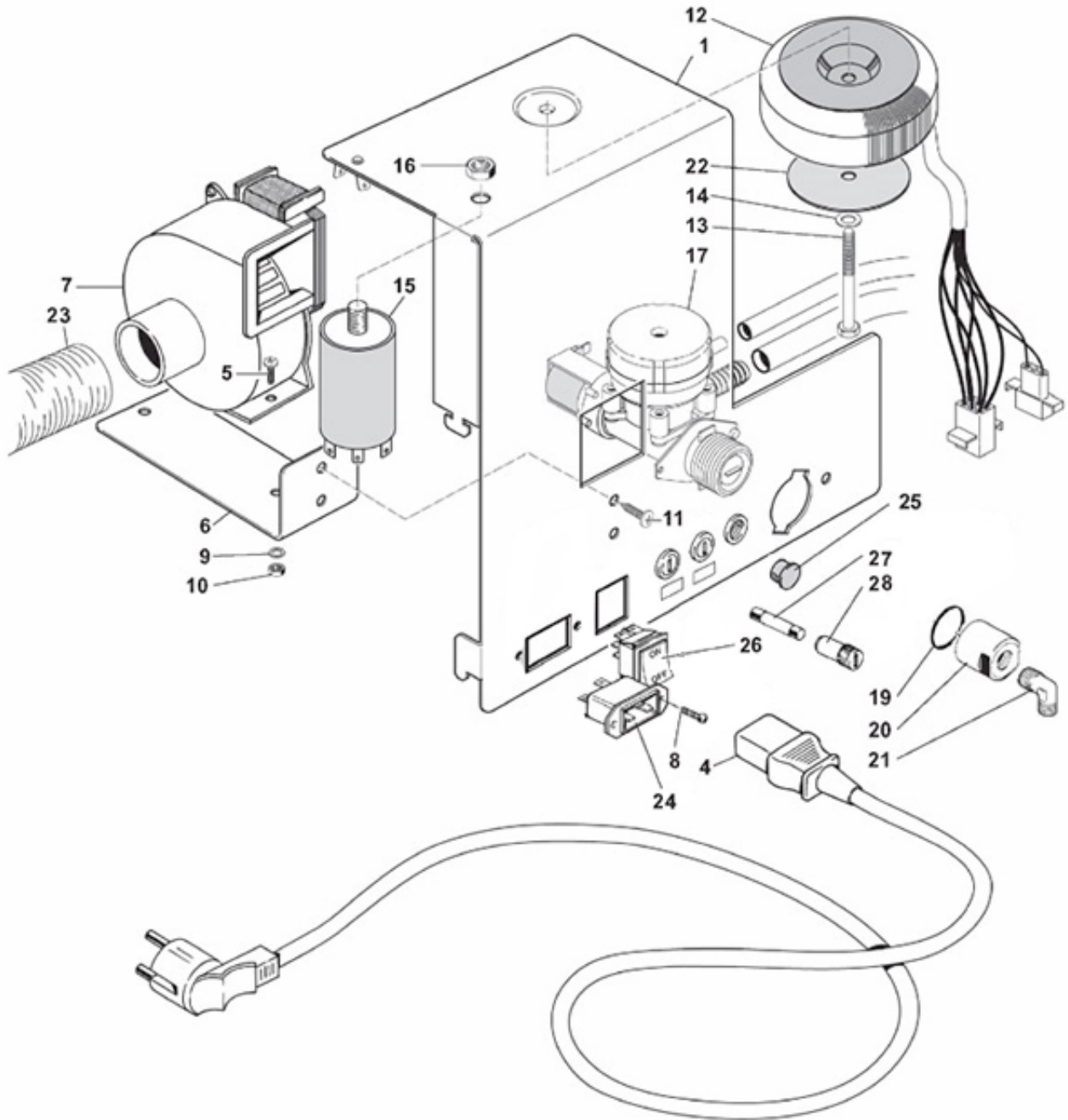
3.2

Article

Pos.-No.	Description	Article-No.
1	REAR DOOR TURNABLE	0010020146
2	2 P SOCKET + EARTH + BIPOLA SWITCH + FUSE HOLDER	ELE0002309
3	6,3 A 5x20 SLOW-BLOW GLASS FUSE	ELE0003004
4a	POWER LEAD 3 x 1 SOCKET AND SCHUKO PLUG	ELE0055008
4b	POWER LEAD 3 x 1 WITH IEC SOCKET AND GB PLUG	ELE0055010
5	TAPPING SCREW T.C.B. 3,5 x 6,5	VIT0002009
6	EXHAUST SUPPORT	0010020145
7	CENTRIFUGAL EXHAUSTER	ELE0000459
8	M 4 x 12 TCB SCREW	VIT0000013
9	WASHER tab D. 4,3	VIT0003103
10	NUT M 4	VIT0004503
11	TAPPING SCREW TCB 3,5 x 9,5	VIT0002401
12	TOROIDAL TRANSFORMER ASSEMBLY	ELE0000569R
13	M 6 x 50 H.H. SCREW	VIT0000239
14	6,4 x 12,5 x 1,6 FLAT WASHER	VIT0003005
15	ANTIPARASITIC FILTER	ELE0009057
16	NUT M 8	VIT00004506
17	24 DC INLET VALVE WITH SAFETY DEVICE	0110001086
18	L FITTING 3/8" CON	0100001023
19	OR 130 JUST FOR MAIN WATER SUPPLY	GUA0000021
20	3/8" GAS M WATER INLET VALVE CONNECTION	0810010558
21	FANPIPE Ø 30 mm	TEOL000002
22	RUBBER WASHER TRANSFORMER D80	GUA00005016
23	FUSEHOLDER	500055

4. Rear casing (from Machine-No. 03260001)

4.1 Exploded View



4. Rear casing (from Machine-No. 03260001)

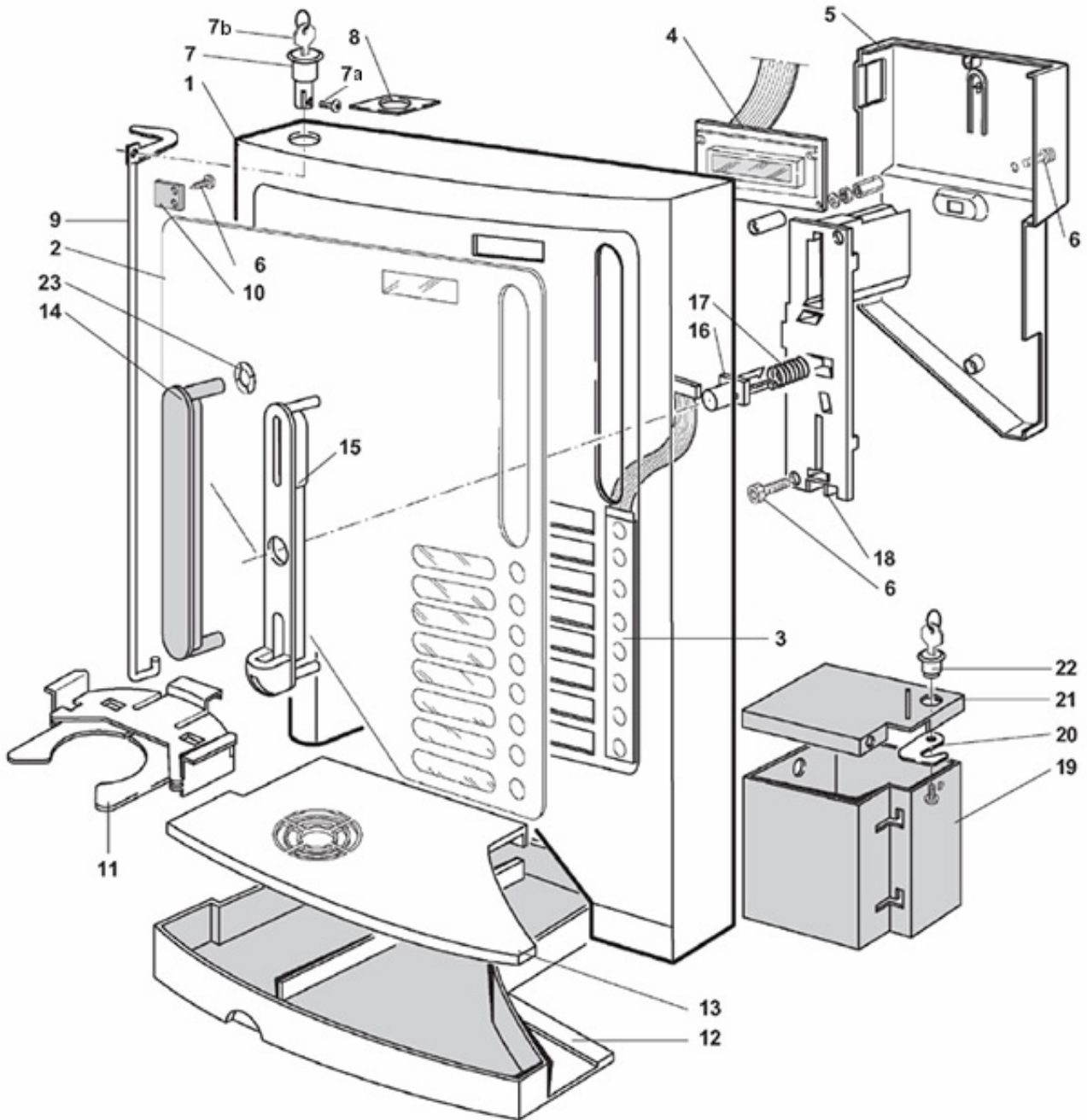
4.2

Article

Pos.-No.	Description	Article-No.
1	REAR DOOR TURNABLE	0010020813
1a	REAR DOOR TURNABLE SILVER	0010020813CM
4a	POWER LEAD 3 x 1 SOCKET AND SCHUKO PLUG	ELE0055008
4b	POWER LEAD 3 x 1 WITH IEC SOCKET AND GB PLUG	ELE0055010
5	M 4 x 12 TCB SCREW	VIT0000013
6	EXHAUST SUPPORT	0010020145
7	CENTRIFUGAL EXHAUSTER	ELE0000459
8	TAPPING SCREW T.C.B. 3,5 x 6,5	VIT0002009
9	WASHER tab D. 4,3	VIT0003103
10	NUT M 4	VIT0004503
11	TAPPING SCREW TCB 3,5 x 9,5	VIT0002401
12	TOROIDAL TRANSFORMER ASSEMBLY	ELE0000569R
13	M 6 x 50 H.H. SCREW	VIT0000239
14	6,4 x 12,5 x 1,6 FLAT WASHER	VIT0003005
15	ANTIPARASITIC FILTER	ELE0009057
16	NUT M 8	VIT00004506
17	24 DC INLET VALVE WITH SAFETY DEVICE	0110001086
19	OR 130 JUST FOR MAIN WATER SUPPLY	GUA0000021
20	3/8" GAS M WATER INLET VALVE CONNECTION	0810010558
21	L FITTING 3/8" CON	0100001023
22	RUBBER WASHER TRANSFORMER D80	GUA0005016
23	FANPIPE	TEOL000002
24	IEC 15A 250V SOCKET	ELE0002310
25	RELEASE PLUG	GUA0011010
26	15A 250V ON/OFF UL/CSA BIPOLAR SWITCH	ELE0002014
27	12 A 6,3x32 SLOW-BLOW GLASS FUSE	ELE0003024
28	FUSEHOLDER	ELE0003507

5. Door (till Machine-No. 0201999)

5.1 Exploded View

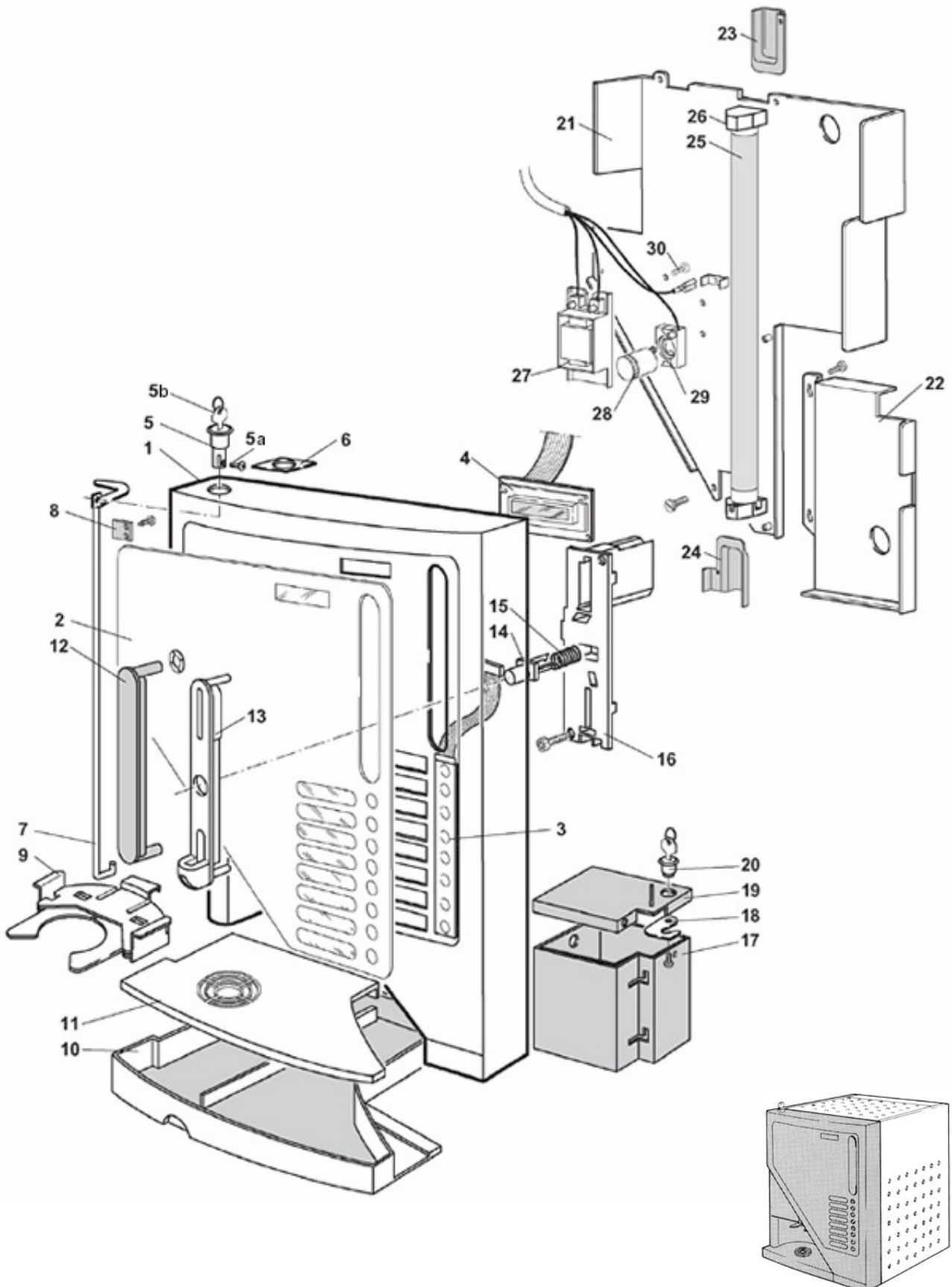


5. Door (till Machine-No. 0201999)**5.2****Article**

Pos.-No.	Description	Article-No.
1	ROUNDED DOOR	0020035105
2	ADHESIVE FRONT PANEL	-----
3	8-KEY KEYBOARD	0020035036
4	DISPLAY	SCH0002660
5	DISPLAY COVER	0020035008
6	TAPPING SCREW TCB 3,5 x 12	VIT0002452
7	BOX 5 RAPID EXTENSION LOCK	SER0000012
7a	SCREW EXTENSION LOCK	VIT0002603
7b	KEY NO. 3102	SER0000327
8	LOCK PLATE	0020035041
9	DOOR LOCK PIN	0020035045
10	PIN STOP PLATE	0020035046
11	CUP SUPPORT	100505
12	WATER COLLECTION TRAY	0020035006
13	WATER COLLECTION TRAY GRATE	0020035007
14	BLACK COIN BOX BLOCKING TAB	0020035029NA
15	BLACK COIN BOX TAB	0020035031NA
16	RED COIN RETURN BUTTON 3020	0020035033KA
17	COIN RETURN BUTTON SPRING	0020035034
18	COIN BOX SUPPORT	0020035032NA
19	PLASTIC COIN DRAWER	0020035123NA
20	PLASTIC COIN DRAWER HOOK	0020035126NA
21	BLACK COIN BOX COVER ASSEMBLY	0020035122NA
22	RAPID BOX LOCK NO. 3430	SER0000015
22a	KEY NO. 3430	SER0000335
*	PLASTIC COVER ASSEMBLY POS. 19 - 22	0020035122R

6. Door (till Machine-No. 03259999)

6.1 Exploded View



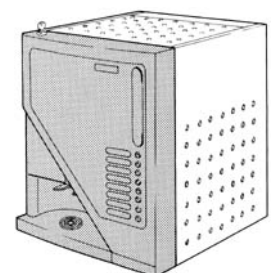
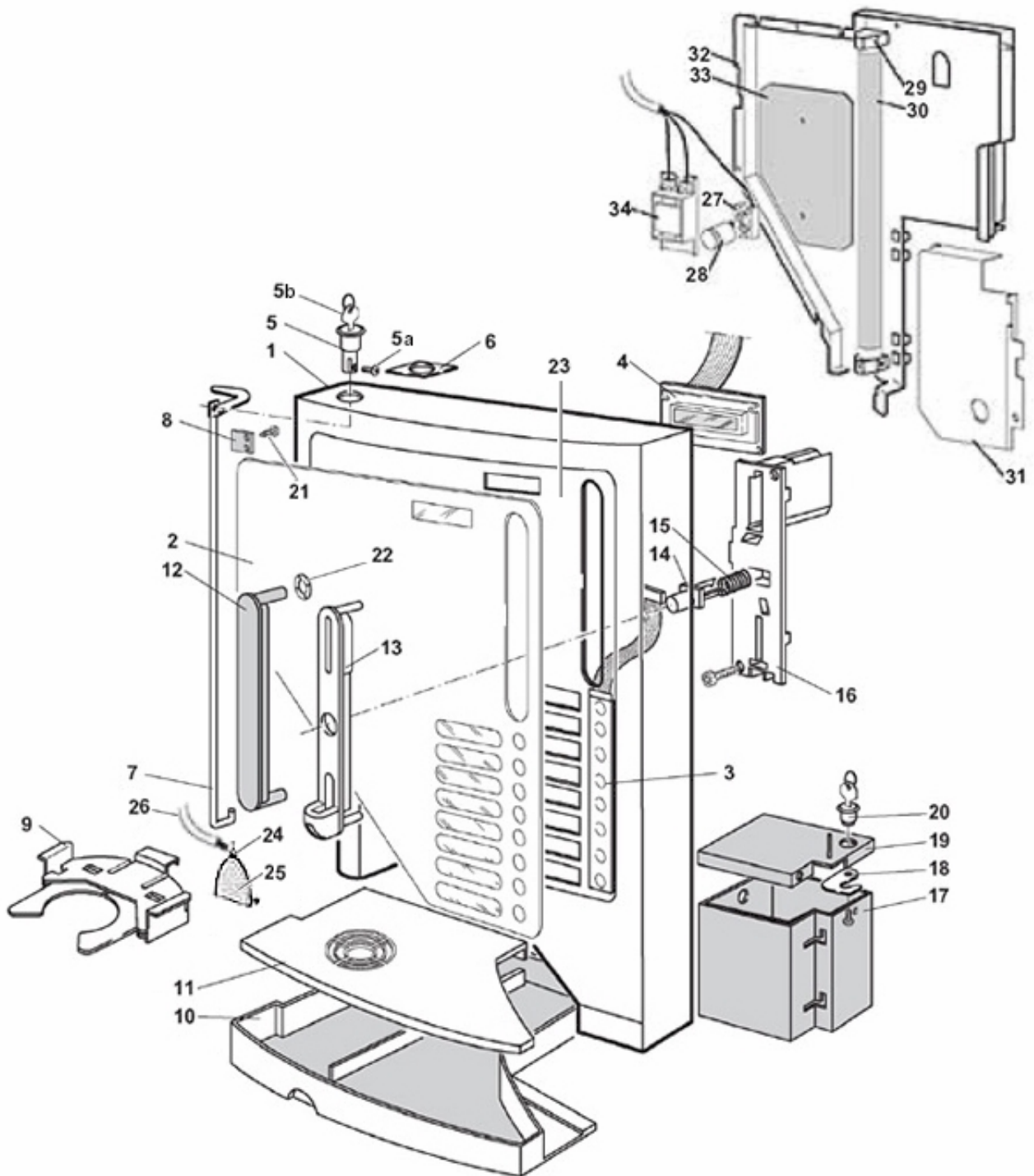
6. Door (till Machine-No. 03259999)**6.2****Article**

Pos.-No.	Description	Article-No.
1	BLACK DOOR	0020035135
2	ADHESIVE FRONT PANEL	-----
3	8-KEY KEYBOARD	0020035036
4	DISPLAY	SCH0002660
5	BOX 5 RAPID EXTENSION LOCK	SER0000012
5a	SCREW EXTENSION LOCK	VIT0002603
5b	KEY NO. 3102	SER0000327
6	LOCK PLATE	0020035041
7	DOOR LOCK PIN	0020035045
8	PIN STOP PLATE	0020035046
9	CUP SUPPORT	100505
10	WATER COLLECTION TRAY	0020035006
11	WATER COLLECTION TRAY GRATE	0020035007
12	BLACK COIN BOX BLOCKING TAB	0020035029NA
13	BLACK COIN BOX TAB	0020035031NA
14	RED COIN RETURN BUTTON 3020	0020035033KA
15	COIN RETURN BUTTON SPRING	0020035034
16	COIN BOX SUPPORT	0020035032NA
17	PLASTIC COIN DRAWER	0020035123NA
18	PLASTIC COIN DRAWER HOOK	0020035126NA
19	BLACK COIN BOX COVER ASSEMBLY	0020035122NA
20	RAPID BOX LOCK NO. 3430	SER0000015
20a	KEY NO. 3430	SER0000335
21	LAMP TRAIL SHEET	0020035141
22	LABEL INSERTION DOOR	0020035143
23	UPPER CABLES PROTECTION	0020035137
24	LOWER CABLES PROTECTION	0020035138
25	L 8 W 20 LAMP	ELE0009018
26	BIPLUG G 13 LAMP HOLDER	ELE0009107
27	220 V BALLAST	ELE0009116
28	STARTER	ELE0009109
29	STARTER HOLDER	ELE0009108
30	SCREW TCB M4 x 7	VIT0000030
*	PLASTIC COVER ASSEMBLY POS. 17 - 20	0020035122R

7. Door (from Machine-No. 03260001)

7.1

Exploded View

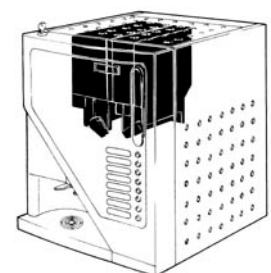
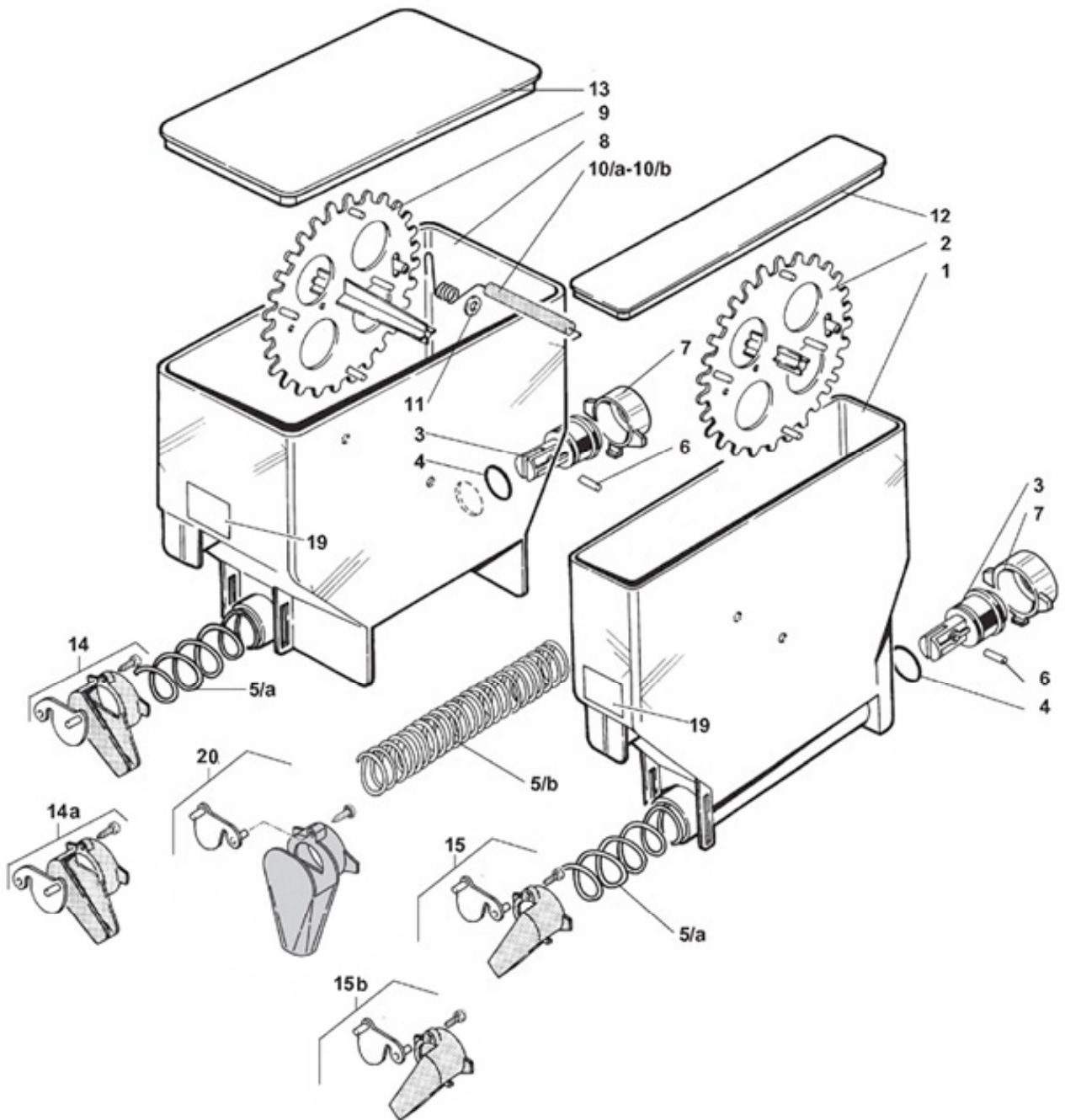


7. Door (from Machine-No. 03260001)

7.2	Article	
Pos.-No.	Description	Article-No.
1	DOOR	0020035205
1a	DOOR SILVER	0020035205CM
2	ADHESIVE FRONT PANEL	-----
3	8-KEY KEYBOARD	0020035036
4	DISPLAY	SCH0005280
5	BOX 5 RAPID EXTENSION LOCK	SER0000012
5a	SCREW EXTENSION LOCK	VIT0002603
5b	KEY NO. 3102	SER0000327
6	LOCK PLATE	0020035041
7	DOOR LOCK PIN	0020035045
8	PIN STOP PLATE	0020035046
9	CUP SUPPORT	100505
10	WATER COLLECTION TRAY	0020035006
10	WATER COLLECTION TRAY SILVER	0020035006CM
11	WATER COLLECTION TRAY GRATE	0020035007
12	BLACK COIN BOX BLOCKING TAB	0020035029NA
13	BLACK COIN BOX TAB	0020035031NA
14	RED COIN RETURN BUTTON 3020	0020035033KA
15	COIN RETURN BUTTON SPRING	0020035034
16	COIN BOX SUPPORT	0020035032NA
17	PLASTIC COIN DRAWER	0020035123NA
18	PLASTIC COIN DRAWER HOOK	0020035126NA
19	BLACK COIN BOX COVER ASSEMBLY	0020035122NA
20	RAPID BOX LOCK NO. 3430	SER0000015
20a	KEY NO. 3430	SER0000335
21	TAPPING SCREW 3,5 x 12	VIT0002452
22	BUSH	VIT0007109
23	TRANSPARENT PANEL DOORCENTRE	0020035206
24	LED RED	ELT0006765
24a	LED BLUE	ELT0006766
24b	LED ORANGE	ELT0006767
24c	LED GREEN	ELT0006768
24d	LED WHITE	ELT0006769
25	LED COVER TRANSPARENT	0020035209
26	CABLE FOR LED	CBLXS00057
27	STARTER HOLDER 16/AL	ELE0009122
28	STARTER S10 4/65W	ELE0009109
29	BIPLUG LAMP HOLDER	ELE0009121
30	L 8 W 20 LAMP	ELE0009018
31	LABEL INSERTION DOOR	0020035208
32	LAMP TRAIL SHEET	0020035207
33	THERMIC PROTECTION PLATE	0020035219
34	220 V BALLAST	ELE0009116
*	PLASTIC COVER ASSEMBLY POS. 17 - 20	0020035122R

8. Product container

8.1 Exploded View



8. Product container

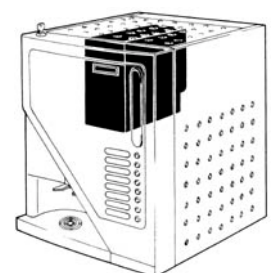
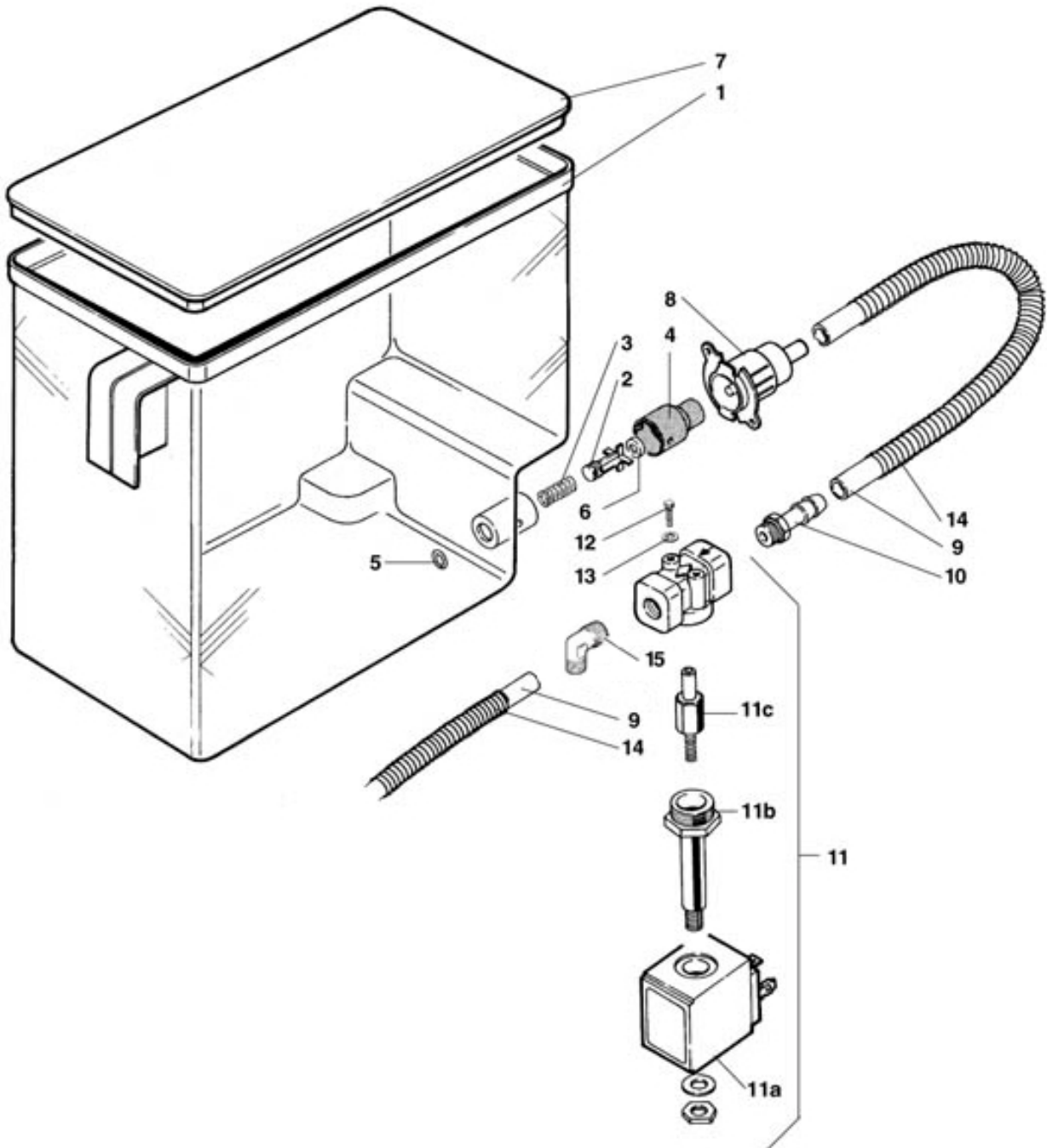
8.2

Article

Pos.-No.	Description	Article-No.
1	PLASTIC INGREDIENT CONTAINER 55 mm	0230030005
2	MIXER GEAR 55 mm	0230030016
3	WORM SCREW PIN	0230030012
4	OR 123	GUA0000083
5a	WORM SCREW P.18	0230030014
5b	WORM SCREW P.9	0230030013
6	ELASTIC PIN D.2 x 14	VIT0005301
7	REAR BUSH	0230030011
8	PLASTIC INGREDIENT CONTAINER 112 mm	0230030008
9	MIXER GEAR 112 mm	0230030015
10a	INGREDIENT MIXER 112 mm R.H. OUTLET	0230030041
10b	INGREDIENT MIXER 112 mm L.H. OUTLET	0230030042
11	STAINLESS STEEL FLAT WASHER D. 8,4 x 14 x 1,6	VIT0003210
12	CONTAINER COVER 54 mm	0230030156
13	CONTAINER COVER 110 mm	0230030158
14	RIGHT CONVEYOR INGREDIENT	0230030017R
14a	RIGHT CONVEYOR INGREDIENT HIGH	0230030044R
15	LEFT CONVEYOR INGREDIENT	0230030018R
15a	LEFT CONVEYOR INGREDIENT HIGH	0230030043R
20	ANTIBRIDGING	0230030019R
*	COMPLETE PLASTIC INGREDIENTS CONTAINER 55mm WITH WORM SCREW P.18	0230030005R
*	COMPLETE PLASTIC INGREDIENTS CONTAINER 55mm WITH WORM SCREW P.9	0230030006R
*	COMPLETE PLASTIC INGREDIENTS CONTAINER 112mm WITH WORM SCREW P.18 R.H. OUTLET	0230030007R
*	COMPLETE PLASTIC INGREDIENTS CONTAINER 112mm WITH WORM SCREW P.18 L.H. OUTLET	0230030009R

9. Water tank

9.1 Exploded View

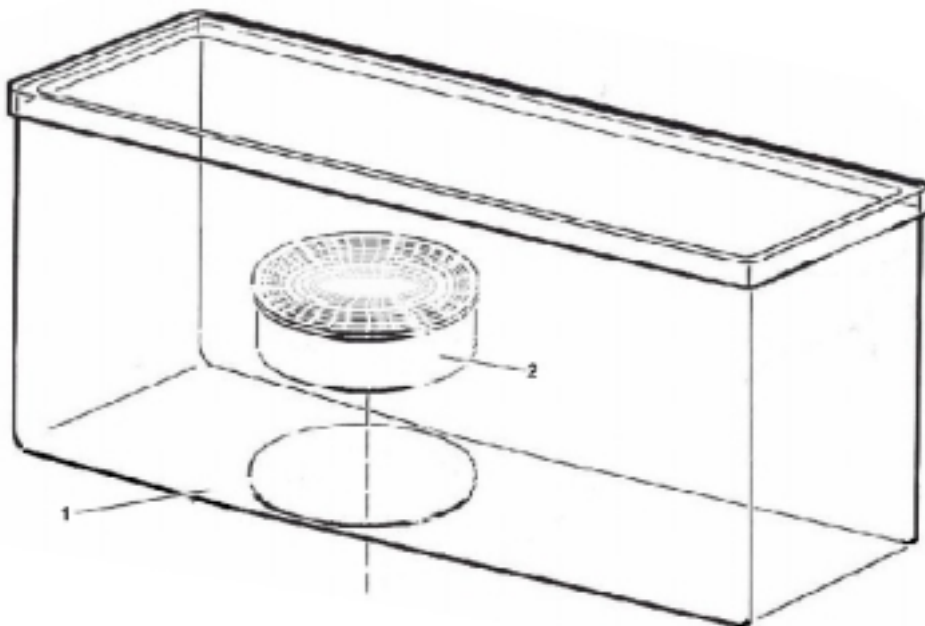


9. Water tank

9.2	Article	
Pos.-No.	Description	Article-No.
1	WATER TANK	0800012005PF
2	WATER TANK CLOSING PIN	0800012009
3	CLOSING PIN SPRING	0800012012
4	TANK CLOSING GASKET SUPPORT	0800012008
5	SILICONE GASKET D.6 CORD 3	GUA0000082
6	SILICONE GASKET DE 062	GUA0002008
7	CONTAINER COVER 112 mm	0230030009
8	FIXED TANK CONNECTION	0800012015
9	TRANSPARENT SILICON PIPE	TSIL07/11T
10	RUBBER HOLDER DIR. D.10-1/4 M	0100217009
11	24 D.C. 2-WAY VALVE 1/4" D. 4.5	0110001078
11a	8W 24 D.C. COIL	0110010065
11b	SLEEVE FOR 2-WAY VALVE D. 4.5	0110010101
11c	CORE WITH SPRING FOR 2-WAY VALVE D. 4.5	0110010102
12	SCREW TE M4 x 10	VIT0000205
13	WASHER D. 12 x 4,3 x 1,5	VIT0003301
14	PIPE SPRING	0010020063
15	ELBOW 1/4"	0600001036
*	AUTONOMUS WATER TANK (POS. 1 – 7)	0800012010R

10. Tank in tank

10.1 Exploded View



10. Tank in tank

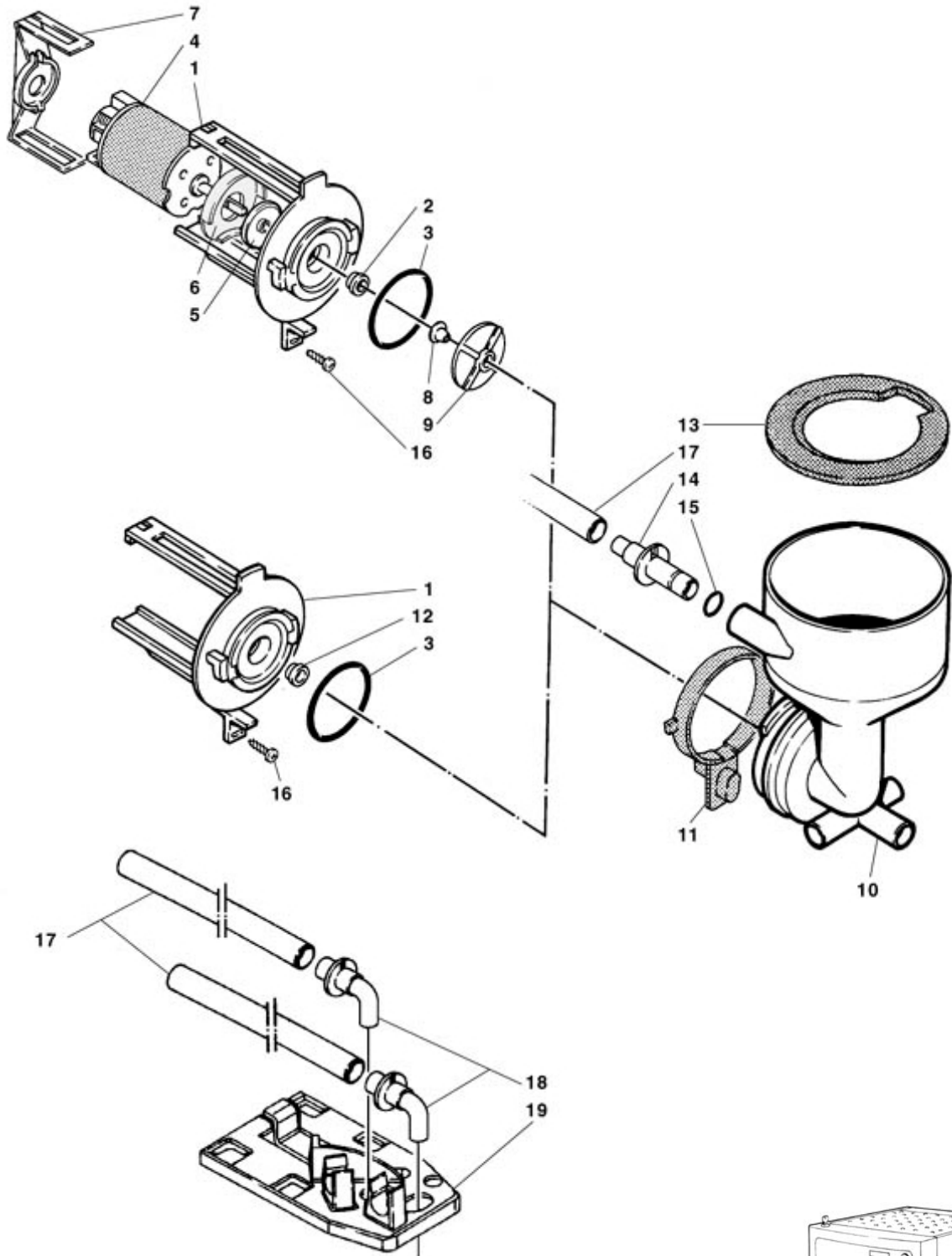
10.2

Article

Pos.-No.	Description	Article-No.
Pos.-Nr.	Artikelbezeichnung	Artikel-Nr.
1	FILTERTANK WITHOUT CARTRIDGE	799039
2	FILTER CARTRIDGE	799038
*	THE FILTER CARTRIDGE SHOULD BE CHANGED AFTER 1500 SERVINGS (200L) OR MONTHLY.	

11. Mixing bowl

11.1 Exploded View



11. Mixing bowl

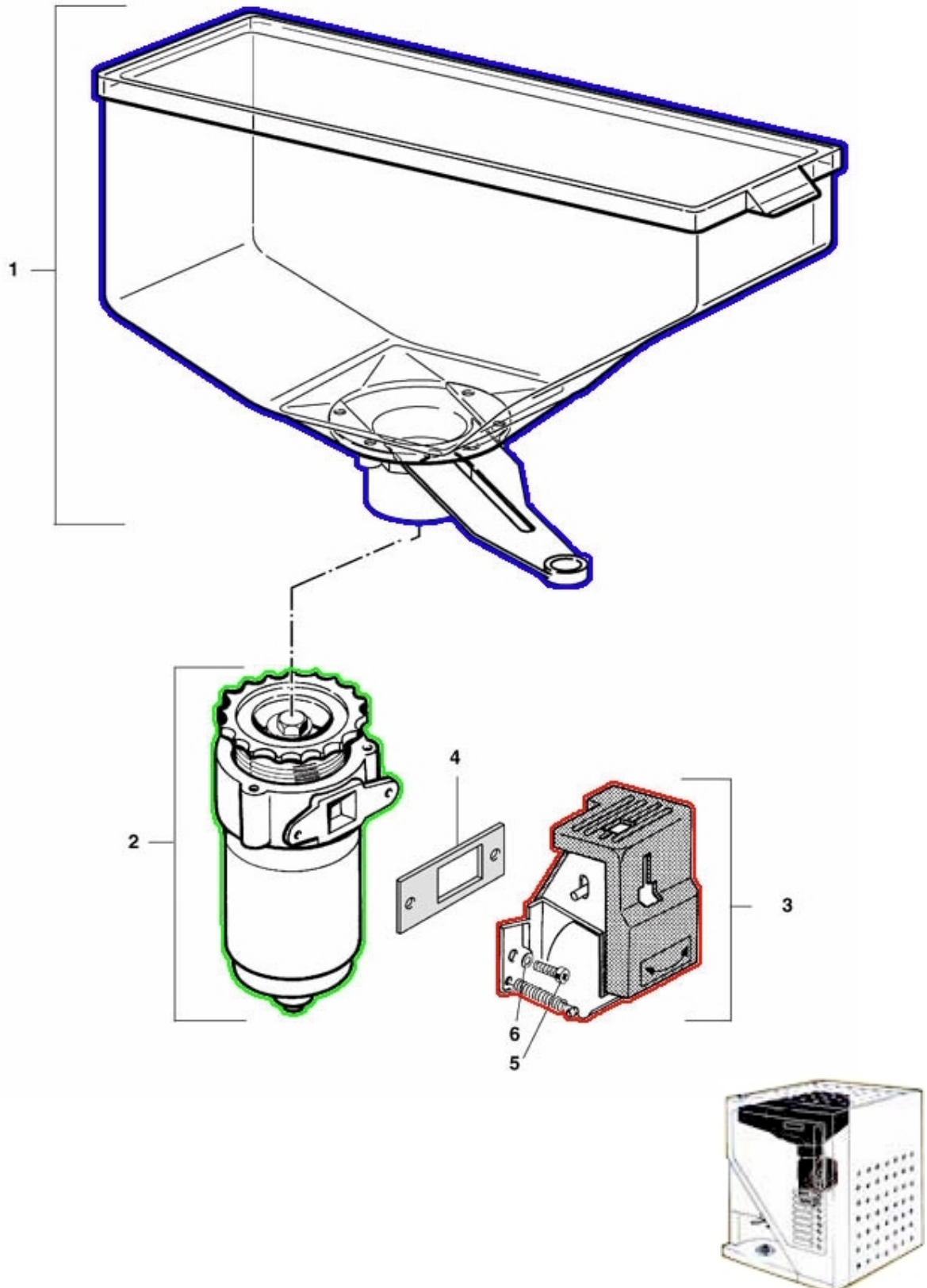
11.2

Article

Pos.-No.	Description	Article-No.
1	MIXER BASE	0080100005
2	MIXER BASE BUSH	0080100015
3	OR 3131	GUA0000084
4	24 V DC MIXER MOTOR SHAFT D.4	0090003023
5	DRIP TRAP FAN	0080100023
6	MIXER COVER	0080100024
7	MOTOR HOUSING CONNECTION	0080100009
8	MIXER SHAFT GASKET D.4	0080100014
9	SMALL FAN MIXER SHAFT D.4	0080100011
10	MIXER BODY WITH TRAY	0080100007
11	STOPPER RING	0080100006
12	MIXER BASE PLUG	0080100018
13	TRAY RING	0080100008
14	MIXER CONNECTION	0080100013
15	SILICONE OR 106	GUA0000085
16	TAPPING SCREW TCB 3,5 x 9,5	VIT0002401
17	TRANSPARENT SILICONE PIPE D.6 x 9	TSIL06/09T
18	INGREDIENT PIPE	0010020052
19	PIPES SUPPORT	0010020051
*	MIXER MOTOR COMPLETE (POS. 1 – 9)	0080100001R
*	MIXERBODY COMPLETE (POS. 10 – 11)	0080100007R

12. Coffee group

12.1 Exploded View

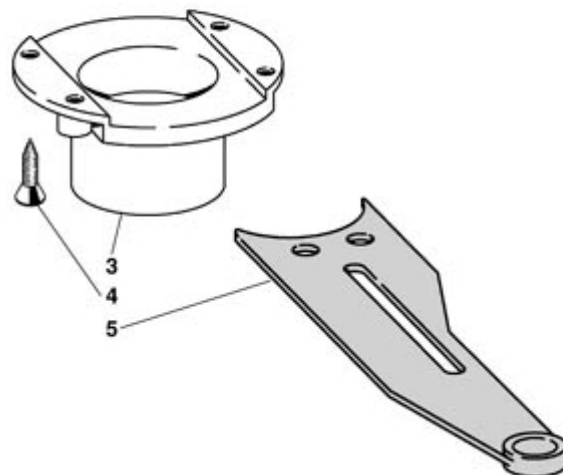
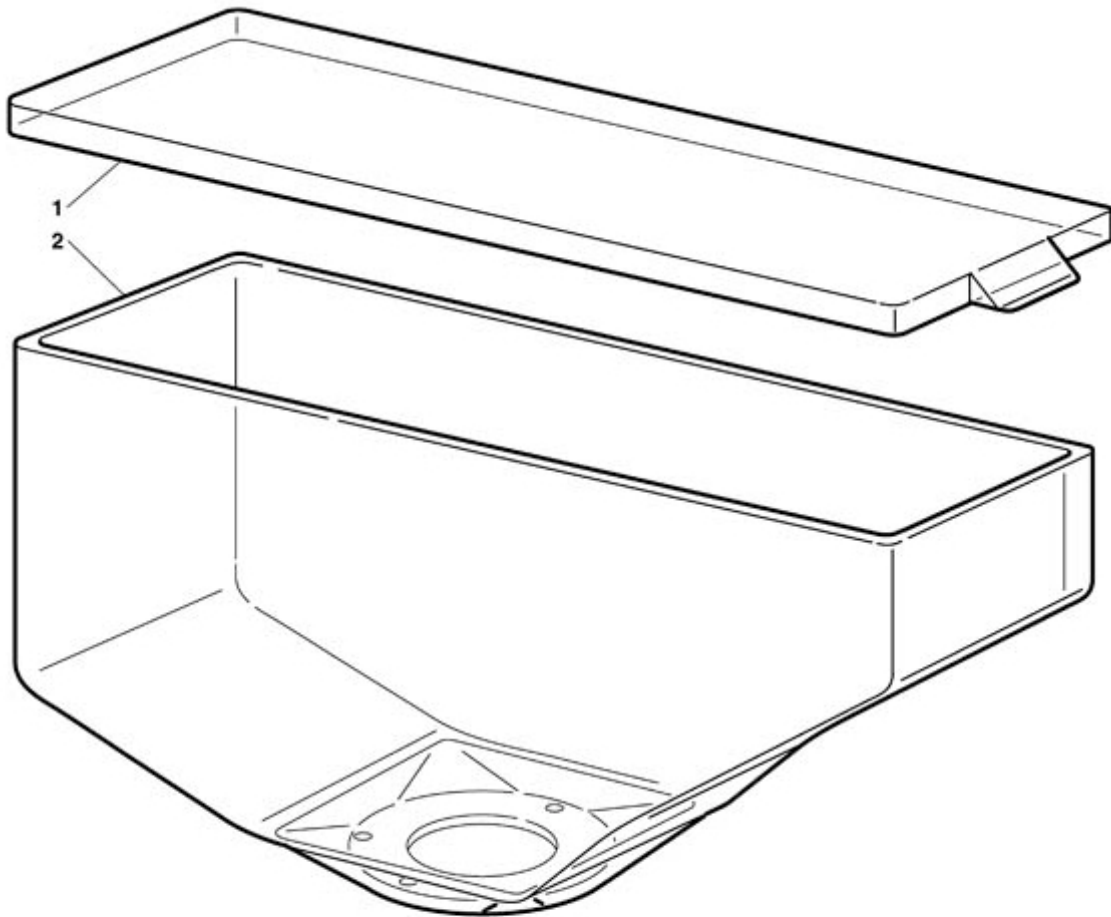


12. Coffee group**12.2 Article**

Pos.-No.	Description	Article-No.
1	COFFEE CONTAINER COMPLETE TRANSPARENT	0230015150CL
1a	COFFEE CONTAINER COMPLETE UNPOLISHED	0230015158R
2	E MILL ASSEMBLY	0320004150CL
3	24 V DC COFFEE PLASTIC BATCHER W/SETTING	0350003110CL
4	MILL-BATCHER PLATE	0320004141
5	M 4x12 TCB SCREW	VIT0000013
6	WASHER tab D. 4,3	VIT0003103

13. Coffee container

13.1 Exploded View



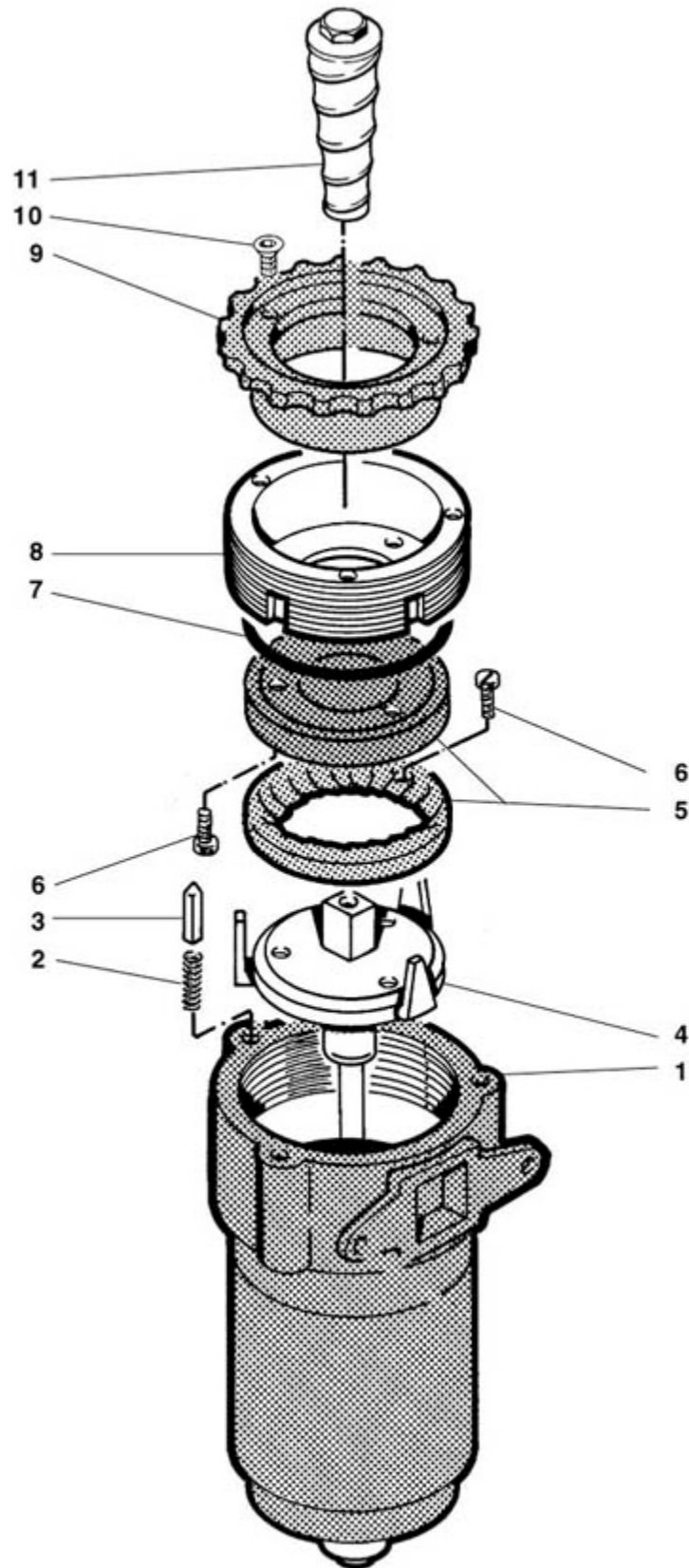
13. Coffee container**13.2****Article**

Pos.-No.	Description	Article-No.
1	COFFEE CONTAINER COMPLETE TRANSPARENT	0230015153
1a	COFFEE CONTAINER COMPLETE UNPOLISHED	0230015159
2	COFFEE CONTAINER TRANSPARENT	0230015151
2a	COFFEE CONTAINER UNPOLISHED	0230015158
3	COFFEE CONTAINER BOTTOM	0230015066
4	3,5 x 12 STAINLESS STEEL TAPPING TCB SCREW	VIT0002101
5	COFFEE CONTAINER BLADE	0230015072

14. Grinder

14.1

Exploded View



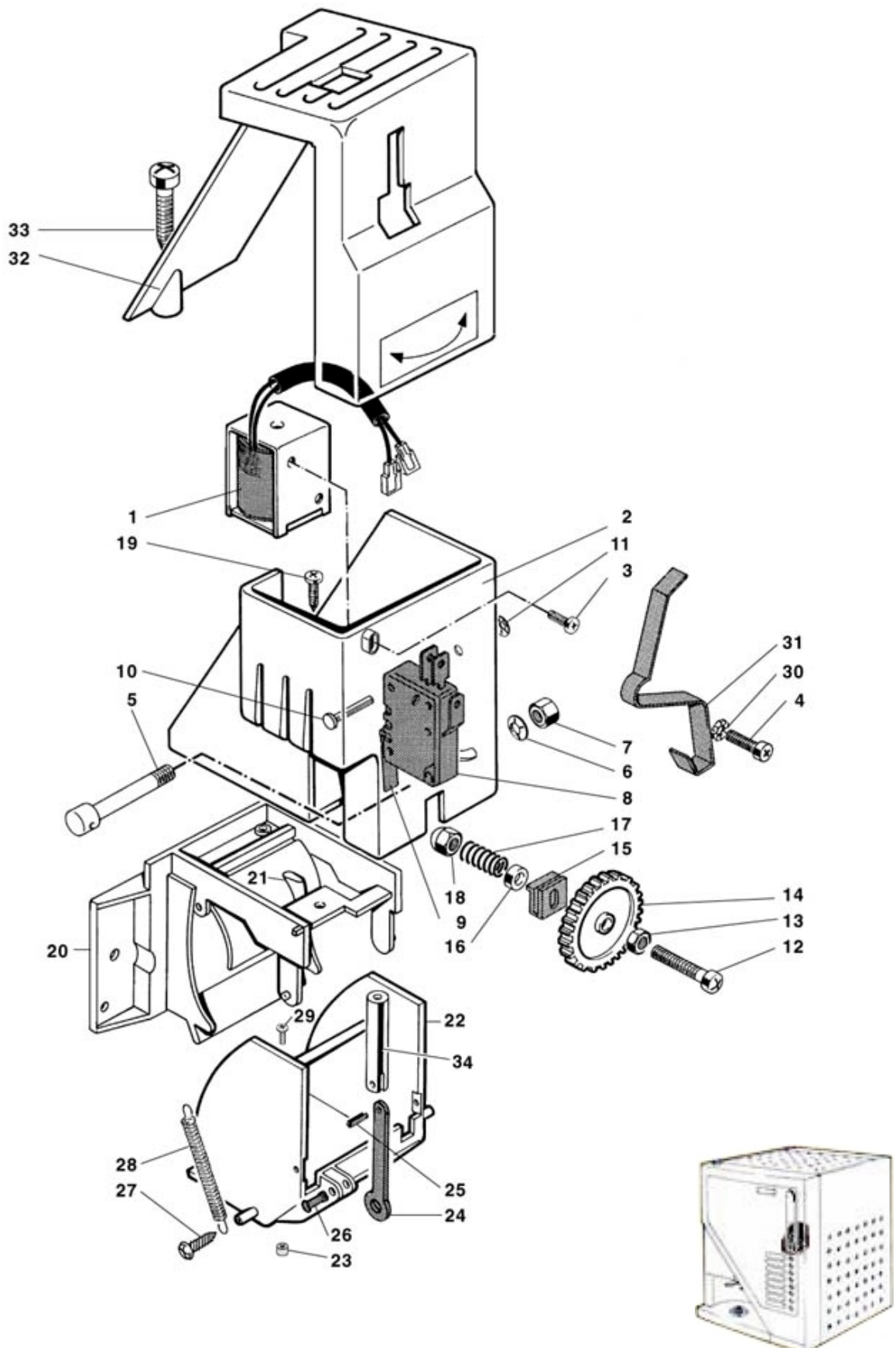
14. Grinder

14.2 Article

Pos.-No.	Description	Article-No.
1	MOTOR WITH GRINDER	0090002095
2	DOOR SWITCH SPRING	270001023
3	COMPENSATING PIN	0320002011
4	LOWER GRINDER SUPPORT	0320004107
5	D.54 TYPE 4 GRINDER COUPLE	0090003020
6	M4 x 8 TCB SCREW	VIT0000024
7	3225 OR	GUA000060
8	UPPER GRINDER SUPPORT	0320004109
9	GRINDER SUPPORT RING NUT	0320004112
10	M 3x10 TSP SCREW	VIT0000102
11	LOWER GRINDER SUPPORT WORM SCREW	0320004116
*	E MILL ASSEMBLY	0320004150CL

15. Portioning unit

15.1 Exploded View



15. Portioning unit

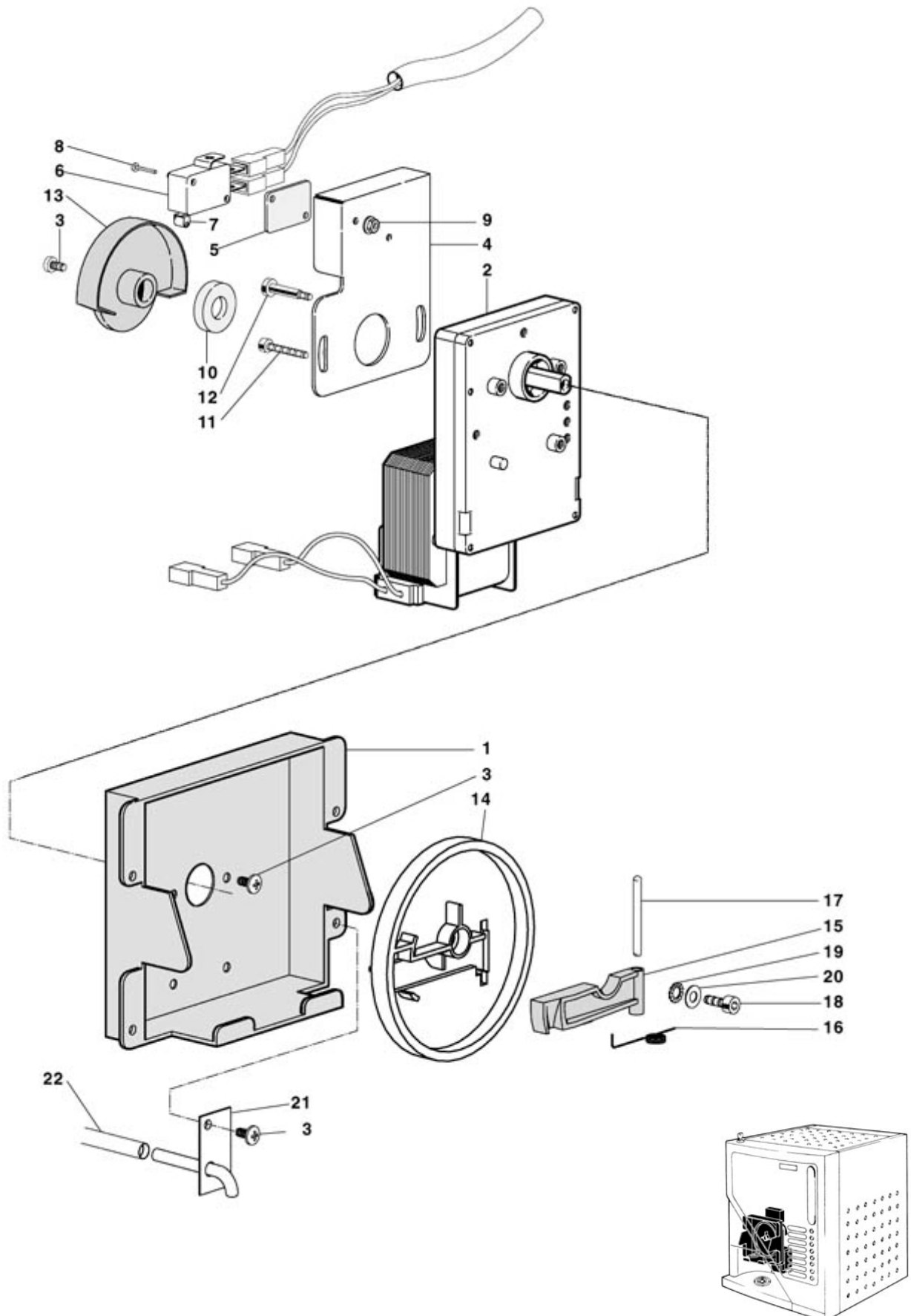
15.2

Article

Pos.-No.	Description	Article-No.
1	24V DC ELECTROMAGNET W/CABLES	ELE0000056
2	ELECTROMAGNET SUPPORT	0350003108
3	M3 x 14 TCB SCREW	VIT0000028
4	M3 x 12 TCB SCREW	VIT0000005
5	SETTING PIN	0350003114
6	D. 3,2 x 8 x 0,4 SPRING	VIT0009161
7	M3 SELFLOCKING NUT	VIT0004814
8	1-WAY 16 A 250 V MICROSWITCH	ELE0001522
9	MICRO LEVER	0350003121
10	ROTATION PIN	0350003112
11	D.3 BENZING QUICKLOCK	VIT0007101
12	M 3 x 30 TCB SCREW	VIT0000009
13	NUT M3	VIT0004502
14	WEIGHT SETTING WHEEL	0350003113
15	CONNECTION TO BE TIGHTENED	0350003122
16	MICRO SPACER	7500102053
17	SETTING SPRING	0350003115
18	M3 CAP NUT	VIT0004813
19	2,9 x 9,5 TAPPING TCB SCREW	VIT0002011
20	BATCHER BODY	0350003105
21	BLADE	0350003106
22	COFFEE FEEDER	0350003107
23	SHAKER	0350003302
24	ELECTROMAGNETIC CONNECTION ROD	0350003109
25	2 x 8 STAINLESS STEEL ELASTIC PIN	VIT0005009
26	PIN	0350003111
27	2,9 x 6,5 TAPPING TCB SCREW	VIT0002001
28	RETURN SPRING	0350003116
29	M 4x8 INOX TCB SCREW	VIT0000032
30	WASHER tab D. 3,2	VIT0003102
31	BATCHER LOCK	0350003119
32	COVER	0350003128
33	TAPPING SCREW TCB 3,5 x 12	VIT0002452
34	STUD	0350003118

16. Brewer motor (till Machine-No. 03109999)

16.1 Exploded View

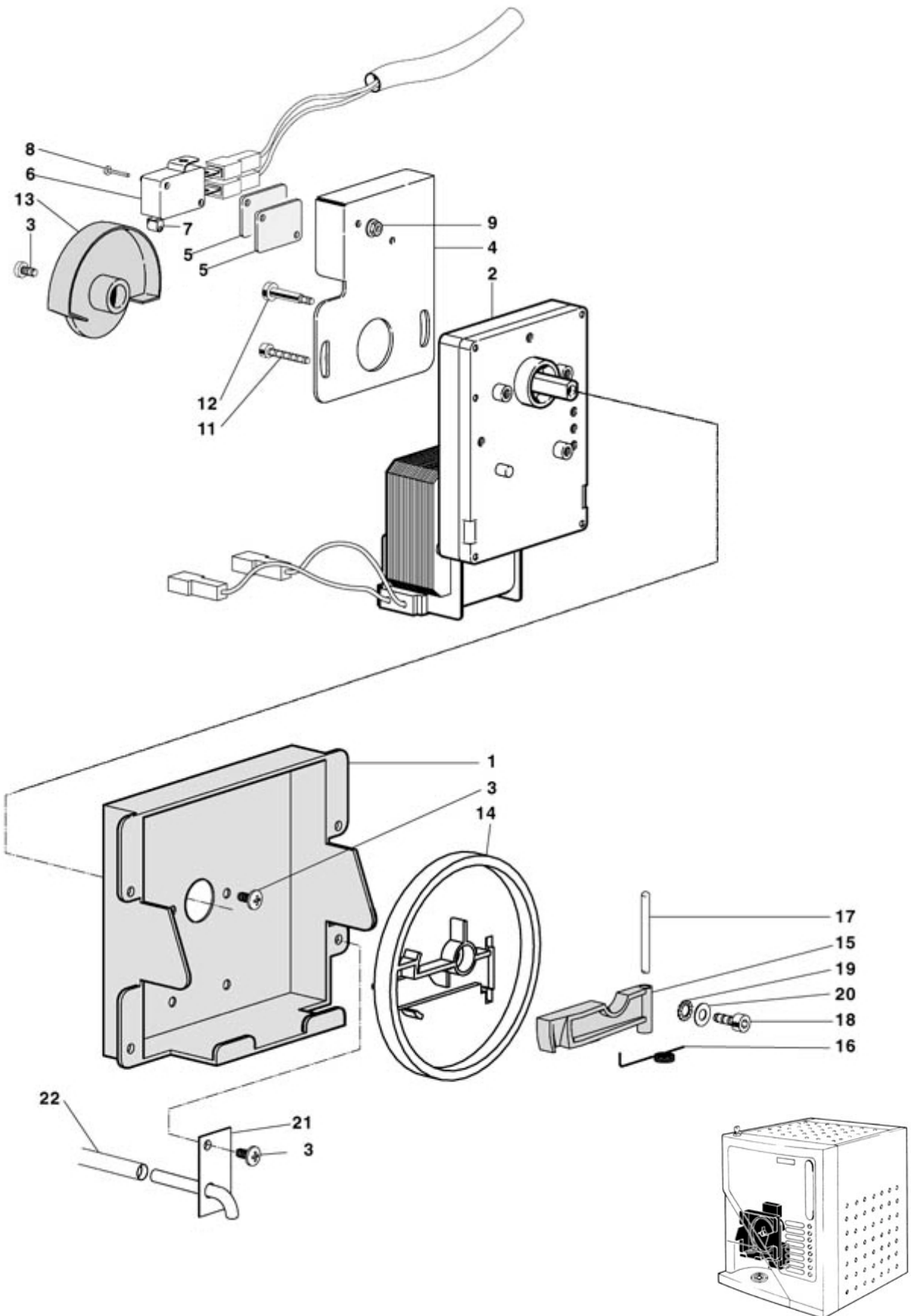


16. Brewer motor (till Machine-No. 03109999)**16.2****Article**

Pos.-No.	Description	Article-No.
1	MICRO GROUP MOTOR SUPPORT	0260010102
2	MICRO GROUP MOTOR	0090002182
3	SCREW TCB M4 x 7	VIT0000030
4	MICRO PLATE	0250008093
5	MICRO SPACER	4600010014
6	1 WAY 0,1A 250V MICROSWITCH	ELE0001510
7	MICRO LEVER	ELE0001904
8	M 3 x 16 TCB SCREW	VIT0000006
9	M 3 FR NUT	VIT0004701
10	MICRO SPACER	0250008091
11	M 4 SPECIAL SCREW	0250008092
12	M 4 x 25 TCEI SCREW	VIT0005521
13	GROUP READER DISK	0250008043
14	MOTOR CRANK	0250008012
15	HOOKING LEVER	0250008034
16	SPRING FOR HOOKING LEVER	0250008059
17	4 x 8 CYLINDRICAL PIN	VIT0005205
18	M 4 x 12 TCEI SCREW	VIT0005508
19	WASHER tab D. 4,3	VIT0003103
20	WASHER D. 8 x 4,3 x 0,8	VIT0003003
21	PIPE WITH PLATE	0010020147
22	TRANSPARENT SILICONE PIPE D. 7 x 11	TSIL07/11T

17. Brewer motor (from Machine-No. 03110001)

17.1 Exploded View

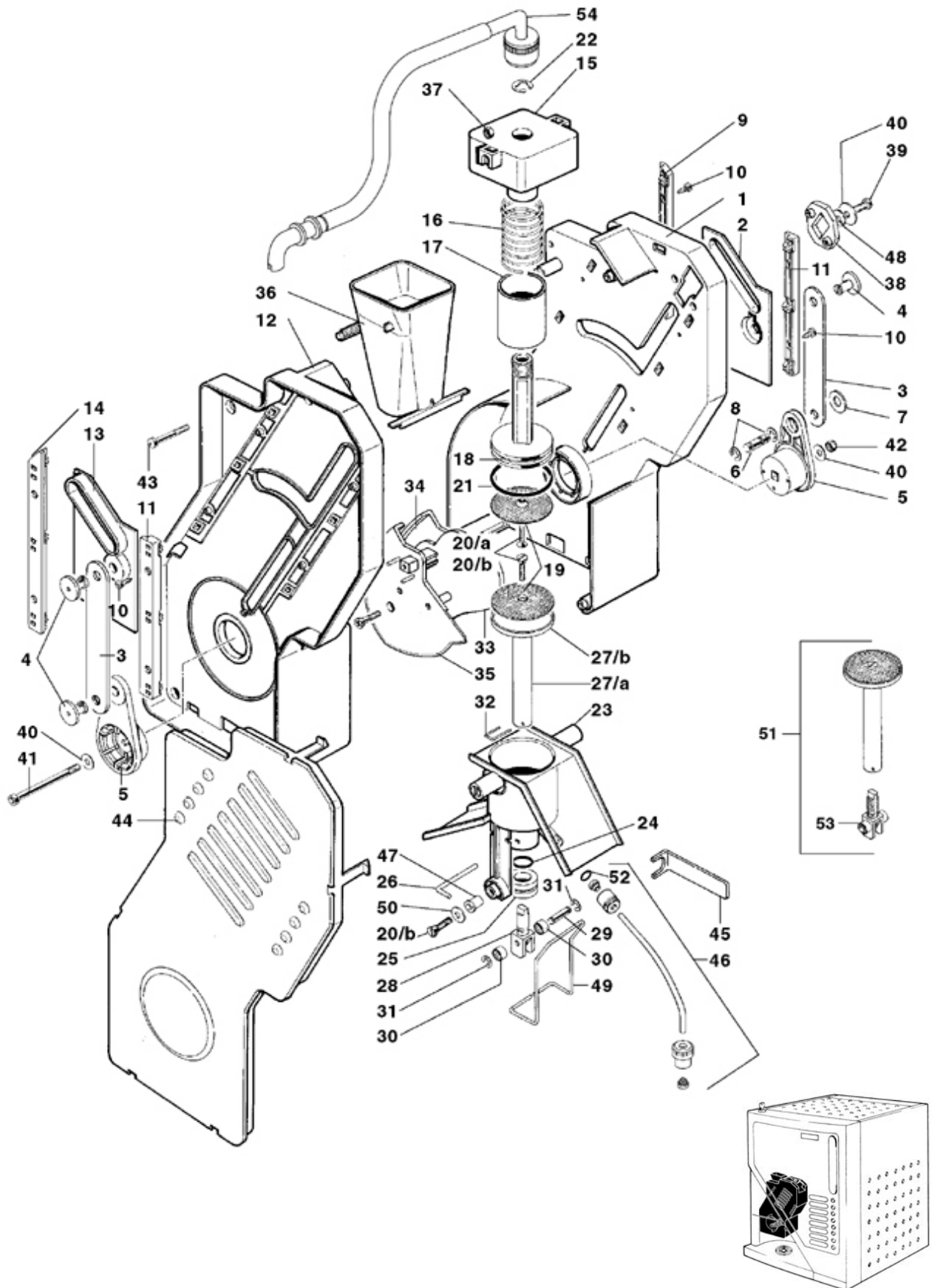


17. Brewer motor (from Machine-No. 03110001)**17.2****Article**

Pos.-No.	Description	Article-No.
1	MICRO GROUP MOTOR SUPPORT	0260010102
2	MICRO GROUP MOTOR	0090002186
3	SCREW TCB M4 x 7	VIT0000030
4	MICRO PLATE	0250008093
5	MICRO SPACER	4600010014
6	1 WAY 0,1A 250V MICROSWITCH	ELE0001510
7	MICRO LEVER	ELE0001904
8	M 3 x 16 TCB SCREW	VIT0000006
9	M 3 FR NUT	VIT0004701
11	M 4 SPECIAL SCREW	0250008113
12	M 4 x 10 TCEI SCREW	VIT0005511
13	GROUP READER DISK	0250008043
14	MOTOR CRANK	0250008012
15	HOOKING LEVER	0250008034
16	SPRING FOR HOOKING LEVER	0250008059
17	4 x 8 CYLINDRICAL PIN	VIT0005205
18	M 4 x 12 TCEI SCREW	VIT0005508
19	WASHER tab D. 4,3	VIT0003103
20	WASHER D. 8 x 4,3 x 0,8	VIT0003003
21	PIPE WITH PLATE	0010020147
22	TRANSPARENT SILICONE PIPE D. 7 x 11	TSIL07/11T

18. Micro brewer

18.1 Exploded View



18. Micro brewer

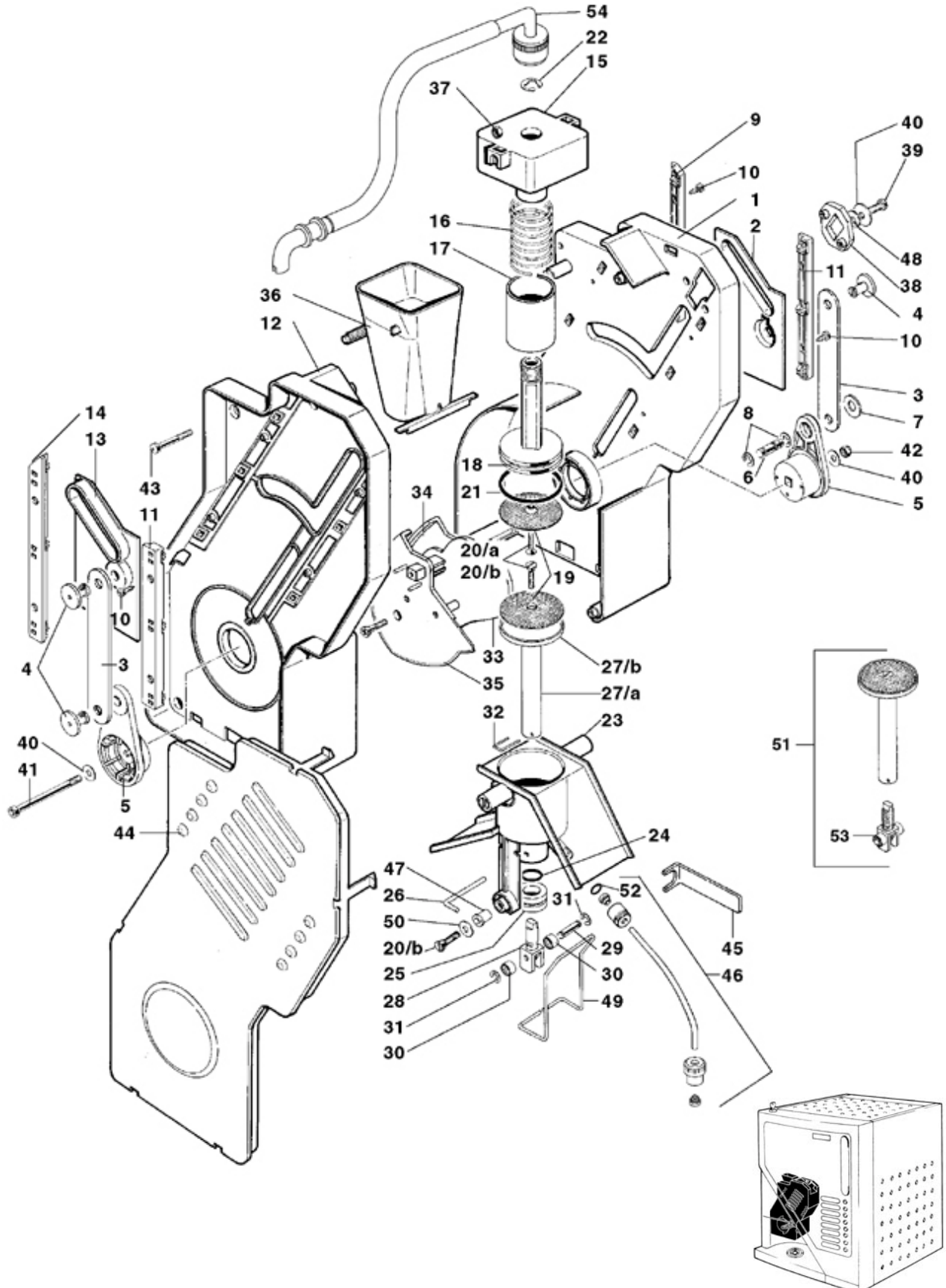
18.2

Article

Pos.-No.	Description	Article-No.
1	R.H. FRAME	0250008005
2	R:H. INFUSION CHAMBER CAM	0250008084
3	CONNECTING ROD	0250008009
4	PIN FOR CONNECTING ROD	0250008028
5	R.H. CRANK	0250008011
6	MOTOR CRANK PIN	0250008014
7	ANTIVIBRATION WASHER	0250008042
8	D.5 RADIAL STOP RING	VIT0006515
9	R.H. REAR GUIDE	0250008031
10	3,5 x 6,5 STAINLESS STEEL TAPPING TCB SCREW	VIT0002026
11	FRONT GUIDE	0250008033
12	L.H. FRAME	0250008006
13	L.H. INFUSION CHAMBER CAM	0250008085
14	L.H. REAR GUIDE	0250008032
15	UPPER FILTER SUPPORT	0250008086
16	UPPER FILTER SPRING	0250008024
17	SPRING COVER PIPE	0250008087
18	D.36 UPPER FILTER	0250008026
19	FILTER	0250008019
20/a	M3 x 14 TSP SCREW	VIT0001202
20/b	M3 x 8 TSP SCREW	VIT0000121
21	SILICONE 4112 OR	GUA0000080
22	RADIAL STOP RING 8 mm STAINLESS STEEL	VIT00006513
23	INFUSION CHAMBER	0250008046
24	SILICONE OR 112	GUA0000065
25	LOWER INLET CUP BUSH	0250008053
26	GLASS BUSH PIN	0250008029
27a	FILTER SUPPORT SHIFT	0250008082
27b	LOWER FILTER	0250008081
28	LOWER FILTER ROLL SUPPORT	0250008106
29	ROLL SHAFT PIN	0250008021
30	ROLL SHAFT	0250008022
31	D. 3,2 RADIAL STOP RING	VIT0006516
32	LOWER FILTER PIN	0250008027
33	FILTER EJECTION CAM	0250008083
34	R.H. FILTER RECOVERY CAM	0250008016
35	L.H. FILTER RECOVERY CAM	0250008017
36	COFFEE CONE	0250008036
37	STAINLESS STEEL NUT M4	VIT0004803
38	SETTING PLATE	0250008035
39	M4 x 8 INOX TCB SCREW	VIT0000032
40	4,3 x 15 x 1,5 STAINLESS STEEL FLAT WASHER	VIT0003309
41	M4 x 10 STAINLESS STEEL TCEI SCREW	VIT0005523

18. Micro brewer

18.3 Exploded View



18. Micro brewer

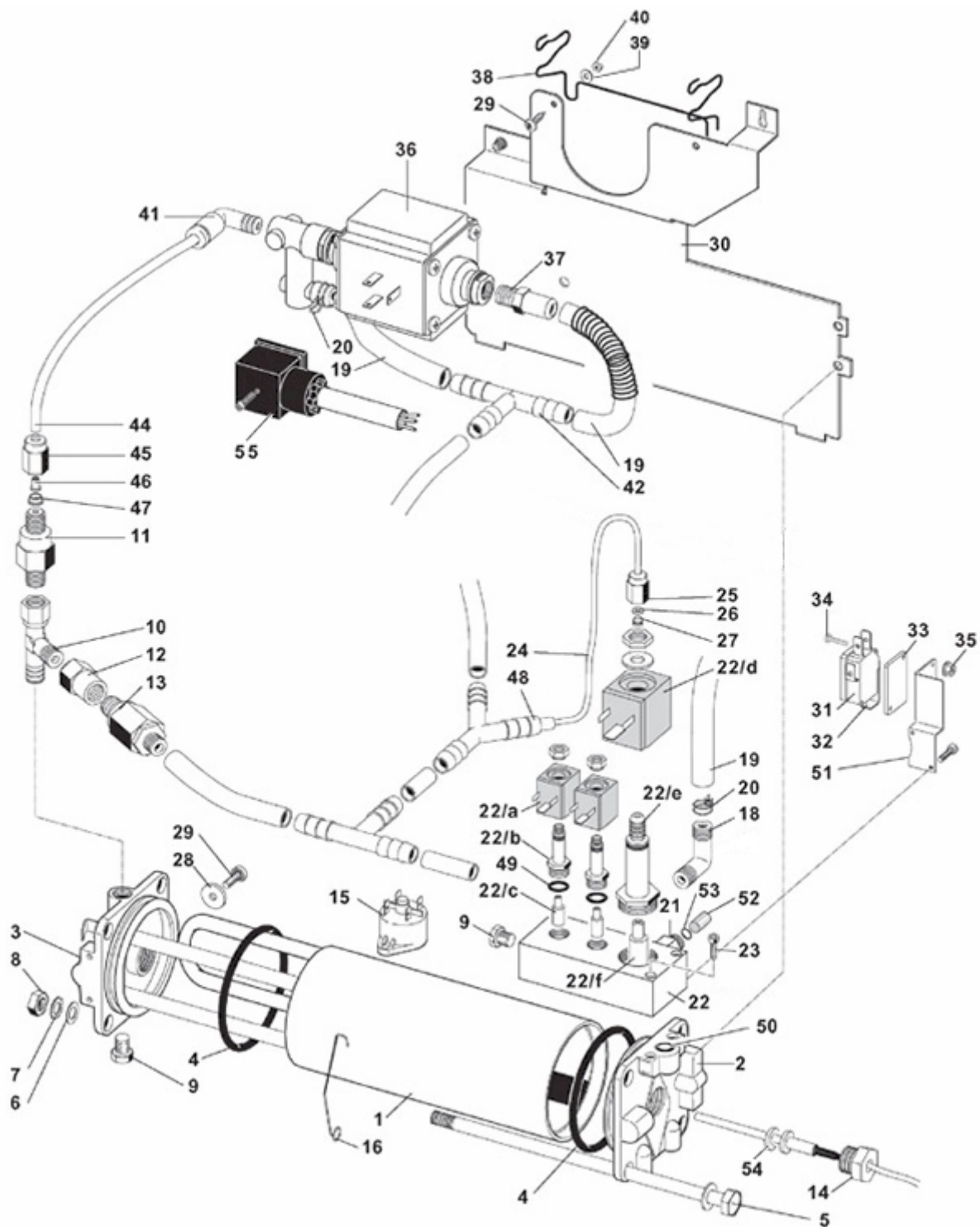
18.4

Article

Pos.-No.	Description	Article-No.
42	M4 SELFLOCKING NUT	VIT0004810
43	SCREW TCCRT 4,2 x 26	VIT0002461
44	L.H. FRAME COVER	0250008039
45	KEY FOR NUT	0250008048
46	WATER INLET PIPER ASSEMBLY	0250008110CL
47	M3 CONNECTION FOR THERMOPLASTIC	VIT0009203
48	GROWER SPRING WASHER	VIT0003451
49	SCRAPER	0250008094
50	WASHER FOR CHAMBER CAM	0250008088
51	D.36 LOWER FILTER + ROLL SUPPORT ASSEMBLY	0250008109R
52	2010 VITON OR	GUA0000061
53	LOWER FILTER ROLL SUPPORT	0250008107R
54	COFFEE OUTLET PIPE ASSEMBLY	0250008070CL
*	D.36 LOWER FILTER (POS. 19, 27a, 27b)	0250008108R
*	D.36 UPPER FILTER ASSEMBLY (POS. 18 – 21)	0250008026R
*	MICRO COFFEE GROUP	0250008001CL

19. Pressure boiler

19.1 Exploded View



19. Pressure boiler

19.2

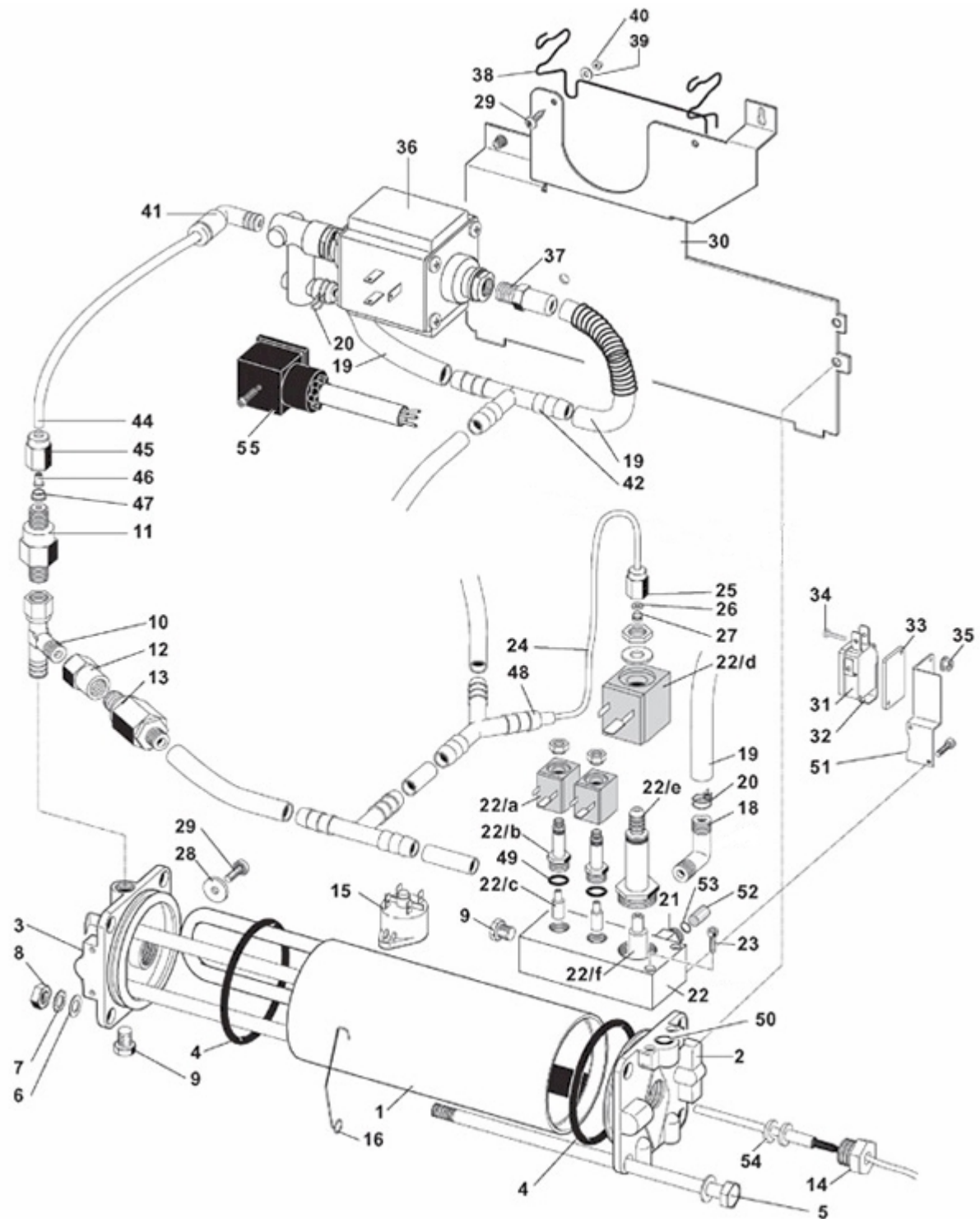
Article

Pos.-No.	Description	Article-No.
1	JACKET MM 150	0600012514
2	FLANGE FOR VALVE	0600012671
3	FLANGE WITH HEATING ELEMENT	0600012701
4	164 VITON OR	GUA0000047
5	TIE BOLT MM 177	0600012515
6	D. 8,4 x 14 x 1,6 WASHER	VIT0003206
7	D. 8,4 GROWER SPRING WASHER	VIT0003402
8	M8 NUT	VIT0004506
9	PLUG 1/8"	4600020115
10	MALE T UNION 1/8"	0100001028
11	INLET NON RETURN VALVE 1/8"	0110002008
12	ADAPTER 1/8"	0100001007
13	SAFETY VALVE 1/8"	0110002009
14	PROBE	ELE0000969R
15	120° CLICSON	ELE0009001
16	SAFETY SWITCH SECURING SPRING	250020087
18	ELBOW CONNECTION 1/8"	250020146
19	TRANSPARENT SILICON PIPE D. 6 x 9	TSIL06/09T
20	PIPES CLIP 6 x 9	FASC000101
21	OUTLET CONNECTION H2O 3-WAY VALVE	0110003056
22	2 2-WAY VALVE + 1 3-WAY VALVE	0110001087
22a	5W 24 D.C. COIL	0110010062
22b	PLUNGER GUIDANCE	0110010123
22c	PLUNGER WITH SPRING	0110010124
22d	8W 24 D.C. COIL	0110010076
22e	PLUNGER GUIDANCE	0110010075
22f	PLUNGER WITH SPRING	0110010074
23	M4 x 16 TCEI SCREW	VIT0005510
24	D.4 x 2 PIPE	TNAY000501
25	NUT FOR 1/8" PIPE FITTING	0100001001
26	D.4 LOCKING RING	0100002001
27	COPPER GASKET	0100003002
28	SYNTHETIC RUBBER D.4.5 SPACER	1600001098
29	SCREW TCB M4 x 7	VIT0000030
30	BOILER SUPPORT	0010020411
31	1-WAY 0,1A 250V MICROSWITCH	ELE0001522
32	BENT MICRO LEVER	0010020412
33	MICRO SPACER	4600010014
34	M3 x 16 TCB SCREW	VIT0000006
35	M3 FR NUT	VIT0004701
36	"AP" PUMP	0110004002
37	VALVE RUBBER-HOLDER CONNECTION	2500001139
38	PUMP SUPPORT	0110004020

19. Pressure boiler

19.3

Exploded View



19. Pressure boiler

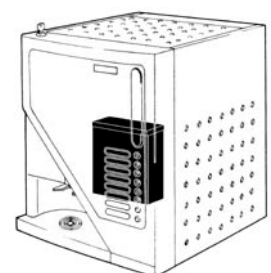
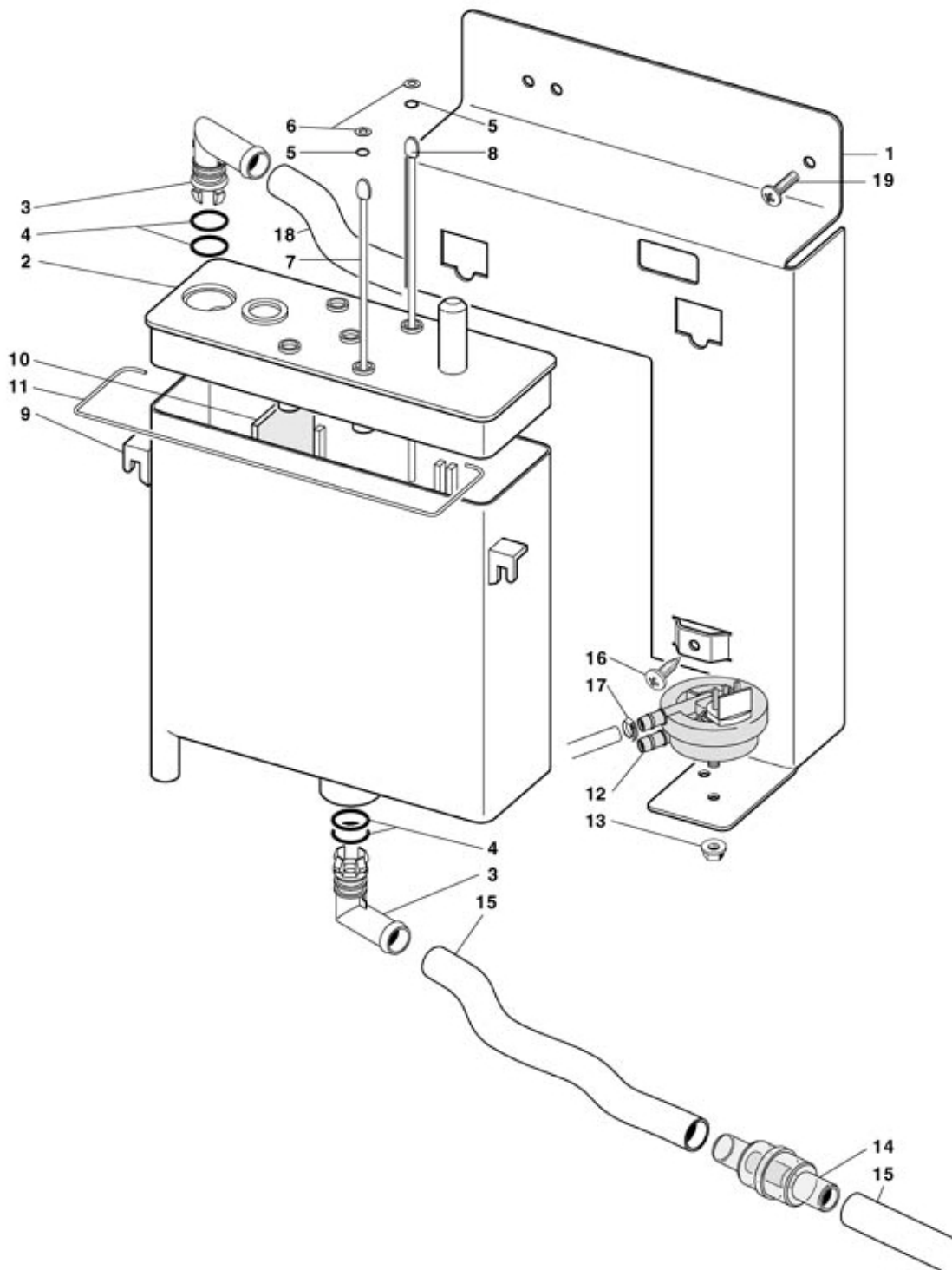
19.4

Article

Pos.-No.	Description	Article-No.
39	WASHER D. 12 X 4,3 X 1,5	VIT0003301
40	NUT M 4	VIT0004503
41	TURNING ELBOW 1/4" VITON OR	0100001056
42	TEE UNION	0100003003
44	D.6 x 4 POLYAMIDE PIPE	TNAY000001
45	NUT FOR PIPE FITTING 1/8"	0100001002
46	STRENGTHENING BUSH D.4	0100002005
47	LOCKING RING D.6	0100002002
48	"Y" FITTING	0100001065
49	OR R 990597/N	0110010111
50	OR R 990002/S	0110010112
52	OR SPACER	0110003057
53	2015 OR	GUA0000069
54	TEFLON SEAL	GUA0005015
55	PUMP PLUG	ELE0060094
*	BOILER MM 150 (POS. 1-14)	0600012710R

20. Soluble tank

20.1 Exploded View



20. Soluble tank

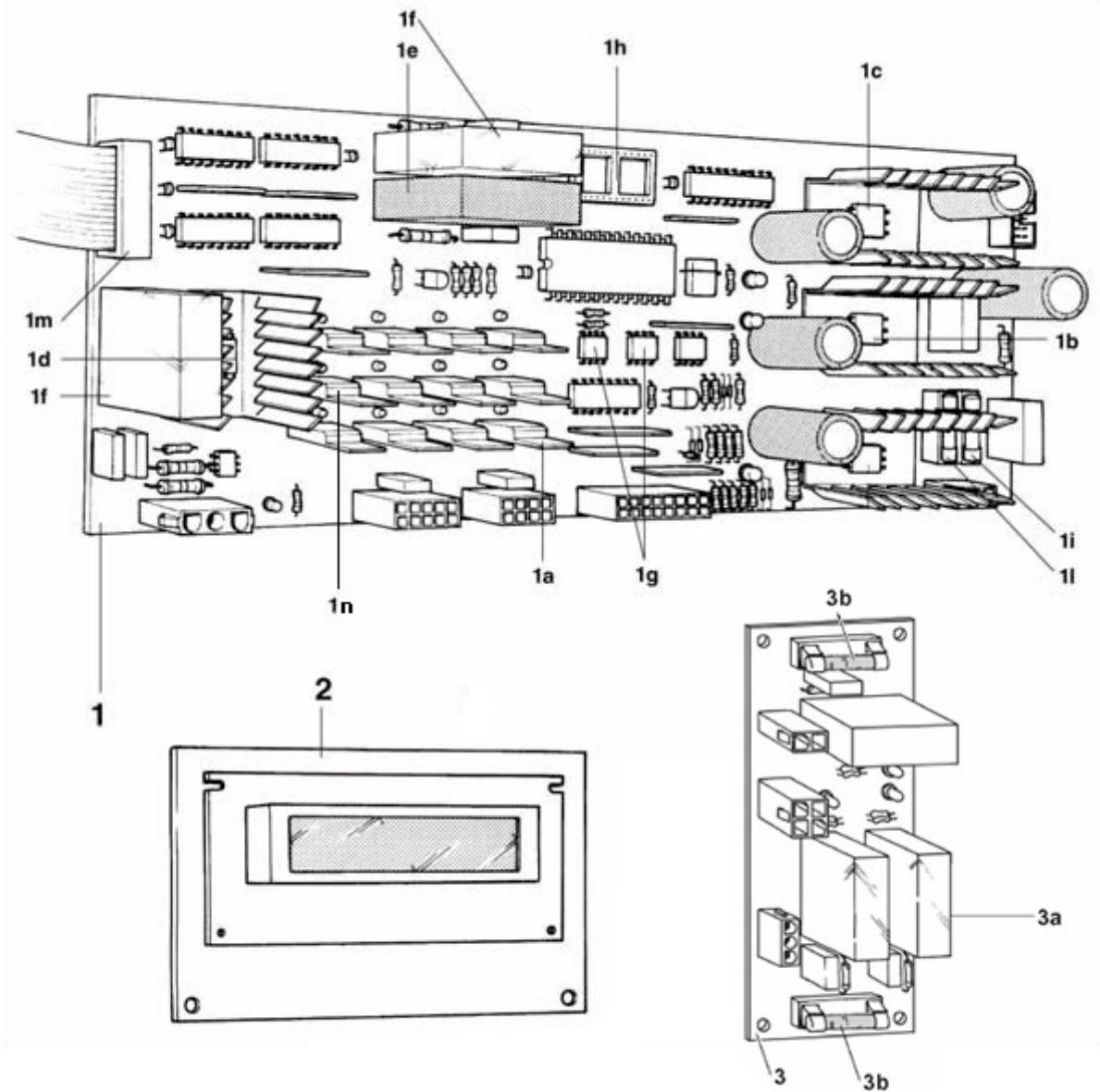
20.2

Article

Pos.-No.	Description	Article-No.
1	TANK SUPPORT	0010020119
2	SOLUBLE TANK COVER	0800008053
3	ELBOW WITH RAPID CONNECTION	0800009211
4	OR 109	GUA0000043
5	2010 OR	GUA0000038
6	3,2 x 7 x 0,5 WASHER	VIT0003201
7	PROBE 70 mm	800003022
8	PROBE 150 mm	800003018
9	SOLUBLE TANK BODY	0800009201
10	TANK INTERNAL WALL	800000010
11	COVER SECURING RING	800000035
12	VOLUME COUNTER W/RUBBERHOLDER	0110007003
13	M 3 FR NUT	VIT0004701
14	WATER FILTER	01090002002
15	TRANSPARENT SILICON PIPE D.6 x 9	TSIL06/09T
16	3,5 x 9,5 TCB SCREW	VIT0002002
17	COLLAR	FASC000210
18	TRANSPARENT SILICON PIPE D.7 x 11	TSIL07/11T
19	SCREW TCB M 4 x 7	VIT0000030
*	SOLUBLE TANK E2 (POS.1-19)	0010020142CL
*	SOLUBLE TANK E3 (POS.1-19)	0010020143CL

21. CPU E-prom (till Machine-No. 03259999)

21.1 Exploded View

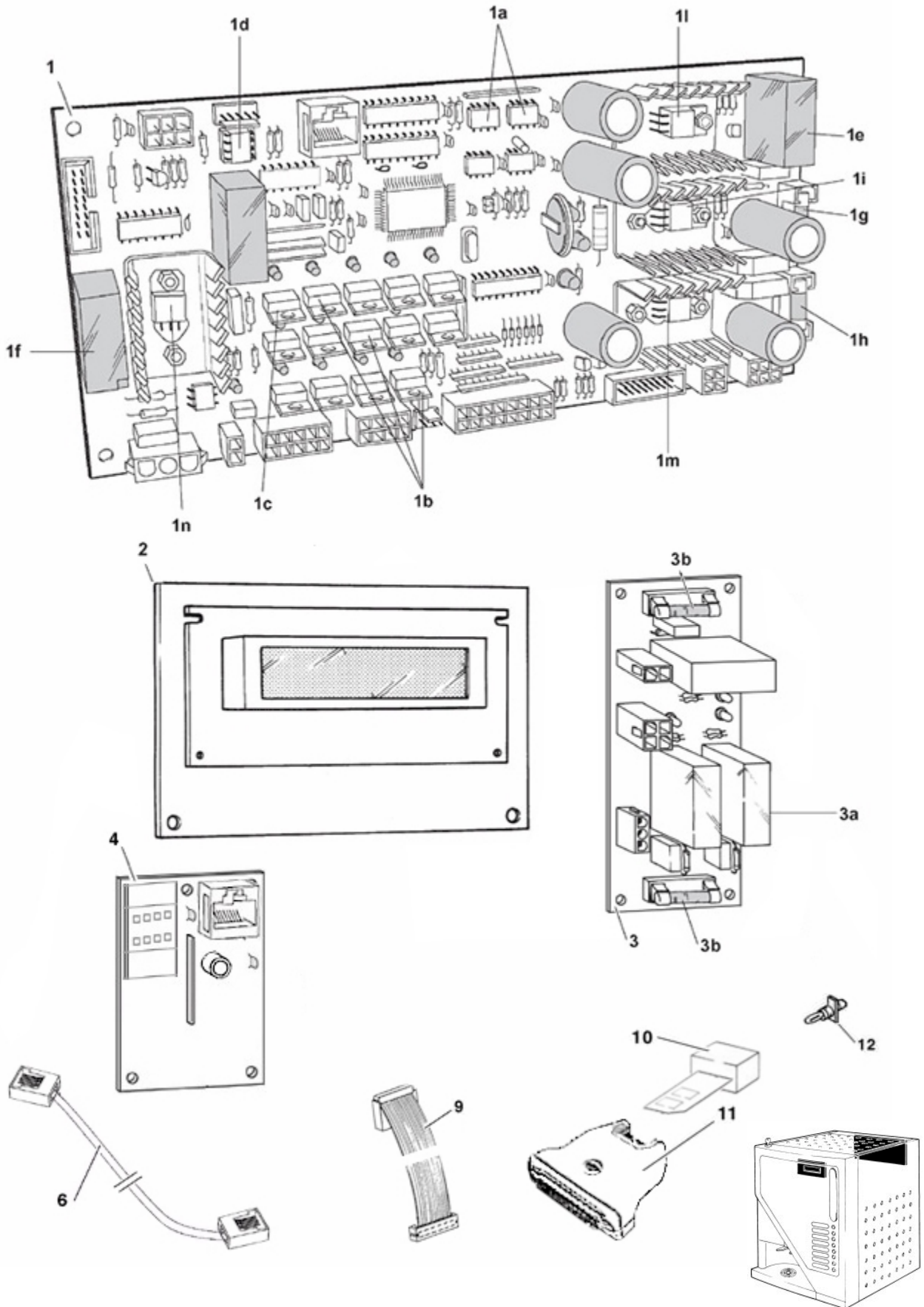


21. CPU E-prom (till Machine-No. 03259999)**21.2****Article**

Pos.-No.	Description	Article-No.
1	PRIMA CPU BOARD AND POWER CONTROL	SCH0002640
1a	TRANSISTOR BDW 93C	ELT0004020
1b	INTEGRATED CIRCUIT 7812	ELT0030305
1c	INTEGRATED CIRCUIT 7805	ELT0030301
1d	TRIAC BTA16-600B	ELT0004207
1e	2-WAY 24V D.C. 10A RELAY	ELT0007159
1f	1-WAY 24V D.C. 10A RELAY	ELT0007151
1g	EAROM 93C66	ELT0030064
1h	EPROM 27C512	ELT0030059
1i	6,3 A SLOW-BLOW GLASS FUSE 5 x 20	ELE0003004
1l	2 A RAPID GLASS FUSE 5 x 20	ELE0003025
1m	RIBBON CABLE 16P.	ELT0030471
1n	TRANSISTOR BTS133	ELT0004025
2	DISPLAY BOARD	SCH0002660
3	XS-E EXPANSION	SCH0003240
3a	1-WAY 24V D.C. 10A RELAY	ELT0007151
3b	6,3 A SLOW-BLOW GLASS FUSE 5 x 20	ELE0003004

22. CPU Flash Card (from Machine-No. 03260001)

22.1 Exploded View



22. CPU Flash Card (from Machine-No. 03260001)

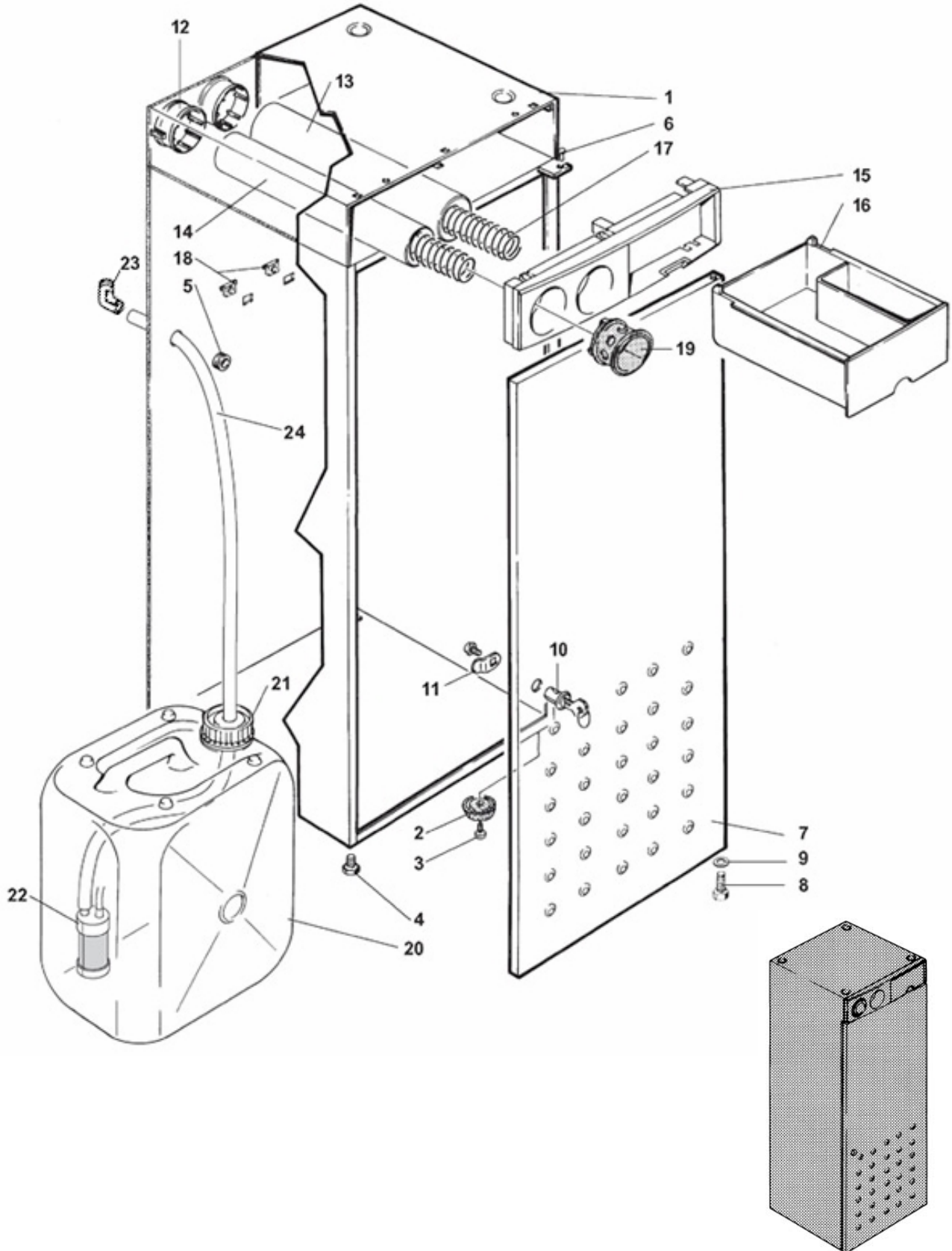
22.2

Article

Pos.-No.	Description	Article-No.
1	PRIMA CPU BOARD AND POWER CONTROL	SCH0004400
1a	EAROM 25LC640	ELT0030067
1b	TRANSISTOR BTS 133	ELT0004025
1c	TRANSISTOR BDW 93C	ELT0004020
1d	INTEGRATED CIRCUIT MCT6	ELT0030140
1e	2-WAY 24V D.C. 10A RELAY	ELT0007159
1f	1-WAY 24V D.C. 10A RELAY	ELT0007151
1g	6,3 A SLOW-BLOW GLASS FUSE 5 x 20	ELE0003004
1h	2 A RAPID GLASS FUSE 5 x 20	ELE0003025
1i	TRANSISTOR BTS 141	ELT0004026
1l	INTEGRATED CIRCUIT 7812	ELT0030305
1m	INTEGRATED CIRCUIT 7805	ELT0030301
1n	TRIAC BTA16	ELT0004207
2	DISPLAY BOARD	SCH0005280
3	XS-E EXPANSION	SCH0003240
3a	1-WAY 24V D.C. 10A RELAY	ELT0007151
3b	6,3 A SLOW-BLOW GLASS FUSE 5 x 20	ELE0003004
4	FLASH CARD INTERFACE	SCH0004500
6	PATCH CABLE 8P. RJ45	ELT0030564
9	RIBBON CABLE 16P.	ELT0030471
9a	RIBBON CABLE 10P.	ELT0030531
10	FLASH CARD 1MB	ELT0030068
11	FLASH CARD READER 25P. SUB-D	ELT0030069
12	HOLDING CLIP FOR PCB	ELE0062008
*	FLASH CARD SET (2x POS.10 / 1x POS.11) + SOFTWARE CD-ROM	500008
*	INTERFACE BOX FLASH CARD (POS.4 – 4a)	500007

23. XS-Base

23.1 Exploded View



23. XS-Base

23.2

Article

Pos.-No.	Description	Article-No.
1	FLOOR-STANDING CABINET	0010020316
2	CABINET FEET	GUA0011001
3	TAPPING SCREW TCB 3,5 x 9,5	VIT0002401
4	SCREW TE M8 x 25	VIT0000215
5	MEMBRANE CORE HITCH Ø 21	GUA0010502
6	DOOR HINGE UPPER PIN	0010020313
7	DOOR FOR FLOOR-STANDING CABINET	0010020317
8	SCREW TE M4 x 10	VIT0000205
9	WASHER D. 8 x 4,3 x 0,8	VIT0003003
10	BOX 5 RAPID EXTENSION LOCK	SER0000010
11	DOOR LOCK BRACKET TYPE 6	SER0001008
12	CUP TUBE SUPPORT	0010020324
13	CUP GUIDING TUBE DIAM. 70	0010020325
14	CUP GUIDING TUBE DIAM. 55	0010020326
15	FRONT COVER FOR CABINET	0010020311
16	FRONT COVER DRAWER	0010020312
17	CUP PUSHING SPRING	0010020334
18	NUT IN RETAINER M4	VIT0009104
19	REDUCTION FOR CUPS D.55	0010020318
20	20 LT. CANISTER	CON0000304
21	CANISTER PLUG	CON0000305
22	IMMERSION PUMP	0013657900
23	ELBOW 3/8"	0100003013
24	TRANSPARENT SILICON PIPE D.7 x 11	TSIL07/11T
*	IMMERSION PUMP KIT (POS. 22 – 24)	100520
*	IMMERSION PUMP KIT WITH TANK (POS. 20 – 24)	100501

FAX – Order

for Spare parts

to
servomat steigler
Robert-Bosch-Str. 3
89179 Beimerstetten

Date: _____

Page: _____ from: _____

Fax-No.: +49-(0)7348-9566-25 **Customer- No.:**

Did your address change since the last order? yes no

Quantity	Article-Number	Description
_____	_____	_____
_____	_____	_____
_____	_____	_____
_____	_____	_____
_____	_____	_____
_____	_____	_____
_____	_____	_____
_____	_____	_____
_____	_____	_____
_____	_____	_____
_____	_____	_____
_____	_____	_____
_____	_____	_____
_____	_____	_____
_____	_____	_____
_____	_____	_____

Delivery address equal invoice address yes no

If no – Delivery address :

Firmstamp/Date/Signature

Your name: _____
Please write legibly

Ihr Service und Beratungspartner