

● **cino**

xs speedmix
spare parts manual
3rd edition 02/2004



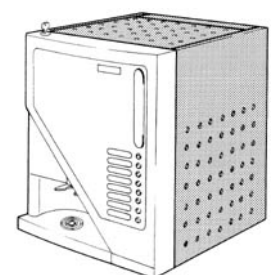
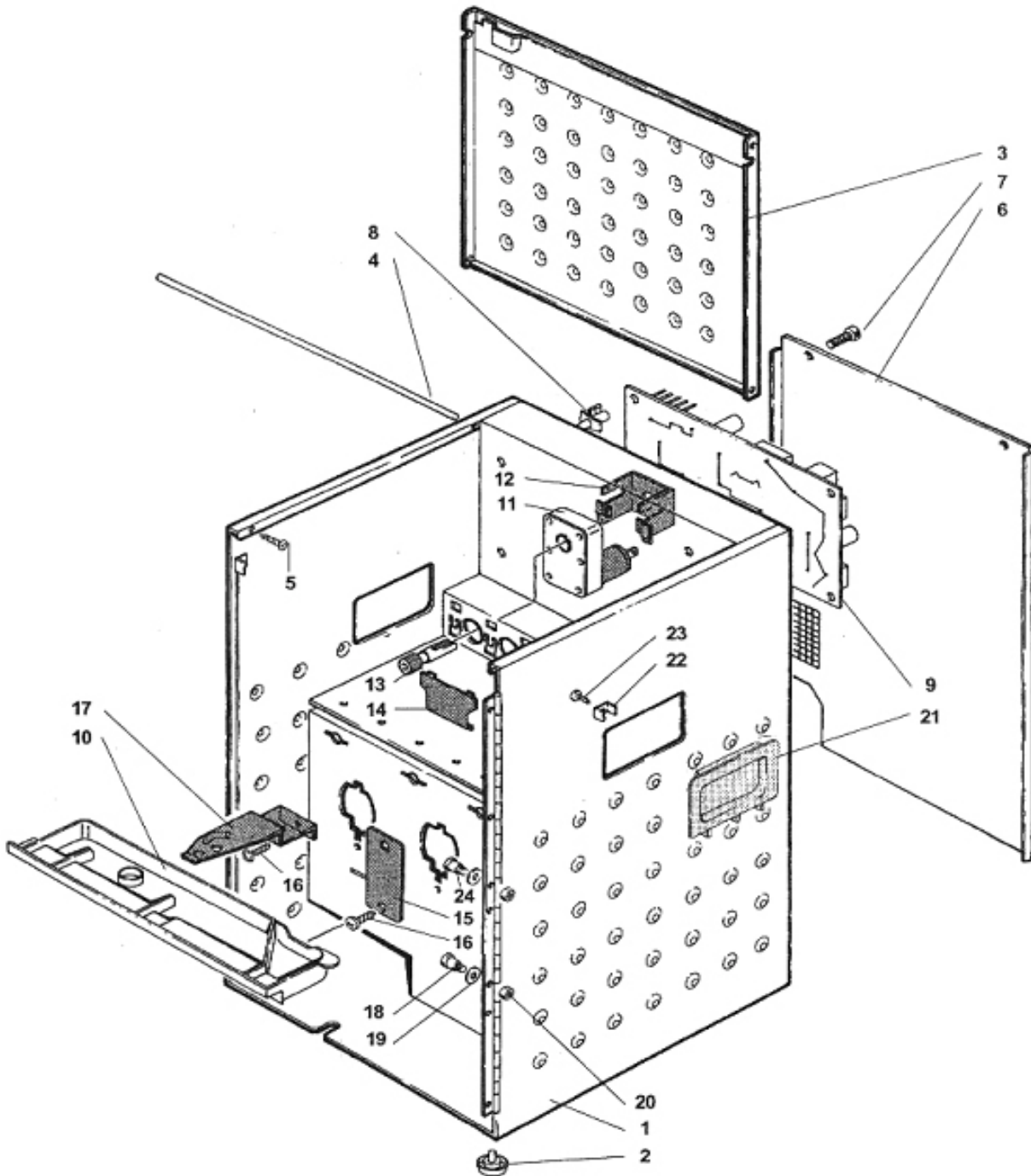
Table of contents

Chapter	Assembly		Page
1	Inner casing front (till Machine-No. 0201999)	Exploded View	3
		Article	4
2	Inner casing front (till Machine-No. 03279999)	Exploded View	5
		Article	6
3	Inner casing front (from Machine-No. 03280001)	Exploded View	7
		Article	8
4	Rear casing (till Machine-No. 0201999)	Exploded View	9
		Article	10
5	Rear casing (from Machine-No. 0202001)	Exploded View	11
		Article	12
6	Door (till Machine-No. 0201999)	Exploded View	13
		Article	14
7	Door (till Machine-No. 03279999)	Exploded View	15
		Article	16
8	Door (from Machine-No. 03280001)	Exploded View	17/19
		Article	18/20
9	Product container	Exploded View	21
		Article	22
10	Water tank	Exploded View	23
		Article	24
11	Tank in tank	Exploded View	25
		Article	26
12	Boiler (till Machine-No. 0001999)	Exploded View	27
		Article	28
13	Boiler (from Machine-No. 0002001)	Exploded View	29
		Article	30
14	Mixing bowl / Aqua portioning system (till Machine-No. 0201999)	Exploded View	31
		Article	32
15	Mixing bowl / Aqua portioning system (from Machine-No. 0202001)	Exploded View	33
		Article	34
15	CPU E-Prom (till Machine-No. 03279999)	Exploded View	35
		Article	36
16	CPU Flash Card (from Machine-No. 03280001)	Exploded View	37
		Article	38
17	XS-Base / Aqua module	Exploded View	39
		Article	40

1. Inner casing front (till Machine-No. 0201999)

1.1

Exploded View



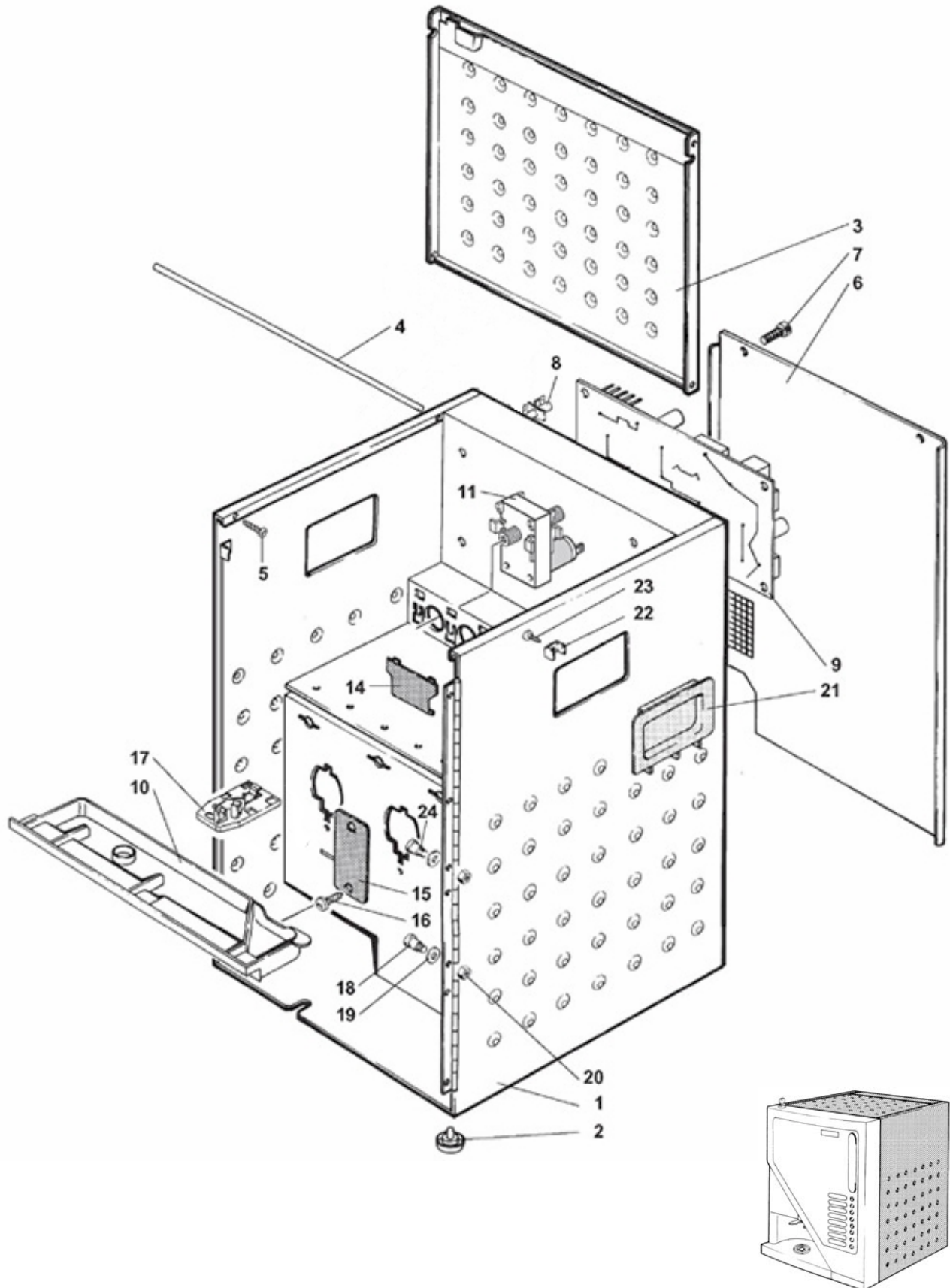
1. Inner casing front (till Machine-No. 0201999)**1.2****Article**

Pos.-No.	Description	Article-No.
1	XS-H CABINET STRUCTURE ASSEMBLY TILL KW 01/02	0010020005
2	D.25 SELFLOCKING FEET WITH PIN	GUA0011011
3	UPPER COVER	0010020021
4	SHAFT UPPER COVER	0010020022
5	TAPPING SCREW T.C.B. 3,5 x 6,5	VIT0002009
6	REAR DOOR	0010020017R
7	SCREW TCB M4 x 7	VIT0000030
8	BOARD SUPPORT	ELE0062008
9	PRIMA CPU BOARD AND POWER CONTROL	SCH0002640
10	"H" 2 EXHAUST DRAWER	0010020016
10a	"H" 3 EXHAUST DRAWER	0010020016/3
11	MR NCJM2480-X 24VDC TILL KW 52/00	0090002108
12	GEAR MOTOR SUPPORT	0010020031
13	Z18 D.15 LONG SHAFT	0090002112
14	GEAR MOTOR MASK	0010020029NA
15	MIXER MASK	0010020028NA
16	TAPPING SCREW TCB 3,5 x 9,5	VIT0002401
17	SUPPORT FOR PRODUCT PIPE	0010020053
18	PLASTIC COIN BOX LONG SPACER	0020035125
19	WASHER D. 8 x 4,3 x 0,8	VIT0003003
20	NUT M 4	VIT0004503
21	HANDLE	0010020026NA
22	SECURING CONNECTION	4600010012
23	SCREW 3,5 x 12	VIT0002452
24	PLASTIC COIN BOX SHORT SPACER	0020035124

2. Inner casing front (till Machine-No. 03279999)

2.1

Exploded View



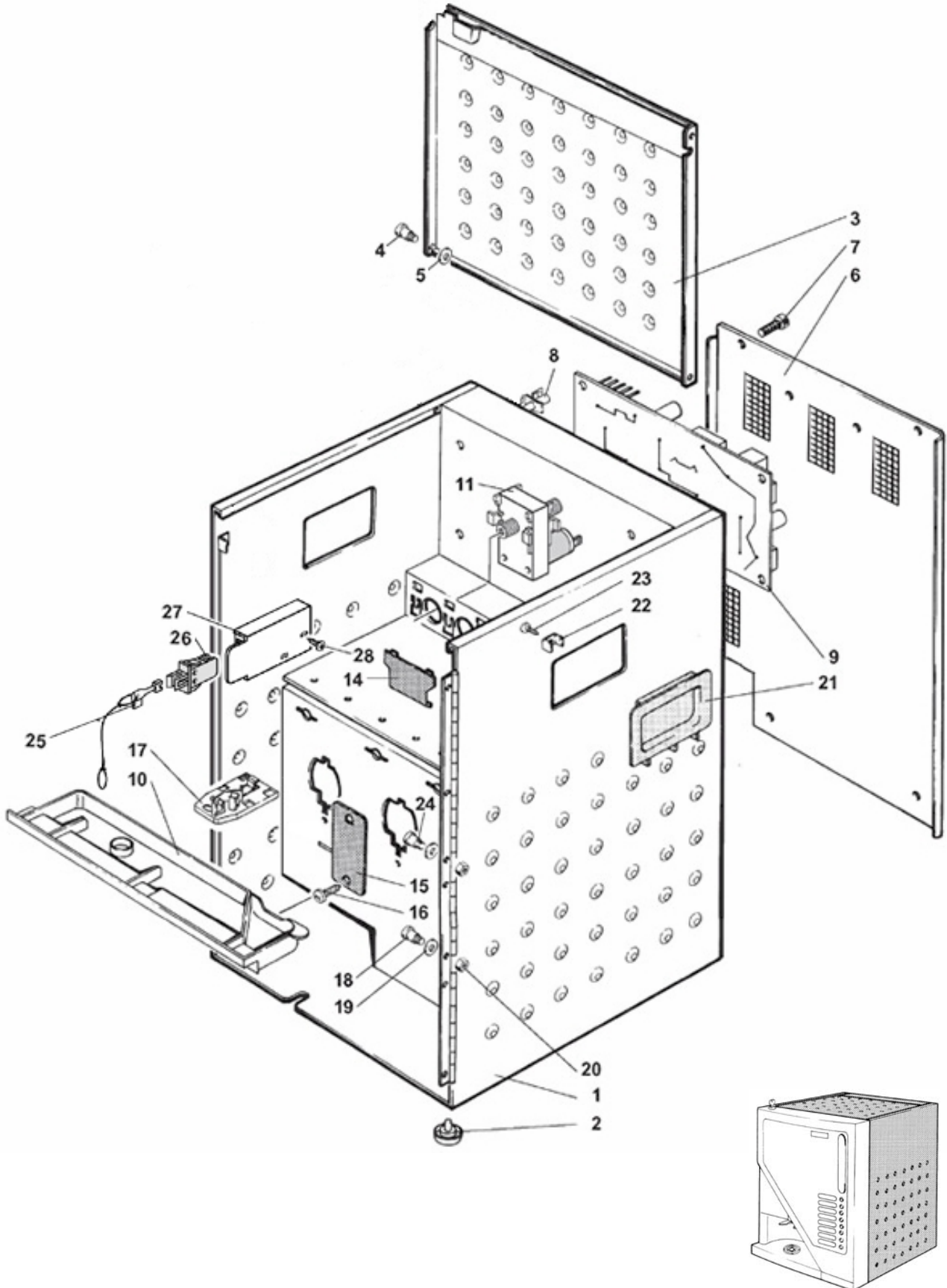
2. Inner casing front (till Machine-No. 03279999)**2.2****Article**

Pos.-No.	Description	Article-No.
1	XS-H CABINET STRUCTURE ASSEMBLY FROM KW 02/02	0010020065
2	D.25 SELFLOCKING FEET WITH PIN	GUA0011011
3	UPPER COVER	0010020766
4	SHAFT UPPER COVER	0010020022
5	TAPPING SCREW T.C.B. 3,5 x 6,5	VIT0002009
6	REAR DOOR FROM KW 02/02	0010020164R
7	SCREW TCB M4 x 7	VIT0000030
8	BOARD SUPPORT	ELE0062008
9	PRIMA CPU BOARD AND POWER CONTROL	SCH0002640
10	"H" 3 EXHAUST DRAWER FROM KW 02/02	0010020072
11	MR NCJM2480-X 24VDC FROM KW01/01	0090002113
14	GEAR MOTOR MASK	0010020029NA
15	MIXER MASK	0010020028NA
16	TAPPING SCREW TCB 3,5 x 9,5	VIT0002401
17	SUPPORT FOR PRODUCT PIPE	0010020051
18	PLASTIC COIN BOX LONG SPACER	0020035125
19	WASHER D. 8 x 4,3 x 0,8	VIT0003003
20	NUT M 4	VIT0004503
21	HANDLE	0010020026NA
22	SECURING CONNECTION	4600010012
23	SCREW 3,5 x 12	VIT0002452
24	PLASTIC COIN BOX SHORT SPACER	0020035124

3. Inner casing front (from Machine-No. 03280001)

3.1

Exploded View



3. Inner casing front (from Machine-No. 03280001)

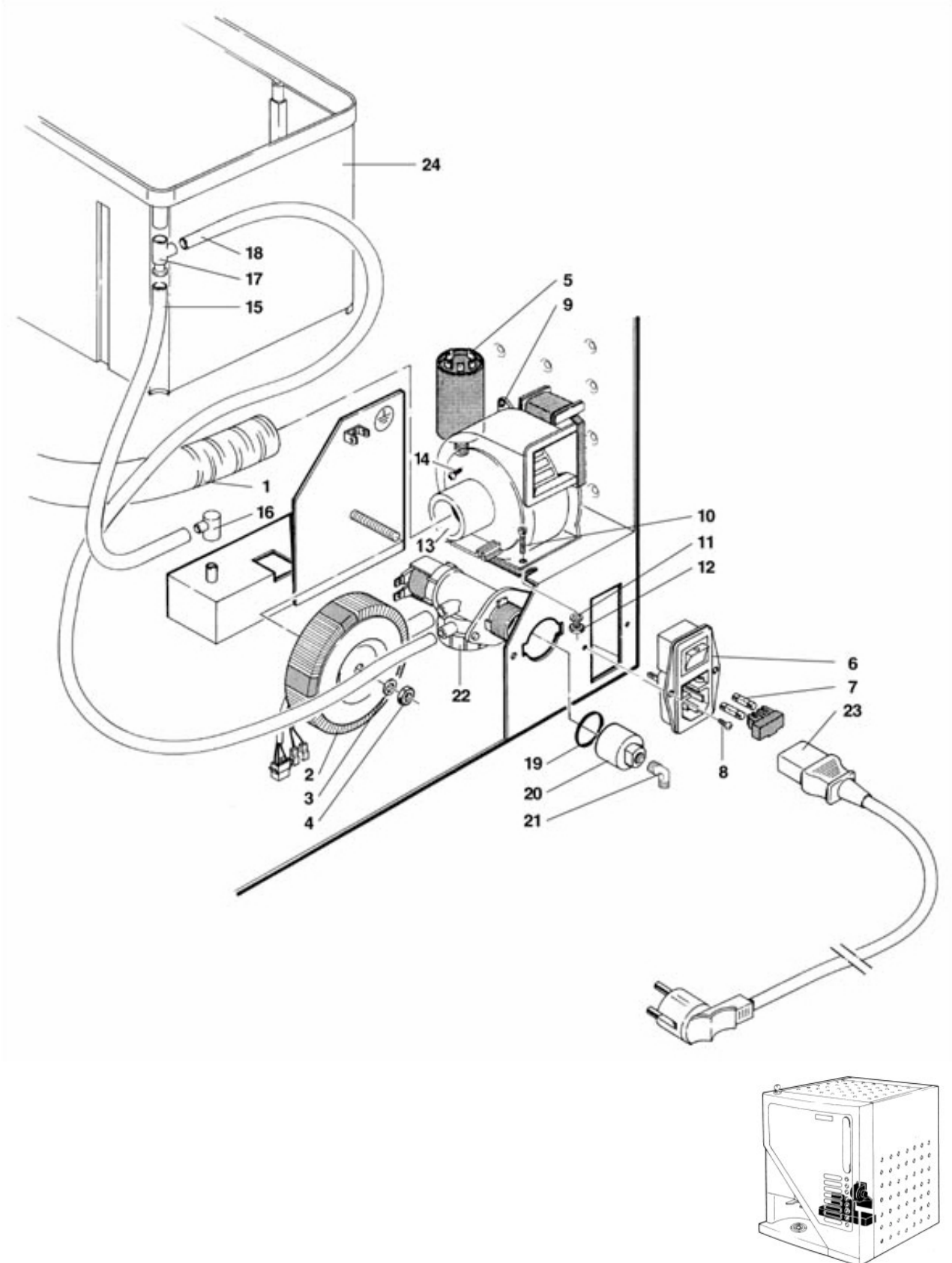
3.2

Article

Pos.-No.	Description	Article-No.
1	XS-H CABINET STRUCTURE ASSEMBLY	0010020784
1a	XS-H CABINET STRUCTURE ASSEMBLY SILVER	0010020784CM
2	D.25 SELFLOCKING FEET WITH PIN	GUA0011011
3	UPPER COVER	0010020766
3a	UPPER COVER SILVER	0010020766CM
4	HINGE BOLT D.4	0010020765
5	RADIAL STOP RING D.4	VIT0007102
6	REAR DOOR	0010020770
6a	REAR DOOR SILVER	0010020770CM
7	SCREW TCB M4 x 7	VIT0000030
8	BOARD SUPPORT	ELE0062008
9	PRIMA CPU BOARD AND POWER CONTROL	SCH0004400
10	"H" 3 EXHAUST DRAWER FROM KW 02/02	0010020072
11	MR NCJM2480-X 24VDC FROM KW01/01	0090002113
14	GEAR MOTOR MASK	0010020029NA
15	MIXER MASK	0010020028NA
16	TAPPING SCREW TCB 3,5 x 9,5	VIT0002401
17	SUPPORT FOR PRODUCT PIPE	0010020051
18	PLASTIC COIN BOX LONG SPACER	0020035125
19	WASHER D. 8 x 4,3 x 0,8	VIT0003003
20	NUT M 4	VIT0004503
21	HANDLE	0010020026NA
22	SECURING CONNECTION	4600010012
23	SCREW 3,5 x 12	VIT0002452
24	PLASTIC COIN BOX SHORT SPACER	0020035124
25	DOOR CONTACT KEY	0270011109CL
26	DOOR CONTACT SWITCH	ELE0002009
27	COVER DOOR CONTACT SWITCH	0010020770
28	TAPPING SCREW TCB 2,9 x 6,5	VIT0002001

4. Rear casing (till Machine-No. 0201999)

4.1 Exploded View



4. Rear casing (till Machine-No. 0201999)

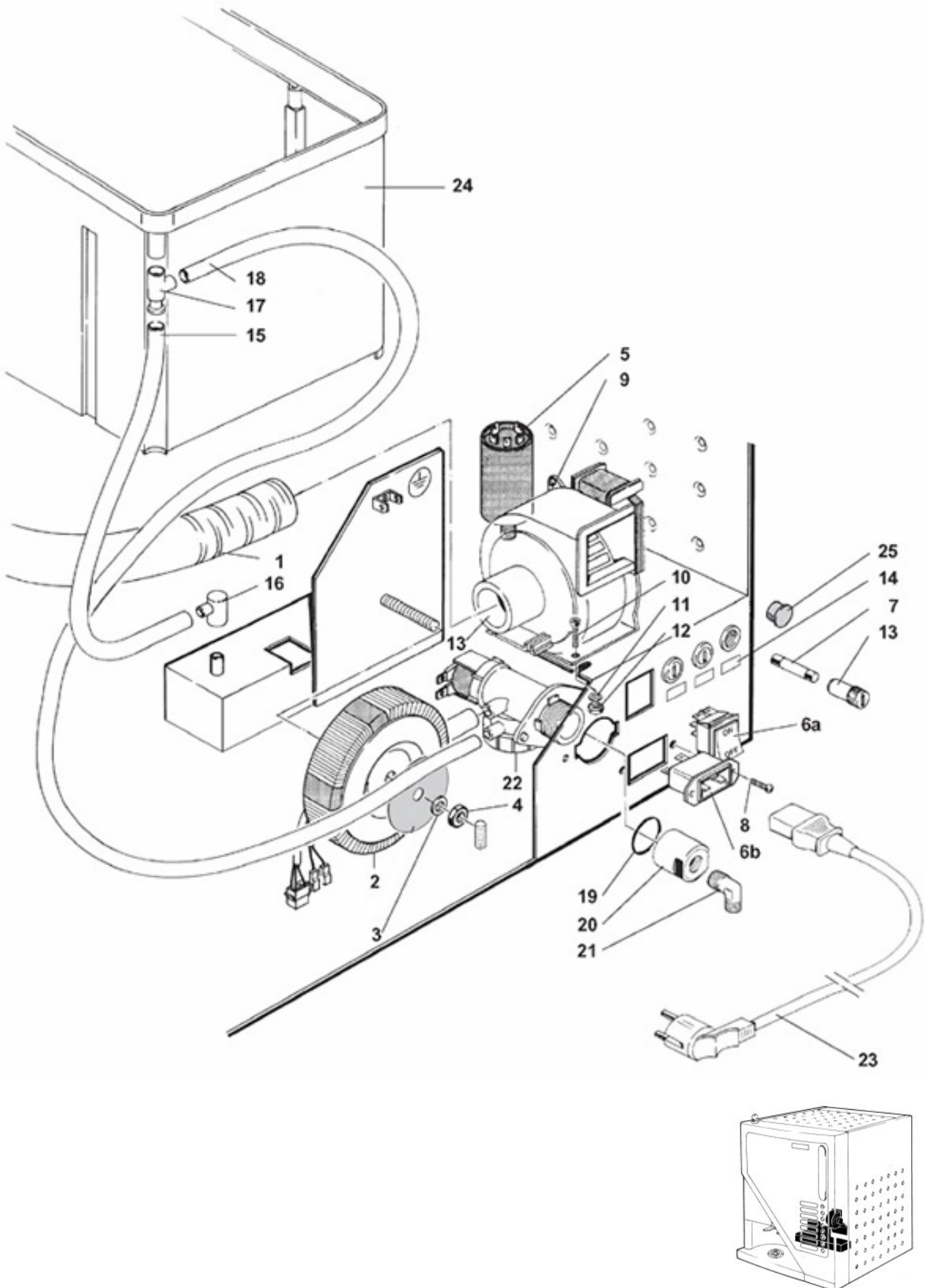
4.2

Article

Pos.-No.	Description	Article-No.
1	FANPIPE Ø 30 mm	TEOL000002
2	TOROIDAL TRANSFORMER	ELE0000555
3	WASHER D. 6,5 x 18 x 1,5	VIT0003303
4	NUT M6	VIT0004505
5	ANTIPARASITIC FILTER	ELE0009055
6	2 P SOCKET + EARTH + BIPOLA SWITCH + FUSE HOLDER	ELE0002309
7	6,3 A 5x20 SLOW-BLOW GLASS FUSE	ELE0003004
8	TAPPING SCREW TCB 3,5 x 9,5	VIT0002401
9	CENTRIFUGAL EXHAUSTER	ELE0000458
10	SCREW T.C.B. M4 x 12	VIT0000013
11	WASHER tab D. 4,3 mm	VIT0003103
12	NUT M4	VIT0004503
13	FLANGE FANPIPE	0010014071
14	SCREW 2,9 x 6,5	VIT0002001
15	TRANSPARENT SILICON PIPE D.7 x 11	TSIL07/11T
16	OVERFLOW FITTING	0600016030
17	BOILER T	0600016028
18	TRANSPARENT SILICON PIPE D.5 x 8	TSIL05/08T
19	OR 130	GUA0000021
20	3/8" GAS M WATER INLET VALVE CONNECTION	0810010558
21	L FITTING 3/8" CON	0100001023
22	24 DC INLET VALVE	0110001058
23a	POWER LEAD 3 x 1 SOCKET AND SCHUKO PLUG	ELE0055008
23b	POWER LEAD 3 x 1 WITH IEC SOCKET AND GB PLUG	ELE0055010
24	BOILER TANK	0600016008

5. Rear casing (from Machine-No. 0202001)

5.1 Exploded View



5. Rear casing (from Machine-No. 0202001)

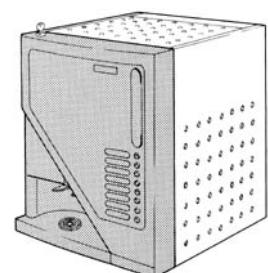
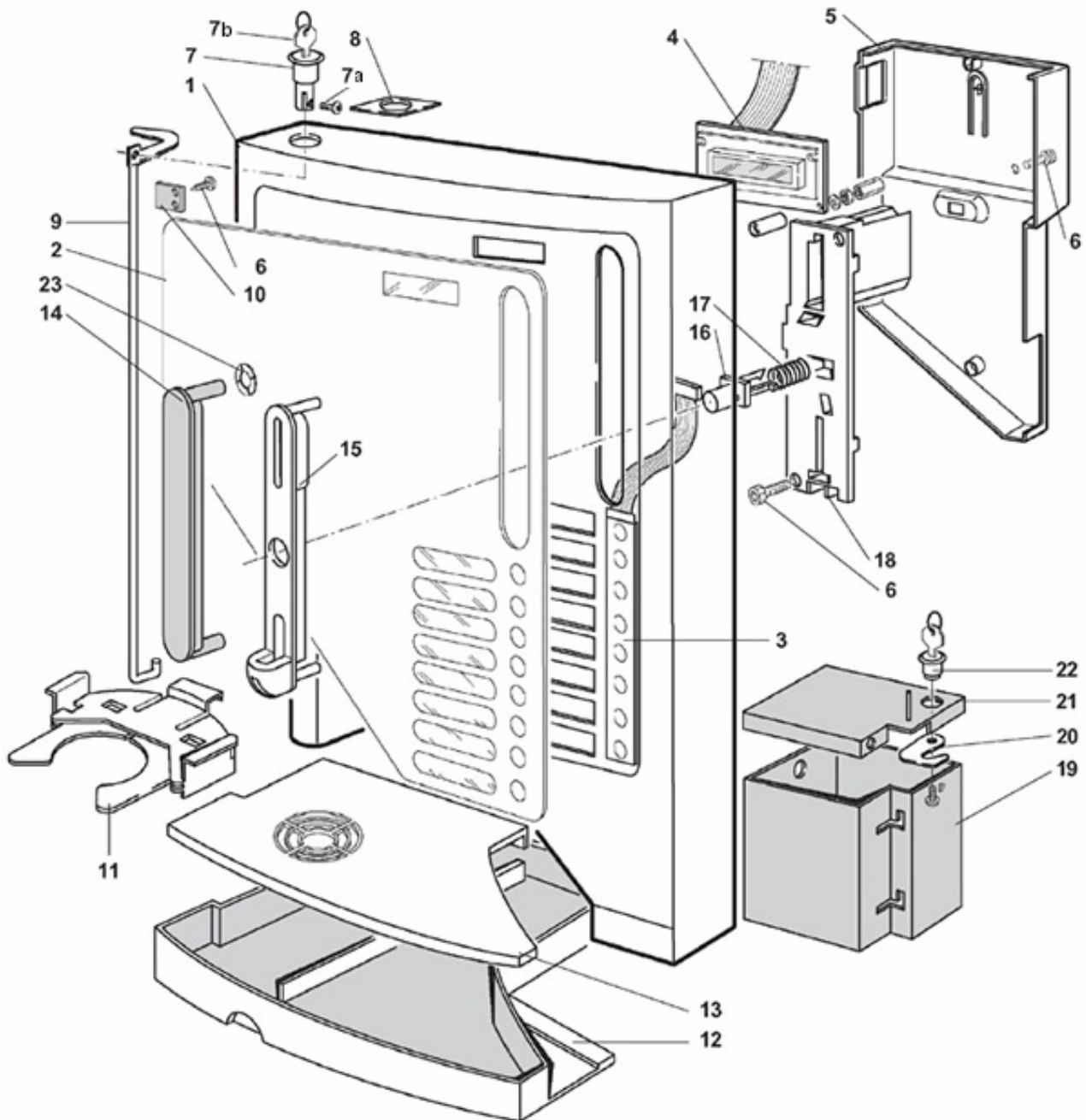
5.2

Article

Pos.-No.	Description	Article-No.
1	FANPIPE Ø 30 mm	TEOL000002
2	TOROIDAL TRANSFORMER	ELE0000555
3	WASHER D. 6,5 x 18 x 1,5	VIT0003303
4	NUT M6	VIT0004505
5	ANTIPARASITIC FILTER	ELE0009057
6a	15A 250V ON/OFF UL/CSA BIPOLAR SWITCH	ELE0002014
6b	IEC 15A 250V SOCKET	ELE0002310
7	12 A 6,3x32 SLOW-BLOW GLASS FUSE	ELE0003024
8	TAPPING SCREW TCB 3,5 x 9,5	VIT0002401
9	CENTRIFUGAL EXHAUSTER	ELE0000459
10	SCREW T.C.B. M4 x 10	VIT0000012
11	WASHER D. 4,3	VIT0003103
12	NUT M4	VIT0004503
13	FUSE HOLDER	ELE0003507
14	FUSE LABEL 12 A	1010100110
15	TRANSPARENT SILICON PIPE D.7 x 11	TSIL07/11T
16	OVERFLOW FITTING	0600016030
17	BOILER T	0600016028
18	TRANSPARENT SILICON PIPE D.5 x 8	TSIL05/08T
19	OR 130	GUA0000021
20	3/8" GAS M WATER INLET VALVE CONNECTION	0810010558
21	L FITTING 3/8" CON	0100001023
22	24 DC INLET VALVE	0110001058
23a	POWER LEAD 3 x 1 SOCKET AND SCHUKO PLUG	ELE0055008
23b	POWER LEAD 3 x 1 WITH IEC SOCKET AND GB PLUG	ELE0055010
24	BOILER TANK	0600016008
25	RELEASE PLUG	GUA0011010

6. Door (till Machine-No. 0201999)

6.1 Exploded View

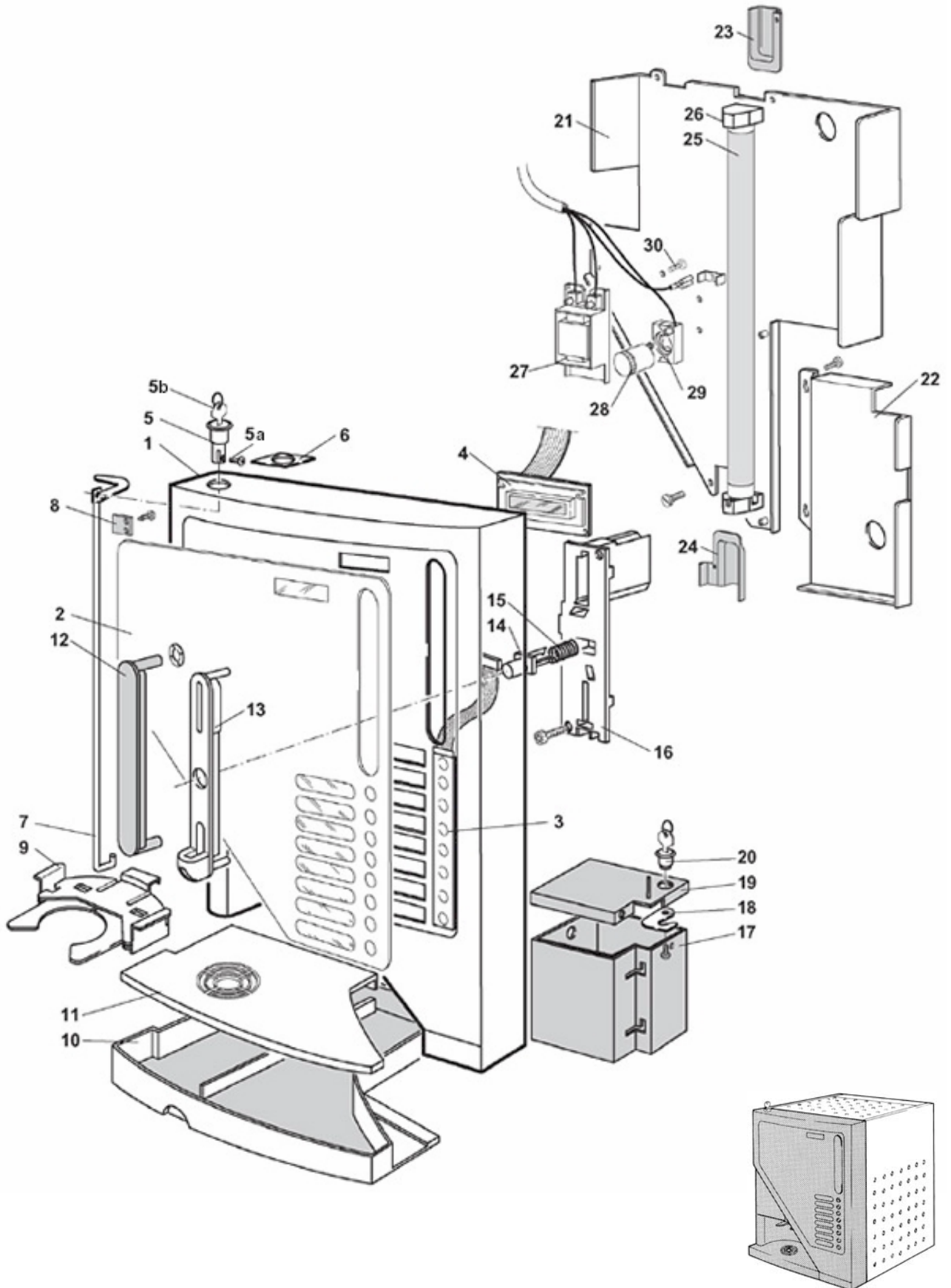


6. Door (till Machine-No. 0201999)**6.2****Article**

Pos.-No.	Description	Article-No.
1	ROUNDED DOOR	0020035105
2	ADHESIVE FRONT PANEL	-----
3	8-KEY KEYBOARD	0020035036
4	DISPLAY	SCH0002660
5	DISPLAY COVER	0020035008
6	TAPPING SCREW TCB 3,5 x 12	VIT0002452
7	BOX 5 RAPID EXTENSION LOCK	SER0000012
7a	SCREW EXTENSION LOCK	VIT0002603
7b	KEY NO. 3102	SER0000327
8	LOCK PLATE	0020035041
9	DOOR LOCK PIN	0020035045
10	PIN STOP PLATE	0020035046
11	CUP SUPPORT	100505
12	WATER COLLECTION TRAY	0020035006
13	WATER COLLECTION TRAY GRATE	0020035007
14	BLACK COIN BOX BLOCKING TAB	0020035029NA
15	BLACK COIN BOX TAB	0020035031NA
16	RED COIN RETURN BUTTON 3020	0020035033KA
17	COIN RETURN BUTTON SPRING	0020035034
18	COIN BOX SUPPORT	0020035032NA
19	PLASTIC COIN DRAWER	0020035123NA
20	PLASTIC COIN DRAWER HOOK	0020035126NA
21	BLACK COIN BOX COVER ASSEMBLY	0020035122NA
22	RAPID BOX LOCK NO. 3430	SER0000015
22a	KEY NO. 3430	SER0000335
*	PLASTIC COVER ASSEMBLY POS. 19 - 22	0020035122R

7. Door (till Machine-No. 03279999)

7.1 Exploded View



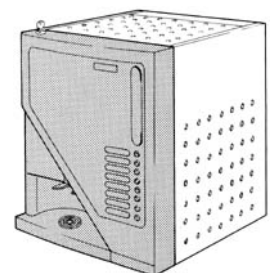
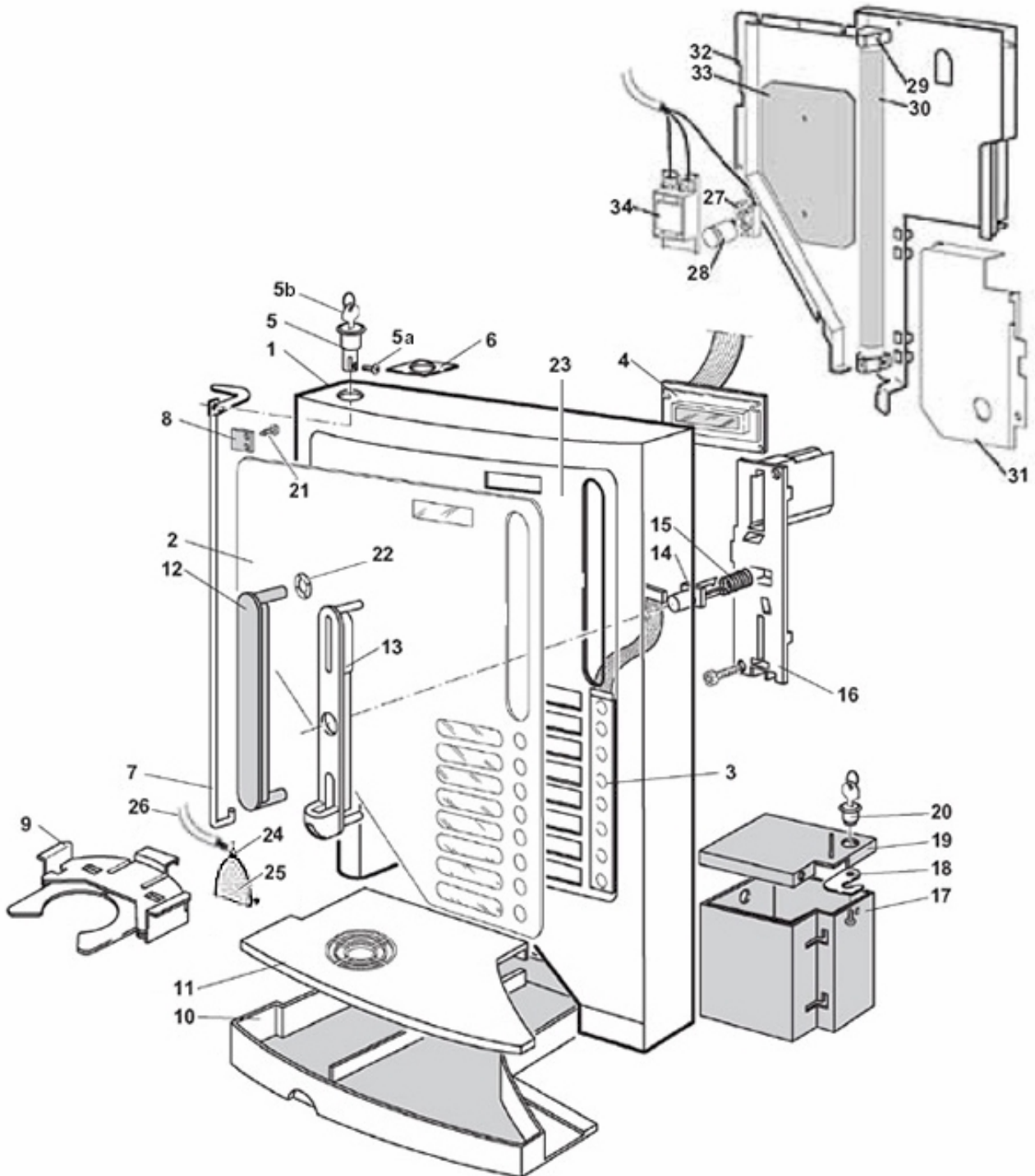
7. Door (till Machine-No. 03279999)**7.2****Article**

Pos.-No.	Description	Article-No.
1	BLACK DOOR	0020035135
2	ADHESIVE FRONT PANEL	-----
3	8-KEY KEYBOARD	0020035036
4	DISPLAY	SCH0002660
5	BOX 5 RAPID EXTENSION LOCK	SER0000012
5a	SCREW EXTENSION LOCK	VIT0002603
5b	KEY NO. 3102	SER0000327
6	LOCK PLATE	0020035041
7	DOOR LOCK PIN	0020035045
8	PIN STOP PLATE	0020035046
9	CUP SUPPORT	100505
10	WATER COLLECTION TRAY	0020035006
11	WATER COLLECTION TRAY GRATE	0020035007
12	BLACK COIN BOX BLOCKING TAB	0020035029NA
13	BLACK COIN BOX TAB	0020035031NA
14	RED COIN RETURN BUTTON 3020	0020035033KA
15	COIN RETURN BUTTON SPRING	0020035034
16	COIN BOX SUPPORT	0020035032NA
17	PLASTIC COIN DRAWER	0020035123NA
18	PLASTIC COIN DRAWER HOOK	0020035126NA
19	BLACK COIN BOX COVER ASSEMBLY	0020035122NA
20	RAPID BOX LOCK NO. 3430	SER0000015
20a	KEY NO. 3430	SER0000335
21	LAMP TRAIL SHEET	0020035141
22	LABEL INSERTION DOOR	0020035143
23	UPPER CABLES PROTECTION	0020035137
24	LOWER CABLES PROTECTION	0020035138
25	L 8 W 20 LAMP	ELE0009018
26	BIPLUG G 13 LAMP HOLDER	ELE0009107
27	220 V BALLAST	ELE0009116
28	STARTER	ELE0009109
29	STARTER HOLDER	ELE0009108
30	SCREW TCB M4 x 7	VIT0000030
*	PLASTIC COVER ASSEMBLY POS. 17 - 20	0020035122R

8. Door (from Machine-No. 03280001)

8.1

Exploded View



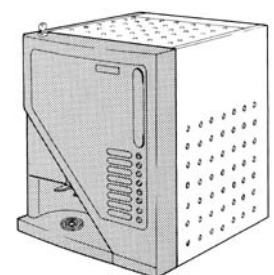
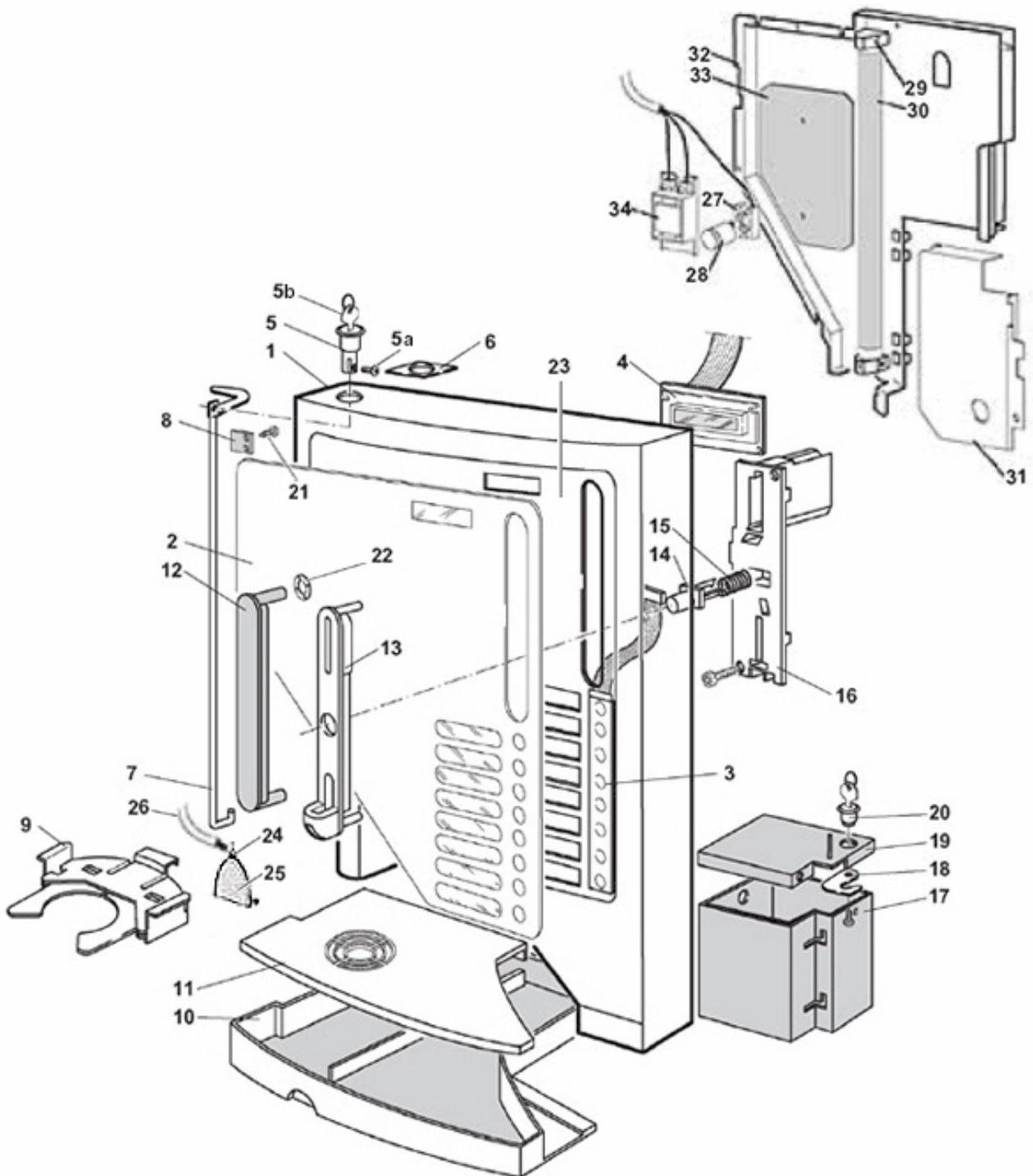
8. Door (from Machine-No. 03280001)**8.2****Article**

Pos.-No.	Description	Article-No.
1	DOOR	0020035205
1a	DOOR SILVER	0020035205CM
2	ADHESIVE FRONT PANEL	-----
3	8-KEY KEYBOARD	0020035036
4	DISPLAY	SCH0005280
5	BOX 5 RAPID EXTENSION LOCK	SER0000012
5a	SCREW EXTENSION LOCK	VIT0002603
5b	KEY NO. 3102	SER0000327
6	LOCK PLATE	0020035041
7	DOOR LOCK PIN	0020035045
8	PIN STOP PLATE	0020035046
9	CUP SUPPORT	100505
10	WATER COLLECTION TRAY	0020035006
10a	WATER COLLECTION TRAY SILVER	0020035006CM
11	WATER COLLECTION TRAY GRATE	0020035007
12	BLACK COIN BOX BLOCKING TAB	0020035029NA
13	BLACK COIN BOX TAB	0020035031NA
14	RED COIN RETURN BUTTON 3020	0020035033KA
15	COIN RETURN BUTTON SPRING	0020035034
16	COIN BOX SUPPORT	0020035032NA
17	PLASTIC COIN DRAWER	0020035123NA
18	PLASTIC COIN DRAWER HOOK	0020035126NA
19	BLACK COIN BOX COVER ASSEMBLY	0020035122NA
20	RAPID BOX LOCK NO. 3430	SER0000015
20a	KEY NO. 3430	SER0000335
21	TAPPING SCREW 3,5 x 12	VIT0002452
22	BUSH	VIT0007109
23	TRANSPARENT PANEL DOORCENTRE	0020035206
24	LED RED	ELT0006765
24a	LED BLUE	ELT0006766
24b	LED ORANGE	ELT0006767
24c	LED GREEN	ELT0006768
24d	LED WHITE	ELT0006769
25	LED COVER TRANSPARENT	0020035209
26	CABLE FOR LED	CBLXS00057
27	STARTER HOLDER 16/AL	ELE0009122
28	STARTER S10 4/65W	ELE0009109
29	BIPLUG LAMP HOLDER	ELE0009121
30	L 8 W 20 LAMP	ELE0009018
31	LABEL INSERTION DOOR	0020035208
32	LAMP TRAIL SHEET	0020035207
33	THERMIC PROTECTION PLATE	0020035219

8. Door (from Machine-No. 03280001)

8.3

Exploded View

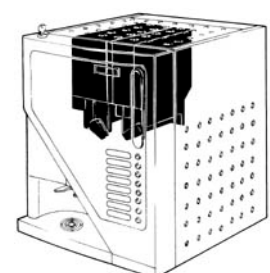
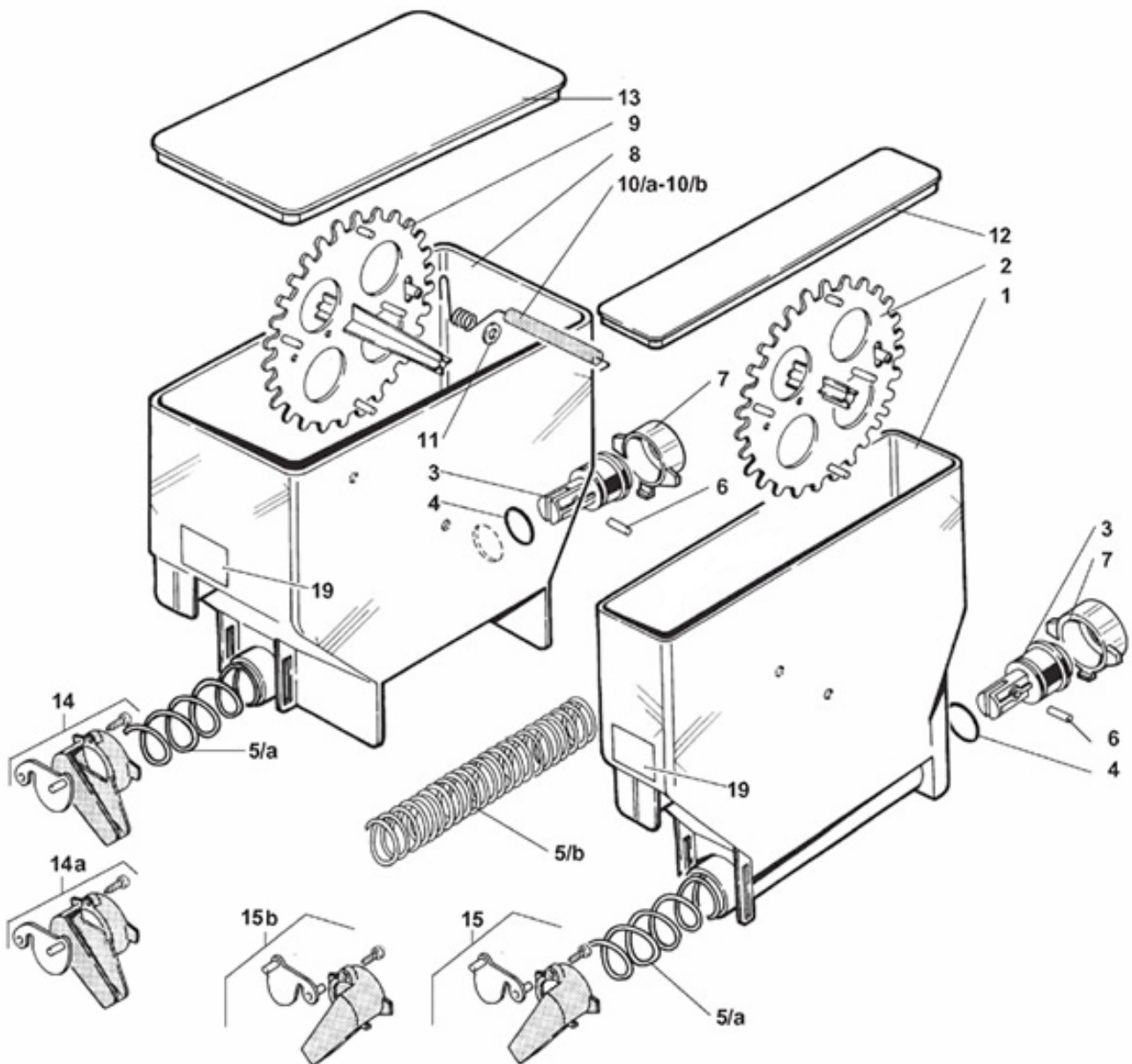


8. Door (from Machine-No. 03280001)**8.4****Article**

Pos.-No.	Description	Article-No.
34	220 V BALLAST	ELE0009116
*	PLASTIC COVER ASSEMBLY POS. 17 - 20	0020035122R

9. Product container

9.1 Exploded View



9. Product container

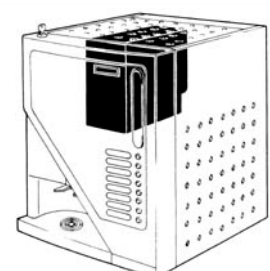
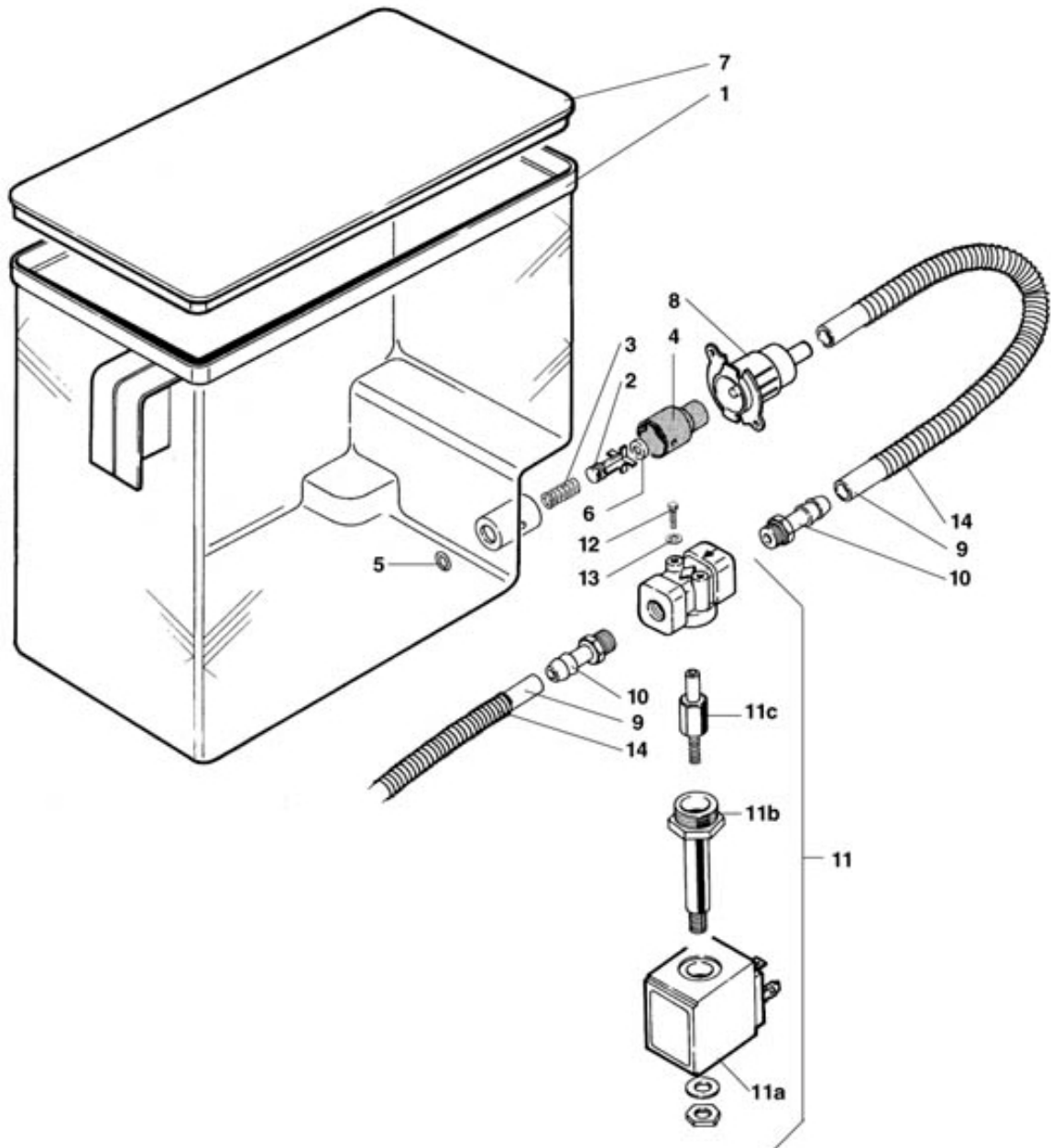
9.2

Article

Pos.-No.	Description	Article-No.
1	PLASTIC INGREDIENT CONTAINER 55 mm	0230030005
2	MIXER GEAR 55 mm	0230030016
3	WORM SCREW PIN	0230030012
4	OR 123	GUA0000083
5a	WORM SCREW P.18	0230030014
5b	WORM SCREW P.9	0230030013
6	ELASTIC PIN D.2 x 14	VIT0005301
7	REAR BUSH	0230030011
8	PLASTIC INGREDIENT CONTAINER 112 mm	0230030008
9	MIXER GEAR 112 mm	0230030015
10a	INGREDIENT MIXER 112 mm R.H. OUTLET	0230030041
10b	INGREDIENT MIXER 112 mm L.H. OUTLET	0230030042
11	STAINLESS STEEL FLAT WASHER D. 8,4 x 14 x 1,6	VIT0003210
12	CONTAINER COVER 54 mm	0230030156
13	CONTAINER COVER 110 mm	0230030158
14	RIGHT CONVEYOR INGREDIENT	0230030017R
14a	RIGHT CONVEYOR INGREDIENT HIGH	0230030044R
15	LEFT CONVEYOR INGREDIENT	0230030018R
15a	LEFT CONVEYOR INGREDIENT HIGH	0230030043R
*	COMPLETE PLASTIC INGREDIENTS CONTAINER 55mm WITH WORM SCREW P.18	0230030005R
*	COMPLETE PLASTIC INGREDIENTS CONTAINER 55mm WITH WORM SCREW P.9	0230030006R
*	COMPLETE PLASTIC INGREDIENTS CONTAINER 112mm WITH WORM SCREW P.18 R.H. OUTLET	0230030007R
*	COMPLETE PLASTIC INGREDIENTS CONTAINER 112mm WITH WORM SCREW P.18 L.H. OUTLET	0230030009R

10. Water tank

10.1 Exploded View



10. Water tank

10.2

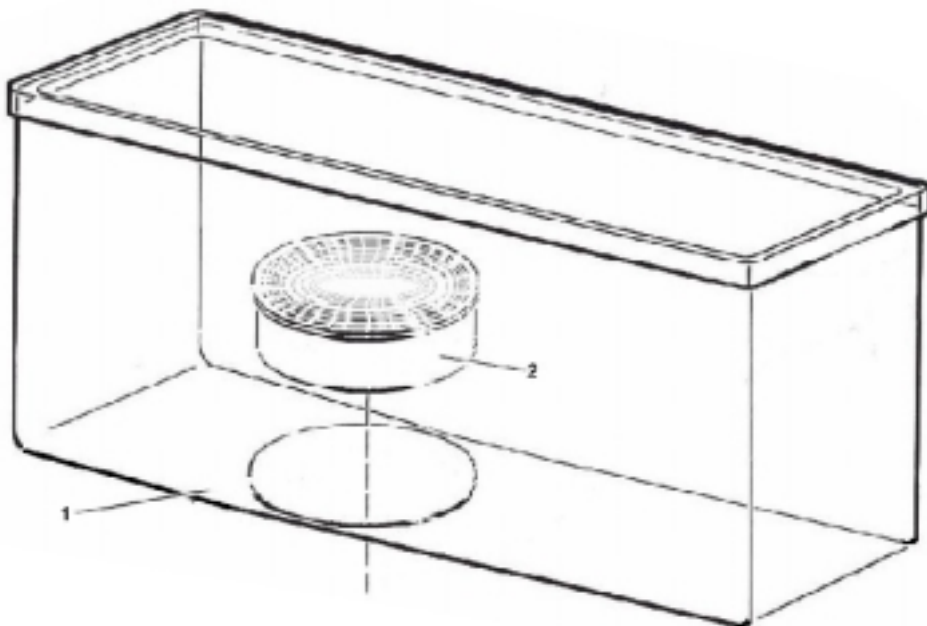
Article

Pos.-No.	Description	Article-No.
1	WATER TANK	0800012005PF
2	WATER TANK CLOSING PIN	0800012009
3	CLOSING PIN SPRING	0800012012
4	TANK CLOSING GASKET SUPPORT	0800012008
5	SILICONE GASKET D.6 CORD 3	GUA0000082
6	SILICONE GASKET DE 062	GUA0002008
7	CONTAINER COVER 112 mm	0230030009
8	FIXED TANK CONNECTION	0800012015
9	TRANSPARENT SILICON PIPE	TSIL07/11T
10	RUBBER HOLDER DIR. D.10-1/4 M	0100217009
11	24 D.C. 2-WAY VALVE ¼" D. 4.5	0110001078
11a	8W 24 D.C. COIL	0110010065
11b	SLEEVE FOR 2-WAY VALVE D. 4.5	0110010101
11c	CORE WITH SPRING FOR 2-WAY VALVE D. 4.5	0110010102
12	SCREW TE M4 x 10	VIT0000205
13	WASHER D. 12 x 4,3 x 1,5	VIT0003301
14	PIPE SPRING	0010020063
*	AUTONOMUS WATER TANK (POS. 1 – 7)	0800012010R

11. Tank in tank

11.1

Exploded View

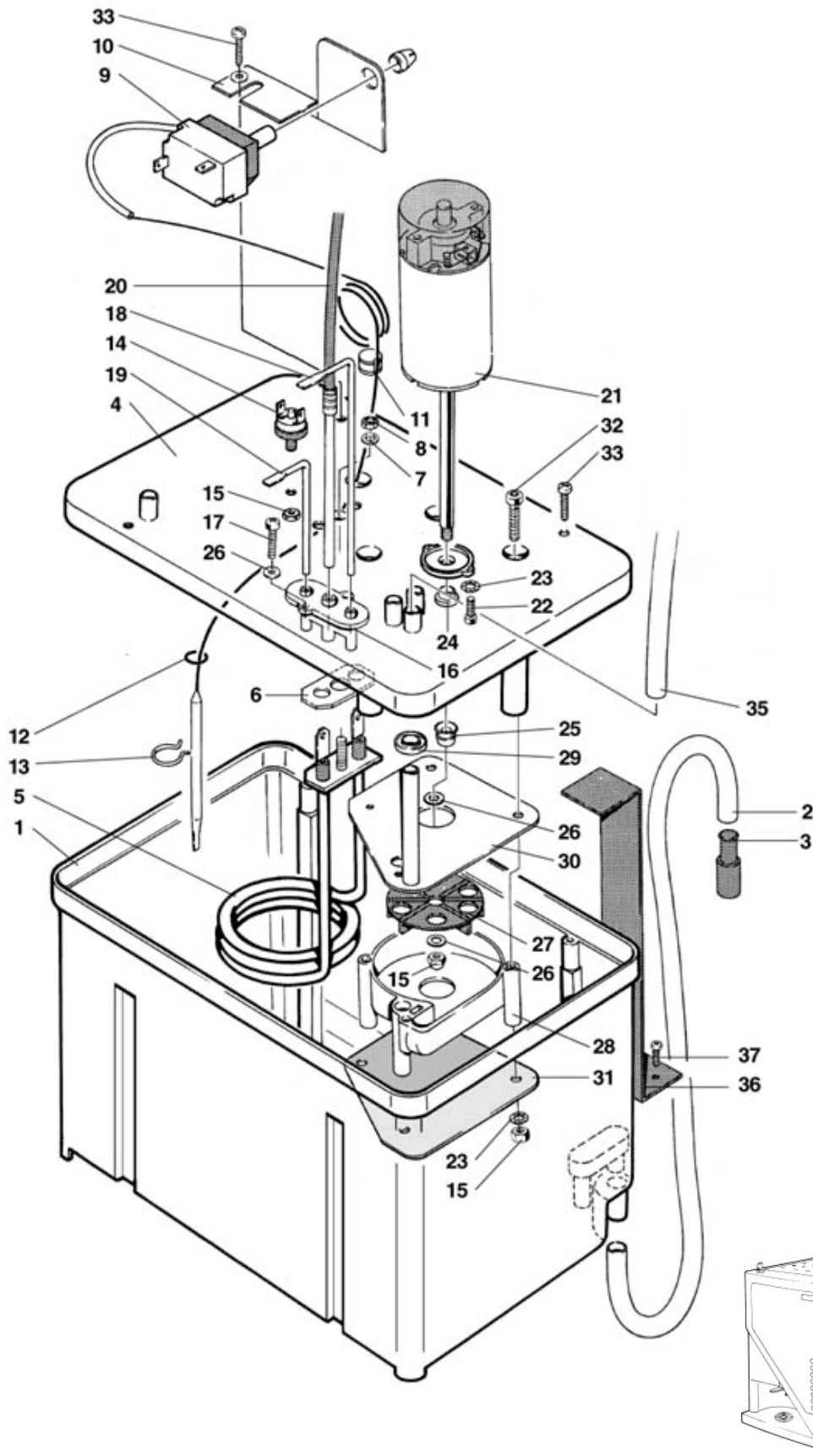


11. Tank in tank**11.2****Article**

Pos.-No.	Description	Article-No.
1	FILTERTANK WITHOUT CARTRIDGE	799039
2	FILTER CARTRIDGE	799038
*	THE FILTER CARTRIDGE SHOULD BE CHANGED AFTER 1500 SERVINGS (200L) OR MONTHLY.	

12. Boiler (till Machine-No. 0001999)

12.1 Exploded View

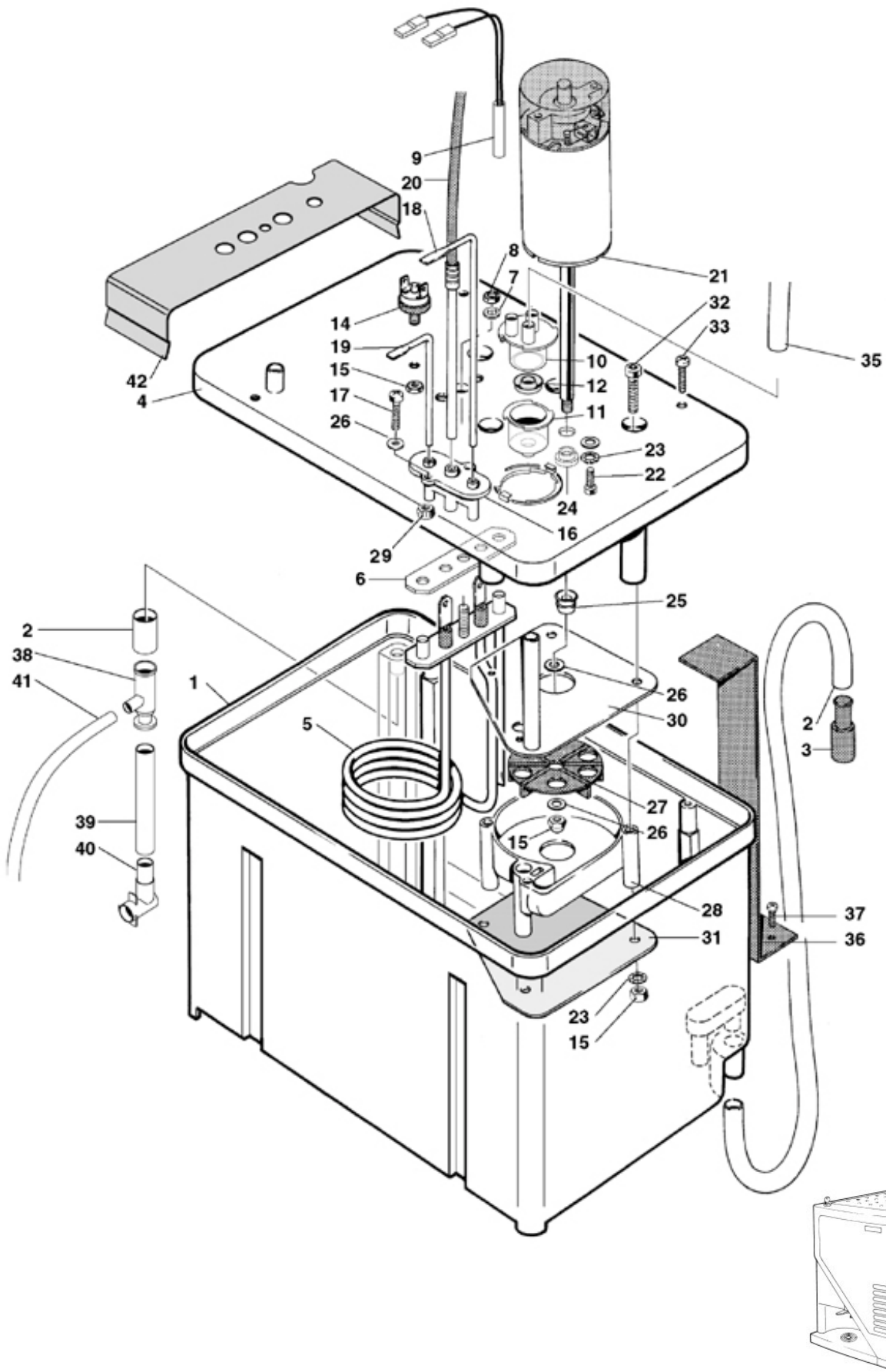


12. Boiler (till Machine-No. 0001999)**12.2****Article**

Pos.-No.	Description	Article-No.
1	BOILER TANK	0600016008
2	TRANSPARENT SILICON PIPE D.10 x 14	TSIL10/14T
3	BOILER DISCHARGE PLUG	650001057
4	BOILER COVER PLUG	0600016041
5	1300W 230V HEATING ELEMENT	0600016042
6	HEATING ELEMENT GASKET	0600016017
7	STAINLESS STEEL FLAT WASHER D.5,3 x 10 x 1	VIT0003203
8	STAINLESS STEEL NUT M5	VIT0004804
9	MANUAL RESET THERMOSTAT 135°C	ELE0000964
10	THERMOSTAT SUPPORT	0600016032
11	THERMOSTAT PROBE SUPPORT	0600016033
12	OR 112	GUA0000065
13	THERMOSTAT CLIP	0600016044
14	MANUAL RESET THERMOSTAT 88°C	ELE0000962
15	STAINLESS STEEL NUT M4	VIT0004816
16	PROBE SUPPORT	0600016059
17	SCREW T.C.B. M4 x 12	VIT0001005
18	MIN. WATER LEVEL PROBE	0600016053
19	MAX. WATER LEVEL PROBE	0600016054
20	PRIMA SOLUBLE PROBE	ELE0000963R
21	MOTOR PUMP 24V	0090003031
22	STAINLESS STEEL SCREW T.C.B. M4 x 16	VIT0001008
23	STAINLESS STEEL EXTERNAL tab D.4,2	VIT0003107
24	STAINLESS STEEL FLAT BUSH	0080001005
25	MIXER SHAFT GASKET	GUA0001006
26	STAINLESS STEEL FLAT WASHER D. 4,3 x 9 x 0,8	VIT0003202
27	PUMP WHEEL	0110030026
28	PUMP BODY	0110030025
29	GASKET DE 062	GUA0002008
30	UPPER PUMP COVER	0600016045
31	LOWER PUMP COVER	0600016048
32	SCREW T.C.E.I. M4 x 40 INOX	VIT0005524
33	SCREW TCCCRT 4,2 x 26	VIT0002461
35	TRANSPARENT SILICONE PIPE D.6 x 9	TSIL06/09T
36	BOILER SECURING PLATE	0010020032
37	TAPPING SCREW T.C.B. 3,5 x 6,5	VIT0002009

13. Boiler (from Machine-No. 0002001)

13.1 Exploded View

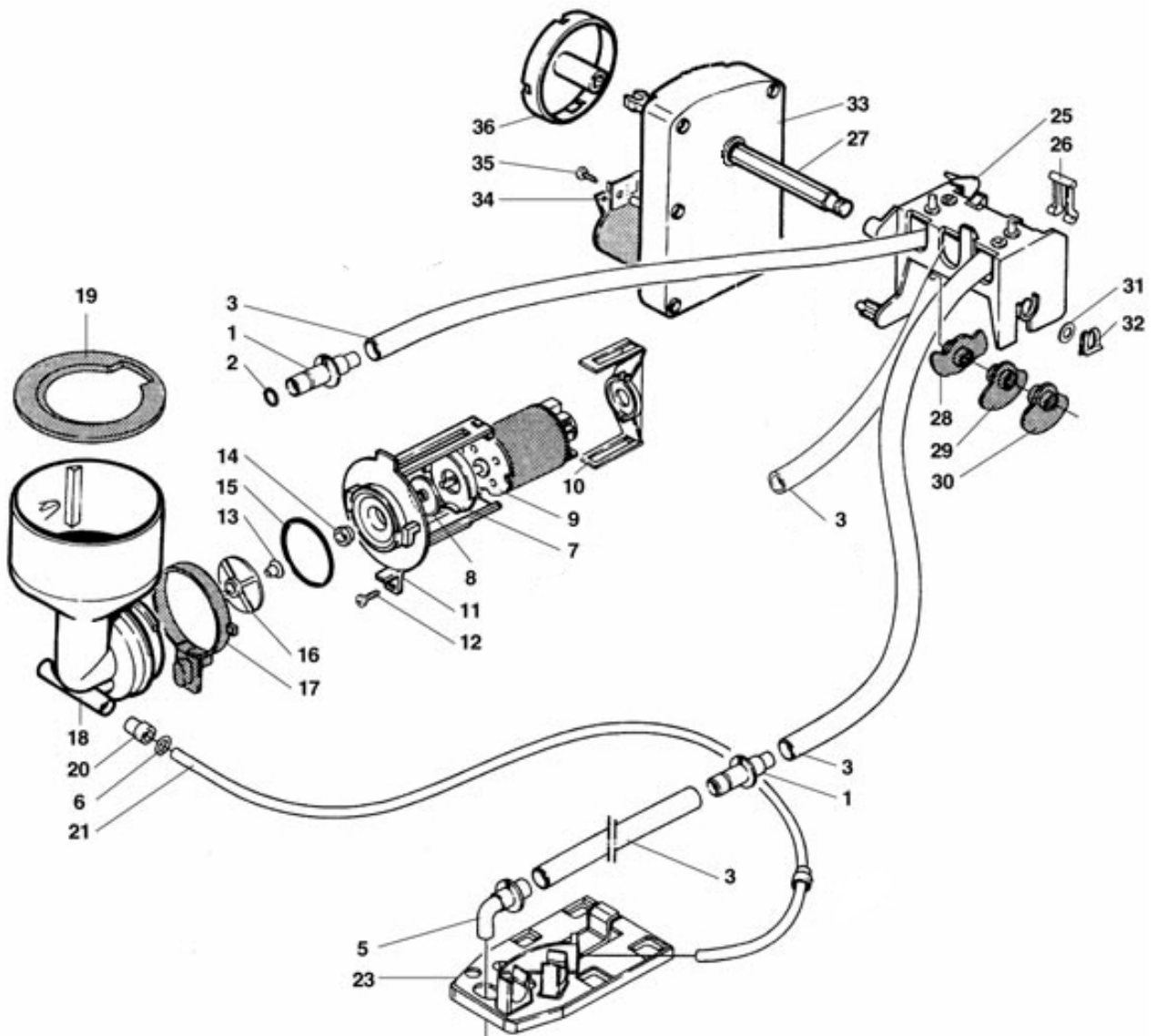


13. Boiler (from Machine-No. 0002001)**13.2****Article**

Pos.-No.	Description	Article-No.
1	BOILER TANK	0600016008
2	TRANSPARENT SILICON PIPE D.10 x 14	TSIL10/14T
3	BOILER DISCHARGE PLUG	650001057
4	BOILER COVER PLUG	0600016049
5	1300W HEATING ELEMENT	0600016067
5a	1600W HEATING ELEMENT	0600016078
6	HEATING ELEMENT GASKET	0600016038
7	STAINLESS STEEL FLAT WASHER D.5,3 x 10 x 1	VIT0003203
8	STAINLESS STEEL NUT M5	VIT0004804
9	STB 121°C	ELE0003026CL
10	TRIPLE FITTING	0600016071
11	TRIPLE FITTING BOTTOM	0600016072
12	SILICONE GASKET DE 062	GUA0002008
14	MANUAL RESET THERMOSTAT 88°C	ELE0000965
15	STAINLESS STEEL NUT M4	VIT0004816
16	PROBE SUPPORT	0600016059
17	SCREW T.C.B. M4 x 12	VIT0001005
18	MIN. WATER LEVEL PROBE	0600016053
19	MAX. WATER LEVEL PROBE	0600016054
20	PRIMA SOLUBLE PROBE	ELE0000963R
21	MOTOR PUMP 24V	0090003031
22	STAINLESS STEEL SCREW T.C.B. M4 x 16	VIT0001008
23	STAINLESS STEEL EXTERNAL tab D.4,2	VIT0003107
24	STAINLESS STEEL FLAT BUSH	0080001005
25	MIXER SHAFT GASKET	GUA0001006
26	STAINLESS STEEL FLAT WASHER D. 4,3 x 9 x 0,8	VIT0003202
27	PUMP WHEEL	0110030026
28	PUMP BODY	0110030025
29	PRESS IN NUT M4	VIT0009202
30	UPPER PUMP COVER	0600016045
31	LOWER PUMP COVER	0600016048
32	SCREW T.C.E.I. M4 x 40 INOX	VIT0005524
35	TRANSPARENT SILICONE PIPE D.6 x 9	TSIL06/09T
36	BOILER SECURING PLATE	0010020032
37	TAPPING SCREW T.C.B. 3,5 x 6,5	VIT0002009
38	BOILER T	0600016028
39	TRANSPARENT SILICONE PIPE D.7 x 11	TSIL07/11T
40	OVERFLOW FITTING	0600016030
41	TRANSPARENT SILICONE PIPE D.5 x 8	TSIL05/08T
42	CLOSURE COVER CLIP	0600016002
*	BOILER ASSEMBLY (POS. 1-33 AND 38-42)	0600016065R

14. Mixing bowl / Aqua portioning system (till Machine-No. 0201999)

14.1 Exploded View



14. Mixing bowl / Aqua portioning system (till Machine-No. 0201999)

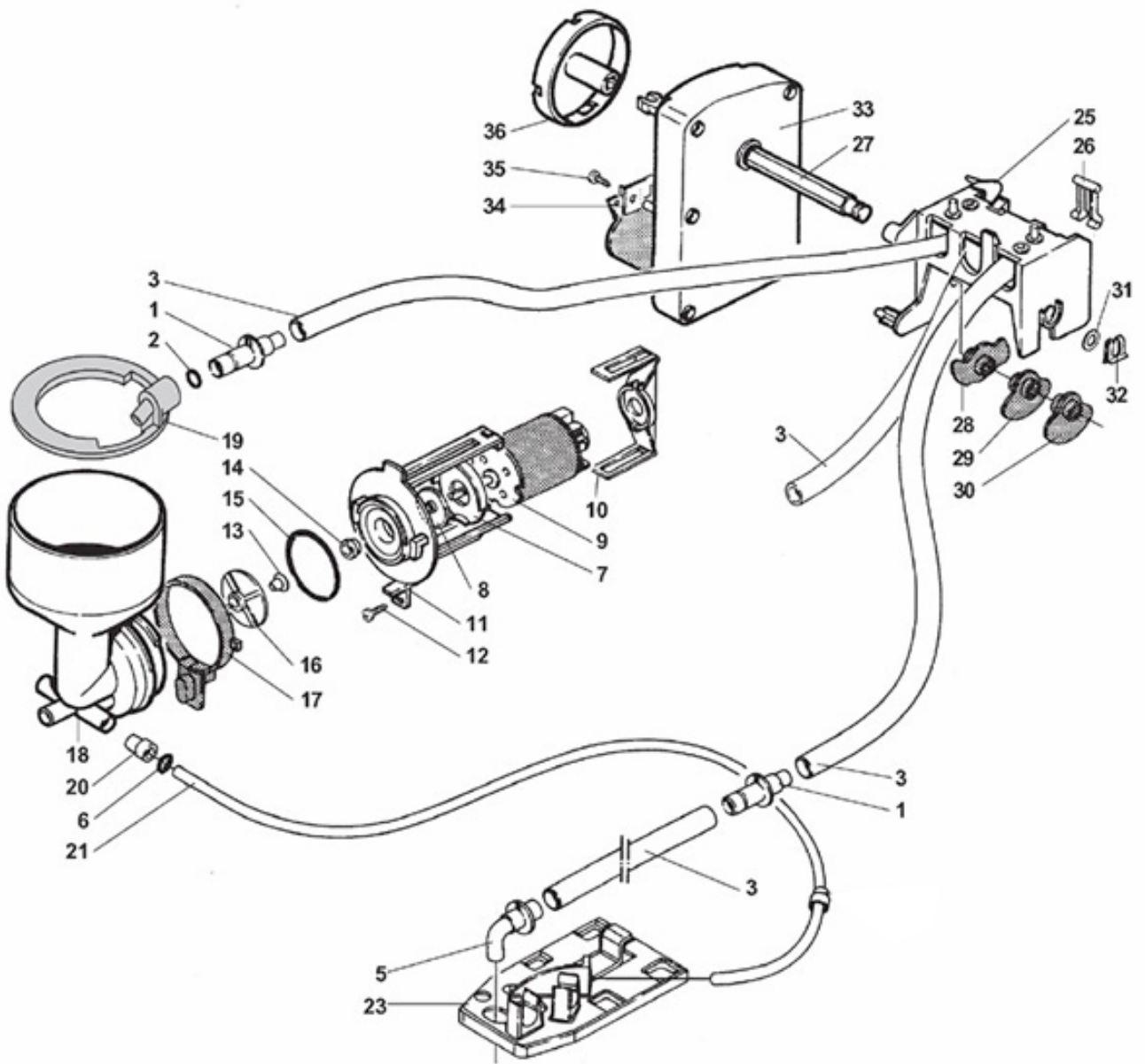
14.2

Article

Pos.-No.	Description	Article-No.
1	MIXER CONNECTION	0080100013
2	SILICONE OR106	GUA0000085
3	TRANSPARENT SILICONE PIPE D.6 x 9	TSIL06/09T
5	INGREDIENT PIPE FROM KW42/97	0010020052
6	SILICONE 2025 OR	GUA0000087
7	MIXER COVER	0080100023
8	DRIP TRAP FAN	0080100024
9	24V DC MIXER MOTOR SHAFT D.4 FROM KW 45/97	0090003023
10	MOTOR HOUSING CONNECTION FROM KW 45/97	0080100009
11	MIXER BASE	0080100005
12	TAPPING SCREW TCB 3,5 x 9,5	VIT0002401
13	MIXER SHAFT GASKET D.4 FROM KW 45/97	0080100014
14	MIXER BASE BUSH FROM KW 45/97	0080100015
15	OR 3131	GUA0000084
16	SMALL FAN MIXER SHAFT D.4 FROM KW 45/97	0080100011
17	STOPPER RING FROM KW 45/97	0080100006
18	MIXER BODY WITH TRAY	0080100007
19	TRAY RING	0080100008
20	COFFEE OUTLET REDUCTION D.4	0080100019
21	OUTLET PIPE FOR COFFEE ASSEMBLY	0010020056R
23	SUPPORT FOR PRODUCT PIPE	0010020051
25	CAM SUPPORT	0110030005
26	CLOSING LEVER	0110030013
27	SHAFT FOR CAMS	0110030006
28	CAM 2	0110030008
29	CAM 3	0110030009
30	CAM 1	0110030007
31	WASHER 8 x 14 x 0,5	VIT0003010
32	STOP CLIP D.8	VIT0009162
33	24V D.C. GEAR MOTOR 24 R.P.M.	0090002109
34	CAM PIPE SENSOR	SCH0002680
35	TAPPING SCREW TCB 3,5 x 12	VIT0002452
36	POSITION DISK	0110030015
*	MIXER BASE + MOTOR ASSEMBLY FROM KW 45/97 (POS. 7 – 16)	0080100001R
*	XS-H CAM DISPENSER (POS. 25 – 36)	0110030001R

15. Mixing bowl / Aqua portioning system (from Machine-No. 0202001)

15.1 Exploded View



15. Mixing bowl / Aqua portioning system (from Machine-No. 0202001)

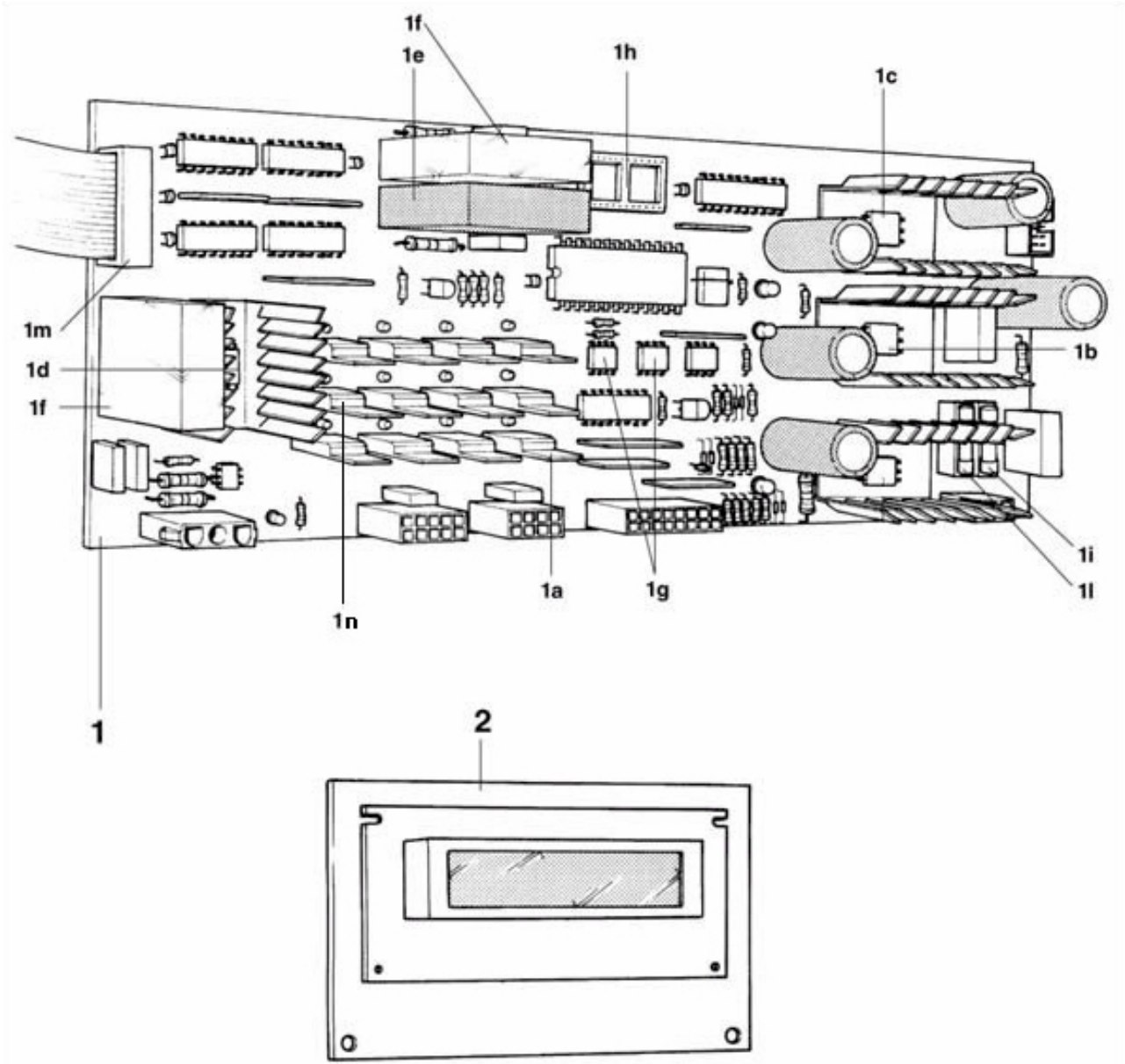
15.2

Article

Pos.-No.	Description	Article-No.
1	MIXER CONNECTION FROM KW 04/02	0080100043
2	SILICONE OR 106	GUA0000085
3	TRANSPARENT SILICONE PIPE D.6 x 9	TSIL06/09T
5	INGREDIENT PIPE FROM KW42/97	0010020052
6	SILICONE 2025 OR	GUA0000087
7	MIXER COVER	0080100023
8	DRIP TRAP FAN	0080100024
9	24V DC MIXER MOTOR SHAFT D.4 FROM KW 45/97	0090003023
10	MOTOR HOUSING CONNECTION FROM KW 45/97	0080100009
11	MIXER BASE	0080100005
12	TAPPING SCREW TCB 3,5 x 9,5	VIT0002401
13	MIXER SHAFT GASKET D.4 FROM KW 45/97	0080100014
14	MIXER BASE BUSH FROM KW 45/97	0080100015
15	OR 3131	GUA0000084
16	SMALL FAN MIXER SHAFT D.4 FROM KW 45/97	0080100011
17	STOPPER RING FROM KW 45/97	0080100006
18	BODY WITH TRAY FROM KW 04/02	0080100041
19	TRAY RING FROM KW 04/02	0080100042
20	COFFEE OUTLET REDUCTION D.4	0080100019
21	OUTLET PIPE FOR COFFEE ASSEMBLY	0010020056R
23	SUPPORT FOR PRODUCT PIPE	0010020051
25	CAM SUPPORT	0110030005
26	CLOSING LEVER	0110030013
27	SHAFT FOR CAMS	0110030006
28	CAM 2	0110030008
29	CAM 3	0110030009
30	CAM 1	0110030007
31	WASHER 8 x 14 x 0,5	VIT0003010
32	STOP CLIP D.8	VIT0009162
33	24V D.C. GEAR MOTOR 24 R.P.M.	0090002109
34	CAM PIPE SENSOR	SCH0002680
35	TAPPING SCREW TCB 3,5 x 12	VIT0002452
36	POSITION DISK	0110030015
*	MIXER BASE + MOTOR ASSEMBLY FROM KW 45/97 (POS. 7 – 16)	0080100001R
*	XS-H CAM DISPENSER (POS. 25 – 36)	0110030001R

16. CPU E-Prom (till Machine-No. 03279999)

16.1 Exploded View

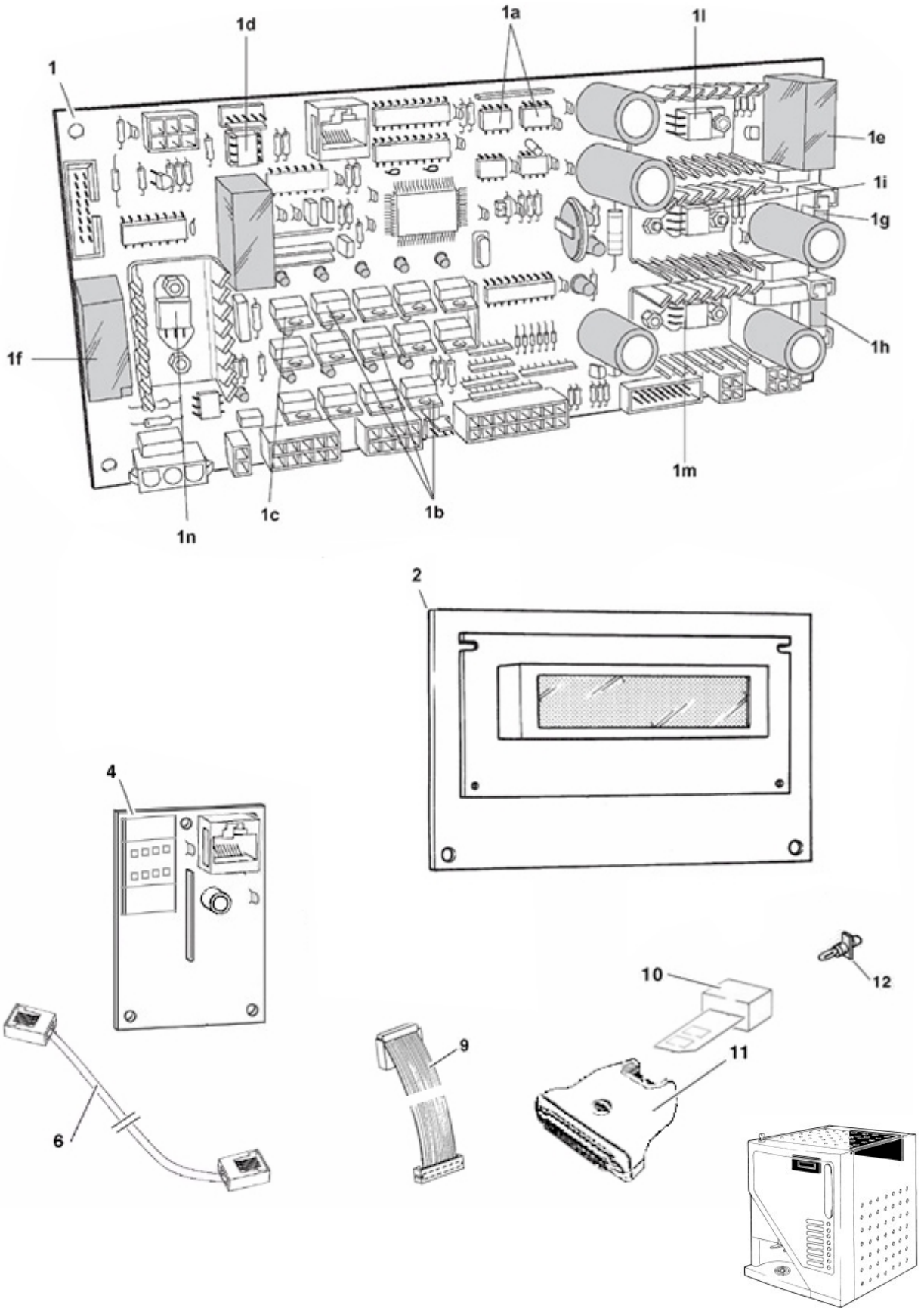


16. CPU E-Prom (till Machine-No. 03279999)**16.2****Article**

Pos.-No.	Description	Article-No.
1	PRIMA CPU BOARD AND POWER CONTROL	SCH0002640
1a	TRANSISTOR BDW 93C	ELT0004020
1b	INTEGRATED CIRCUIT 7812	ELT0030305
1c	INTEGRATED CIRCUIT 7805	ELT0030301
1d	TRIAC BTA16-600B	ELT0004207
1e	2-WAY 24V D.C. 10A RELAY	ELT0007159
1f	1-WAY 24V D.C. 10A RELAY	ELT0007151
1g	EAROM 93C66	ELT0030064
1h	EPROM 27C512	ELT0030059
1i	6,3 A SLOW-BLOW GLASS FUSE 5 x 20	ELE0003004
1l	2 A RAPID GLASS FUSE 5 x 20	ELE0003025
1m	RIBBON CABLE 16P.	ELT0030471
1n	TRANSISTOR BTS133	ELT0004025
2	DISPLAY BOARD	SCH0002660

17. CPU Flash Card (from Machine-No. 03280001)

17.1 Exploded View

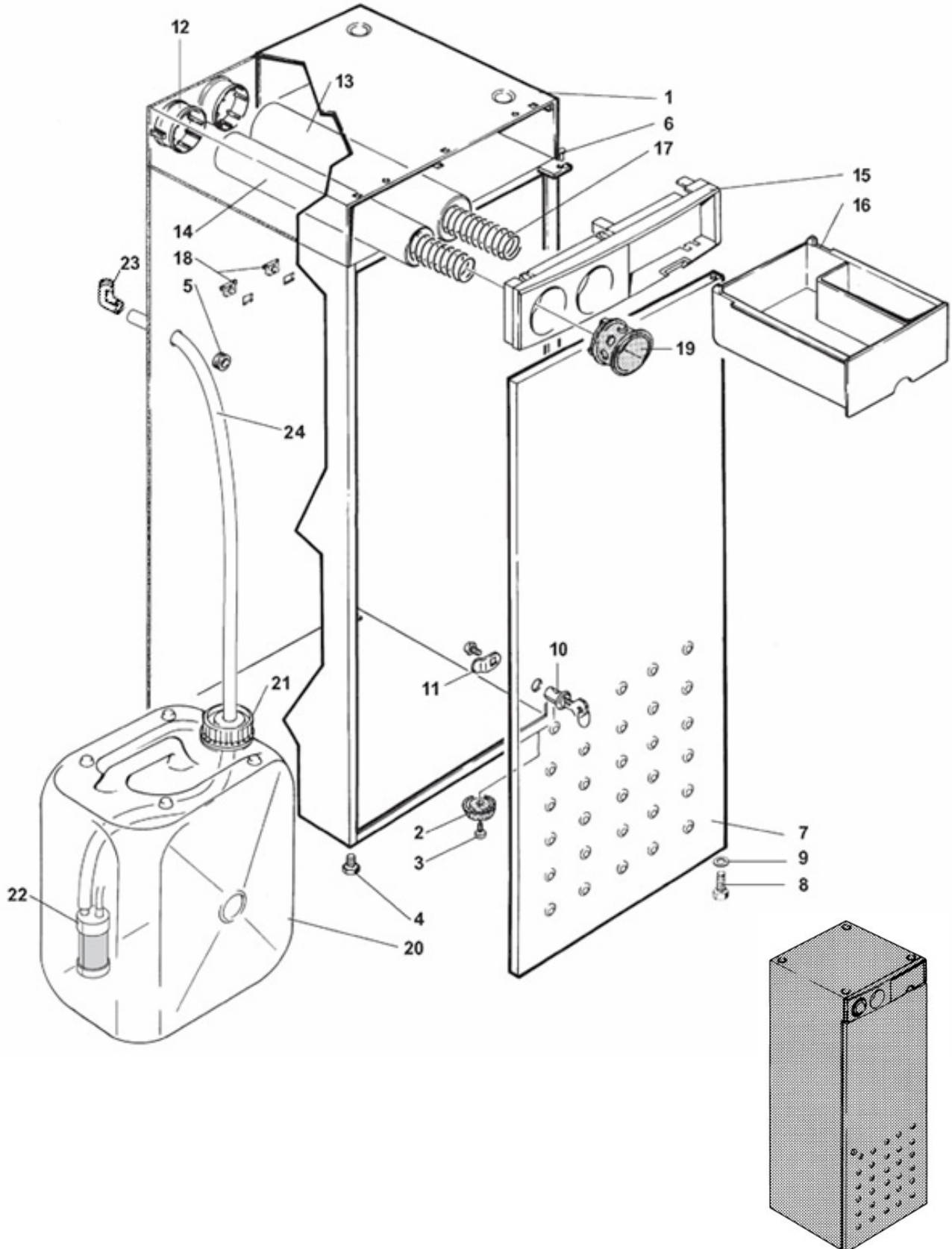


17. CPU Flash Card (from Machine-No. 03280001)**17.2****Article**

Pos.-No.	Description	Article-No.
1	PRIMA CPU BOARD AND POWER CONTROL	SCH0004400
1a	EAROM 25LC640	ELT0030067
1b	TRANSISTOR BTS 133	ELT0004025
1c	TRANSISTOR BDW 93C	ELT0004020
1d	INTEGRATED CIRCUIT MCT6	ELT0030140
1e	2-WAY 24V D.C. 10A RELAY	ELT0007159
1f	1-WAY 24V D.C. 10A RELAY	ELT0007151
1g	6,3 A SLOW-BLOW GLASS FUSE 5 x 20	ELE0003004
1h	2 A RAPID GLASS FUSE 5 x 20	ELE0003025
1i	TRANSISTOR BTS 141	ELT0004026
1l	INTEGRATED CIRCUIT 7812	ELT0030305
1m	INTEGRATED CIRCUIT 7805	ELT0030301
1n	TRIAC BTA16	ELT0004207
2	DISPLAY BOARD	SCH0005280
4	FLASH CARD INTERFACE	SCH0004500
6	PATCH CABLE 8P. RJ45	ELT0030564
9	RIBBON CABLE 16P.	ELT0030471
9a	RIBBON CABLE 10P.	ELT0030531
10	FLASH CARD 1MB	ELT0030068
11	FLASH CARD READER 25P. SUB-D	ELT0030069
12	HOLDING CLIP FOR PCB	ELE0062008
*	FLASH CARD SET (2x POS.10 / 1x POS.11) + SOFTWARE CD-ROM	500008

18. XS-Base

18.1 Exploded View



18. XS-Base

18.2

Article

Pos.-No.	Description	Article-No.
1	FLOOR-STANDING CABINET	0010020316
2	CABINET FEET	GUA0011001
3	TAPPING SCREW TCB 3,5 x 9,5	VIT0002401
4	SCREW TE M8 x 25	VIT0000215
5	MEMBRANE CORE HITCH Ø 21	GUA0010502
6	DOOR HINGE UPPER PIN	0010020313
7	DOOR FOR FLOOR-STANDING CABINET	0010020317
8	SCREW TE M4 x 10	VIT0000205
9	WASHER D. 8 x 4,3 x 0,8	VIT0003003
10	BOX 5 RAPID EXTENSION LOCK	SER0000010
11	DOOR LOCK BRACKET TYPE 6	SER0001008
12	CUP TUBE SUPPORT	0010020324
13	CUP GUIDING TUBE DIAM. 70	0010020325
14	CUP GUIDING TUBE DIAM. 55	0010020326
15	FRONT COVER FOR CABINET	0010020311
16	FRONT COVER DRAWER	0010020312
17	CUP PUSHING SPRING	0010020334
18	NUT IN RETAINER M4	VIT0009104
19	REDUCTION FOR CUPS D.55	0010020318
20	20 LT. CANISTER	CON0000304
21	CANISTER PLUG	CON0000305
22	IMMERSION PUMP	0013657900
23	ELBOW 3/8"	0100003013
24	TRANSPARENT SILICON PIPE D.7 x 11	TSIL07/11T
*	IMMERSION PUMP KIT (POS. 22 – 24)	100520
*	IMMERSION PUMP KIT WITH TANK (POS. 20 – 24)	100501

FAX – Order

for Spare parts

to
servomat steigler
Robert-Bosch-Str. 3
89179 Beimerstetten

Date: _____

Page: _____ from: _____

Fax-No.: **+49-(0)7348-9566-25** **Customer- No.:**

Did your address change since the last order? yes no

Quantity	Article-Number	Description
_____	_____	_____
_____	_____	_____
_____	_____	_____
_____	_____	_____
_____	_____	_____
_____	_____	_____
_____	_____	_____
_____	_____	_____
_____	_____	_____
_____	_____	_____
_____	_____	_____
_____	_____	_____
_____	_____	_____
_____	_____	_____
_____	_____	_____
_____	_____	_____
_____	_____	_____
_____	_____	_____
_____	_____	_____
_____	_____	_____

Delivery address equal invoice address yes no

If no – Delivery address :

Firmstamp/Date/Signature

Your name: _____
Please write legibly

Ihr Service und Beratungspartner