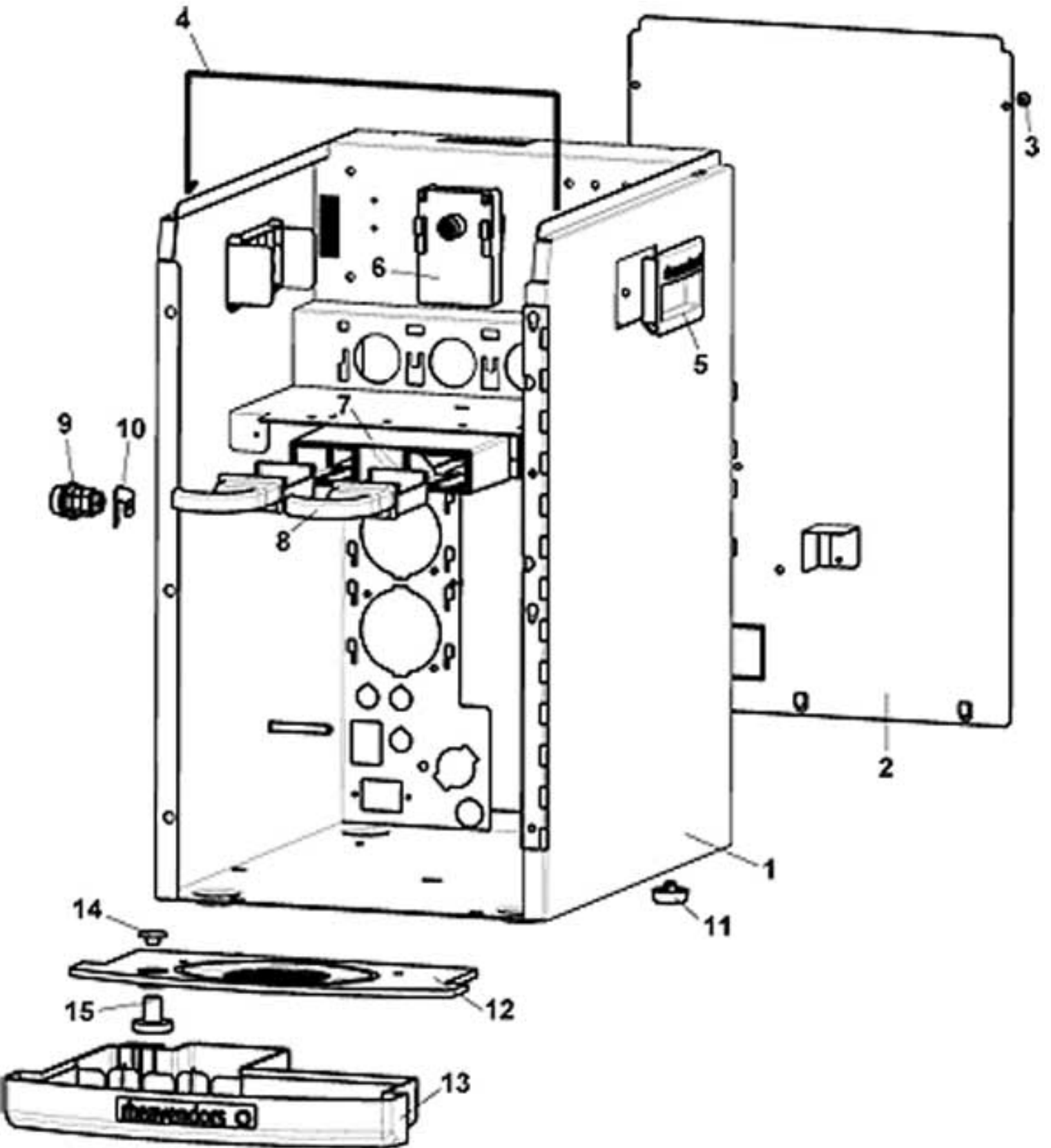


rheavendors 

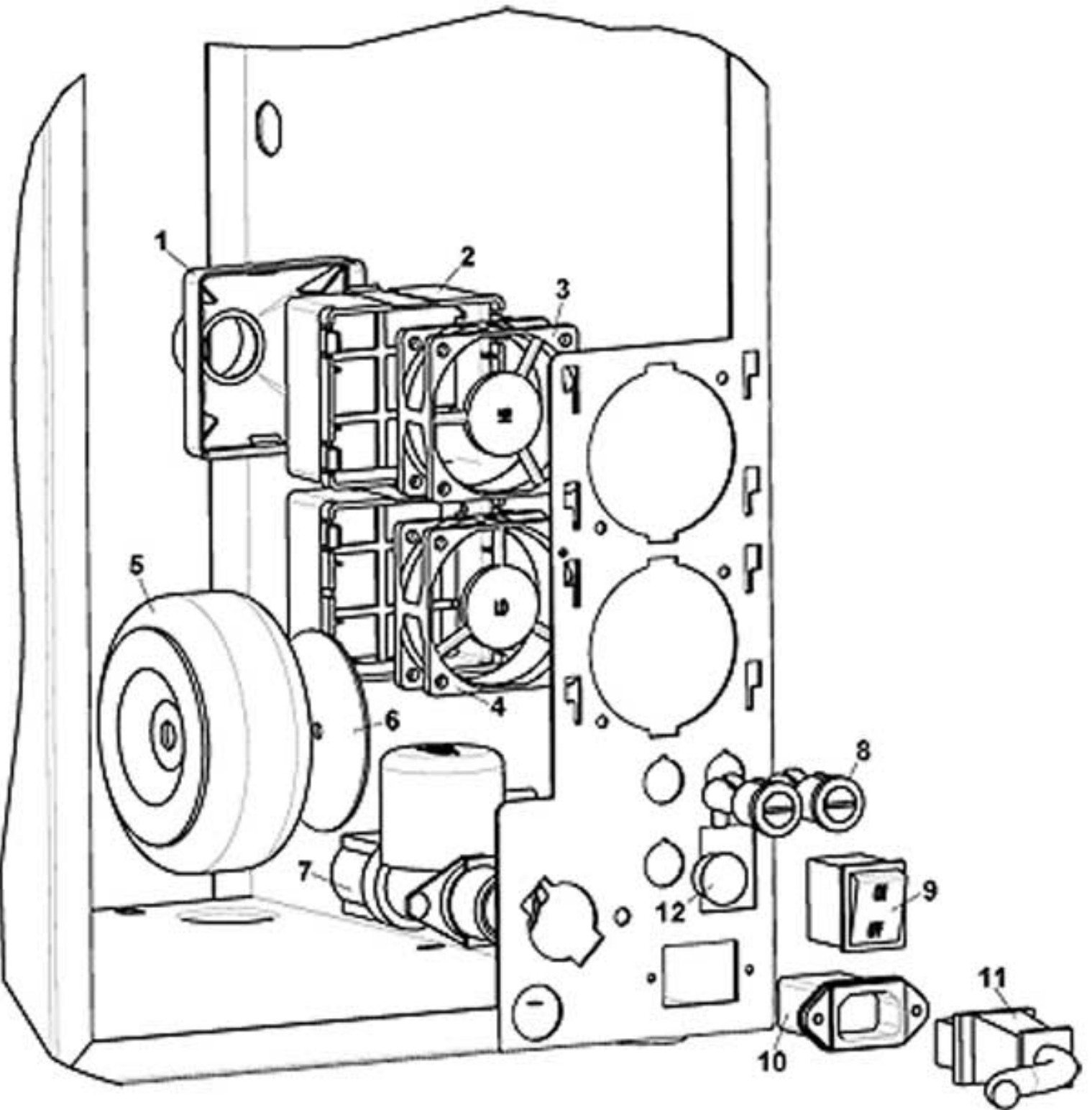
vending machine

[XX OC]

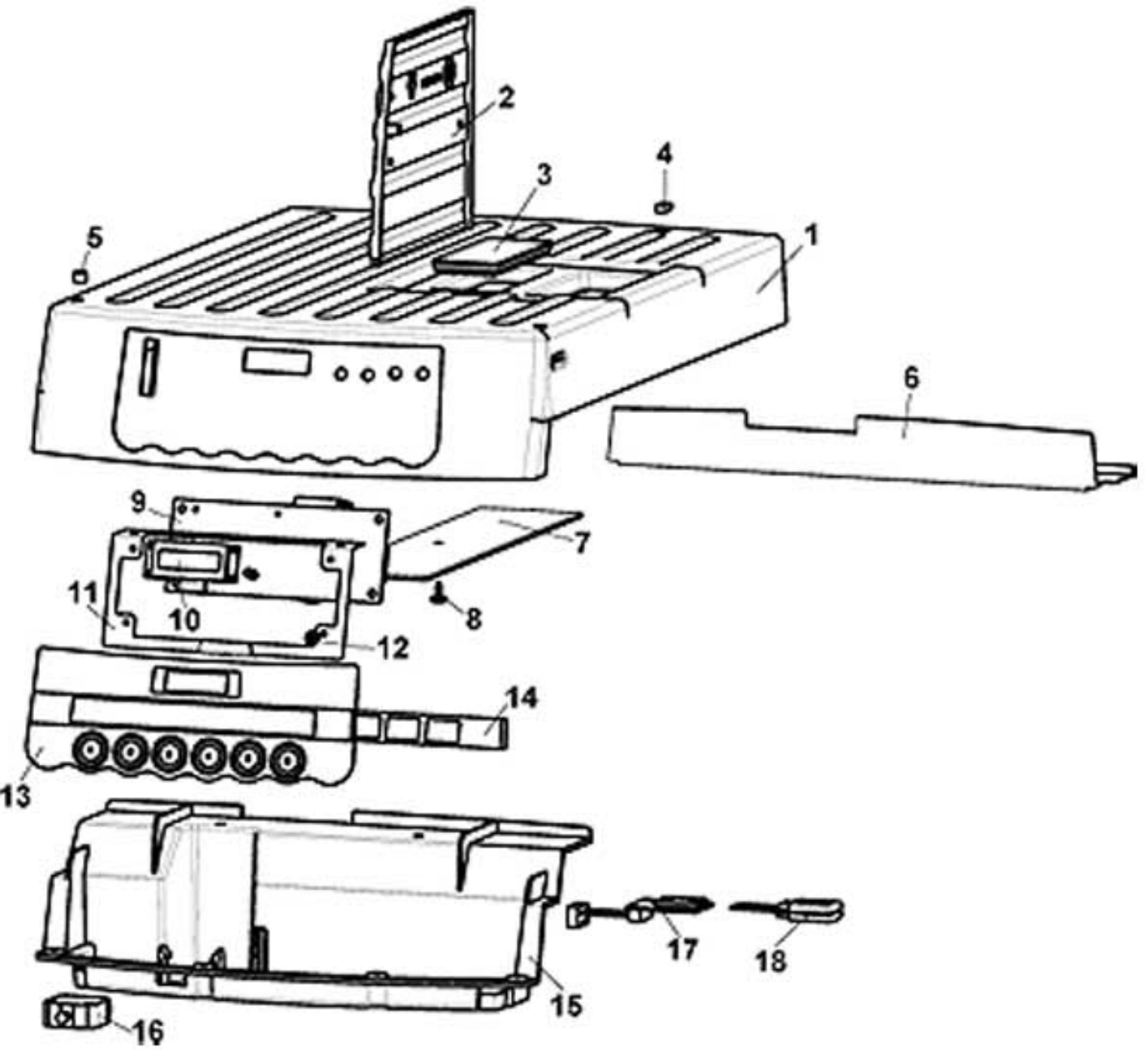
spare parts manual



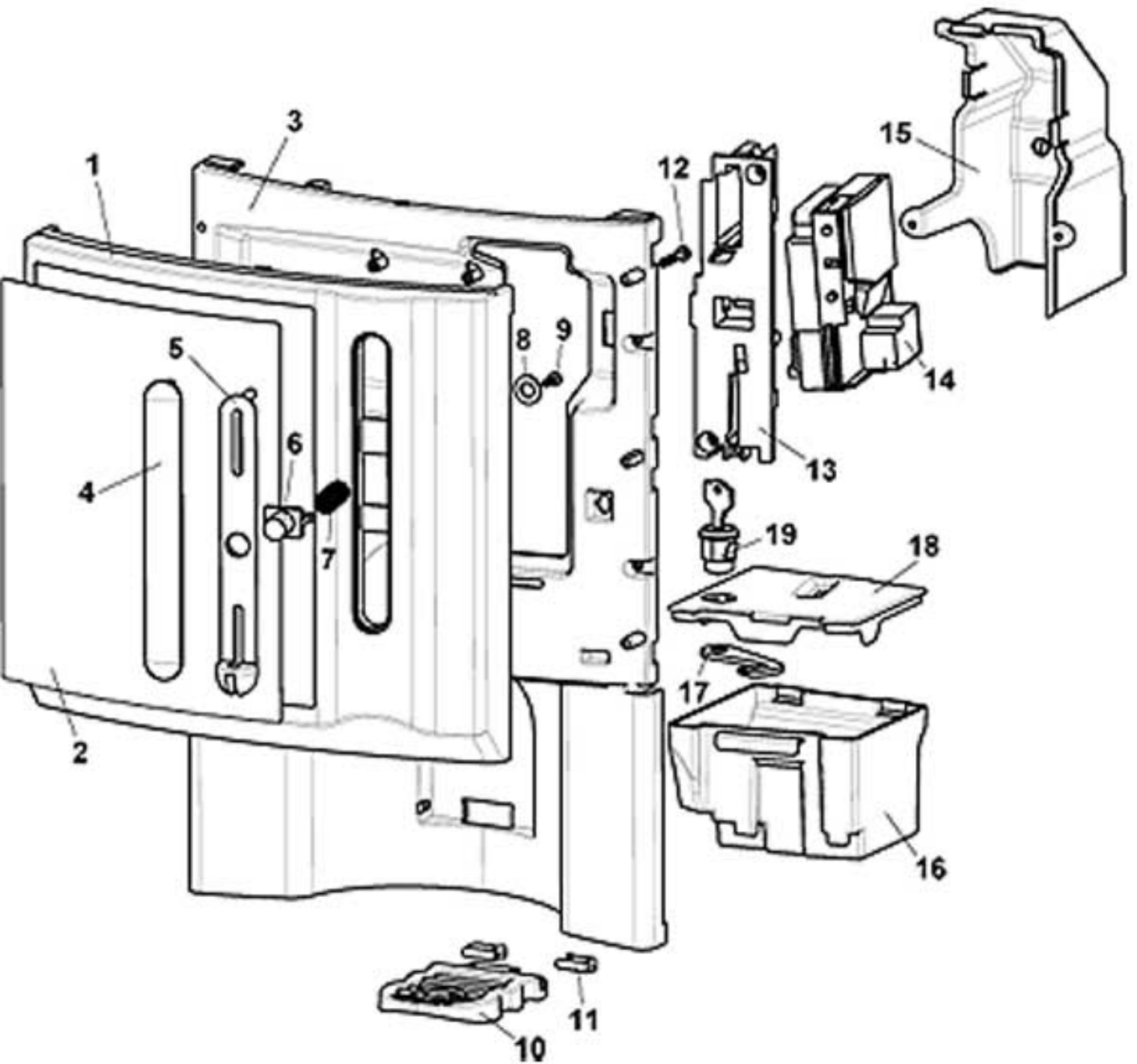
Pos.	Code	Description
1	0010027335	XX OC CABINET STRUCTURE
2	0010027318	BACK COVER
3	VIT0002401	TAPPING SCREW TCB 3.5 x 9.5
4	0010027262	UPPER COVER CONNECTION
5	0010027058	EXTERNAL HANDLE
6	0090002113	MR NCJM2480-X 24VDC
7	0010027021	EXHAUST DRAWER
8	0010027022	EXTERNAL EXHAUST DRAWER
9	SER0000024	LOCK 154 BOX 5 DT mm 20 RAPID
10	0020035615	LOCK BRACKET
11	GUA0011011	D.25 SELFLOCKING FEET WITH PIN
12	0020037117	WATER COLLECTION TRAY GRATE
13	0020037116	WATER TRAY
14	0020037045	FLOATER "T"RAL3020 XX
15	0020037046	FLOATER "T"RAL3020 XX



Pos.	Code	Description
1	0010027065	CONNECTION CONDUIT
2	0010027064	FAN TRAY
3	ELE0000461	AXIAL FAN AD0624HS 24DC
4	ELE0000462	AXIAL FAN FL0625LD 24DC
5	ELE0000555CL	TOROIDAL TRANSFORMER 230V
6	0010027319	TRANSFORMER DISK
7	0110001039	24 DC INLET VALVE W/SAFETY DEV.
8	ELE0003508CL	FUSES HOLDER FH-C0345+FUSE12A
9	ELE0002014	15A 250V ON/OFF UL/CSA BIPOLAR SWITCH
10	ELE0002315	FILTER SOCKET 115/250V 10A
11	ELE0055008	POWER LEAD 3 x 1 SOCKET AND SCHUKO PLUG
12	GUA0011010	RELEASE PLUG

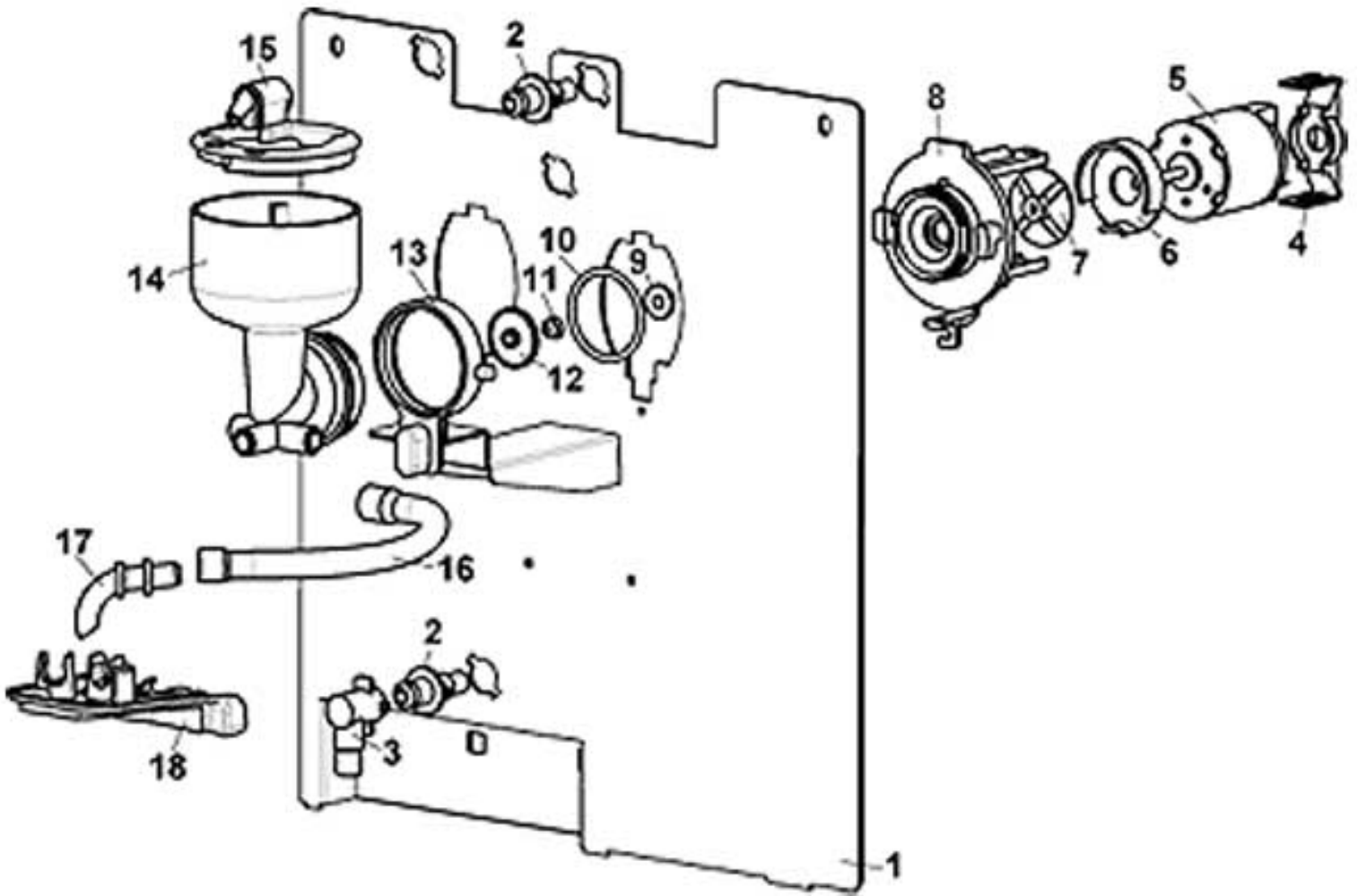


Pos.	Code	Description
1	0010027251	UPPER COVER
2	0010027252	H2O COVER
3	0010027259	H2O HOLE PLUG
4	0010027343	RING SUPPORT PLUG
5	0010027344	RING PLUG
6	0010027260	UPPER COVER HINGE
7	0010027254	CABLES COVER
8	VIT0002401	TAPPING SCREW TCB 3.5 x 9.5
9	See table	CONTROL AND POWER LOGIC
10	See table	CONTROL AND POWER LOGIC
11	0010027268	DISPLAY BOARD SUPPORT
12	VIT0002009	TAPPING SCREW T.C.B. 3,5 x 6,5
13	0010027351	KEYBOARD
14		
15	0010027253	
16	ELE0002019	SWITCH 16A-250V UL
17	See table	CONTROL AND POWER LOGIC
18	0020040310CL	RHEA FLASH MEMORY

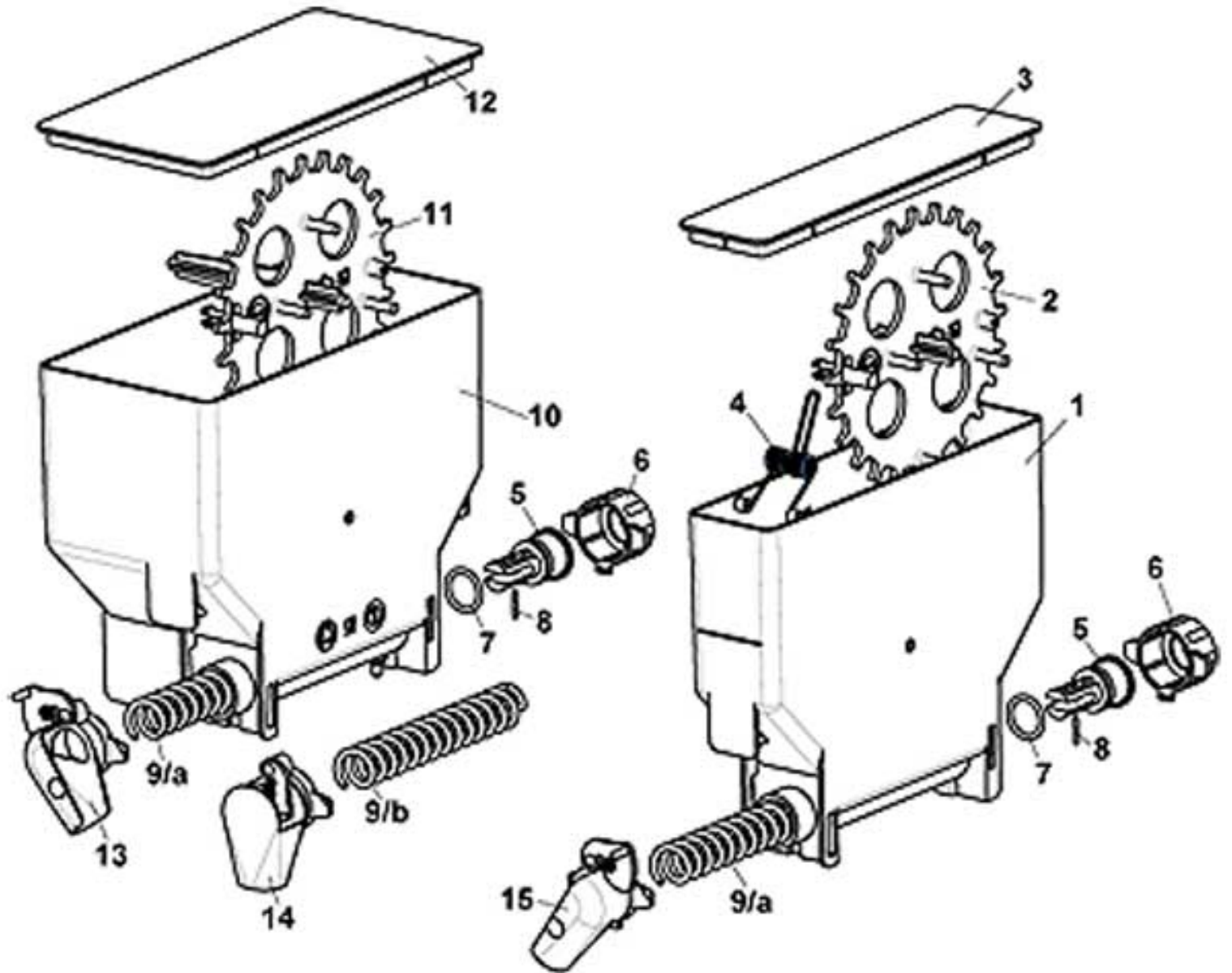


Pos.	Code	Description
1	0020037143	XX OC DOOR
2		
3	0020037142	DOOR STRUCTURE
4	0020035029	COIN BOX BLOCKING TAB
5	0020035031	COIN BOX TAB
6	0020035033	COIN RETURN BUTTON 3020
7	0020035034	COIN RETURN BUTTON SPRING
8	VIT0003006	8.4x17x1.6 WASHER
9	VIT0002452	TAPPING SCREW TCB 3.5 x 12
10	0020037122	CUP SUPPORT TRAY
11	0020037124	CUP SUPPORT PIN
12	VIT0002461	SCREW TCCCRT 4,2 x 26
13	0020035032	
14		
15	0020037129	COIN BOX PROTECTION
16	0020037126	COIN BOX
17	0020037128	COIN BOX HOOK
18	0020037127	COIN BOX COVER
19	SER0000015	154 RAPID BOX LOCK
100	0020037125CL	

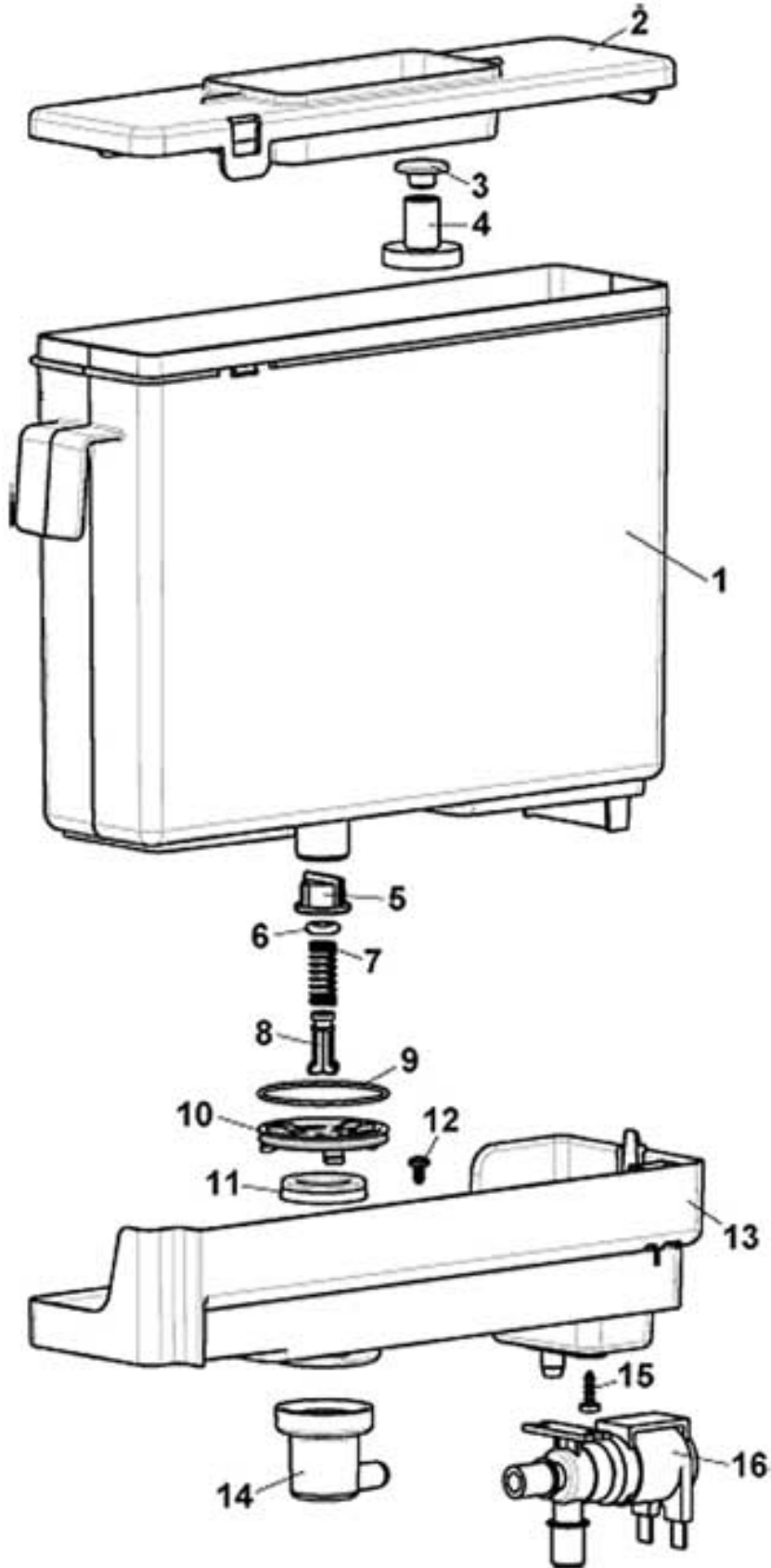
*



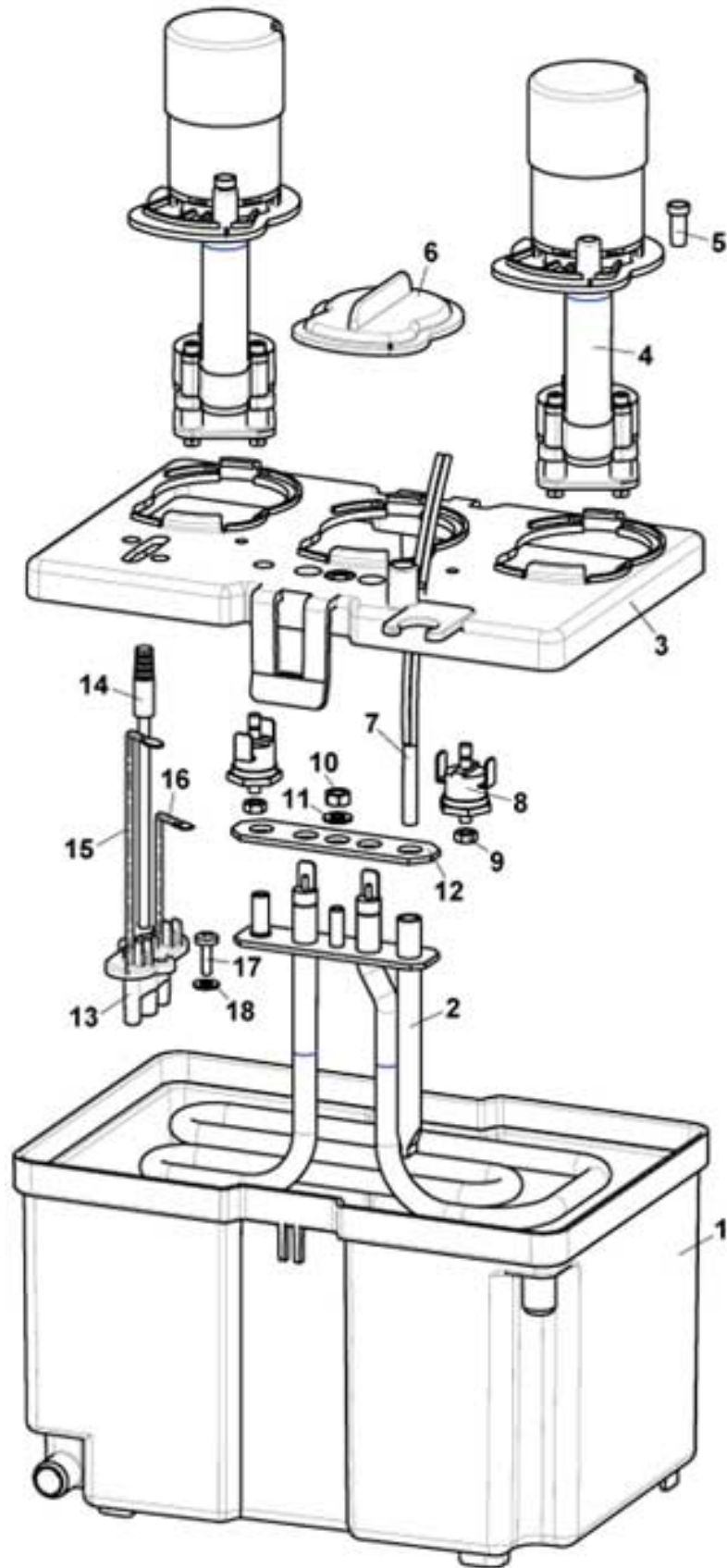
Pos.	Code	Description	
1	0010027315	MIXER PLAN	
2	0080100043	SHORT MIXER INSERT	
3	0600016030	Overflow fitting	
4	0080100009	MOTOR HOUSING CONNECTION	
5	0090003023	24 V DC MIXER MOTOR SHAFT D.4	
6	0080100023	MIXER COVER	
7	0080100011	SMALL FAN MIXER SHAFT D.4	
8	0080100005	MIXER BASE	
9	0080100015	MIXER BASE BUSH	
10	GUA0000084	OR 3131	
11	0080100014	MIXER SHAFT GASKET D.4	
12	0080100024	DRIP TRAP FAN	
13	0080100006	STOPPER RING	
14	0080100041	MIXER BODY NO INLET	
15	0080100042	MIXER TRAP WITH INLET	
16	TSIL06/11T	TRANSPARENT SILICONE PIPE	
17	0010020052	INGREDIENT PIPE	
18	0020037123	PIPES SUPPORT	
100	0080100001R	MIXER BASE+MOTOR ASSEMBLY	assieme



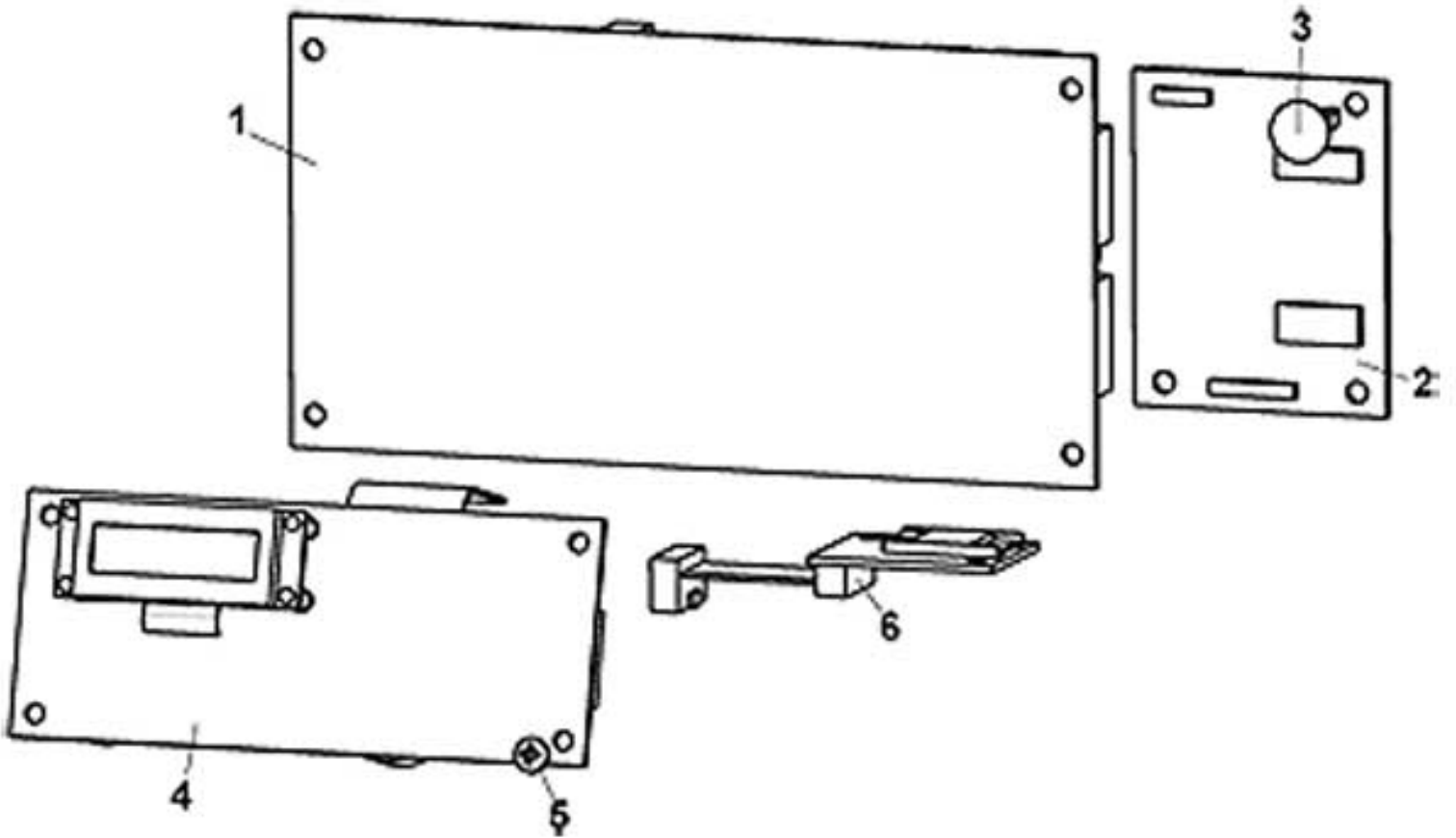
Pos.	Code	Description
1	0230030155	PLASTIC INGREDIENT CONTAINER 55 mm. PP
2	0230030159	MIXER GEAR
3	0230030156	CONTAINER COVER 54 mm.
4	0230030052	ANTIBRIDGING
5	0230030012	WORM SCREW PIN
6	0230030011	REAR BUSH
7	GUA0000083	OR 123
8	VIT0005301	ELASTIC PIN D.2 x 14
9/a	0230030013	WORM SCREW P. 9
9/b	0230030014	WORM SCREW P.18
10	0230030157	PLASTIC INGREDIENT CONTAINER 110 mm. PP
11	0230030161	MIXER GEAR mm.110
12	0230030158	CONTAINER COVER 110 mm.
13/a	0230030018R	RIGHT CONVEYOR INGREDIENT
13/b	0230030044R	RIGHT CONVEYOR INGREDIENT
14/a	0230030019R	CONVEYOR INGREDIENT
14/b	0230030055R	CONVEYOR INGREDIENT
15/a	0230030017R	LEFT CONVEYOR INGREDIENT
15/b	0230030043R	LEFT CONVEYOR INGREDIENT
100	0230030164R	CONT. PROD. PICCOLO 54 mm VSF18 C/COPERCHIO - AGITATORE.UL
101	0230030155R	INGREDIENT CONTAINER 54 mm WORM SCREW 18 WITHOUT FEEDER
102	0230030156R	PRODUCT CONTAINER 54 mm WORM SCREW 9 WO/FEEDER
103	0230030159R	PROD. CONT. 110 mm WORM SCREW 112 mm WORM SCREW WO/FEEDER L.H. OUTLET
104	0230030013CL	PIN WORM SCREW P. 9 ASSEMBLED
105	0230030014CL	PIN WORM SCREW P. 18 ASSEMBLED



Pos.	Code	Description
1	0800012506	WATER TANK
2	0800012507	COVER WATER TANK
3	0020037045	FLOATER "T"RAL3020 XX
4	0020037046	FLOATER "T"RAL3020 XX
5	0110020011	FILTER
6	GUA0000082	SILICONE GASKET D.6 CORD 3
7	0800012012	CLOSING PIN SPRING
8	0800012009	WATER TANK CLOSING PIN
9	GUA0000046	2137 OR
10	0800012515	STO GASKET RING
11	GUA0002100	GASKET GU84-118075 SILIC.
12	VIT0002015	STAINLESS STEEL SCREW TBC 3.5 x 9.5 INOX
13	0800012511	SUPPORT WATER TANK
14	0800012512	WATER TANK ELBOW
15	VIT0002452	TAPPING SCREW TCB 3.5 x 12
16	0110001103	EV NC.2VIE S/R 24DC D.7
100	0800012500CL	WATER TANK ASSEMBLED
101	0800012511CL	WATER TANK ASSEMBLED SUPPORT



Pos.	Code	Description
1	0600016401	BOILER TANK
2	0600016415	1300W 230V HEATING ELEMENT
3	0600016402	BOILER COVER
4	0600016405R	BOILER PUMP
5	0600016425	REDUCTION
6	0600016422	PUMP COVER
7	ELE0003026CL	121° FUSE ASSEMBLED
8	ELE0000965	MANUAL RESET THERMOSTAT 88°C
9	VIT0004816	STAINLESS STEEL NUT M4
10	VIT0004804	STAINLESS STEEL NUT M5
11	VIT0003203	STAINLESS STEEL FLAT WASHER D.5.3 x 10 x 1
12	0600016038	HEATING ELEMENT GASKET
13	0600016059	PROBE SUPPORT
14	ELE0000963R	PRIMA SOLUBLE PROBE
15	0600016053	MIN. WATER LEVEL PROBE
16	0600016054	MAX WATER LEVEL PROBE
17	VIT0001005	SCREW T.C.B. M 4 x 12
18	VIT0003211	STAINLESS STEEL FLAT WASHER D.4,3 x 9 x 0,8
100	0600016400CL	BOILER ASSEMBLY 230V XX



Pos.	Code	Description
1	SCH0005360	CPU POWER
2	SCH0006360	SLOT INTERFACE
3	ELE0062013	BOARD SUPPORT
4	SCH0005840	DISPLAY BOARD
5	VIT0002009	TAPPING SCREW T.C.B. 3,5 x 6,5
6	SCH0005860	FLASH BOARD