

distributore automatico

[XM E]

Schemi elettrici

allegato al distributore automatico

Schema électrique

annexe au distributeur automatique

Esquema eléctrico

allegado al distribuidor automatico

Electrical plan

enclosure to the automatic vending machine

Schalteplane beilage

des automaten

MANSCH102 1900 000
REV.00 23/03/2001

Legenda schemi elettrici	LE 140 00 001
Schema elettrico	EL 140 00 001
Legende du schema electrique	LE 140 00 001
Schema electrique	EL 140 00 001
Leyenda esquema electrico	LE 140 00 001
Esquema electrico	EL 140 00 001
Electrical plan list	LE 140 00 001
Electrical scheme	EL 140 00 001
Elektrische Schaltplänelegende	LE 140 00 001
Elektrische Schaltpläne	EL 140 00 001

POS.	SIGLA	DENOMINAZIONE
200	FU1-FU2	FUSIBILI PRINCIPALI 6,3 A RITARDATI
	IG	INTERRUTTORE GENERALE
	SWD	INTERRUTTORE DI SICUREZZA PORTA
	F	FILTRO ANTIDISTURBO
201	Q16P	REGOLATORE TEMPERATURA CALDAIA
	TMS1	DISPOSITIVO TERMICO DI SICUREZZA CALDAIA A RIPRISTINO MANUALE
	RB 1	RESISTENZA CALDAIA
	K 3C	RELÈ POMPA ALIMENTAZIONE AUTONOMA ACQUA
	D 1	DIODO POMPA
	PMP 1	POMPA ALIMENTAZIONE AUTONOMA ACQUA
202	FU 5	FUSIBILE 5 A RITARDATO CIRCUITO 230 V
	K 2E	RELÈ POMPA CALDAIA
	D 2	DIODO POMPA CALDAIA
	PMP 2	POMPA CALDAIA
	K 1E	RELÈ MOTORE GRUPPO CAFFÈ
	MG 1	MOTORE GRUPPO CAFFÈ
	N 1	LAMPADA NEON
	TA 1	TRASFORMATORE 230 / 26 / 9 / 30V - 220 VA
203	ES 1	ALIMENTAZIONE GETTONIERE EXECUTIVE
	MV 1	MOTORE ASPIRATORE
204	FU 4	FUSIBILE 2 A RITARDATO CIRCUITO 5 V
	FU 3	FUSIBILE 6,3 A RITARDATO CIRCUITO 24 V
	K 1C	RELÈ OFF ATTUATORI 24 V E MOTORE ASPIRATORE
	FU 6	FUSIBILE 5 A RITARDATO
	K 3E	RELÈ MOTORE MACININO CAFFÈ
	FB2506	PONTE RADDRIZZATORE A DIODI PER MOTORE MACININO CAFFÈ
	MM1	MOTORE MACININO CAFFÈ
	K 1C	BOBINA RELÈ OFF ATTUATORI 24 V E MOTORE ASPIRATORE
	K 2C	BOBINA RELÈ DI COMANDO AL RELÈ MOTORE GRUPPO CAFFÈ
K 3C	BOBINA RELÈ POMPA ALIMENTAZIONE AUTONOMA ACQUA	
206	K 1C	RELÈ OFF ATTUATORI 24 V E MOTORE ASPIRATORE
	EV 1	ELETTROVALVOLA RICARICA ACQUA
	Q 9C	TRANSISTOR ELETTROVALVOLA RICARICA ACQUA
207	MP 2	MOTORE PRODOTTO 2
	Q 5C	TRANSISTOR MOTORE PRODOTTO 2
	MP 3	MOTORE PRODOTTO 3
	Q 6C	TRANSISTOR MOTORE PRODOTTO 3
	MX 1	FRULLATORE 1
	Q 8C	TRANSISTOR FRULLATORE 1
	EV 2	ELETTROVALVOLA 1
	Q13C	TRANSISTOR ELETTROVALVOLA 1
208	MP 4	MOTORE PRODOTTO 4
	Q11C	TRANSISTOR MOTORE PRODOTTO 4
	MX 2	FRULLATORE 2
	Q14C	TRANSISTOR FRULLATORE 2
	EV 3	ELETTROVALVOLA 2
	Q15C	TRANSISTOR ELETTROVALVOLA 2

209	ES 2	ELETTROMAGNETE DOSATORE CAFFÈ
	Q 4C	TRANSISTOR ELETTROMAGNETE DOSATORE CAFFÈ
	EV 4	ELETTROVALVOLA INFUSIONE CAFFÈ
	Q 7C	TRANSISTOR ELETTROVALVOLA INFUSIONE CAFFÈ
	K 3E	BOBINA RELÈ MOTORE MACININO CAFFÈ
	Q12C	TRANSISTOR DI COMANDO AL RELÈ MOTORE MACININO CAFFÈ
	K 2E	BOBINA RELÈ POMPA CALDAIA
	Q10C	TRANSISTOR DI COMANDO AL RELÈ POMPA CALDAIA
	K 1E	BOBINA RELÈ MOTORE GRUPPO CAFFÈ
	K 2C	RELÈ DI COMANDO AL RELÈ MOTORE GRUPPO CAFFÈ
210	MP 1	MOTORE PRODOTTO 1
	Q 7D	TRANSISTOR MOTORE PRODOTTO 1
	M 6	MOTORE SGANCIO ZUCCHERO
	Q 8D	TRANSISTOR MOTORE SGANCIO ZUCCHERO
	M 3	MOTORE DISCESA BICCHIERE
	Q 3 D	TRANSISTOR MOTORE DISCESA BICCHIERE
	M 4	MOTORE CAMBIO COLONNA BICCHIERI
	Q 4 D	TRANSISTOR MOTORE CAMBIO COLONNA BICCHIERI
	M 5	MOTORE SUPPORTO BICCHIERE
	Q 5 D	TRANSISTOR MOTORE SUPPORTO BICCHIERE
	ES 3	ELETTROMAGNETE SGANCIO PALETTE
	Q 6 D	TRANSISTOR ELETTROMAGNETE SGANCIO PALETTE
211	SW 1	SWITCH DOSE DI CAFFÈ MACINATO
	SW 2	SWITCH POSIZIONE DI RIPOSO GRUPPO CAFFÈ
	SW 3	SWITCH PRESENZA GRUPPO CAFFÈ
	SW 7	SWITCH POSIZIONE SGANCIO ZUCCHERO
	CV 1	CONTATORE VOLUMETRICO ACQUA CAFFÈ
	S 1	SONDA LIVELLO SECCHIO RIFIUTI LIQUIDI PIENO
	S 2	SONDA LIVELLO ACQUA CALDAIA
212	TC1	SENSORE TEMPERATURA ACQUA CALDAIA
213	P1 ÷ P10	PULSANTI SELEZIONE BEVANDE
214	PR	PULSANTE DI ABILITAZIONE PROGRAMMAZIONE, PROVA SELEZIONI E LAVAGG
215	SW 4	SWITCH POSIZIONE DI RIPOSO MOTORE DISCESA BICCHIERI
	SW 5	SWITCH POSIZIONE 0 SUPPORTO BICCHIERE
	SW 6	SWITCH POSIZIONE 1 SUPPORTO BICCHIERE
	OS 3	SENSORE PRESENZA BICCHIERE
	OS 4	SENSORE POSIZIONE COLONNA BICCHIERE

POS.	SIGLE	APPELLATION DES PIECES
200	FU1-FU2	FUSIBLES PRINCIPAUX 6,3 A A RETARDEMENT
	IG	INTERRUPTEUR GENERAL
	SWD	INTERRUPTEUR DE SECURITE PORTE
	F	FILTRE ANTI-INTERFERENCE
201	Q16P	THERMOSTAT CHAUDIERE
	TMS1	DISPOSITIF THERMIQUE D'ARRET CHAUDIERE AVEC RETABLISSEMENT MANUEL
	RB 1	RESISTANCE CHAUDIERE
	K 3C	RELAIS POMPE D'ALIMENTATION AUTONOME
	D 1	DIODE POUR POMPE
	PMP 1	POMPE D'ALIMENTATION AUTONOME
202	FU 5	FUSIBLE A RETARDEMENT 5 A CIRCUIT 230 V
	K 2E	RELAIS POMPE CHAUDIERE
	D 2	DIODE POMPE CHAUDIERE
	PMP 2	POMPE CHAUDIERE
	K 1E	RELAIS MOTEUR GROUPE CAFÉ
	MG 1	MOTEUR GROUPE CAFÉ
	N 1	LAMPE NEON
	TA 1	TRANSFORMATEUR 230 / 26 / 9 / 30 V - 220 VA
203	ES 1	ALIMENTATION BOITE A JETONS EXECUTIVE
	MV 1	MOTEUR ASPIRATEUR
204	FU 4	FUSIBLE A RETARDEMENT 2 A CIRCUIT 5 V
	FU 3	FUSIBLE A RETARDEMENT 6,3 A CIRCUIT 24 V
	K 1C	RELAIS OFF ACTIVEURS 24 V ET MOTEUR ASPIRATEUR
	FU 6	FUSIBLE A RETARDEMENT 5 A
	K 3E	RELAIS MOTEUR MOULIN A CAFÉ
	FB2506	PONTE RADDRESSEUR A DIODES POUR MOTEUR MOULIN A CAFÉ
	MM1	MOTEUR MOULIN A CAFÉ
	K 1C	BOBINE RELAIS OFF ACTIVEURS 24 V ET MOTEUR ASPIRATEUR
	K 2C	BOBINE RELAIS COMMANDE DU RELAIS MOTEUR GROUPE CAFÉ
K 3C	BOBINE RELAIS POMPE D'ALIMENTATION AUTONOME	
206	K 1C	RELAIS OFF ACTIVEURS 24 V ET MOTEUR ASPIRATEUR
	EV 1	ELECTROVANNE RECHARGEMENT EAU
	Q 9C	TRANSISTOR ELECTROVANNE RECHARGEMENT EAU
207	MP 2	MOTEUR PRODUIT 2
	Q 5C	TRANSISTOR MOTEUR PRODUIT 2
	MP 3	MOTEUR PRODUIT 3
	Q 6C	TRANSISTOR MOTEUR PRODUIT 3
	MX 1	MIXEUR 1
	Q 8C	TRANSISTOR MIXEUR 1
	EV 2	ELECTROVANNE 1
Q13C	TRANSISTOR ELECTROVANNE 1	
208	MP 4	MOTEUR PRODUIT 4
	Q11C	TRANSISTOR MOTEUR PRODUIT 4
	MX 2	MIXEUR 2
	Q14C	TRANSISTOR MIXEUR 2
	EV 3	ELECTROVANNE 2
Q15C	TRANSISTOR ELECTROVANNE 2	

209	ES 2	ELECTROAIMANT DOSEUR CAFÉ
	Q 4C	TRANSISTOR ELECTROAIMANT DOSEUR CAFÉ
	EV 4	ELECTROVANNE INFUSION CAFÉ
	Q 7C	TRANSISTOR ELECTROVANNE INFUSION CAFÉ
	K 3E	BOBINE RELAIS MOTEUR MOULIN A CAFÉ
	Q12C	TRANSISTOR COMMANDE RELAIS MOTEUR MOULIN A CAFÉ
	K 2E	BOBINE RELAIS POMPE CHAUDIERE
	Q10C	TRANSISTOR COMMANDE RELAIS POMPE CHAUDIERE
	K 1E	BOBINE RELAIS MOTEUR GROUPE CAFÉ
	K 2C	RELAIS COMMANDE RELAIS MOTEUR GROUPE CAFÉ
210	MP 1	MOTEUR PRODUIT 1
	Q 7D	TRANSISTOR MOTEUR PRODUIT 1
	M 6	MOTEUR DECROCHAGE SUCRE
	Q 8D	TRANSISTOR MOTEUR DECROCHAGE SUCRE
	M 3	MOTEUR CHUTE GOBELET
	Q 3 D	TRANSISTOR MOTEUR CHUTE GOBELET
	M 4	MOTEUR CHANGE COLONNE GOBELET
	Q 4 D	TRANSISTOR MOTEUR CHANGE COLONNE GOBELET
	M 5	MOTEUR SUPPORT GOBELET
	Q 5 D	TRANSISTOR MOTEUR SUPPORT GOBELET
	ES 3	ELECTROAIMANT DECROCHAGE PALETTES
	Q 6 D	TRANSISTOR ELECTROAIMANT DECROCHAGE PALETTES
211	SW 1	SWITCH DOSE CAFÉ MOULU
	SW 2	SWITCH POSITION GROUPE CAFÉ
	SW 3	SWITCH PRESENCE GROUPE CAFÉ
	SW 7	SWITCH POSITION DE REPOS DECROCHAGE SUCRE
	CV 1	COMPTEUR VOLUMETRIQUE EAU CAFÉ
	S 1	SONDE NIVEAU SEAU DE RAMASSAGE DES LIQUIDES PLEIN
	S 2	SONDE NIVEAU EAU CHAUDIERE
212	TC1	SENSORE TEMPERATURE EAU CHAUDIERE
213	P1 ÷ P10	TOUCHES SELECTION BOISSONS
214	PR	TOUCHE ABILITATION PROGRAMMATION, D'ESSAIS SELECTIONS ET LAVAGES
215	SW 4	SWITCH POSITION DE REPOS MOTEUR CHUTE GOBELETS
	SW 5	SWITCH POSITION 0 SUPPORT GOBELET
	SW 6	SWITCH POSITION 1 SUPPORT GOBELET
	OS 3	PHOTO-CELLULE PRESENCE GOBELET
	OS 4	PHOTO-CELLULE POSITION COLONNE GOBELETS

POS.	SIGLA	DENOMINACIÓN COMPONENTE
200	FU1-FU2	FUSIBLES PRINCIPALES 6,3 A
	IG	INTERRUPTOR GENERAL
	SWD	INTERRUPTOR DE SEGURIDAD PUERTA
	F	FILTRO ANTIDISTURBIO
201	Q16P	TERMOSTATO CALDERA
	TMS1	INTERRUPTOR TÉRMICO DE SEGURIDAD CALDERA
	RB 1	RESISTENCIA CALDERA
	K 3C	RELÈ BOMBA D'ALIMENTACION AUTONOMA
	D 1	DIODO PAR LA BOMBA
	PMP 1	BOMBA D'ALIMENTACION AUTONOMA
202	FU 5	FUSIBLE 5 A RETARDADO CIRCUITO 230 V
	K 2E	RELÈ BOMBA CALDERA
	D 2	DIODO BOMBA CALDERA
	PMP 2	BOMBA CALDERA
	K 1E	RELÈ MOTOR GRUPO CAFÉ
	MG 1	MOTOR GRUPO CAFÉ
	N 1	LAMPARA NEON
	TA 1	TRANSFORMADOR 230 / 26 / 9 / 30 V - 220 VA
203	ES 1	ALIMENTACION MONEDERO EXECUTIVE
	MV 1	MOTOR ASPIRADOR
204	FU 4	FUSIBLE 2 A RETARDADO CIRCUITO 5 V
	FU 3	FUSIBLE 6,5 A RETARDADO CIRCUITO 24 V
	K 1C	RELÈ OFF ACTUACION 24 V Y MOTOR ASPIRADOR
	FU 6	FUSIBLE 5 A RETARDADO
	K 3E	RELÈ MOTOR MOLINILLO CAFÉ
	FB2506	PONTE ENDEREZADOR DIODOS POR EL MOTOR MOLINILLO CAFÉ
	MM1	MOTOR MOLINILLO CAFÉ
	K 1C	BOBINA RELÈ OFF ACTUACION 24 V Y MOTOR ASPIRADOR
	K 2C	BOBINA RELÈ COMANDO RELÈ MOTOR GRUPO CAFÉ
	K 3C	BOBINA RELÈ BOMBA D'ALIMENTACION AUTONOMA
206	K 1C	RELÈ OFF ACTUACION 24 V Y MOTOR ASPIRADOR
	EV 1	ELECTROVÁLVULA RECARGA AGUA
	Q 9C	TRANSISTOR ELECTROVÁLVULA RECARGA AGUA
207	MP 2	MOTOR PRODUCTO 2
	Q 5C	TRANSISTOR MOTOR PRODUCTO 2
	MP 3	MOTOR PRODUCTO 3
	Q 6C	TRANSISTOR MOTOR PRODUCTO 3
	MX 1	BATIDOR 1
	Q 8C	TRANSISTOR BATIDOR 1
	EV 2	ELECTROVÁLVULA 1
	Q13C	TRANSISTOR ELECTROVÁLVULA 1
208	MP 4	MOTOR PRODUCTO 4
	Q11C	TRANSISTOR MOTOR PRODUCTO 4
	MX 2	BATIDOR 2
	Q14C	TRANSISTOR BATIDOR 2
	EV 3	ELECTROVÁLVULA 2
	Q15C	TRANSISTOR ELECTROVÁLVULA 2

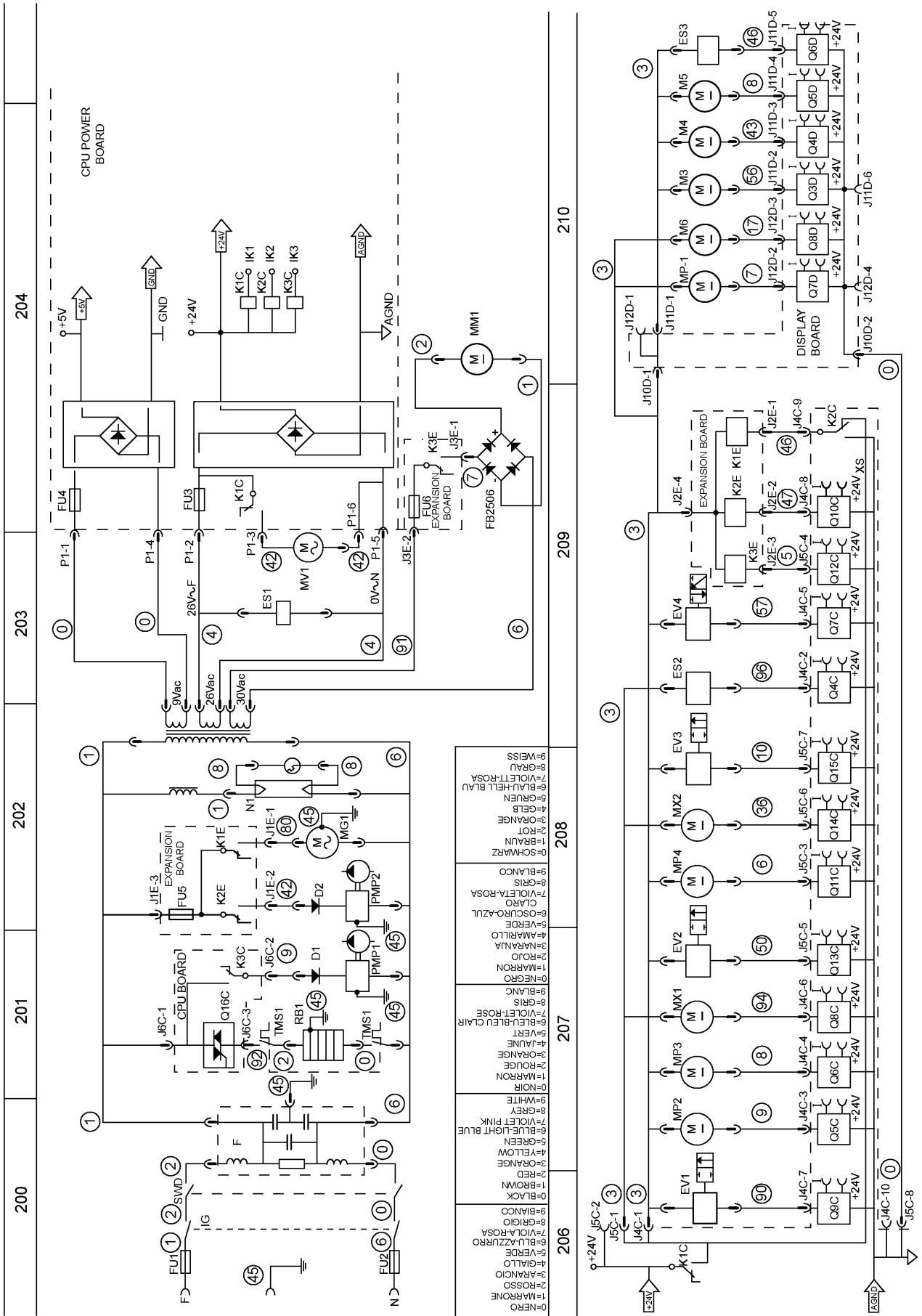
209	ES 2 Q 4C EV 4 Q 7C K 3E Q12C K 2E Q10C K 1E K 2C	ELECTROAIMÁN DOSIFICADOR CAFÉ TRANSISTOR ELECTROAIMÁN DOSIFICADOR CAFÉ ELECTROVÁLVULA INFUSION CAFÉ TRANSISTOR ELECTROVÁLVULA INFUSION CAFÉ BOBINA RELÈ MOTOR MOLINILLO CAFÉ TRANSISTOR COMANDO RELÈ MOTOR MOLINILLO CAFÉ BOBINA RELÈ BOMBA CALDERA TRANSISTOR COMANDO RELÈ BOMBA CALDERA BOBINA RELÈ MOTOR GRUPO CAFÉ RELÈ COMANDO RELÈ MOTOR GRUPO CAFÉ
210	MP 1 Q 7D M 6 Q 8D M 3 Q 3 D M 4 Q 4 D M 5 Q 5 D ES 3 Q 6 D	MOTOR PRODUCTO 1 TRANSISTOR MOTOR PRODUCTO 1 MOTOR DESENGANCHE AZÚCAR TRANSISTOR MOTOR DESENGANCHE AZÚCAR MOTOR FALTA VASO TRANSISTOR MOTOR FALTA VASO MOTOR CAMBIO COLUMNA VASO TRANSISTOR MOTOR CAMBIO COLUMNA VASO MOTOR SOPORTE VASO TRANSISTOR MOTOR SOPORTE VASO ELECTROIMÁN DESENGANCHE PALETINAS TRANSISTOR ELECTROIMÁN DESENGANCHE PALETINAS
211	SW 1 SW 2 SW 3 SW 7 CV 1 S 1 S 2	SWITCH DOSIS CAFÉ MOLIDO SWITCH POSICION GRUPO CAFÉ SWITCH PRESENCIA GRUPO CAFÉ SWITCH POSICION DE REPOSO DESENGANCHE AZÚCAR CONTADOR VOLUMETRICO AGUA CAFÉ SONDA NIVEL BALDE DE DESECHOS LÍQUIDOS NIVEL MÁXIMO SONDA NIVEL AGUA CALDERA
212	TC1	SENSOR TEMPERATURA AGUA CALDERA
213	P1 ÷ P10	TECLAS SELECCION BEBIDAS
214	PR	PULSADOR ABILITACION PROGRAMACIÓN, PRUEBA SELECCIONES Y LAVADO.
215	SW 4 SW 5 SW 6 OS 3 OS 4	SWITCH POSICION DE RIPOSO MOTOR FALTA VASOS SWITCH POSICION 0 SOPORTE VASO SWITCH POSICION 1 SOPORTE VASO SENSOR FALTA VASOS SENSOR POSICIÓN COLUMNA VASOS

POS.	CODE	PART DESCRIPTION
200	FU1-FU2	MAIN FUSES 6,3 A DELAYED
	IG	GENERAL SWITCH
	SWD	DOOR SAFETY SWITCH
	F	ANTI-NOISE FILTER
201	Q16P	BOILER THERMOSTAT
	TMS1	BOILER INTERRUPTION THERMAL DEVICE WITH MANUAL RESET
	RB 1	BOILER RESISTANCE
	K 3C	SELF WATER TANK PUMP RELAY
	D 1	PUMP DIODE
	PMP 1	SELF WATER TANK PUMP
202	FU 5	CIRCUIT FUSE 230 V 5 A DELAYED
	K 2E	BOILER PUMP RELAY
	D 2	DIODE FOR PUMP
	PMP 2	VIBRATION PUMP
	K 1E	COFFEE BREWER MOTOR RELAY
	MG 1	COFFEE BREWER MOTOR
	N 1	NEON LAMP
	TA 1	TRANSFORMER 230 / 26 / 9 / 30 V - 220 VA
203	ES 1	EXECUTIVE COIN MECHANISM POWER SUPPLY
	MV 1	ASPIRATOR MOTOR
204	FU 4	CIRCUIT FUSE 5 V 2 A DELAYED
	FU 3	CIRCUIT FUSE 24 V 6,3 A DELAYED
	K 1C	OFF 24 V ACTUATORS AND ASPIRATOR MOTOR RELAY
	FU 6	FUSE 5 A DELAYED
	K 3E	COFFEE GRINDER MOTOR RELAY
	FB2506	DIODES RECTIFIER BRIDGE FOR THE COFFEE GRINDER MOTOR
	MM1	COFFEE GRINDER MOTOR
	K 1C	OFF 24 V ACTUATORS AND ASPIRATOR MOTOR RELAY SOLENOID
	K 2C	CONTROL RELAY SOLENOID OF THE COFFEE BREWER MOTOR RELAY
K 3C	SELF WATER TANK PUMP RELAY SOLENOID	
206	K 1C	OFF 24 V ACTUATORS AND ASPIRATOR MOTOR RELAY
	EV 1	WATER REFILLING SOLENOID VALVE
	Q 9C	WATER REFILLING SOLENOID VALVE TRANSISTOR
207	MP 2	PRODUCT MOTOR 2
	Q 5C	PRODUCT MOTOR 2 TRANSISTOR
	MP 3	PRODUCT MOTOR 3
	Q 6C	PRODUCT MOTOR 3 TRANSISTOR
	MX 1	MIXER 1
	Q 8C	MIXER 1 TRANSISTOR
	EV 2	SOLENOID VALVE 1
Q13C	SOLENOID VALVE 1 TRANSISTOR	
208	MP 4	PRODUCT MOTOR 4
	Q11C	PRODUCT MOTOR 4 TRANSISTOR
	MX 2	MIXER 2
	Q14C	MIXER 2 TRANSISTOR
	EV 3	SOLENOID VALVE 2
Q15C	SOLENOID VALVE 2 TRANSISTOR	

209	ES 2	COFFEE DOSER ELECTROMAGNET
	Q 4C	COFFEE DOSER ELECTROMAGNET TRANSISTOR
	EV 4	COFFEE INFUSION WATER SOLENOID VALVE
	Q 7C	COFFEE INFUSION WATER SOLENOID VALVE TRANSISTOR
	K 3E	COFFEE GRINDER MOTOR RELAY SOLENOID
	Q12C	CONTROL TRANSISTOR OF THE COFFEE GRINDER MOTOR RELAY
	K 2E	BOILER PUMP RELAY SOLENOID
	Q10C	CONTROL TRANSISTOR OF THE BOILER PUMP RELAY
	K 1E	COFFEE BREWER MOTOR RELAY SOLENOID
	K 2C	CONTROL RELAY OF THE COFFEE BREWER MOTOR RELAY
210	MP 1	PRODUCT MOTOR 1
	Q 7D	PRODUCT MOTOR 1 TRANSISTOR
	M 6	SUGAR MOVEMENT MOTOR
	Q 8D	SUGAR MOVEMENT MOTOR TRANSISTOR
	M 3	CUP FALL MOTOR
	Q 3 D	CUP FALL MOTOR TRANSISTOR
	M 4	CUP COLUMN CHANGE MOTOR
	Q 4 D	CUP COLUMN CHANGE MOTOR TRANSISTOR
	M 5	CUP SUPPORT MOTOR
	Q 5 D	CUP SUPPORT MOTOR TRANSISTOR
	ES 3	STIRRER FALL ELECTROMAGNET
	Q 6 D	STIRRER FALL ELECTROMAGNET TRANSISTOR
211	SW 1	GROUND COFFEE DOSE SWITCH
	SW 2	COFFEE BREWER REST POSITION SWITCH
	SW 3	COFFEE BREWER PRESENCE SWITCH
	SW 7	SUGAR MOVEMENT REST POSITION SWITCH
	CV 1	COFFEE WATER VOLUMETRIC COUNTER
	S 1	FULL LIQUID WASTE DISPOSAL BUCKET PROBE
	S 2	BOILER WATER LEVEL PROBE
212	TC1	BOILER WATER TEMPERATURE SENSOR
213	P1 ÷ P10	DRINKS SELECTION BUTTONS
214	PR	PROGRAMMING MODE, SELECTION TEST AND CLEANING BUTTON
215	SW 4	CUP FALL REST POSITION SWITCH
	SW 5	CUP SUPPORT POSITION 0 SWITCH
	SW 6	CUP SUPPORT POSITION 1 SWITCH
	OS 3	CUP PRESENCE SENSOR
	OS 4	CUP COLUMN POSITION SENSOR

POS.	KODE	BENENNUNG
200	FU1-FU2	VERSPÄTETEN HAUPTSICHERUNGEN 6,3 A
	IG	HAUPTSCHALTER
	SWD	TÜRKONTAKTSCHALTER
	F	ENTSTÖRUNGSFILTER
201	Q16P	BOILER THERMOSTAT
	TMS1	MANUELLE RÜCKSTELLUNG KLICSON HEIZUNG BOILER
	RB 1	BOILER WIDERSTAND
	K 3C	WASSERVERSORGUNGSTANK PUMPE RELAIS
	D 1	DIODE FÜR PUMPE
	PMP 1	WASSERVERSORGUNGSTANK PUMPE
202	FU 5	VERSPÄTETE SICHERUNG 5 A SCHALTKREIS 230 V
	K 2E	BOILER PUMPE RELAIS
	D 2	BOILER PUMPE DIODE
	PMP 2	BOILER PUMPE
	K 1E	MOTOR KAFFEE-EINHEIT RELAIS
	MG 1	KAFFEE-EINHEIT MOTOR
	N 1	NEON LAMPE
	TA 1	TRANSFORMATOR 230 / 26 / 9 / 30 V - 220 VA
203	ES 1	EINSCHALTSIGNAL FÜR MECHANISCHES MÜNZEGÄRT EXECUTIVE
	MV 1	ABSORGVORRICHTUNG MOTOR
204	FU 4	VERSPÄTETE SICHERUNG 2 A SCHALTKREIS 5 V
	FU 3	VERSPÄTETE SICHERUNG 6,3 A SCHALTKREIS 24 V
	K 1C	RELAIS OFF 24 V UND ABSORGVORRICHTUNG MOTOR
	FU 6	VERSPÄTETE SICHERUNG 5 A
	K 3E	KAFFEEMÜHLE RELAIS
	FB2506	DIODBRÜCKE FÜR SCHALTKREISE MOTOR KAFFEEMÜHLE
	MM1	KAFFEEMÜHLE MOTOR
	K 1C	RELAIS OFF 24 V UND ABSORGVORRICHTUNG MOTOR
	K 2C	BEFEHL RELAIS FÜR MOTOR KAFFEE-EINHEIT RELAIS
	K 3C	WASSERVERSORGUNGSTANK PUMPE RELAIS
206	K 1C	RELAIS OFF 24 V UND ABSORGVORRICHTUNG MOTOR
	EV 1	NACHFÜLLVENTIL WASSER
	Q 9C	NACHFÜLLVENTIL WASSER TRANSISTOR
207	MP 2	PRODUKT MOTOR 2
	Q 5C	PRODUKT MOTOR 2 TRANSISTOR
	MP 3	PRODUKT MOTOR 3
	Q 6C	PRODUKT MOTOR 3 TRANSISTOR
	MX 1	MIXERMOTOR 1
	Q 8C	MIXERMOTOR 1 TRANSISTOR
	EV 2	ELEKTROVENTIL 1
	Q13C	ELEKTROVENTIL 1 TRANSISTOR
208	MP 4	PRODUKT MOTOR 4
	Q11C	PRODUKT MOTOR 4 TRANSISTOR
	MX 2	MIXERMOTOR 2
	Q14C	MIXERMOTOR 2 TRANSISTOR
	EV 3	ELEKTROVENTIL 2
	Q15C	ELEKTROVENTIL 2 TRANSISTOR

209	ES 2	ELEKTROMAGNET KAFFEEDOSIERBEHÄLTER
	Q 4C	TRANSISTOR ELEKTROMAGNET KAFFEEDOSIERBEHÄLTER
	EV 4	ELEKTROVENTIL AUFGUSS KAFFEE
	Q 7C	TRANSISTOR ELEKTROVENTIL AUFGUSS KAFFEE
	K 3E	KAFFEEMÜHLE RELAIS
	Q12C	BEFEHL TRANSISTOR FÜR KAFFEEMÜHLE RELAIS
	K 2E	BOILER PUMPE RELAIS
	Q10C	BEFEHL TRANSISTOR FÜR BOILER PUMPE RELAIS
	K 1E	MOTOR KAFFEE-EINHEIT RELAIS
	K 2C	BEFEHL RELAIS FÜR MOTOR KAFFEE-EINHEIT RELAIS
210	MP 1	PRODUKT MOTOR 1
	Q 7D	PRODUKT MOTOR 1 TRANSISTOR
	M 6	ZUCKERAUSGABE MOTOR
	Q 8D	ZUCKERAUSGABE MOTOR TRANSISTOR
	M 3	BECHERFALL MOTOR
	Q 3 D	BECHERFALL MOTOR TRANSISTOR
	M 4	BECHER KOLONNE WECHSEL MOTOR
	Q 4 D	BECHER KOLONNE WECHSEL MOTOR TRANSISTOR
	M 5	BECHERHALTER MOTOR
	Q 5 D	BECHERHALTER MOTOR TRANSISTOR
	ES 3	STÄBCHENFALL ELEKTROMAGNET
	Q 6 D	STÄBCHENFALL ELEKTROMAGNET TRANSISTOR
211	SW 1	MICROSCHALTER DOSIS GEMAHLEN KAFFEE
	SW 2	MICROSCHALTER WARTESTELLUNG KAFFEE-EINHEIT
	SW 3	MICROSCHALTER KAFFEE-EINHEIT
	SW 7	MICROSCHALTER WARTESTELLUNG ZUCKERFALL
	CV 1	KAFFEE WASSER VOLUMENZÄHLER
	S 1	SONDE ABFÜLLEIMER VOLL
	S 2	SONDE NACHFÜLLEINHEIT VOLL
212	TC1	TEMPERATUR FUEHLER BOILER SONDE
213	P1 ÷ P10	WAHLTASTUR GETRÄNKE
214	PR	SCHALTER BETÄTIGUNG PROGRAMMIERUNG
215	SW 4	MICROSCHALTER WARTESTELLUNG BECHER
	SW 5	MICROSCHALTER STELLUNG 0 BECHERHALTER
	SW 6	MICROSCHALTER STELLUNG 1 BECHERHALTER
	OS 3	LICHTSCHRANKE BECHER LEER
	OS 4	LICHTSCHRANKE MICROSCHALTER ENDESTELLUNG TURM



- 0=NERO
- 1=ARRON
- 2=ROSSO
- 3=ARANCIO
- 4=GIALLO
- 5=VERDE
- 6=BLU AZZURRO
- 7=VIOLETTA-ROSA
- 8=BIANCO
- 9=NERO
- 0=NOIR
- 1=MARRON
- 2=ROUGE
- 3=ORANGE
- 4=JAUNE
- 5=VERT
- 6=BLEU CLAIR
- 7=BLEU CLAIR
- 8=GRIS
- 9=BLANC
- 0=NERO
- 1=MARRON
- 2=ROULO
- 3=NARANJA
- 4=AMARILLO
- 5=VERDE
- 6=OSCURO-AZUL
- 7=VIOLETTA-ROSA
- 8=GRIS
- 9=BLANCO
- 0=SCHWARZ
- 1=BRÄUN
- 2=ROT
- 3=ORANGE
- 4=GELB
- 5=GRÜN
- 6=BLAU-HELL BLAU
- 7=VIOLETT-ROSA
- 8=GRÜ
- 9=WEISS

